



RECYCLING

At the end of its service life period the product should be recycled according to the recycling procedures in your region.

www.evapolar.com



The device complies with Part 15 of the FCC Rules. Operation is subject to the following two conditions: (1) This device may not cause harmful interference, and (2) this device must accept any interference received, including interference that may cause undesired operation.

© EVAPOLAR LTD. All rights reserved.

evapolar

evaSMART™ Personal Air Cooler PRODUCT GUIDE

CONTENTS

Introduction	4
Safety regulations	4
First start	7
Daily use	9
Placing the device	10
Moving and transportation	10
Temperature parameters	13
Usage mode	14
Tuning	14
Mobile application	15
Smart Home	15
Device Maintenance	15
Control panel and menu	16
Start screen	16
Menu points	17
Cleaning and maintenance	20
Reservoir	21
Replacing long periods of no usage	21
Replacing the cartridge	22
Troubleshooting	24
Warranty	25
Technical specifications	26
Legal information	27

INTRODUCTION

Congratulations!

You have bought your own personal evaSMART™ air cooler from Evapolar. To take full advantage of the device, please install the Evapolar Mobile Application and read the product guide before you start using it.

Intended use:

The evaSMART air cooler is designed to cool and humidify the personal zone around you by creating a local microclimate within an area of 3 - 4 m² (30 - 45 ft²). It also has a purification effect: filtering large dust particles from the air. evaSMART is operated through the mobile application, Smart Home integrations or with the device menu. The best effect can be achieved indoors and in well-ventilated rooms.

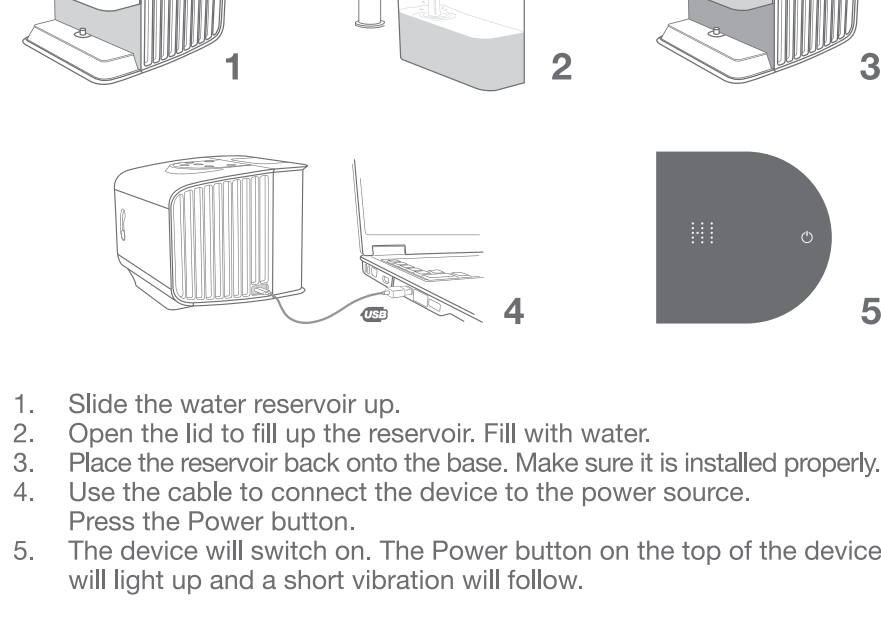
Safety regulations:

- Do not install water tank with water without cartridge inside.
- The device must be placed onto a smooth horizontal surface.
- Tilting it may cause a water leak and damage the device.
- Do not carry the device when it is filled with water. Even after you empty the reservoir, some water will still remain in the internal compartment. Please refer to the section of this manual about device transportation.

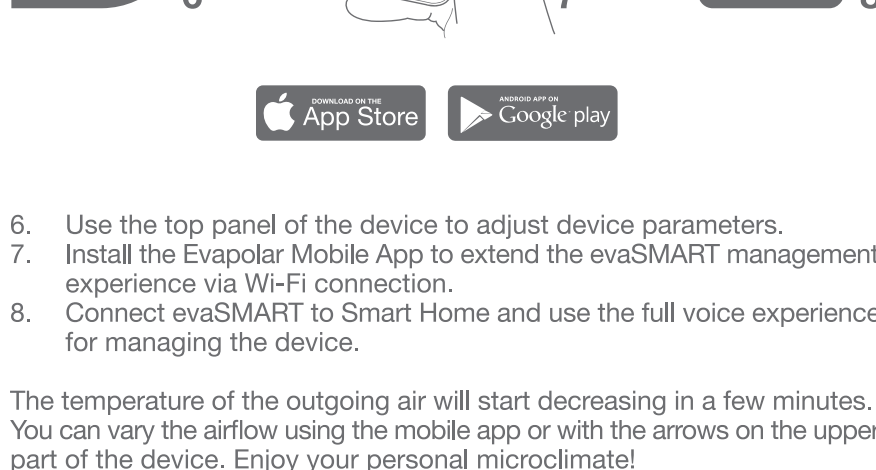
- For personal safety and proper functionality of the device you only clean, untainted tap water. If the source of water is polluted and you are not sure about its safety, please use distilled water. It is recommended to perform the cleaning and technical maintenance of the device according to the "Cleaning and maintenance" section of this product guide.
- The device is not intended for use in a highly polluted environment. Large dust particles, dirt, etc., can seriously affect the longevity of the device's evaporative cartridge lifecycle.
- Make sure that water does not spill onto the external parts of the device. Do not use it near water, in a swimming pool, bathroom, laundry room, outdoors when raining or at any other location with high humidity levels.
- In the case of a leak or if water spills onto the surface of the device, immediately disconnect the power cord and let the device dry for at least 24 hours.
- Do not place the device under direct sunlight.
- If you do not plan to use the device for a long time, empty the water reservoir and let the device run at maximum power for at least 4 hours to allow the cartridge to dry out.
- Use only the original power supply from the package.
- Do not touch the power supply or power cord with wet hands.
- Unplug the device during the following actions: cleaning, technical maintenance, removing/replacing elements and moving the device.
- To maximise the effect the device should be placed on an elevated surface, e.g. a table or a cupboard.
- Do not place the device next to a heater or within proximity of any electrical equipment.
- Do not place the device in passageways or any other location from where it will cause obstruction and can be accidentally knocked over.
- Do not let any foreign objects enter the device.
- Do not place heavy items on top of the device.

- Do not block the front and back grills of the device.
- Do not turn the device upside down; this will reduce its functionality.
- Do not submerge the device in water or any other liquids; see cleaning guide below.
- Do not place open fire sources (candles, etc.) on top of the device.
- People with limited physical, visual or mental abilities or lacking proper experience and/or knowledge should never use the device without the supervision of those responsible for their safety or those capable of assistance in using the device.
- The device can be switched off completely only when it is disconnected from the power supply.
- The manufacturer does not bear any responsibility for any damage arising from failure to comply with this product guide.
- A replaceable evaporative cartridge is designed specifically for this product. To maximise the effect of the device the cartridge should be changed every 3-6 months depending on air and water conditions. If your cartridge has been broken or damaged, you can purchase a replacement at Evapolar.com or with your local retailer.

FIRST START



- Slide the reservoir back up.
- Open the lid to fill up the reservoir. Fill with water.
- Place the device on power source. Make sure it is installed properly.
- Use the cable to connect the device to the power source. Press the Power button.
- The device will switch on. The Power button on the top of the device will light up and a short vibration will follow.

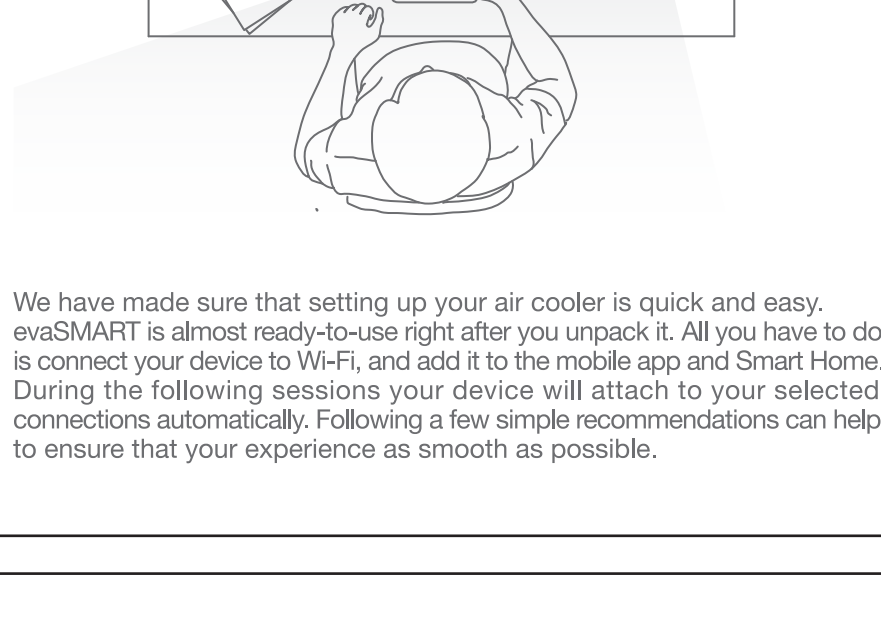


- Use the top panel of the device to adjust device parameters.
- Install the Evapolar Mobile App to extend the evaSMART management experience via Wi-Fi connection.
- Connect evaSMART to Smart Home and use the full voice experience for managing the device.

The temperature of the outgoing air will start decreasing in a few minutes. You can vary the airflow using the mobile app or with the arrows on the upper part of the device. Enjoy your personal microclimate!

Important: During the first use you may notice a technical smell. This is normal and it will vanish completely after several hours of use. When the first cartridge starts to fill, the evaporative pads will become rapidly saturated with water. This is normal and will enable your device to work properly.

DAILY USE



We have made sure that setting up your air cooler is quick and easy. evaSMART is almost ready-to-use right after you unpack it. All you have to do is connect your device to Wi-Fi, and add it to the mobile app and Smart Home. During the following sessions your device will attach to your selected connections automatically. Following a few simple recommendations can help to ensure that your experience as smooth as possible.

The air cooler creates a personal comfort zone. To be in the centre of that zone, place the device within one metre (3 ft) of your position with its front grill facing you. To keep the device from causing any obstructions, place it slightly to one side of your position. In this way, you will always have room for your laptop, book or anything else needed for your activities.

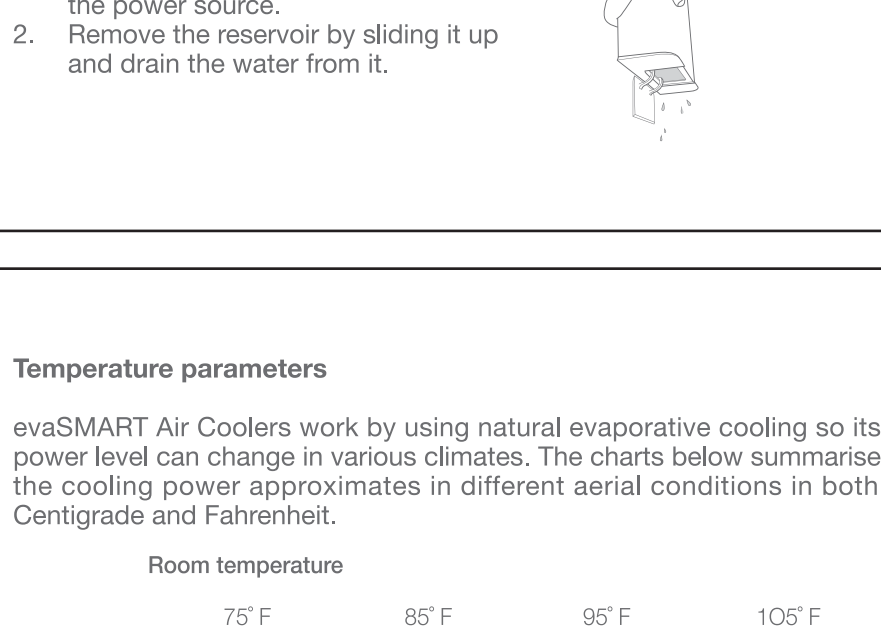
Filling the reservoir

The device only needs water to work properly. You should remove the reservoir from the left side of the device, fill it with water and then place it back. The water will start flowing automatically. Depending on the quality of the air in the room, the full reservoir should provide from 6 to 8 hours of uninterrupted cooling. To extend this time you need to fill up the reservoir, place it in the device, wait until the cartridge is full of water and then refill the reservoir. After this operation, the running time will be extended by 1 to 3 hours. For instance, this may be useful if you want to use the device whilst you sleep. The transparent reservoir lets you assess the water level instantly. It is worth mentioning that the evaporative cartridge will absorb up to 400 ml of water which means that once the reservoir is empty, the device will continue cooling for another few hours. The default mode will have the device notify you by illuminating the reservoir in red when the water runs out. You can turn off these notifications at any time via the mobile application. When the water runs out completely, the device will continue working as a regular ventilator. You can use the replaceable reservoir whilst the device is working as it will not affect its operation.

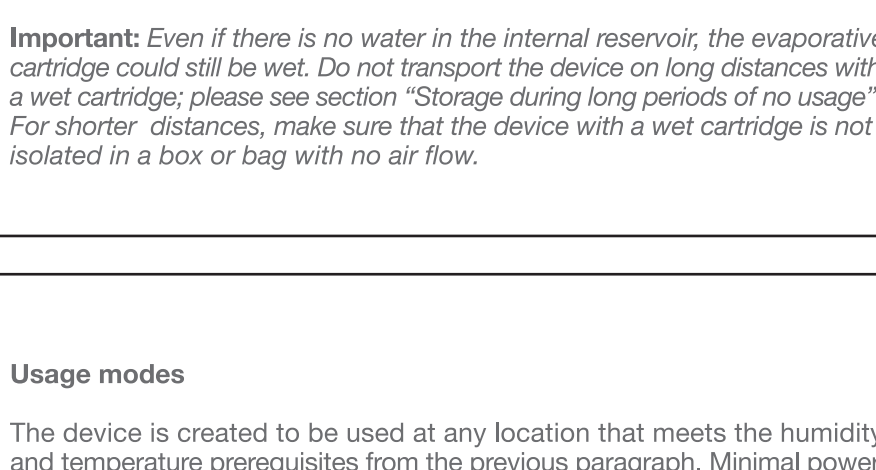
Moving and transportation

Before any kind of transportation, the device should be disconnected from the power source. In addition to the water in the transparent reservoir, the device also stores some water in the internal tank so that the evaporative

cartridge can absorb it. Before transportation, it is highly recommended to empty the reservoir and set the device to its maximum fan speed for at least one hour to dry the water out from the internal reservoir. Transportation without drying the water out from the internal reservoir is to be attempted at your own risk. Water leakage during the transportation is not covered by the warranty. In order to avoid leakage, the device should be positioned horizontally and moved slowly. In order to remove the water instantly from the internal reservoir and prepare device for transportation, please complete the following:



- Disconnect the device from the power source.
- Remove the reservoir by sliding it up and drain the water from it.



- Put the reservoir back in place.
- It is highly recommended to connect the device to power source again and set the device to run on the maximum fan speed for at least one hour afterwards to dry the water out from the internal reservoir.
- Disconnect the device from the power source. The device is ready for transportation.

Important: Even if there is no water in the internal reservoir, the evaporative cartridge could still be wet. Do not transport the device on long distances with a wet cartridge; please see section "Storage during long periods of no usage". For shorter distances, make sure that the device with a wet cartridge is not isolated in a box or bag with no air flow.

Temperature parameters

evaSMART Air Coolers work by using natural evaporative cooling so its power level can change in various climates. The charts below summarise the cooling power approximates in different aerial conditions in both Centigrade and Fahrenheit.

Room temperature		75° F	85° F	95° F	105° F
Indoor humidity	30%	59,3° F	56,6° F	72,1° F	78,9° F
	40%	62,0° F	69,0° F	75,5° F	82,4° F
	50%	64,5° F	71,6° F	79,1° F	86,7° F
	60%	67,1° F	75,0° F	82,9° F	90,8° F
	70%	69,6° F	77,9° F	86,0° F	94,2° F

Temperature of outgoing air, °F

Room temperature		25° C	30° C	35° C	40° C
Indoor humidity	30%	15,2° C	18,7° C	22,3° C	28,1° C
	40%	16,7° C	20,6° C	24,2° C	29,0° C
	50%	18,1° C	22,0° C	26,2° C	30,4° C
	60%	19,5° C	23,9° C	28,3° C	32,7° C
	70%	20,9° C	25,5° C	30,0° C	34,6° C

Temperature of outgoing air, °C

Usage modes

The device is created to be used at any location that meets the humidity and temperature prerequisites from the previous paragraph. Minimal power requirements allow the device to run even from a portable power bank. Required electricity parameters: voltage 5 V, current 2.5 A and up. **Important:** Due to outside conditions varying greatly, Evapolar is not responsible for the way that the device functions outdoors.

Tuning

You can alter the colour and brightness level of the lighting, temperature measurement units and water level indications. All of the above is done through the Menu or mobile application; see paragraph on Control Panel and Menu.

Mobile Application

The full list of device features, including humidifier and sleeping mode, is available through the mobile application that is connected to the device via Wi-Fi. All of the instructions for Evapolar mobile application usage are available in the application.

Smart Home

All of your evaSMART devices are accessible through Google Home, Amazon Alexa, Samsung Smart Things and Apple Home Kit. To do so, please read the manual of the Home Assistant that you wish to reach.

Device Maintenance

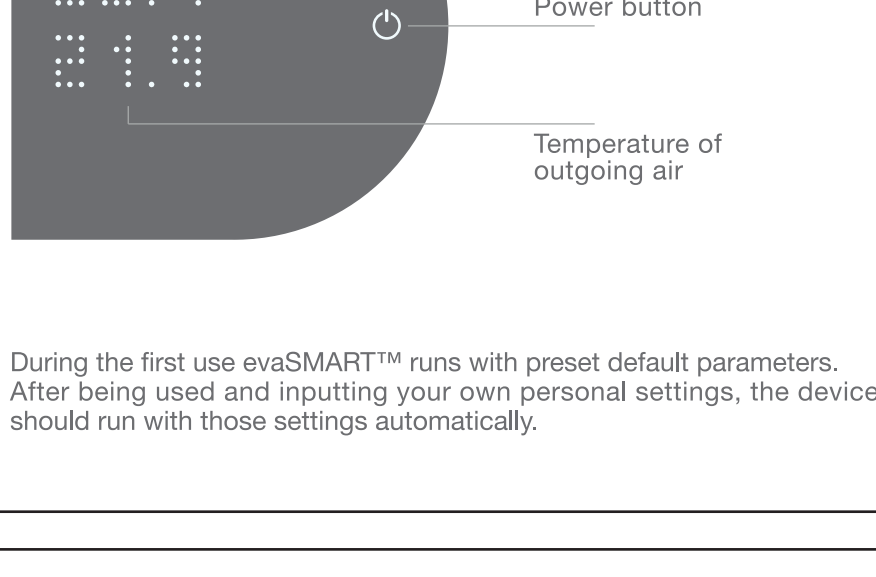
Depending on how often you use the device, it needs cleaning.

Important:

- Make sure that the air cooler is placed on a smooth horizontal surface to avoid leaks and spills.
- Do not use the device in temperatures exceeding 60° C (140° F). Failing to do so can damage both the body and internal components of the device.
- The Air Cooler performs at its best in well-ventilated premises.
- Take care when using aromatic oils or incenses. The device evaporates water intensively so even a small amount of odorous substances can oversaturate the air around you which is potentially dangerous to your health.
- To avoid water spillage, do not move the device whilst it is filled with water; see paragraph on Transportation.
- Take care when pouring water into the reservoir that it is still attached to the device; do not spill water onto the body of the device.

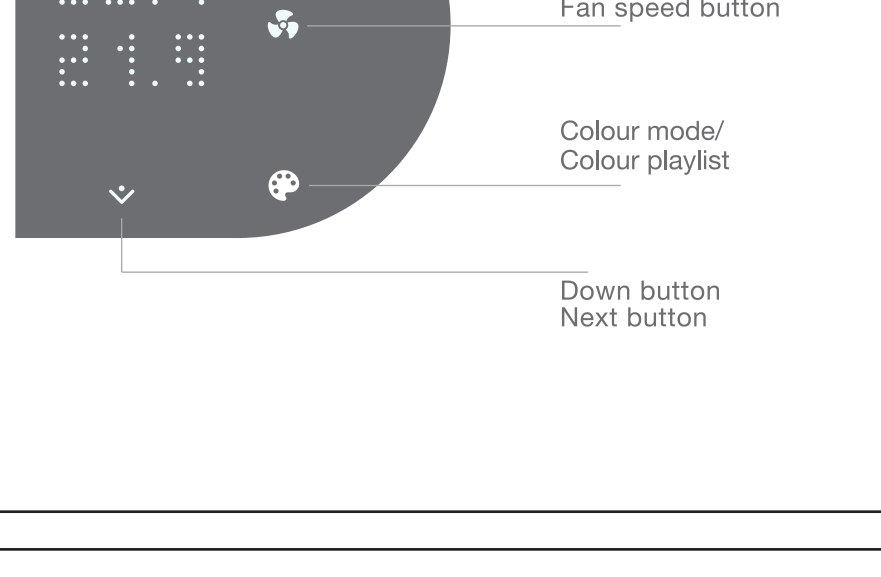
CONTROL PANEL & MENU

Start Screen



During the first use evaSMART™ runs with preset default parameters. After being used and inputting your own personal settings, the device should run with those settings automatically.

Control elements



Menu points

Brightness
In this mode you can change the water reservoir brightness to your liking. Press the sun button and use the arrows to change the values between 1% and 100%. To decrease or increase the brightness quickly, press and hold the arrow button. To adjust the night mode setting, use the mobile application.

Fan speed
In this mode you can change the fan speed to your liking. Press the fan button and use the arrows to change the values between 1% and 100%. To decrease or increase the speed quickly, press and hold the arrow button.

Power button

To switch the device on or off, press the power button. To switch to the Access point mode for Wi-Fi, press and hold the button for 3 seconds.



Colour button

You can choose your preferred lighting colour for the water reservoir or you may also turn off this feature. To enable a colour play mode, press the colour button and hold for 3 seconds.

Measurement units

For your convenience, units may either be in Centigrade or in Fahrenheit. To change the units, please use the mobile application.

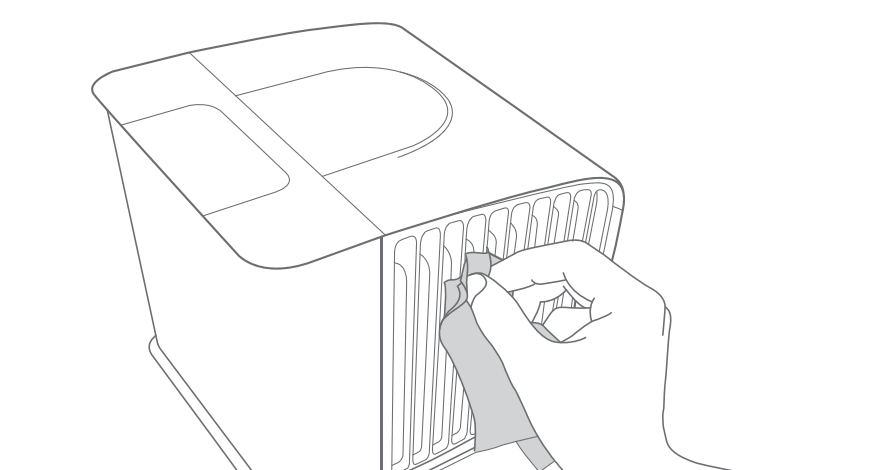
Factory settings

To restore the factory settings, press a combination of the arrow buttons and power button all at once and hold for 5 seconds.

Notifications

When the evaporative cartridge dries out, the device notifies you by changing its colour and showing the problem on the main screen. When the device requires more water, it will also display this info on the main screen. These notifications are supplemented with a long vibration of the device.

CLEANING AND MAINTENANCE



Reservoir

- The cleaning period depends on the level of dust in the area that you use your air cooler in.
- Prior to actual cleaning disconnect the device from the power source.
- Wipe the device grills with a soft cloth.
- Wash or wipe the reservoir.
- Put the device back together; it is now ready to use or store.

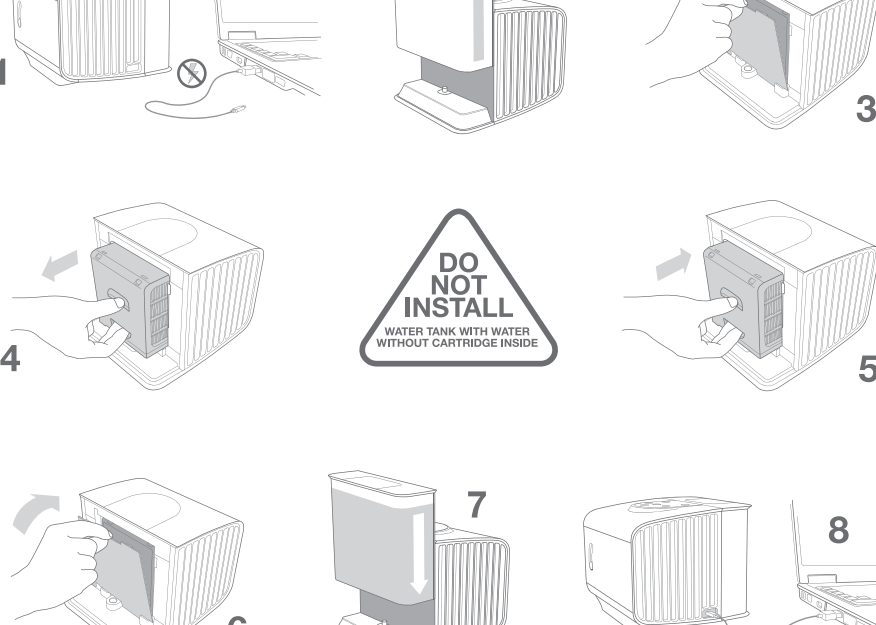
Storage during long periods of no usage

Clean the device (as above), dry it and place it into an appropriately-sized package for storage (original package is recommended). Store the device in a dry space at temperatures 18° - 25° C (64° - 77° F).

Important:

- Do not put the device or the cartridge into a bag, box or any container before it is completely dry.
- Fully replace the water in the reservoir at least once a week.
- Use a soft cloth to clean the device. Do not clean the device with gasoline, window-washing liquid or any organic solvent. Warranty does not cover damages caused by improper cleaning.
- Do not wipe the inside of the cartridge, just its outer plastic body.
- Do not put fingers into the internal camera when the device is in operation.

REPLACING THE CARTRIDGE



- Disconnect the device from a power source.
- Remove the reservoir by sliding it up.
- Pull out the safety panel to reach the cartridge.
- Take out the old cartridge by moving it forward.
- Place a new cartridge in place of the old one; this should fit easily as the new cartridge will have not yet expanded on previous use. Check the orientation and keep pushing until the cartridge is in the centre of the device.
- Put the safety panel back to hide the cartridge.
- Put the reservoir back in place.
- The device is ready to use.

Important:

- Do not install water tank with water without cartridge inside.
- Depending on usage and storage, the cartridge can last 3-6 months.
- Poor water quality reduces the longevity of the cartridge.
- The new cartridge can be stored for up to 3 years without losing its evaporation potential.
- Whilst replacing the cartridge, do not remove any parts other than those described in this guide.
- The built-in microchip monitors the lifespan of your cartridge. When the cartridge expands, the evaSMART air cooler turns red to remind you to change the cartridge.

TROUBLE SHOOTING

Problem	Possible cause	Solution
The device does not turn on	The device is not connected to power supply	Plug in the device
	The device has been turned off via the control panel	Touch and hold the power button
Cold air does not come out of the device	The airflow level is on the minimum setting	Increase the power using the lever on the control panel
	The device is out of water	Fill up the reservoir
The temperature drop is minimal	The device is out of water	Fill up the reservoir
	The cartridge has expired	Replace cartridge
	The humidity level in the room is over 70%	Ventilate the room
There is water near the device	The device has been pushed and dry the device as per the guide	Wipe the water out and dry the device as per the guide
	The device has been tilted	Place on a smooth horizontal surface and dry the device as per this guide

Problem	Possible cause	Solution
Water from the reservoir does not reach the evaporative cartridge	The reservoir has been placed into the device incorrectly	Take the reservoir out and place it vertically next to the device
Wi-Fi does not connect	Password was input incorrectly	Double-check the password that you have inputted
	Another cause	Write to us at support.evapolar.com to find the solution

WARRANTY

The distributor company selling the device determines the warranty duration and conditions. All air coolers undergo a thorough quality control. Devices and cartridges that are purchased at Evapolar.com fall under a 1-year warranty. The details are described on the website. Should you have any questions, feel free to write us at support.evapolar.com. The technical maintenance of the device should only be performed by a professional. Unprofessional service can lead to incapacitation of the device and is not covered by the warranty.

TECHNICAL SPECIFICATIONS

Other power sources	5 V / 2.5 A
Power consumption	12 W
Cooling power	100 - 400 W
Recommended cooling square/space	up to 4 m ² / 33 ft ²
Water tank capacity	1300 ml
Water refill cycle	every 6 - 8 hours
Size	184 x 217 x 207 mm
Weight (without water)	1820 g
Working noise level	25-40 dB
Energy Efficiency Ratio (EER)	21-37
Supplied accessories	Cartridge
Power cord	
Power adapter	
Working conditions	Temperature <70°C Humidity >18% Humidity <80%

LEGAL INFORMATION

The device complies with the requirements of EU Directives – as well as 2014/35/EU Low Voltage Directive and 2014/30/EU EMC Directive – and is fully compliant with the following European harmonised standards:

- EN 55014-1:2006/A1:2009/A2:2011 - Electromagnetic compatibility. Requirements for household appliances, electric tools and similar apparatus Part 1: Emission
- EN 55014-2:2015 - Electromagnetic compatibility. Requirements for household appliances, electric tools and similar apparatus. Part 2: Immunity. Product family standard
- EN 61000-3-2:2014 - Electromagnetic compatibility (EMC). Part 3-2: Limits. Limits for harmonic current emissions (equipment input current ≤16 A per phase)
- EN 61000-3-3:2013 - Electromagnetic compatibility (EMC). Part 3-3: Limits. Limitation of voltage changes, voltage fluctuations and flicker in public low-voltage supply systems, for equipment with rated current ≤16A per phase and not subject to conditional connection
- EN 60335-1:2012/AC:2014/A11:2014 - Household and similar electrical appliances. Safety. Part 1: General requirements
- EN 60335-2-40:2003/A11:2004/A12:2005/A13:2005/A14:2006/A15:2006/A2:2009/C2:2010/A13:2012/A13/A2013 - Household and similar electrical appliances. Safety. Part 2-40: Particular requirements for electrical heat pumps, air-conditioners and dehumidifiers.

The device is marked by the sticker on the inner surface of the device and contains the following data: manufacturers name \ product name \ serial number \ year of manufacture \ power settings (voltage, frequency, maximum power consumption, weight) \ CE marking.