



iKlip[®] A/V

Smartphone broadcast mount

USER MANUAL

Table of Contents

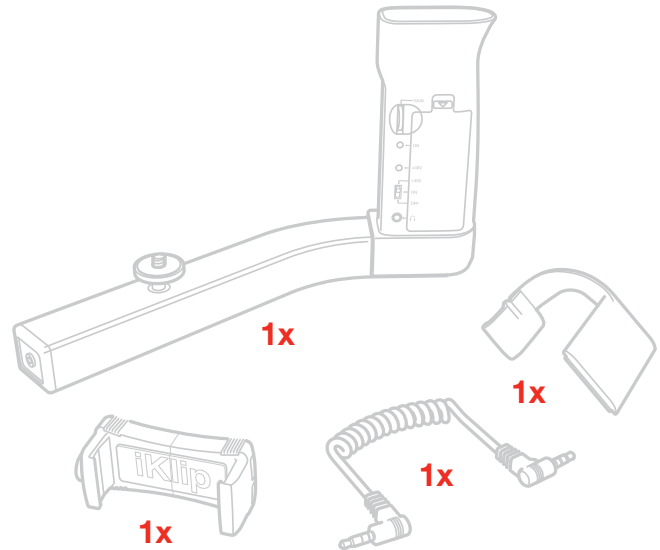
Contents	2
English	3
iKlip A/V	3
Register your iKlip A/V	4
iKlip A/V overview	4
Installation and setup	5
Specifications	11
Warranty	12
Support and more info	12

iKlip A/V

Thank you for purchasing iKlip A/V.

Your package contains

- iKlip A/V
- 1/8" TRRS cable
- Holding bracket
- Camera nut
- 2xAA
- Quick start guide
- Registration card



Lights... camera... action! Time to dramatically improve the audio quality of your mobile video productions. Presenting iKlip A/V, the first broadcast mount designed to help you record professional audio and video with your smartphone.

iKlip A/V has a high-end integrated XLR mic preamp with phantom power and built-in wireless receiver support — two standard AA batteries provide the power. It also lets you record a superior video picture thanks to its smartphone holder and hand-held grip. It works with any smartphone or camera that accepts a 1/8" TRRS (CTIA/AHJ wiring standard) audio input. With iKlip A/V, now you have the ability to use your smartphone like a full-featured camcorder.

iKlip A/V features a steady-shot grip and expandable holding bracket that shares the same technology as iKlip Xpand Mini, IK's popular mic stand support for smartphones. It can securely hold any iPhone, iPod touch or Android device with a screen size from 3.5" to 6". You can attach iKlip A/V to a monopod or tripod thanks to its standard female threads on the underside for even more stability. You can also remove the iKlip Xpand smartphone holder and attach other types of compact video cameras to its standard camera mount. No matter how you use it, iKlip A/V delivers effortlessly stable picture quality.

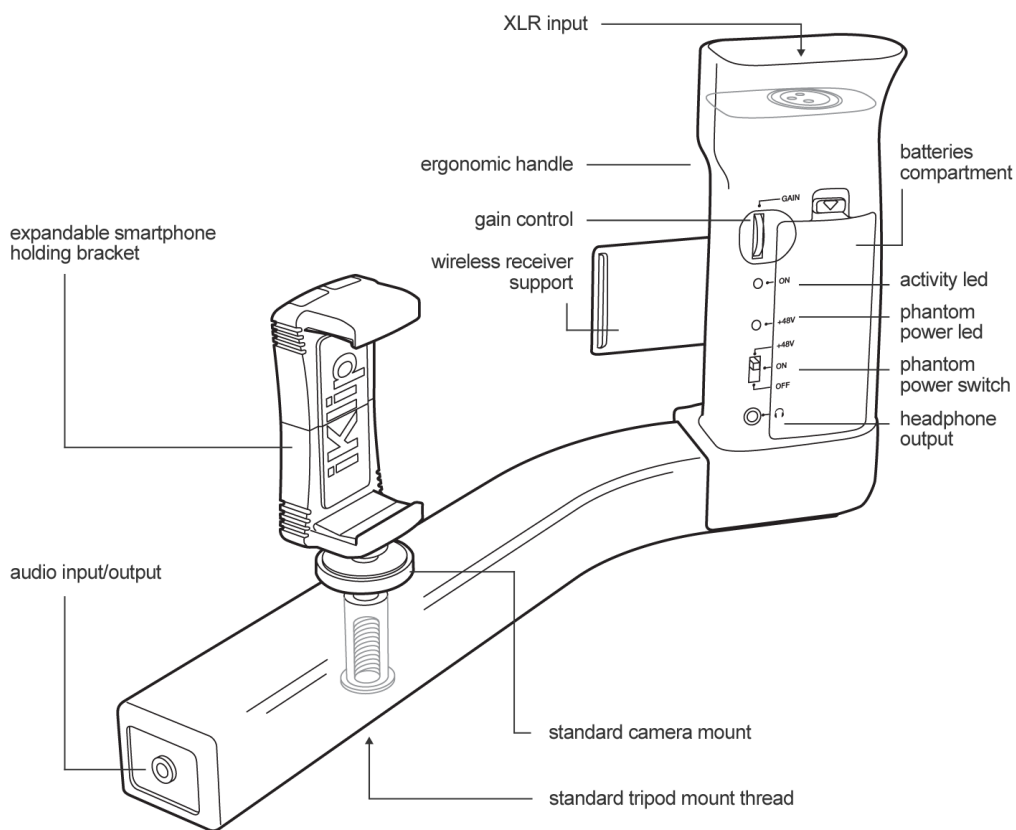
iKlip A/V is compatible with all popular mobile video recording apps. Including favorites like Apple's Camera app as well as third party apps that provide more control, like Filmic Pro, Filmakr, Horizon Camera or MoviePro.

Register your iKlip A/V

By registering, you can access technical support, activate your warranty and receive free JamPoints™ which will be added to your account. JamPoints™ allow you to obtain discounts on future IK purchases! Registering also keeps you informed of all the latest software updates and IK products.

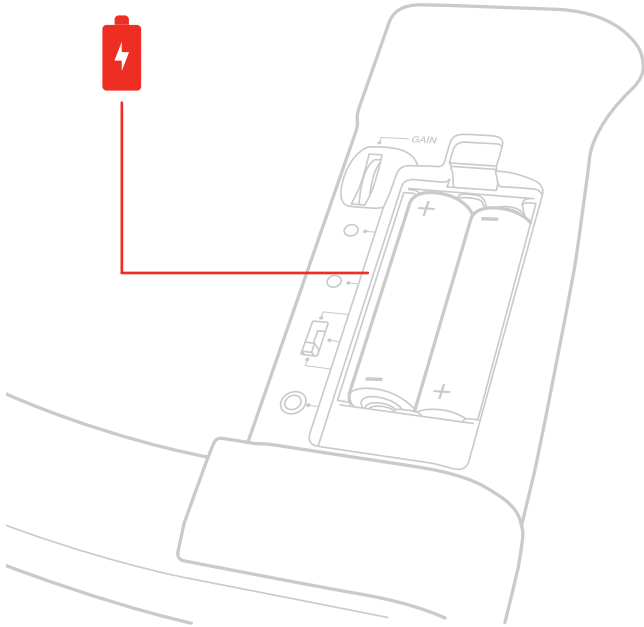
Register at: www.ikmultimedia.com/registration

iKlip A/V overview

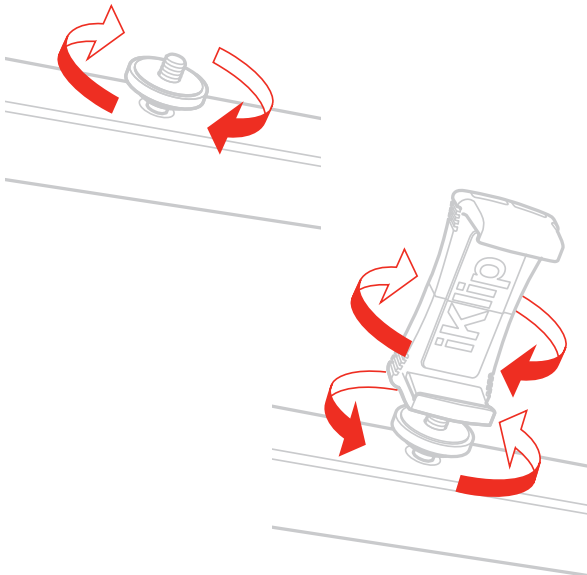


Installation and setup

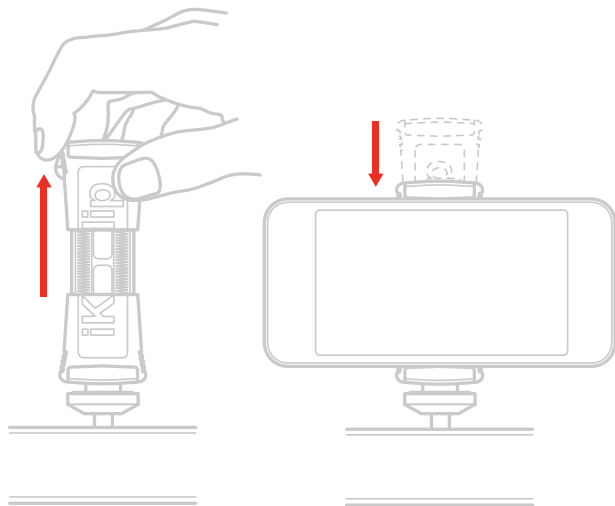
1. Insert the AA batteries into the Battery compartment on the handle of iKlip AV.



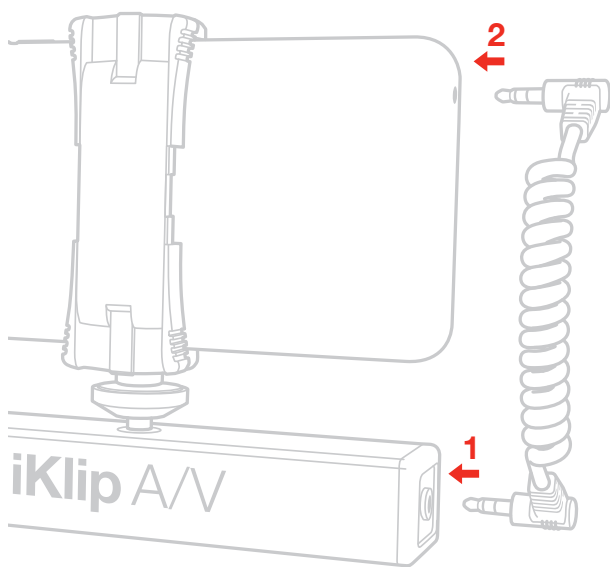
2. Tighten the camera nut and the holding bracket.



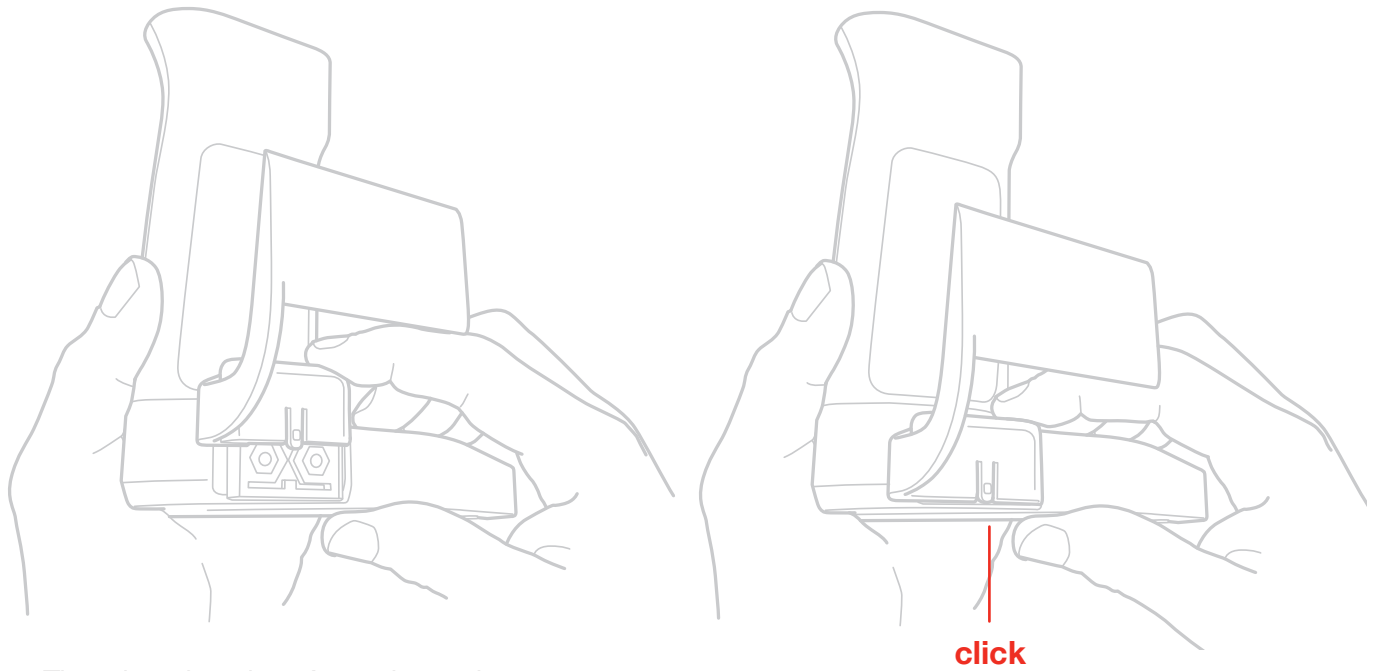
3. Insert your smartphone.



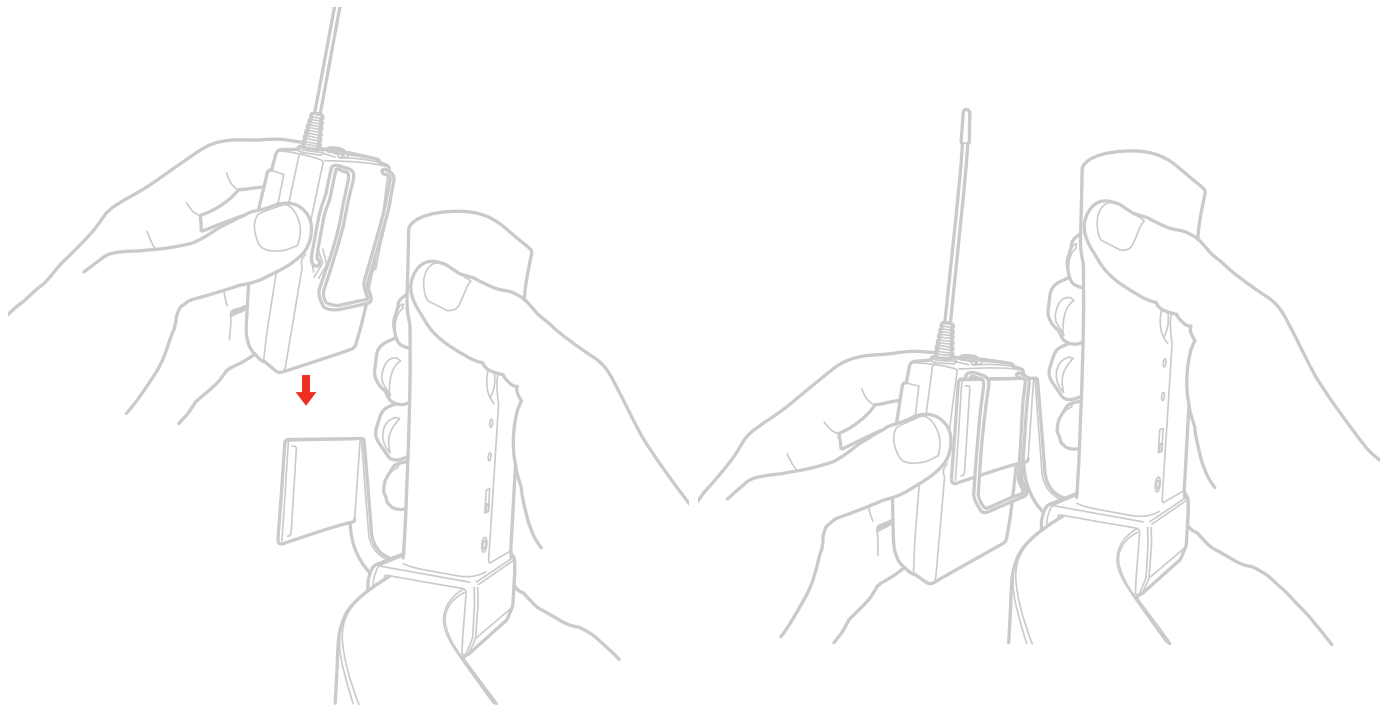
4. Connect the included TRRS cable to the iKlip AV and to the device headset port.



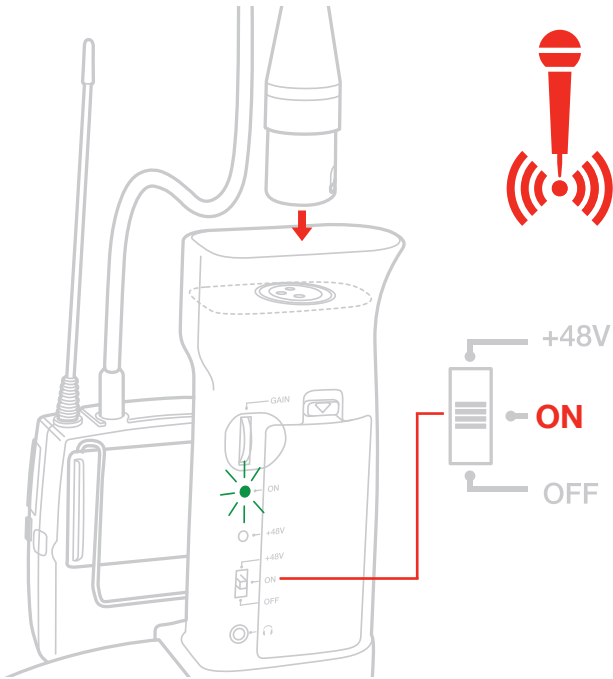
5. If you are using a wireless system, first fix the receiver support to the handle.



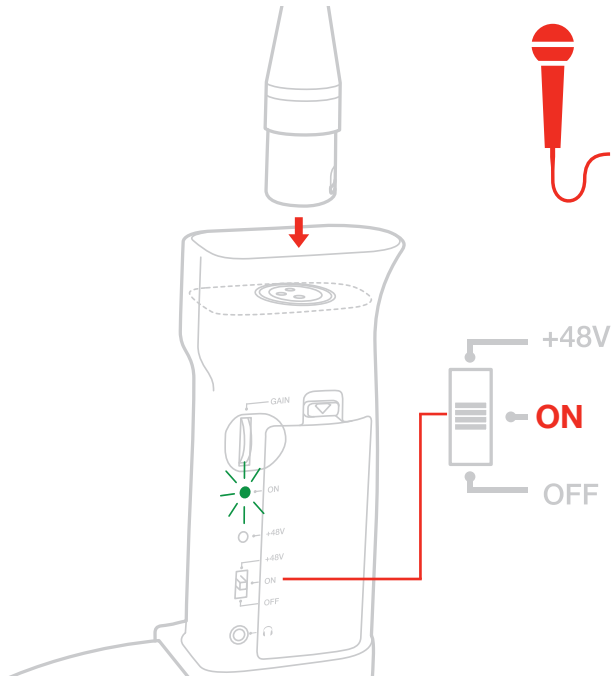
6. Then the microphone's receiver to it.



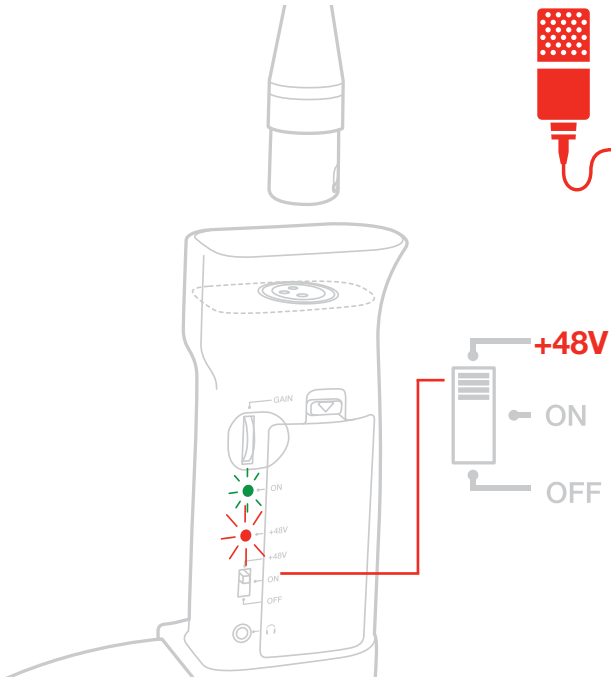
7. Connect the microphone to the XLR input. Turn the iKlip AV ON by sliding the power switch to the ON position. The green LED will light.



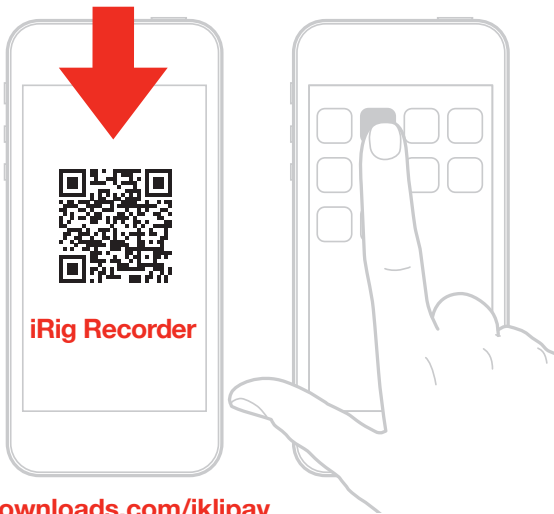
8. If you are using a wired dynamic microphone connect the microphone to the XLR input. Turn the iKlip AV ON by sliding the power switch to the ON position. The green LED will light.



9. If you are using a wired condenser microphone that requires phantom power, connect the microphone to the XLR input. Slide the power switch to the upper position (marked +48V) to turn phantom power ON. The red LED will light.

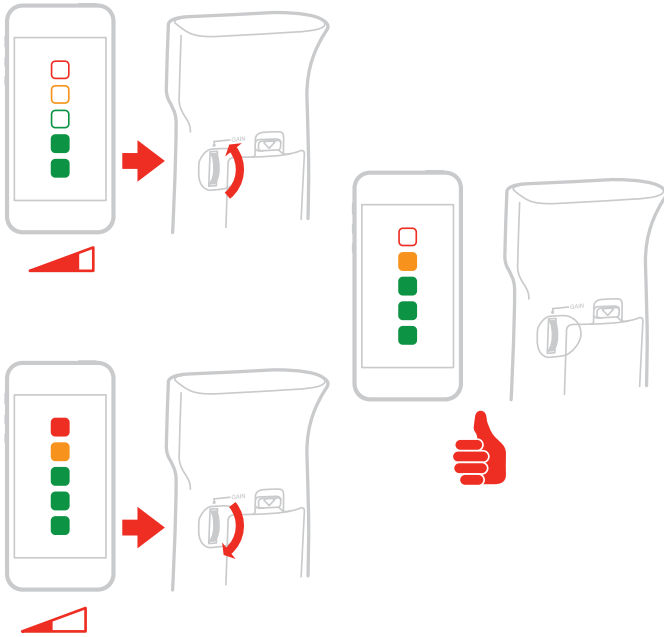


10. For audio recording and editing, download the iRig Recorder or the Vocalive apps from the App Store or the Google Play Store, and install them on your mobile device.

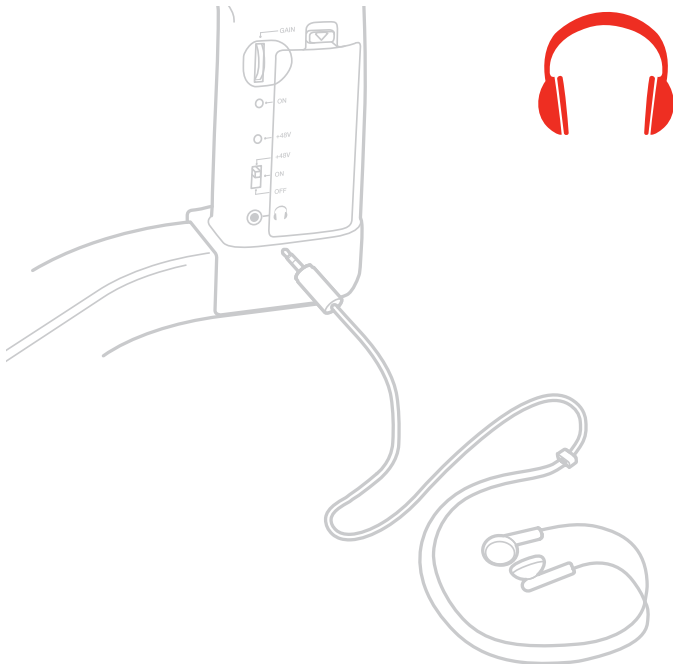


ikdownloads.com/iklipav

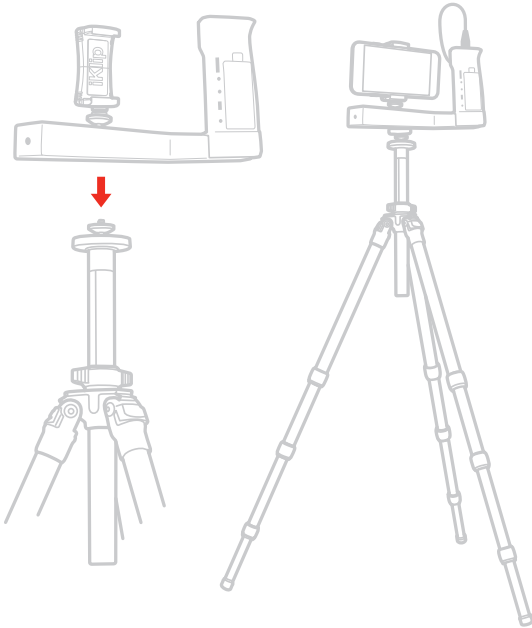
11. You are now able to record using your preferred microphone on your mobile device. To get optimal results, adjust the GAIN control appropriately. Check the input level meter on the app you are using to record (like iRig Recorder). This level meter should peak as high as possible but should never reach the maximum or clipping level. To increase the iKlip A/V gain, rotate the knob toward the top of the unit. To decrease the iKlip A/V gain, rotate the knob toward the bottom of the unit.



12. If you need to monitor what you are recording, connect your headphones to the headphone socket. Remember that this output replicates the mobile device headphone output, so you will hear audio here only with applications that support real-time input/output pass-through like iRig Recorder.



13. If needed, you can fix the iKlip AV to any camera tripod/stand, thanks to the female 1/4" thread located on the base.



Specifications

Holds any iPhone, iPod touch and Smartphone model with screens ranging in size from 3.5" to 6" with case on

Works with Digital Cameras, Field Recorders, and devices compatible with standard 1/4" UNC thread

Standard 1/4" UNC thread mount

Frequency response: from 20 Hz to 20 kHz +/- 1.5dB

Noise: -98 dB fullband, phantom power ON

Maximum output level: 2 Vrms

Distortion: 0.025% THD

Phantom max current: 6mA

Battery duration (Alkaline AA): approx 60 hours when phantom is off, approx 20 hours when phantom is on

Material: Thermoplastic / Aluminum

Warranty

Please visit:

www.ikmultimedia.com/warranty

for the complete warranty policy.

Support and more info

www.ikmultimedia.com/support

www.iklipav.com

IK Multimedia

IK Multimedia Production Srl

Via dell'Industria 46, 41122 Modena, Italy

Phone: +39-059-285496 - Fax: +39-059-2861671

IK Multimedia US LLC

1153 Sawgrass Corporate Parkway, Sunrise, FL 33323 Phone: 954-846-9101 - Fax: 954-846-9077

IK Multimedia Asia

TB Tamachi Bldg. 1F, MBE #709,

4-11-1 Shiba, Minato-ku, Tokyo 108-0014

www.ikmultimedia.com/contact-us

iKlip® A/V is a trademark or registered trademark property of IK Multimedia Production Srl. All other product names and images, trademarks and artists names are the property of their respective owners, which are in no way associated or affiliated with IK Multimedia.