

SLIK® SPRINT PRO III 3WAY

Specification

Max. operating height	1,605 mm (63.1 in)
Folded length	475 mm (18.7 in)
Max. center column ext.	300 mm (11.8 in)
Weight	1,180 g (2.61 lbs)

Operating Instructions

Thank you very much for choosing SLIK product. SLIK Corporation has designed to be a sturdy, rugged, dependable product that will provide you with many years of satisfactory use. Please take a few moments to read this operating instruction carefully before use so that you can take full advantage of many fine features. Retain this operating instruction in case you might want to ref

⚠ Caution

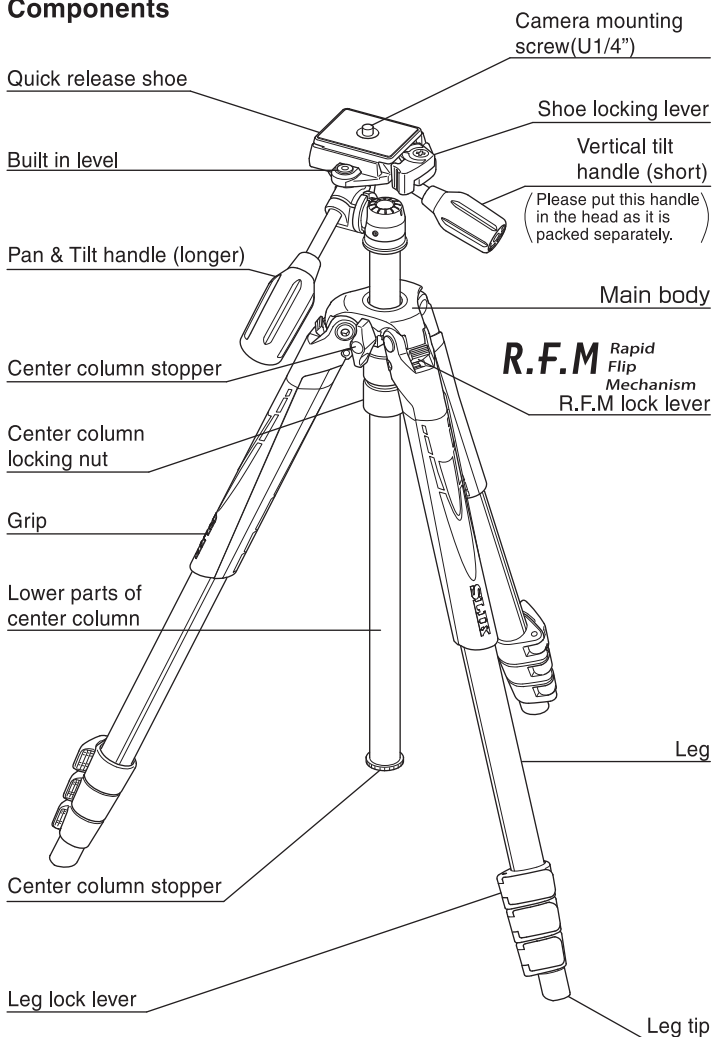
This caution icon refers to information pertaining to important safety procedures in preventing injuries, or damages which may occur as a result of mishandling this product.

🚫 Prohibition

This prohibited icon refers to information pertaining to prohibited contents. Please refer to instructions closely to avoid accidents.

S871

Components



Equipment that can be loaded on this product

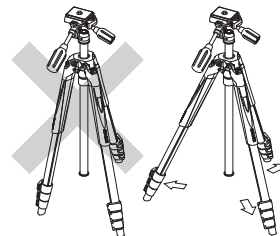
🚫 Prohibited

Maximum loading capacity :
2 kgs (4.4 lbs)

Do not overload. This product has been designed to handle equipment weighing under the maximum load capacity. Some equipment weighing under the maximum load capacity may not balance well due to its weight distribution. Use a larger tripod or head in such case.

Setting up

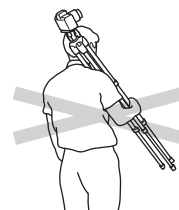
⚠ Caution



To prevent accidental falls or tripod tipping over, making sure all levers, knobs and handles on the tripod are securely tightened. And all of the three legs are opened all the way.

Carrying the tripod

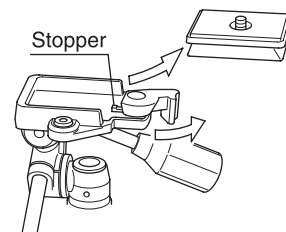
🚫 Prohibition



Carrying a tripod with a camera left on can result in unexpected accidents. We therefore, recommend you remove your camera while carrying the tripod.

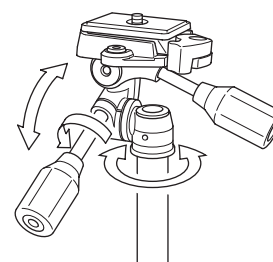
Attaching the camera to the quick release shoe

⚠ Caution

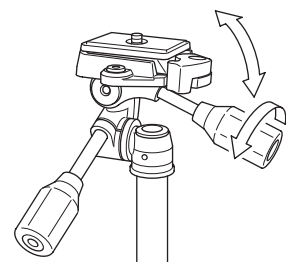


Remove the quick release shoe by turning the shoe locking lever to release. In this case, please do not put the lock lever back by force as it has been held by the stopper.

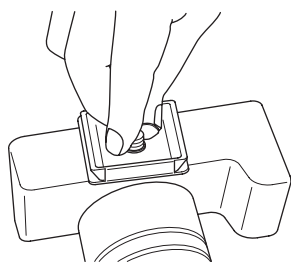
Using the pan head



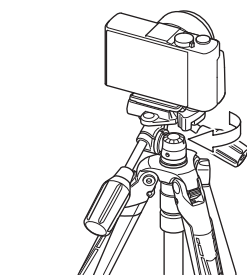
Loosen the pan & tilt handle, pan head will rotate along the horizontal direction and tilt back.



Loosen the vertical tilt handle, and the level can be adjusted.

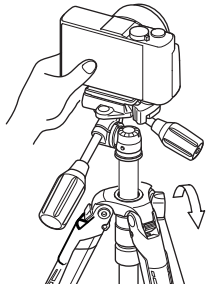


Insert the camera mounting screw of the shoe in the place of the tripod mounting screw of your camera. Turn the camera mounting screw knob and fix firmly.

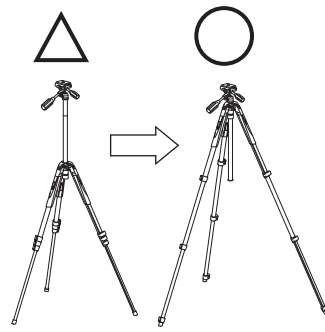


Attach the quick release shoe aslant from a shoe locking lever side. When it attaches, although closed automatically, a shoe locking lever is further fastened to a lever side to be fixed firmly.

Operating the center column

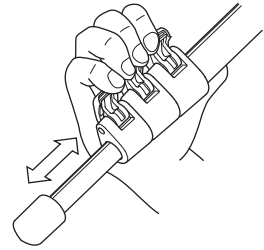


Loosen the center column stopper while you are holding the pan head. Then loosen the center column locking nut. After fixing of your desired height, tighten the both of the center column stopper and the center column locking nut firmly before you keep your hands away from the pan handle.



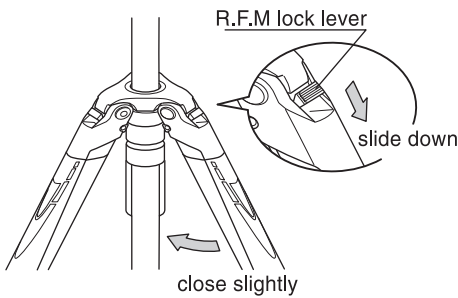
For best results and to avoid unnecessary camera vibrations, try to keep the center column height to a minimum if possible. Also use the larger legs first when extending the legs.

Extending the tripod legs

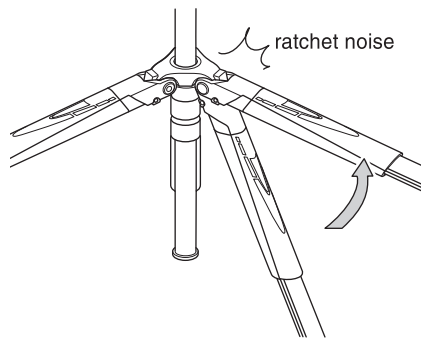


Flip the leg lock lever up to extend or shorten the section to the desired length. Press the leg lock lever(s) flush against the leg to lock.

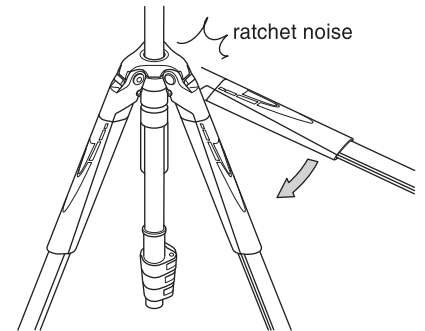
R.F.M Three position adjustable legs



Close the leg slightly and slide the R.F.M lock lever down.

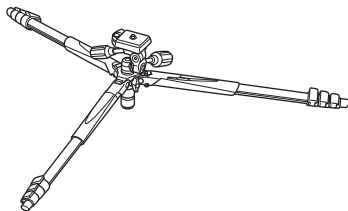


Move the leg up slowly, it will make a ratchet noise at a certain point. Move the leg up until stop, this position is the low position.

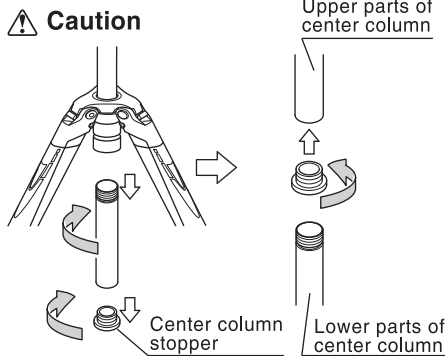


Close the leg further, a middle position or regular leg position can be chosen.

Low position



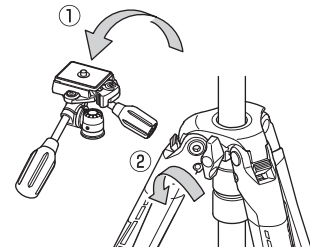
Remove the lower part of the center column when setting the legs in the lowest position.



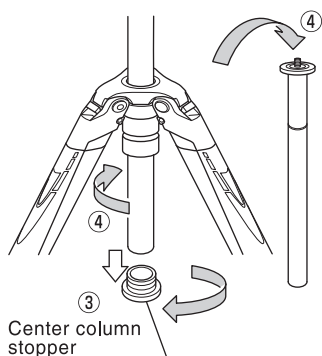
Turn the lower part of the center column in the direction of the arrow. (counter clockwise) Attach the center column weight hook to the bottom of the upper center column to prevent the center column from falling out of the body.

Inverting the center column

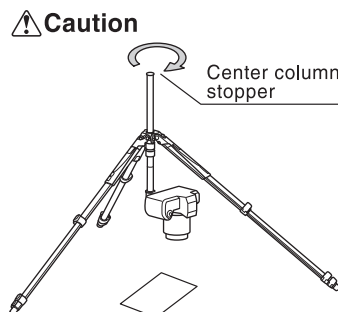
Caution



- ① Always remove the ball head first before replacing the center column.
- ② Loosen the center column lock.



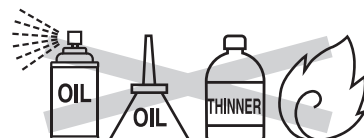
- ③ Remove the center column stopper.
- ④ Then loosen the center column stopper and pull out the center column.



Insert the center column from the lower side of main body, and tighten the center column lock. Make sure to re-attach the center column stopper in order to prevent the center column from falling out accidentally.

Care of the product

- DO NOT apply any grease or oil to this product.
- Clean with a mild detergent and a soft cloth only.
- DO NOT use close to flame. Avoid extreme heat.



Slik Corporation reserves the right to make changes in design and/or improvements on the products without any obligation and advanced notice.

SLIK CORPORATION

853 Kayama, Hidaka City, Saitama 350-1231, Japan
Phone 81-42-989-2141, Fax. 81-42-985-0210 ©2017