

TD-405BP

Quick Installation Guide

08-2021 / v1.0

Edimax Technology Co., Ltd.

No. 278, Xinhu 1st Rd., Neihu Dist., Taipei City, Taiwan

Email: support@edimax.com.tw

Edimax Technology Europe B.V.

Fijenhof 2, 5652 AE Eindhoven, The Netherlands

Email: support@edimax.nl

Edimax Computer Company

530 Technology Drive Suite 100, Irvine, CA 92618, USA

Email: support@edimax.us

Contents

<i>I. Product Information & Safety Information</i>	<i>1</i>
<i>II. Package Contents</i>	<i>2</i>
II-1. System Requirement	2
II-2. Hardware Interface	3
II-3. Port Overview	4
II-4. Max. Power on Each Port	5
<i>III. Hardware Installation</i>	<i>6</i>

I. Product Information & Safety Information

EDIMAX TD-405BP with Thunderbolt™ 4 certification provides the most advanced, efficient, and versatile I/O solution available with up to 40Gbps for data and video transmission. TD-405BP allows you to cascade Thunderbolt™ devices up to 6 levels, to one 8K Ultra HD or two 4K 60Hz monitors. It can also easily connect to any USB Type-C device, all while simultaneously charging the PC/NB.

Please install the unit with the safety restrictions outlined below:

- Maximum Power Rating must not be exceeded in order to guarantee the lifespan and reliability of.
- Keep away from heat sources.
- When the docking is powered on, **do not** insert conductive materials into the socket.



Unable to follow the above-mentioned guideline may reduce the docking station lifetime.

You can find all supporting documents from the link below or via QR Code:

<https://www.edimax.com/download>



(Once you've visited the Edimax official website, please enter model no. "TD-405BP" into the search box to search for your product.)

Download

To select your product and find related download materials, enter the model number into the search box on the right side or follow the simple steps below:
*Feel free to contact us anytime if you need help or if you can't find your product.

Model no.

[How do I find the model number?](#)

II. Package Contents

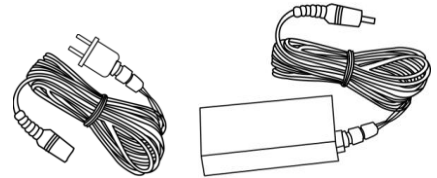
Before using this product, please check if anything is missing from the packaging, and contact your dealer to claim the missing item(s):



**Thunderbolt™ 4
Mini Docking Station**



Quick Installation Guide



**Power Adapter &
Power Cord**

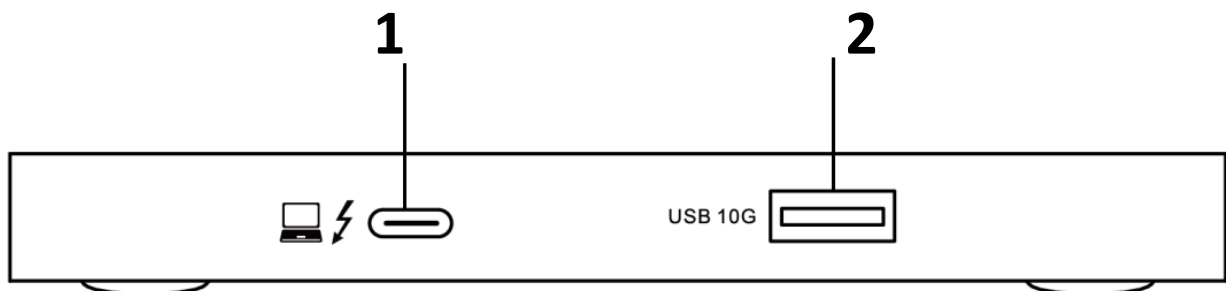
II-1. System Requirement

- Windows 10, Mac OS 11 or above
- Thunderbolt™ 4, Thunderbolt™ 3 cable, or USB4 cable

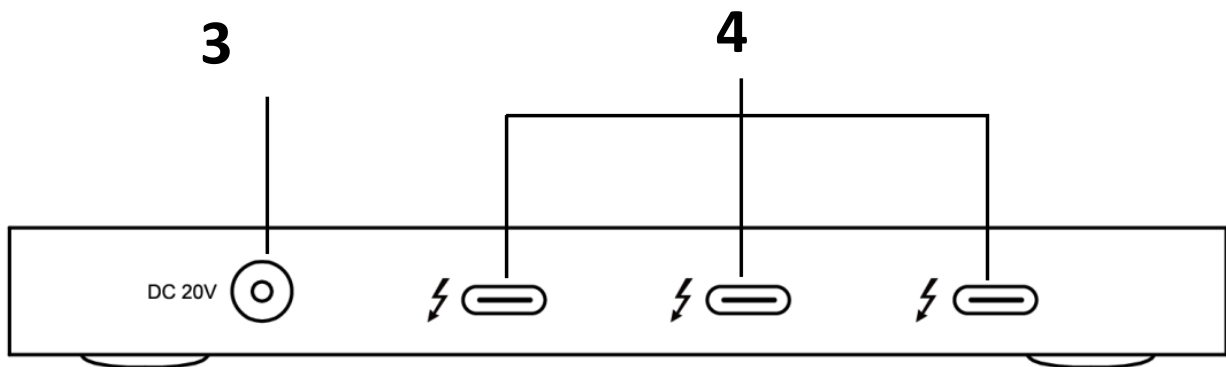
***Additional version information will be announced on the EDIMAX website**

II-2. Hardware Interface

Front View:



Back View:



No.	Description
1	Thunderbolt™ 4 USB-C Upstream Port
2	USB-A 3.2 Gen2 Downstream Port
3	Power Jack
4	Thunderbolt™ 4 USB-C Downstream Port

II-3. Port Overview

The EDIMAX TD-405B Docking Station features one Thunderbolt™ 4 upstream port, three Thunderbolt™ 4 USB-C downstream ports and one USB-A 3.2 Gen2 Downstream port.

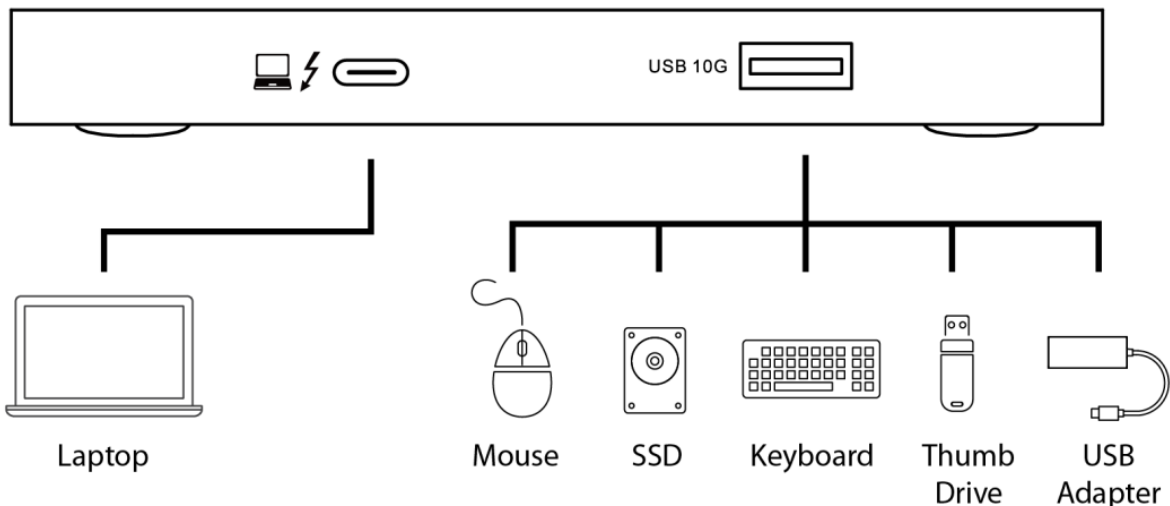
1. Thunderbolt™ 4 USB-C Upstream Port

- Up to 40Gbps data transferring by using Thunderbolt 4, Thunderbolt 3, or USB4 Gen3 (USB-C) compatible cable
- Power delivery: 60W max. (5V/9V/15V/20V)

2. USB3.2 gen2 (USB-A) Downstream Port

- Up to 10Gbps data transferring when connected to USB 3.2 gen2 compatibles devices including USB storage. It is backward compatible with lower USB-A versions.
- Power delivery: 4.5W max. (5V@900mA)

With this docking station USB 3.2 port, you can connect your mouse, keyboard, USB adapter or any other USB Type-A devices without any lag.

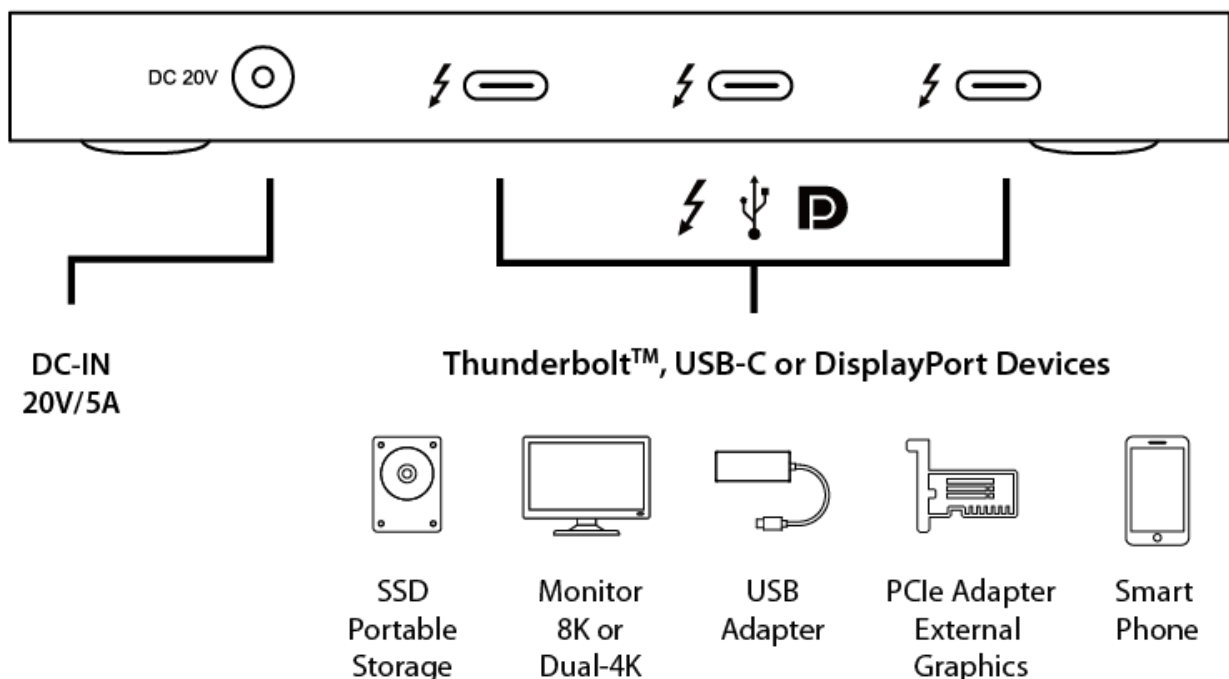


3. Thunderbolt™ 4 USB-C Downstream Ports

- Up to 40Gbps data transferring by using Thunderbolt™ 4, Thunderbolt™ 3, or USB4 gen3 (USB-C) compatible cable
- Power delivery: 15W max. (5V/9V/15V/20V)

- With the Thunderbolt™ 4, Thunderbolt™ 3 downstream port, the TD-405BP can support power delivery with max. output of 15W per port (5V@3A) to connected device
- Support max 8K@30Hz or dual 4K/60Hz video
- Support to cascade Thunderbolt™ 4 or Thunderbolt™ 3 devices up to 6 levels

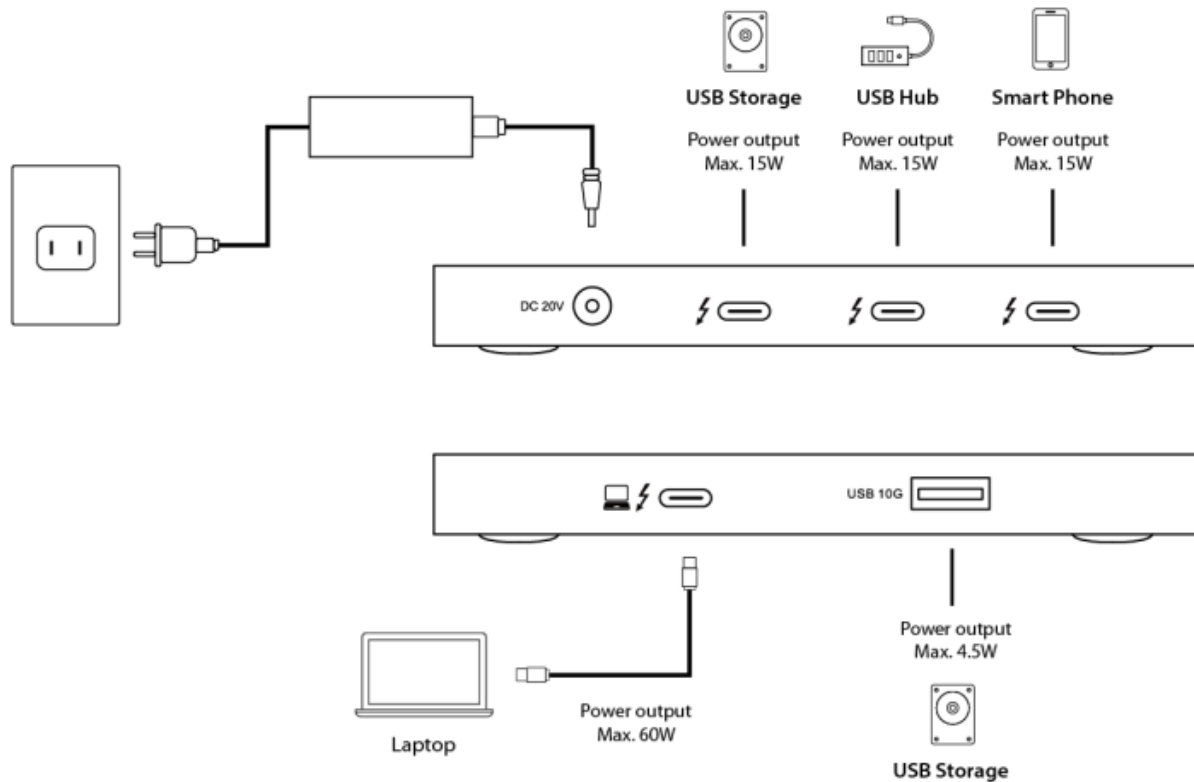
With this docking station, you can stream or extend video to your monitor, projector, TV with 3 x Thunderbolt™ 4 USB-C Downstream Ports from your USB Type-C devices.



II-4. Max. Power on Each Port

The Maximum Power allocated for each port as below,

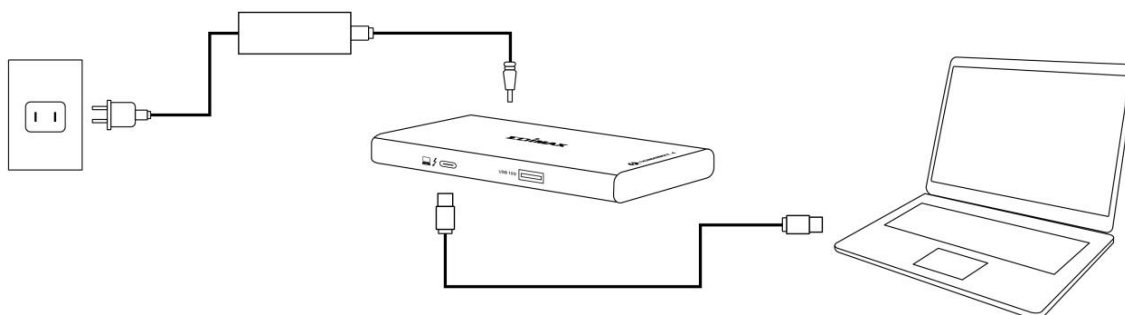
- Total Max. 85W power delivery from TD-405BP (for upstream and downstream devices)
- Max. 60W for upstream port charging



III. Hardware Installation

Please follow the steps below to install your TD-405BP Thunderbolt™ 4 Docking Station.

1. Power on the TD-405BP. Plug the AC/DC adapter into the power jack of the TD-405BP and the other end into an electrical socket.
2. Connect the TD-405BP to your laptop or PC with a Type-C cable.



The TD-405BP Thunderbolt™ 4 Mini Docking Station is powered and ready to use.

COPYRIGHT

Copyright © Edimax Technology Co., Ltd. all rights reserved. No part of this publication may be reproduced, transmitted, transcribed, stored in a retrieval system, or translated into any language or computer language, in any form or by any means, electronic, mechanical, magnetic, optical, chemical, manual or otherwise, without the prior written permission from Edimax Technology Co., Ltd.

Edimax Technology Co., Ltd. makes no representations or warranties, either expressed or implied, with respect to the contents hereof and specifically disclaims any warranties, merchantability, or fitness for any particular purpose. Any software described in this manual is sold or licensed as is. Should the programs prove defective following their purchase, the buyer (and not this company, its distributor, or its dealer) assumes the entire cost of all necessary servicing, repair, and any incidental or consequential damages resulting from any defect in the software. Edimax Technology Co., Ltd. reserves the right to revise this publication and to make changes from time to time in the contents hereof without the obligation to notify any person of such revision or changes.

The product you have purchased and the setup screen may appear slightly different from those shown in this QIG. The software and specifications are subject to change without notice. Please visit our website www.edimax.com for updates. All brand and product names mentioned in this manual are trademarks and/or registered trademarks of their respective holders.

Federal Communication Commission Interference Statement

This equipment has been tested and found to comply with the limits for a Class B digital device, pursuant to Part 15 of FCC Rules. These limits are designed to provide reasonable protection against harmful interference in a residential installation. This equipment generates, uses, and can radiate radio frequency energy and, if not installed and used in accordance with the instructions, may cause harmful interference to radio communications. However, there is no guarantee that interference will not occur in a particular installation. If this equipment does cause harmful interference to radio or television reception, which can be determined by turning the equipment off and on, the user is encouraged to try to correct the interference by one or more of the following measures:

1. Reorient or relocate the receiving antenna.
2. Increase the separation between the equipment and receiver.
3. Connect the equipment into an outlet on a circuit different from that to which the receiver is connected.
4. Consult the dealer or an experienced radio technician for help.

FCC Caution

This device and its antenna must not be co-located or operating in conjunction with any other antenna or transmitter. This device complies with Part 15 of the FCC Rules. Operation is subject to the following two conditions: (1) this device may not cause harmful interference, and (2) this device must accept any interference received, including interference that may cause undesired operation. Any changes or modifications not expressly approved by the party responsible for compliance could void the authority to operate equipment.

Federal Communications Commission (FCC) Radiation Exposure Statement

This equipment complies with FCC radiation exposure set forth for an uncontrolled environment. In order to avoid the possibility of exceeding the FCC radio frequency exposure limits, human proximity to the antenna shall not be less than 2.5cm (1 inch) during normal operation.

Federal Communications Commission (FCC) RF Exposure Requirements

This EUT is compliance with SAR for general population/uncontrolled exposure limits in ANSI/IEEE C95.1-1999 and had been tested in accordance with the measurement methods and procedures specified in OET Bulletin 65 Supplement C. The equipment version marketed in US is restricted to usage of the channels 1-11 only. This equipment is restricted to *indoor* use when operated in the 5.15 to 5.25 GHz frequency range.

R&TTE Compliance Statement

This equipment complies with all the requirements of DIRECTIVE 1999/5/EC OF THE EUROPEAN PARLIAMENT AND THE COUNCIL of March 9, 1999 on radio equipment and telecommunication terminal equipment and the mutual recognition of their conformity (R&TTE). The R&TTE Directive repeals and replaces in the directive 98/13/EEC (Telecommunications Terminal Equipment and Satellite Earth Station Equipment) As of April 8, 2000.

Safety

This equipment is designed with the utmost care for the safety of those who install and use it. However, special attention must be paid to the dangers of electric shock and static electricity when working with electrical equipment. All guidelines of this and of the computer manufacture must therefore be allowed at all times to ensure the safe use of the equipment.

EU Countries Intended for Use

The ETSI version of this device is intended for home and office use in Austria, Belgium, Bulgaria, Cyprus, Czech, Denmark, Estonia, Finland, France, Germany, Greece, Hungary, Ireland, Italy, Latvia, Lithuania, Luxembourg, Malta, Netherlands, Poland, Portugal, Romania, Slovakia, Slovenia, Spain, Sweden, Turkey, and United Kingdom. The ETSI version of this device is also authorized for use in EFTA member states: Iceland, Liechtenstein, Norway, and Switzerland.

EU Countries Not Intended for Use

None

EU Declaration of Conformity

- English:** This equipment is in compliance with the essential requirements and other relevant provisions of Directive 2014/30/EU, 2014/35/EU.
- Français:** Cet équipement est conforme aux exigences essentielles et autres dispositions de la directive 2014/30/EU, 2014/35/EU.
- Čeština:** Toto zařízení je v souladu se základními požadavky a ostatními příslušnými ustanoveními směrnic 2014/30/EU, 2014/35/EU.
- Polski:** Urządzenie jest zgodne z ogólnymi wymaganiami oraz szczególnymi warunkami określonymi Dyrektywą UE 2014/30/EU, 2014/35/EU.
- Română:** Acest echipament este în conformitate cu cerințele esențiale și alte prevederi relevante ale Directivei 2014/30/EU, 2014/35/EU.
- Русский:** Это оборудование соответствует основным требованиям и положениям Директивы 2014/30/EU, 2014/35/EU.
- Magyar:** Ez a berendezés megfelel az alapvető követelményeknek és más vonatkozó irányelveknek (2014/30/EU, 2014/35/EU).
- Türkçe:** Bu cihaz 2014/30/EU, 2014/35/EU. direktifleri zorunlu istekler ve diğer hükümlerle ile uyumludur.
- Українська:** Обладнання відповідає вимогам і умовам директиви 2014/30/EU, 2014/35/EU.
- Slovenčina:** Toto zariadenie spĺňa základné požiadavky a ďalšie príslušné ustanovenia smerníc 2014/30/EU, 2014/35/EU.
- Deutsch:** Dieses Gerät erfüllt die Voraussetzungen gemäß den Richtlinien 2014/30/EU, 2014/35/EU.
- Español:** El presente equipo cumple los requisitos esenciales de la Directiva 2014/30/EU, 2014/35/EU.
- Italiano:** Questo apparecchio è conforme ai requisiti essenziali e alle altre disposizioni applicabili della Direttiva 2014/30/EU, 2014/35/EU.
- Nederlands:** Dit apparaat voldoet aan de essentiële eisen en andere van toepassing zijnde bepalingen van richtlijn 2014/30/EU, 2014/35/EU.
- Português:** Este equipamento cumpre os requisitos essenciais da Directiva 2014/30/EU, 2014/35/EU.
- Norsk:** Dette utstyret er i samsvar med de viktigste kravene og andre relevante regler i Direktiv 2014/30/EU, 2014/35/EU.
- Svenska:** Denna utrustning är i överensstämmelse med de väsentliga kraven och övriga relevanta bestämmelser i direktiv 2014/30/EU, 2014/35/EU.
- Dansk:** Dette udstyr er i overensstemmelse med de væsentligste krav og andre relevante forordninger i direktiv 2014/30/EU, 2014/35/EU.
- suomen kieli:** Tämä laite täyttää direktiivien 2014/30/EU, 2014/35/EU. oleelliset vaatimukset ja muut asiaankuuluvat määräykset.

FOR USE IN

AT	BE	BG	CZ	DK	DE				
EE	IE	EL	ES	FR	HR	IT	CY	LV	LT
LU	HU	MT	NL	PL	PT	RO	SI	SK	FI
SE	UK	UK(IN)	TR	IS	LI	NO	CH	RU	UA



WEEE Directive & Product Disposal



At the end of its serviceable life, this product should not be treated as household or general waste. It should be handed over to the applicable collection point for the recycling of electrical and electronic equipment, or returned to the supplier for disposal.

Declaration of Conformity

We, Edimax Technology Co., Ltd., declare under our sole responsibility, that the equipment described below complies with the requirements of the European R&TTE directives.

Equipment: Intel certified Thunderbolt4 5-Port docking station
Model No.: TD-405 series

The following European standards for essential requirements have been followed:

Directives 2014/30/EU

EN 55032:2015+A11:2020

EN 55035:2017+A11:2020

EN 61000-3-2:2014

EN 61000-3-3:2013

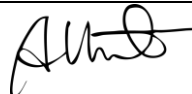
Edimax Technology Europe B.V.
Fijenhof 2,
5652 AE Eindhoven,
The Netherlands

Printed Name: David Huang
Title: Director
Edimax Technology Europe B.V.

a company of:
Edimax Technology Co., Ltd.
No. 278, Xinhua 1st Rd.,
Neihu Dist., Taipei City,
Taiwan



Date of Signature: Aug., 2021

Signature: 

Printed Name: Albert Chang

Title: Director
Edimax Technology Co., Ltd.

Declaration of Conformity

We, Edimax Technology Co., Ltd., declare under our sole responsibility, that the equipment described below complies with the requirements of the United Kingdom EMC and Safety directives.

Equipment: Intel certified Thunderbolt4 5-Port docking station
Model No.: TD-405 series

The following European standards for essential requirements have been followed:

Electromagnetic Compatibility Regulations 2016 (S.I. 2016/1091)

EN 55032:2015+A11:2020

EN 55035:2017+A11:2020

EN 61000-3-2:2014

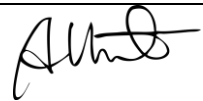
EN 61000-3-3:2013

Edimax Technology Europe B.V.
Fijenhof 2,
5652 AE Eindhoven,
The Netherlands

Printed Name: David Huang
Title: Director
Edimax Technology Europe B.V.

a company of:
Edimax Technology Co., Ltd.
No. 278, Xinhua 1st Rd.,
Neihu Dist., Taipei City,
Taiwan



Date of Signature: Aug., 2021
Signature: 
Printed Name: Albert Chang
Title: Director
Edimax Technology Co., Ltd.