



# iRig<sup>®</sup> Mic Studio XLR

Studio condenser microphone

USER MANUAL

## Table of Contents

<b>Contents</b>	2
<b>English</b>	3
iRig Mic Studio XLR	3
Register your iRig Mic Studio XLR	3
Installation and setup	4
Specifications	6
Warranty	6
Support and more info	6
<b>Regulatory</b>	7

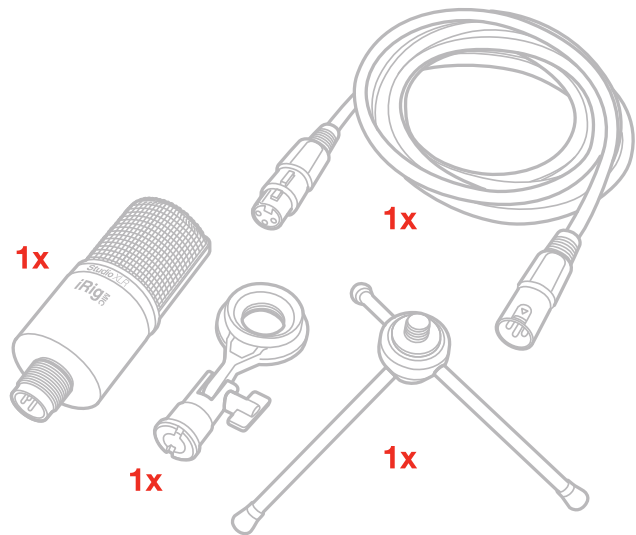
---

## iRig Mic Studio XLR

Thank you for purchasing iRig Mic Studio XLR.

Your package contains:

- iRig Mic Studio XLR
- XLR cable
- Mic clamp
- Table top stand
- Quick Start Guide
- Registration Card



iRig Mic Studio XLR is an ultra-compact cardioid studio condenser microphone designed to be used in your standard studio setup, or for capturing pro recordings on the go with your iOS, Android or Mac/PC and a compatible interface like iRig Pro Duo, iRig Pro or iRig Pre.

Developed for professional studio-quality recordings, the iRig Mic Studio XLR features a high quality unidirectional 1" condenser-electret microphone capsule. The iRig Mic Studio XLR is a pro-quality condenser microphone that requires 48v phantom power which may be provided by a mixer, external microphone preamplifier or interfaces like iRig Pro Duo, iRig Pro or iRig Pre. Output from the microphone's XLRM-type connector is Low impedance balanced.

## Register your iRig Mic Studio XLR

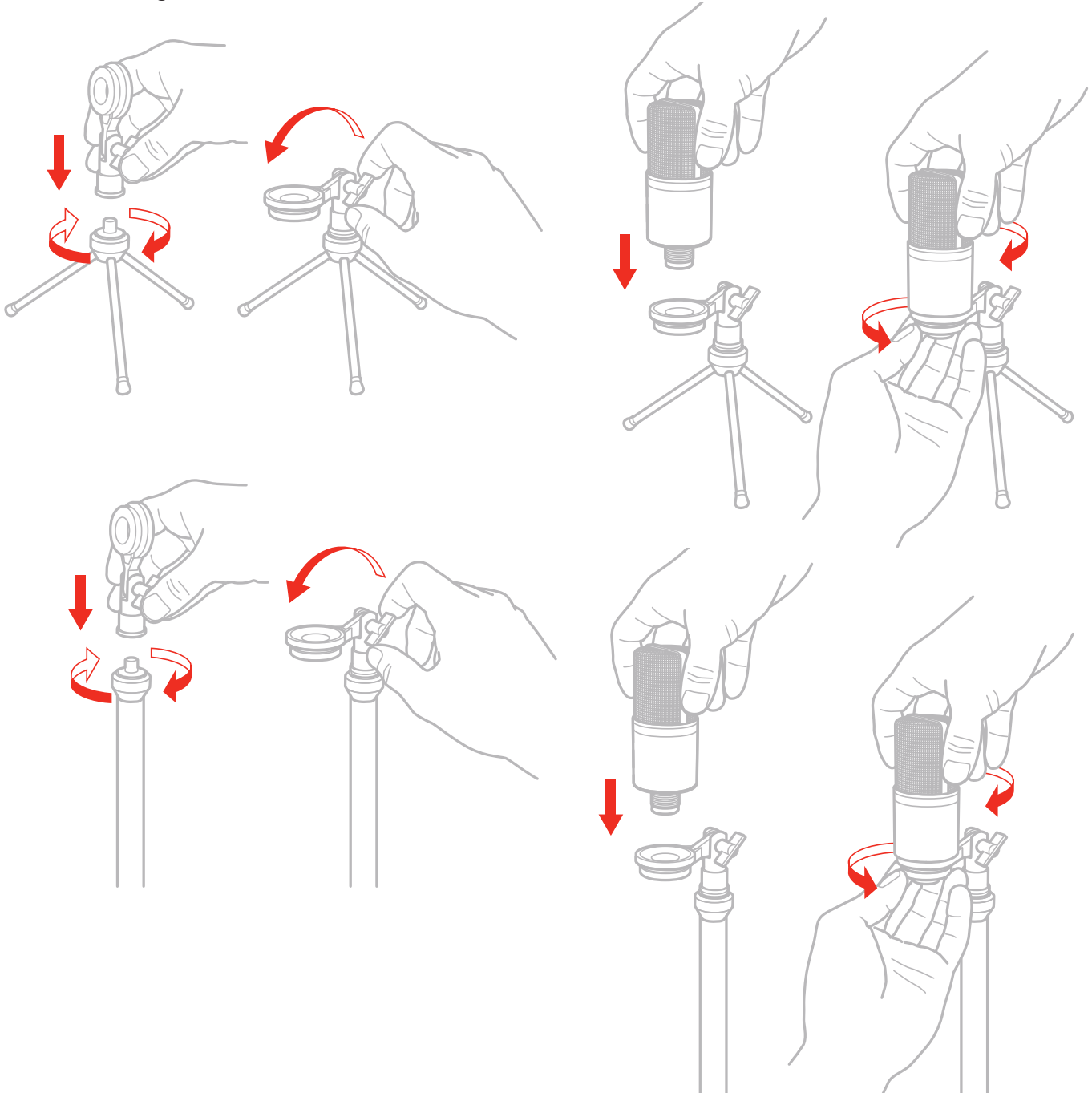
By registering, you can access technical support, activate your warranty and receive free JamPoints™ which will be added to your account. JamPoints™ allow you to obtain discounts on future IK purchases! Registering also keeps you informed of all the latest software updates and IK products.

Register at: [www.ikmultimedia.com/registration](http://www.ikmultimedia.com/registration)

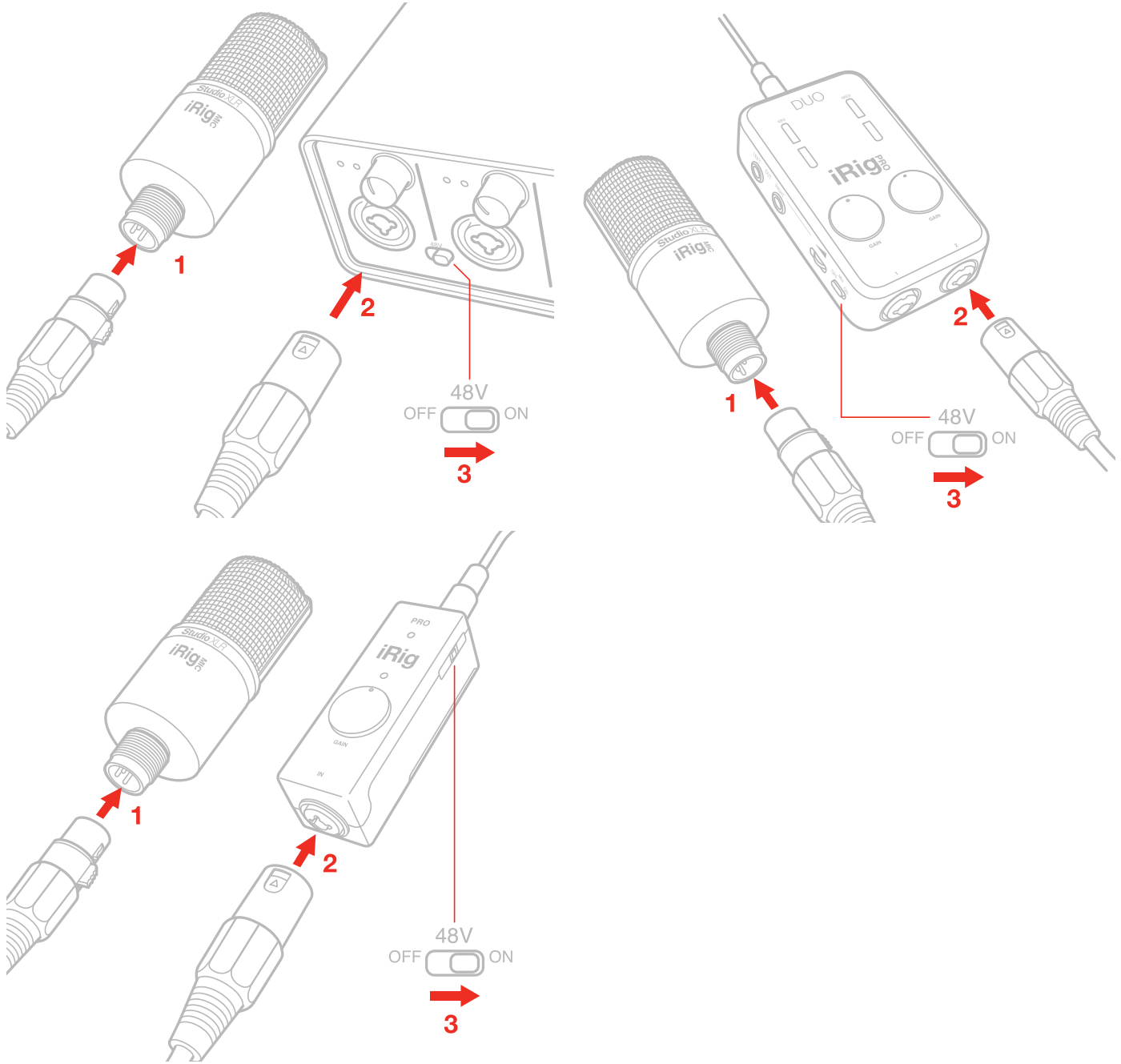
## Installation and setup

Before to connect the microphone the an external preamplifier, make sure the 48V phantom poer is set to Off.

1. Place the iRig Mic Studio XLR on its holder



2. Connect the XLR cable to the XLR male on the bottom of iRig Mic Studio XLR.
3. Connect the XLR cable to an audio interface/mixer/preamplifier capable to supply the 48V phantom power.
4. Turn ON the 48V phantom power on your interface/mixer/preamplifier.



## Specifications

- Microphone Type: condenser, back electret
- Capsule Size: 1”
- Polar Pattern: cardioid, unidirectional
- Frequency Response: 20Hz - 20kHz
- Maximum Sound Pressure: 142dB
- Sensitivity: -37.5dB at 1 kHz
- Equivalent Noise Level, A-weighted: 17dB-A
- Connector Type: male 3-pin XLR

## Warranty

Please visit:

**[www.ikmultimedia.com/warranty](http://www.ikmultimedia.com/warranty)**

for the complete warranty policy.

## Support and more info

**[www.ikmultimedia.com/support](http://www.ikmultimedia.com/support)**

**[www.irigmicstudioxlr.com](http://www.irigmicstudioxlr.com)**

iRig® Mic Studio XLR, AmpliTube®, VocaLive™, SampleTank®, iGrand Piano™ are trademarks or registered trademarks property of IK Multimedia Srl. All other product names and images, trademarks and artists names are the property of their respective owners, which are in no way associated or affiliated with IK Multimedia. iPad, iPhone, iPod touch, Mac, Mac logo and GarageBand are trademarks of Apple Computer, Inc., registered in the U.S. and other countries. Bluetooth is a trademark of Bluetooth SIG, Inc., registered in the U.S. and other countries. App Store is a service mark of Apple Inc.