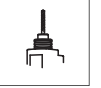
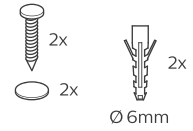
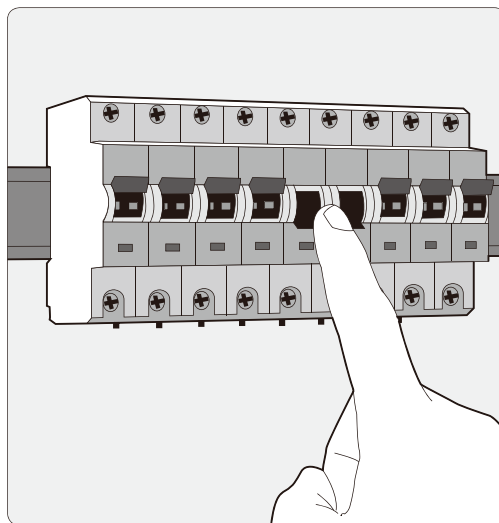
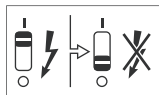
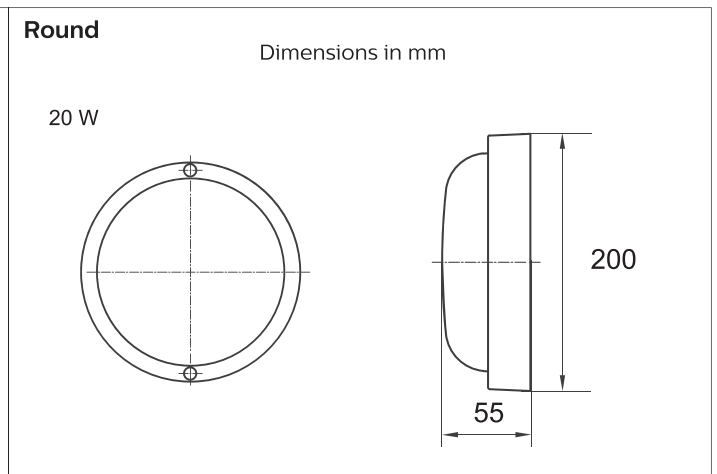
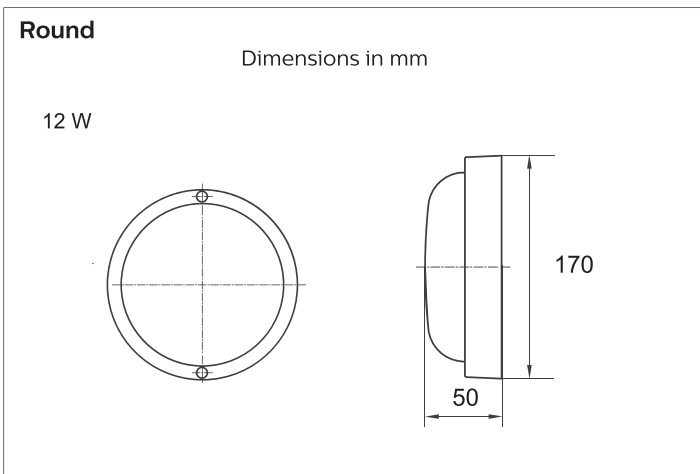


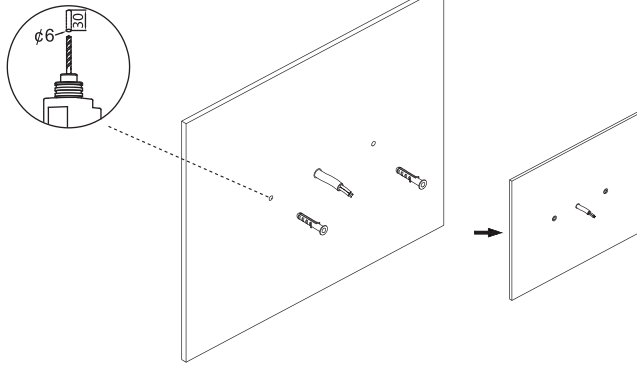
Mazda
Wall-mounted
WL007C



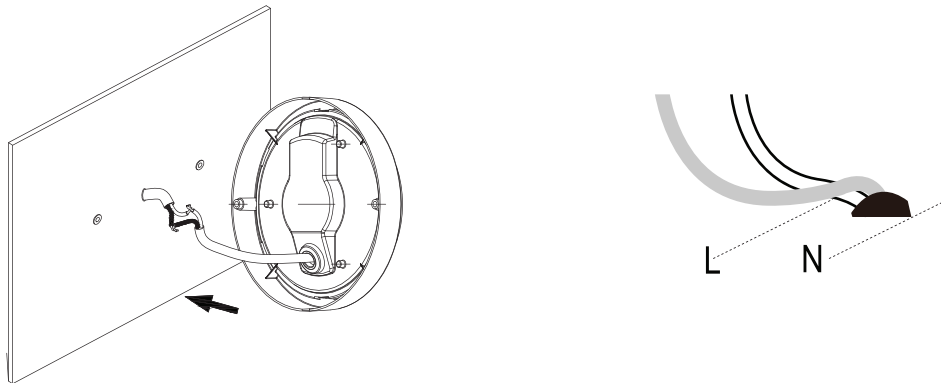
	CCT (K)	P (W)	IP	kg
Mazda WL007C LED10S/840 RND WH G2	4000	12	54	0.18
Mazda WL007C LED16S/840 RND WH G2		20		0.25



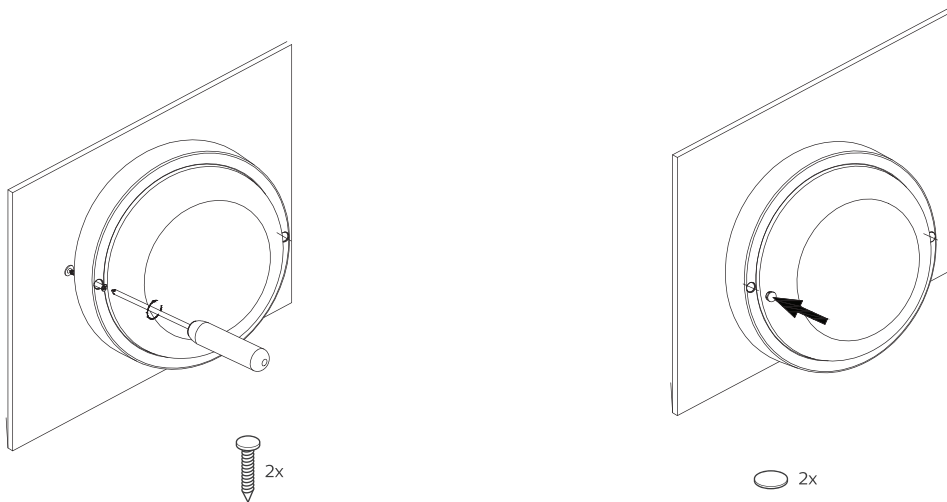
1



2



3



4



- The luminaire shall be installed by a qualified electrician and wired in accordance with the latest IEE electrical regulations or the national requirements.
- The light source of this luminaire is not replaceable; when the light source reaches its end of life the whole luminaire shall be replaced.



ATTENTION
OBSERVE PRECAUTIONS
FOR HANDLING
ELECTROSTATIC
SENSITIVE
DEVICES