



EN Refrigerator
DE Kühlschrank

User Manual 2
Benutzerinformation 22



CONTENTS

1. SAFETY INFORMATION.....	2
2. SAFETY INSTRUCTIONS.....	4
3. INSTALLATION.....	6
4. CONTROL PANEL.....	8
5. DAILY USE.....	10
6. HINTS AND TIPS.....	12
7. CARE AND CLEANING.....	14
8. TROUBLESHOOTING.....	16
9. NOISES.....	20
10. TECHNICAL DATA.....	20
11. INFORMATION FOR TEST INSTITUTES.....	20
12. GUARANTEE	20
13. ENVIRONMENTAL CONCERNS.....	21

WE'RE THINKING OF YOU

Thank you for purchasing an Electrolux appliance. You've chosen a product that brings with it decades of professional experience and innovation. Ingenious and stylish, it has been designed with you in mind. So whenever you use it, you can be safe in the knowledge that you'll get great results every time.

Welcome to Electrolux.

Visit our website to:



Get usage advice, brochures, trouble shooter, service and repair information:
www.electrolux.com/support



Register your product for better service:
www.registerelectrolux.com



Buy Accessories, Consumables and Original spare parts for your appliance:
www.electrolux.com/shop

CUSTOMER CARE AND SERVICE

Always use original spare parts.

When contacting our Authorised Service Centre, ensure that you have the following data available: Model, PNC, Serial Number.

The information can be found on the rating plate.

 Warning / Caution-Safety information

 General information and tips

 Environmental information

Subject to change without notice.

1. SAFETY INFORMATION

Before the installation and use of the appliance, carefully read the supplied instructions. The manufacturer is not

responsible for any injuries or damage that are the result of incorrect installation or usage. Always keep the instructions in a safe and accessible location for future reference.

1.1 Children and vulnerable people safety

- This appliance can be used by children aged from 8 years and above and persons with reduced physical, sensory or mental capabilities or lack of experience and knowledge if they have been given supervision or instruction concerning the use of the appliance in a safe way and understand the hazards involved.
- Children aged from 3 to 8 years are allowed to load and unload the appliance provided that they have been properly instructed.
- This appliance may be used by persons with very extensive and complex disabilities provided that they have been properly instructed.
- Children of less than 3 years of age should be kept away from the appliance unless continuously supervised.
- Children should be supervised to ensure that they do not play with the appliance.
- Children shall not carry out cleaning and user maintenance of the appliance without supervision.
- Keep all packaging away from children and dispose of it appropriately.

1.2 General Safety

- This appliance is intended to be used in household and similar applications such as:
 - Farm houses; staff kitchen areas in shops, offices and other working environments;
 - By clients in hotels, motels, bed and breakfast and other residential type environments.
- To avoid contamination of food respect the following instructions:
 - do not open the door for long periods;

- clean regularly surfaces that can come in contact with food and accessible drainage systems;
- store raw meat and fish in suitable containers in the refrigerator, so that it is not in contact with or drip onto other food.
- **WARNING:** Keep ventilation openings, in the appliance enclosure or in the built-in structure, clear of obstruction.
- **WARNING:** Do not use mechanical devices or other means to accelerate the defrosting process, other than those recommended by the manufacturer.
- **WARNING:** Do not damage the refrigerant circuit.
- **WARNING:** Do not use electrical appliances inside the food storage compartments of the appliance, unless they are of the type recommended by the manufacturer.
- Do not use water spray and steam to clean the appliance.
- Clean the appliance with a moist soft cloth. Only use neutral detergents. Do not use abrasive products, abrasive cleaning pads, solvents or metal objects.
- When the appliance is empty for long period, switch it off, defrost, clean, dry and leave the door open to prevent mould from developing within the appliance.
- Do not store explosive substances such as aerosol cans with a flammable propellant in this appliance.
- If the supply cord is damaged, it must be replaced by the manufacturer, its Authorised Service Centre or similarly qualified persons in order to avoid a hazard.

2. SAFETY INSTRUCTIONS

2.1 Installation



WARNING!

Only a qualified person must install this appliance.

- Remove all the packaging.
- Do not install or use a damaged appliance.
- Do not use the appliance before installing it in the built-in structure due to safety manner.
- Follow the installation instructions supplied with the appliance.
- Always take care when moving the appliance as it is heavy. Always use safety gloves and enclosed footwear.
- Make sure the air can circulate around the appliance.

- At first installation or after reversing the door wait at least 4 hours before connecting the appliance to the power supply. This is to allow the oil to flow back in the compressor.
- Before carrying out any operations on the appliance (e.g. reversing the door), remove the plug from the power socket.
- Do not install the appliance close to radiators or cookers, ovens or hobs.
- Do not expose the appliance to the rain.
- Do not install the appliance where there is direct sunlight.
- Do not install this appliance in areas that are too humid or too cold.
- When you move the appliance, lift it by the front edge to avoid scratching the floor.

2.2 Electrical connection



WARNING!
Risk of fire and electric shock.



WARNING!
When positioning the appliance, ensure the supply cord is not trapped or damaged.



WARNING!
Do not use multi-plug adapters and extension cables.

- The appliance must be earthed.
- Make sure that the parameters on the rating plate are compatible with the electrical ratings of the mains power supply.
- Always use a correctly installed shockproof socket.
- Make sure not to cause damage to the electrical components (e.g. mains plug, mains cable, compressor). Contact the Authorised Service Centre or an electrician to change the electrical components.
- The mains cable must stay below the level of the mains plug.
- Connect the mains plug to the mains socket only at the end of the installation. Make sure that there is

access to the mains plug after the installation.

- Do not pull the mains cable to disconnect the appliance. Always pull the mains plug.

2.3 Use



WARNING!
Risk of injury, burns, electric shock or fire.



The appliance contains flammable gas, isobutane (R600a), a natural gas with a high level of environmental compatibility. Be careful not to cause damage to the refrigerant circuit containing isobutane.

- Do not change the specification of this appliance.
- Any use of the built-in product as free-standing is strictly prohibited.
- Do not put electrical appliances (e.g. ice cream makers) in the appliance unless they are stated applicable by the manufacturer.
- If damage occurs to the refrigerant circuit, make sure that there are no flames and sources of ignition in the room. Ventilate the room.
- Do not let hot items to touch the plastic parts of the appliance.
- Do not put soft drinks in the freezer compartment. This will create pressure on the drink container.
- Do not store flammable gas and liquid in the appliance.
- Do not put flammable products or items that are wet with flammable products in, near or on the appliance.
- Do not touch the compressor or the condenser. They are hot.
- Do not remove or touch items from the freezer compartment if your hands are wet or damp.
- Do not freeze again food that has been thawed.
- Follow the storage instructions on the packaging of frozen food.
- Wrap the food in any food contact material before putting it in the freezer compartment.

2.4 Internal lighting



WARNING!
Risk of electric shock.

- This product contains a light source of energy efficiency class F.
- Concerning the lamp(s) inside this product and spare part lamps sold separately: These lamps are intended to withstand extreme physical conditions in household appliances, such as temperature, vibration, humidity, or are intended to signal information about the operational status of the appliance. They are not intended to be used in other applications and are not suitable for household room illumination.

2.5 Care and cleaning



WARNING!
Risk of injury or damage to the appliance.

- Before maintenance, deactivate the appliance and disconnect the mains plug from the mains socket.
- This appliance contains hydrocarbons in the cooling unit. Only a qualified person must do the maintenance and the recharging of the unit.
- Regularly examine the drain of the appliance and if necessary, clean it. If the drain is blocked, defrosted water collects in the bottom of the appliance.

2.6 Service

- To repair the appliance contact the Authorised Service Centre. Use original spare parts only.

- Please note that self-repair or non-professional repair can have safety consequences and might void the guarantee.
- The following spare parts will be available for 7 years after the model has been discontinued: thermostats, temperature sensors, printed circuit boards, light sources, door handles, door hinges, trays and baskets. Please note that some of these spare parts are only available to professional repairers, and that not all spare parts are relevant for all models.
- Door gaskets will be available for 10 years after the model has been discontinued.

2.7 Disposal



WARNING!
Risk of injury or suffocation.

- Disconnect the appliance from the mains supply.
- Cut off the mains cable and discard it.
- Remove the door to prevent children and pets to be closed inside of the appliance.
- The refrigerant circuit and the insulation materials of this appliance are ozone-friendly.
- The insulation foam contains flammable gas. Contact your municipal authority for information on how to discard the appliance correctly.
- Do not cause damage to the part of the cooling unit that is near the heat exchanger.

3. INSTALLATION



WARNING!
Refer to Safety chapters.

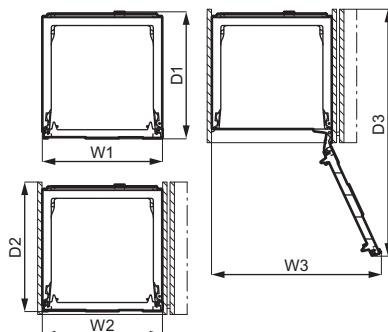
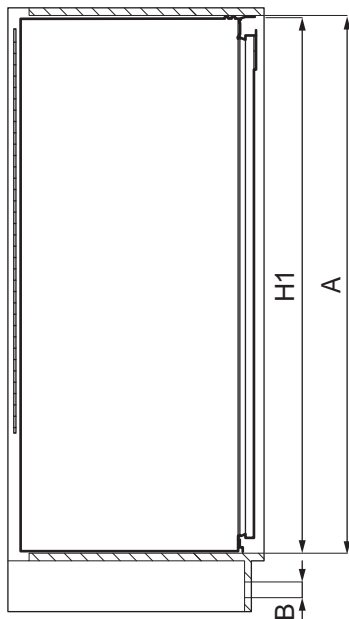


WARNING!
Refer to installation instruction document to install your appliance.



WARNING!
Fix the appliance in accordance with installation instruction document to avoid a risk of instability of the appliance.

3.1 Dimensions



Overall dimensions ¹		
H1	mm	1267
W1	mm	548
D1	mm	576

¹ the height, width and depth of the appliance without the handle

Space required in use ²		
H2 (A+B)	mm	1307
W2	mm	549
D2	mm	585
A	mm	1270
B	mm	37

² the height, width and depth of the appliance including the handle, plus the space necessary for free circulation of the cooling air

Overall space required in use ³		
H3 (A+B)	mm	1307
W3	mm	767
D3	mm	1115




³ the height, width and depth of the appliance including the handle, plus the space necessary for free circulation of the cooling air, plus the space necessary to allow door opening to the minimum angle permitting removal of all internal equipment

3.2 Location

To ensure appliance's best functionality, you should not install the appliance in the nearby of the heat source (oven, stoves, radiators, cookers or hobs) or in a place with direct sunlight. Make sure that air can circulate freely around the back of the cabinet.

This appliance should be installed in a dry, well ventilated indoor position.

This appliance is intended to be used at ambient temperature ranging from 10°C to 43°C.

-  The correct operation of the appliance can only be guaranteed within the specified temperature range.
-  If you have any doubts regarding where to install the appliance, please turn to the vendor, to our customer service or to the nearest Authorised Service Centre.
-  It must be possible to disconnect the appliance from the mains power supply. The plug must therefore be easily accessible after installation.

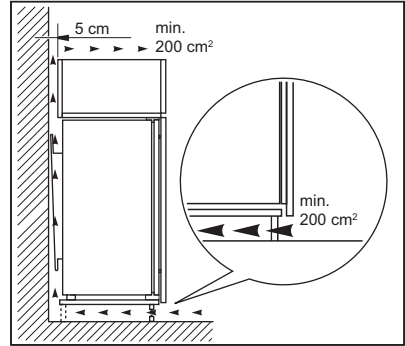
3.3 Electrical connection

- Before plugging in, ensure that the voltage and frequency shown on the rating plate correspond to your domestic power supply.
- The appliance must be earthed. The power supply cable plug is provided with a contact for this purpose. If the domestic power supply socket is not earthed, connect the appliance to a separate earth in compliance with current regulations, consulting a qualified electrician.
- The manufacturer declines all responsibility if the above safety precautions are not observed.

- This appliance complies with the E.E.C. Directives.

3.4 Ventilation requirements

The airflow behind the appliance must be sufficient.



CAUTION!

Refer to the installation instructions for the installation.

3.5 Door reversibility

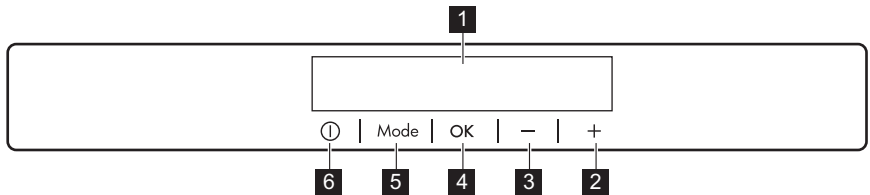
Please refer to the separate document with instructions on installation and door reversal.



CAUTION!

At every stage of reversing the door protect the floor from scratching with a durable material.

4. CONTROL PANEL



1 Display

2 Temperature warmer button

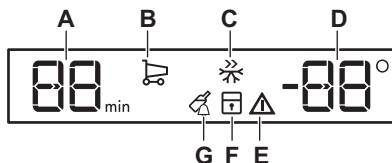
3 Temperature colder button

4 OK

5 Mode

It is possible to change predefined sound of buttons by pressing together Mode

4.1 Display



6 ON/OFF

and temperature colder button for a few seconds. Change is reversible.

- A. Timer indicator
- B. FastCool function
- C. FastFreeze function
- D. Temperature indicator
- E. Alarm indicator
- F. ChildLock function
- G. DrinksChill function

4.2 Switching on

1. Connect the mains plug to the power socket.
2. Press the appliance ON/OFF if the display is off. The temperature indicators show the set default temperature.

To select a different set temperature refer to "Temperature regulation".

If "dEMo" appears on the display, refer to "Troubleshooting".

4.3 Switching off

1. Press the appliance ON/OFF for 3 seconds. The display switches off.
2. Disconnect the mains plug from the power socket.

4.4 Temperature regulation

Set the temperature of the appliance by pressing the temperature regulators. Recommended set temperature is:

- +4°C for the fridge

The temperature range may vary between 2°C and 8°C for fridge.

The temperature indicators show the set temperature.



The set temperature will be reached within 24 hours. After a power failure the set temperature remains stored.

4.5 FastCool function

If you need to insert in the fridge compartment a large amount of warm food, for example after doing the grocery shopping, we suggest activating the FastCool function to chill the products more rapidly and to avoid warming the other food which is already in the refrigerator.

1. Press the Mode until the corresponding icon appears.

The FastCool indicator flashes.

2. Press the OK to confirm.

The FastCool indicator is shown.

This function stops automatically after approximately 6 hours.

You can deactivate the FastCool function before its automatic end by repeating the procedure or by selecting a different fridge set temperature.

4.6 FastFreeze function

The FastFreeze is used to perform pre-freezing and fast freezing in sequence of Freezer compartment. This function accelerates the freezing of fresh food and, at the same time, protects foodstuffs already stored from undesirable warming.



To freeze fresh food activate the FastFreeze function at least 24 hours before placing the food to complete pre-freezing.

1. To activate this function press the Mode button until the corresponding icon appears.

The FastFreeze indicator flashes.

2. Press the OK button to confirm. The FastFreeze indicator is shown.

This function stops automatically after 28 hours.

You can deactivate the FastFreeze function before its automatic end by repeating the procedure until the FastFreeze indicator turns off or by selecting a different set temperature.

4.7 ChildLock function

Activate the ChildLock function to lock the buttons from unintentional operation.

1. Press Mode until the corresponding icon appears.

The ChildLock indicator flashes.

2. Press OK to confirm.

The ChildLock indicator is shown.

To deactivate the ChildLock function, repeat the procedure until the ChildLock indicator goes off.

4.8 DrinksChill function

The DrinksChill function is to be used to set an acoustic alarm at the preferred time, useful for example when a recipe requires to cool down food products for a certain period of time.

It is also useful when a reminder is needed in order not to forget the bottles or cans placed in the freezer for fast cooling.

1. Press Mode until the corresponding icon appears.

The DrinksChill indicator flashes. The Timer shows the set value (30 minutes) for a few seconds.

2. Press the Timer regulator to change the Timer set value from 1 to 90 minutes.

3. Press OK to confirm.

The DrinksChill indicator is shown.

The Timer starts to flash (min).

At the end of the countdown the "0 min" indicator flashes and an audible alarm sounds. Press OK to switch off the sound and terminate the function.

To switch off the function repeat the procedure until the DrinksChill goes off.



It is possible to change the time at any time during the countdown and at the end by pressing the Temperature colder button and the Temperature warmer button.

4.9 Door open alarm

If the fridge door is left open for approximately 5 minutes, the sound is on and alarm indicator flashes.

The alarm stops after closing the door. During the alarm, the sound can be muted by pressing any button.



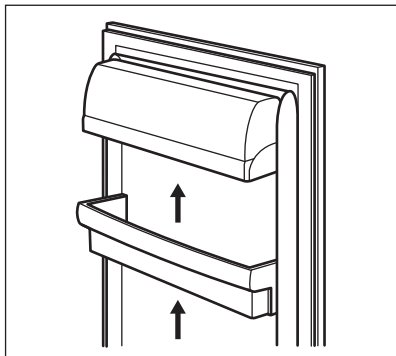
If you do not press any button, the sound switches off automatically after around one hour to avoid disturbing.

5. DAILY USE

5.1 Positioning the door shelves

To permit storage of food packages of various sizes, the door shelves can be placed at different heights.

1. Gradually pull the shelf up until it comes free.
2. Reposition as required.



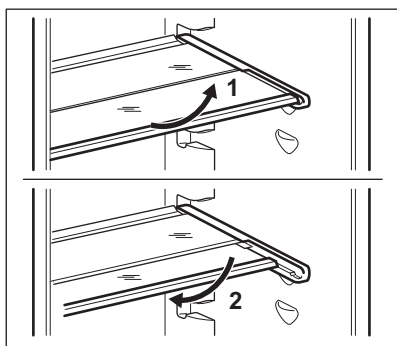
5.2 Movable shelves

The walls of the refrigerator are equipped with a series of runners so that the shelves can be positioned as desired.

This appliance is also equipped with a shelf consisting of two parts. The front half of the shelf can be placed under the second half to make better use of space.

To fold the shelf:

1. Take out the front half gently.
2. Slide it into the lower rail and under the second half.



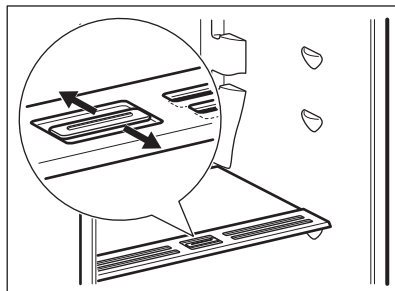
Do not move the glass shelf above the vegetable drawer to ensure correct air circulation.

5.3 Vegetable drawer

There is a special drawer in the bottom part of the appliance suitable for storage of fruits and vegetables.

5.4 Humidity control

The glass shelf incorporates a device with slits (adjustable by means of a sliding lever), which makes it possible to regulate the humidity in the vegetable drawer(s).



The position of the humidity control depends on the type and on the amount of fruits and vegetables:

- Slots closed: recommended when there is a small amount of fruits and vegetables. In this way, the natural moisture content in fruits and vegetables is preserved longer.
- Slots opened: recommended when there is a big amount of fruits and vegetables. In this way, more air circulation results in a lower air moisture.

5.5 Freezing fresh food

The freezer compartment is suitable for freezing fresh food and storing frozen and deep-frozen food for a long time.

To freeze fresh food activate the FastFreeze function at least 24 hours before placing the food to be frozen in the freezer compartment.

Store the fresh food evenly distributed in all compartments or drawers.

The maximum amount of food that can be frozen without adding other fresh food during 24 hours is specified on the rating plate (a label located inside the appliance).

When the freezing process is complete, the appliance automatically returns to the previous temperature setting (see "FastFreeze Function").

5.6 Storage of frozen food

When activating an appliance for the first time or after a period out of use, before putting the products in the compartment let the appliance run at least 3 hours with the FastFreeze function switched on.

Keep the food no closer than 15 mm from the door.



CAUTION!

In the event of accidental defrosting, for example due to a power failure, if the power has been off for longer than the value shown on rating plate under "rising time", the defrosted food must be consumed quickly or cooked immediately then cooled and then re-frozen.

5.7 Thawing

Deep-frozen or frozen food, prior to being consumed, can be thawed in the

refrigerator or inside a plastic bag under cold water.

This operation depends on the time available and on the type of food. Small pieces may even be cooked still frozen.

5.8 Ice-cube production

This appliance is equipped with one or more trays for the production of ice-cubes.



Do not use metallic instruments to remove the trays from the freezer.

1. Fill these trays with water.
2. Put the ice trays in the freezer compartment.

6. HINTS AND TIPS

6.1 Hints for energy saving

- Fridge: Most efficient use of energy is ensured in the configuration with the drawers in the bottom part of the appliance and shelves evenly distributed. Position of the door bins does not affect energy consumption.
- Do not open the door frequently or leave it open longer than necessary.
- Freezer: The colder the temperature setting, the higher the energy consumption.
- Fridge: Do not set too high temperature to save energy unless it is required by the characteristics of the food.
- If the ambient temperature is high and the temperature control is set to low temperature and the appliance is fully loaded, the compressor may run continuously, causing frost or ice formation on the evaporator. In this case, set the temperature control toward higher temperature to allow automatic defrosting and to save energy this way.

- Ensure a good ventilation. Do not cover the ventilation grilles or holes.


6.2 Hints for freezing

- Activate FastFreeze function at least 24 hours before placing the food inside the freezer compartment.
- Before freezing wrap and seal fresh food in: aluminium foil, plastic film or bags, airtight containers with lid.
- For more efficient freezing and thawing divide food into small portions.
- It is recommended to put labels and dates on all your frozen food. This will help to identify foods and to know when they should be used before their deterioration.
- The food should be fresh when being frozen to preserve good quality. Especially fruits and vegetables should be frozen after the harvest to preserve all of their nutrients.
- Do not freeze bottles or cans with liquids, in particular drinks containing

carbon dioxide - they may explode during freezing.

- Do not put hot food in the freezer compartment. Cool it down at room temperature before placing it inside the compartment.
- To avoid increase in temperature of already frozen food, do not place fresh unfrozen food directly next to it. Place food at room temperature in the part of the freezer compartment where there is no frozen food.
- Do not eat ice cubes, water ices or ice lollies immediately after taking them out of the freezer. Risk of frostbites.
- Do not re-freeze defrosted food. If the food has defrosted, cook it, cool it down and then freeze it.

6.3 Hints for storage of frozen food

- Freezer compartment is the one marked with .
- Good temperature setting that ensures preservation of frozen food products is a temperature less than or equal to -18°C . Higher temperature setting inside the appliance may lead to shorter shelf life.
- The whole freezer compartment is suitable for storage of frozen food products.

- Leave enough space around the food to allow air to circulate freely.
- For adequate storage refer to food packaging label to see the shelf life of food.
- It is important to wrap the food in such a way that prevents water, humidity or condensation from getting inside.

6.4 Shopping tips

After grocery shopping:

- Ensure that the packaging is not damaged - the food could be deteriorated. If the package is swollen or wet, it might have not been stored in the optimal conditions and defrosting may have already started.
- To limit the defrosting process buy frozen goods at the end of your grocery shopping and transport them in a thermal and insulated cool bag.
- Place the frozen foods immediately in the freezer after coming back from the shop.
- If food has defrosted even partially, do not re-freeze it. Consume it as soon as possible.
- Respect the expiry date and the storage information on the package.

6.5 Shelf life for freezer compartment


Type of food	Shelf life (months)
Bread	3
Fruits (except citrus)	6 - 12
Vegetables	8 - 10
Leftovers without meat	1 - 2
Dairy food:	
Butter	6 - 9
Soft cheese (e.g. mozzarella)	3 - 4
Hard cheese (e.g. parmesan, cheddar)	6
Seafood:	

Type of food	Shelf life (months)
Fatty fish (e.g. salmon, mackerel)	2 - 3
Lean fish (e.g. cod, flounder)	4 - 6
Shrimps	12
Shucked clams and mussels	3 - 4
Cooked fish	1 - 2
Meat:	
Poultry	9 - 12
Beef	6 - 12
Pork	4 - 6
Lamb	6 - 9
Sausage	1 - 2
Ham	1 - 2
Leftovers with meat	2 - 3

6.6 Hints for fresh food refrigeration

- Good temperature setting that ensures preservation of fresh food is a temperature less than or equal to +4°C.
Higher temperature setting inside the appliance may lead to shorter shelf life of food.
- Cover the food with packaging to preserve its freshness and aroma.
- Always use closed containers for liquids and for food, to avoid flavours or odours in the compartment.
- To avoid the cross-contamination between cooked and raw food, cover the cooked food and separate it from the raw one.
- It is recommended to defrost the food inside the fridge.
- Do not insert hot food inside the appliance. Make sure it has cooled down at room temperature before inserting it.
- To prevent food waste the new stock of food should always be placed behind the old one.

6.7 Hints for food refrigeration

- Fresh food compartment is the one marked (on the rating plate) with .
- Meat (all types): wrap in a suitable packaging and place it on the glass shelf above the vegetable drawer. Store meat for at most 1-2 days.
- Fruit and vegetables: clean thoroughly (eliminate the soil) and place in a special drawer (vegetable drawer).
- It is advisable not to keep the exotic fruits like bananas, mangos, papayas etc. in the refrigerator.
- Vegetables like tomatoes, potatoes, onions, and garlic should not be kept in the refrigerator.
- Butter and cheese: place in an airtight container or wrap in an aluminium foil or a polythene bag to exclude as much air as possible.
- Bottles: close them with a cap and place them on the door bottle shelf, or (if available) on the bottle rack.
- Always refer to the expiry date of the products to know how long to keep them.

7. CARE AND CLEANING



WARNING!

Refer to Safety chapters.

7.1 Cleaning the interior

Before using the appliance for the first time, the interior and all internal accessories should be washed with lukewarm water and some neutral soap

to remove the typical smell of a brand-new product, then dried thoroughly.



CAUTION!

Do not use detergents, abrasive powders, chlorine or oil-based cleaners as they will damage the finish.



CAUTION!

The accessories and parts of the appliance are not suitable for washing in a dishwasher.

7.2 Periodic cleaning

The equipment has to be cleaned regularly:

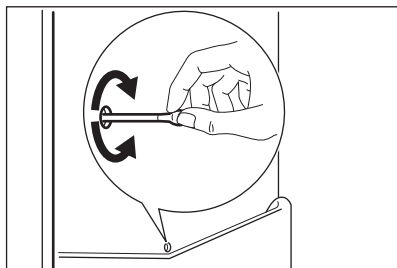
1. Clean the inside and accessories with lukewarm water and some neutral soap.
2. Regularly check the door seals and wipe them clean to ensure they are clean and free from debris.
3. Rinse and dry thoroughly.

7.3 Defrosting of the refrigerator

Frost is automatically eliminated from the evaporator of the refrigerator compartment during normal use. The defrost water drains out through a trough into a special container at the back of the appliance, over the motor compressor, where it evaporates.

It is important to periodically clean the defrost water drain hole in the middle of the refrigerator compartment channel to prevent the water overflowing and dripping onto the food inside.

For this purpose use the tube cleaner provided with the appliance.



7.4 Defrosting of the freezer



CAUTION!

Never use sharp metal tools to scrape off frost from the evaporator as you could damage it.

Do not use a mechanical device or any artificial means to speed up the thawing process other than those recommended by the manufacturer.



About 12 hours prior to defrosting set a lower temperature in order to build up sufficient chill reserve in case of any interruption in operation.

A certain amount of frost will always form on the freezer shelves and around the top compartment.

Defrost the freezer when the frost layer reaches a thickness of about 3-5 mm.

1. Switch off the appliance or pull out electrical plug from the wall socket.
2. Remove any stored food and put it in a cool place.



CAUTION!

A temperature rise of the frozen food packs during defrosting may shorten their safe storage life. Do not touch frozen goods with wet hands. Hands can freeze to the goods.

3. Leave the door open. Protect the floor from the defrosting water e.g. with a cloth or a flat vessel.
4. In order to speed up the defrosting process, place a pot of warm water in the freezer compartment. In addition, remove pieces of ice that break away before defrosting is complete.
5. When defrosting is complete, dry the interior thoroughly.
6. Switch on the appliance and close the door.
7. Set the temperature regulator to obtain the maximum coldness and

run the appliance for at least 3 hours using this setting.

Only after this time put the food back into the freezer compartment.

7.5 Period of non-operation

When the appliance is not in use for long period, take the following precautions:

1. Disconnect the appliance from electricity supply.
2. Remove all food.
3. Defrost the appliance.
4. Clean the appliance and all accessories.
5. Leave the doors open to prevent unpleasant smells.

8. TROUBLESHOOTING



WARNING!




Refer to Safety chapters.

8.1 What to do if...

Problem	Possible cause	Solution
The appliance does not operate.	The appliance is switched off.	Switch on the appliance.
	The mains plug is not connected to the mains socket correctly.	Connect the mains plug to the mains socket correctly.
	There is no voltage in the mains socket.	Connect a different electrical appliance to the mains socket. Contact a qualified electrician.
The appliance is noisy.	The appliance is not supported properly.	Check if the appliance stands stable.
Acoustic or visual alarm is on.	The cabinet has been recently switched on.	Refer to "Door Open Alarm" or "High Temperature Alarm".
	The temperature in the appliance is too high.	Refer to "Door Open Alarm" or "High Temperature Alarm".
	The door is left open.	Close the door.
The compressor operates continually.	Temperature is set incorrectly.	Refer to "Control Panel" chapter.
	Many food products were put in at the same time.	Wait a few hours and then check the temperature again.
	The room temperature is too high.	Refer to "Installation" chapter.
	Food products placed in the appliance were too warm.	Allow food products to cool to room temperature before storing.

Problem	Possible cause	Solution
	The door is not closed correctly.	Refer to "Closing the door" section.
	The FastFreeze function is switched on.	Refer to "FastFreeze function" section.
	The FastCool function is switched on.	Refer to "FastCool function" section.
The compressor does not start immediately after pressing the "FastFreeze" or "FastCool", or after changing the temperature.	The compressor starts after a period of time.	This is normal, no error has occurred.
Door is misaligned or interferes with ventilation grill.	The appliance is not levelled.	Refer to installation instructions.
Door does not open easily.	You attempted to re-open the door immediately after closing.	Wait a few seconds between closing and re-opening of the door.
The lamp does not work.	The lamp is in stand-by mode.	Close and open the door.
	The lamp is defective.	Contact the nearest Authorized Service Centre.
There is too much frost and ice.	The door is not closed correctly.	Refer to "Closing the door" section.
	The gasket is deformed or dirty.	Refer to "Closing the door" section.
	Food products are not wrapped properly.	Wrap the food products better.
	Temperature is set incorrectly.	Refer to "Control Panel" chapter.
	Appliance is fully loaded and is set to the lowest temperature.	Set a higher temperature. Refer to "Control Panel" chapter.
	Temperature set in the appliance is too low and the ambient temperature is too high.	Set a higher temperature. Refer to "Control Panel" chapter.
Water flows on the rear plate of the refrigerator.	During the automatic defrosting process, frost melts on the rear plate.	This is correct.
There is too much condensed water on the rear wall of the refrigerator.	Door was opened too frequently.	Open the door only when necessary.

Problem	Possible cause	Solution
	Door was not closed completely.	Make sure the door is closed completely.
	Stored food was not wrapped.	Wrap food in suitable packaging before storing it in the appliance.
Water flows inside the refrigerator.	Food products prevent the water from flowing into the water collector.	Make sure that food products do not touch the rear plate.
	The water outlet is clogged.	Clean the water outlet.
Water flows on the floor.	The melting water outlet is not connected to the evaporative tray above the compressor.	Attach the melting water outlet to the evaporative tray.
Temperature cannot be set.	The "FastFreeze function" or "FastCool function" is switched on.	Switch off "FastFreeze function" or "FastCool function" manually, or wait until the function deactivates automatically to set the temperature. Refer to "FastFreeze function" or "FastCool function" section.
The temperature in the appliance is too low/too high.	The temperature is not set correctly.	Set a higher/lower temperature.
	The door is not closed correctly.	Refer to "Closing the door" section.
	The food products' temperature is too high.	Let the food products temperature decrease to room temperature before storage.
	Many food products are stored at the same time.	Store less food products at the same time.
	The thickness of the frost is greater than 4-5 mm.	Defrost the appliance.
	The door has been opened often.	Open the door only if necessary.
	The FastFreeze function is switched on.	Refer to "FastFreeze function" section.
	The FastCool function is switched on.	Refer to "FastCool function" section.

Problem	Possible cause	Solution
	There is no cold air circulation in the appliance.	Make sure that there is cold air circulation in the appliance. Refer to "Hints and Tips" chapter.
Some specific surfaces inside the fridge compartment are warmer at some times.		This is a normal state.
DEMO appears on the display.	The appliance is in demonstration mode.	Keep the OK key pressed for approximately 10 seconds until a long sound is heard and the display turns off for a short time.
A  or  or  symbol is shown instead of numbers on the temperature display.	Temperature sensor problem.	Contact the nearest Authorized Service Centre (the cooling system will continue to keep food products cold, but temperature adjustment will not be possible).



If the advice does not lead to the desired result, call the nearest Authorized Service Centre.

8.2 Replacing the lamp

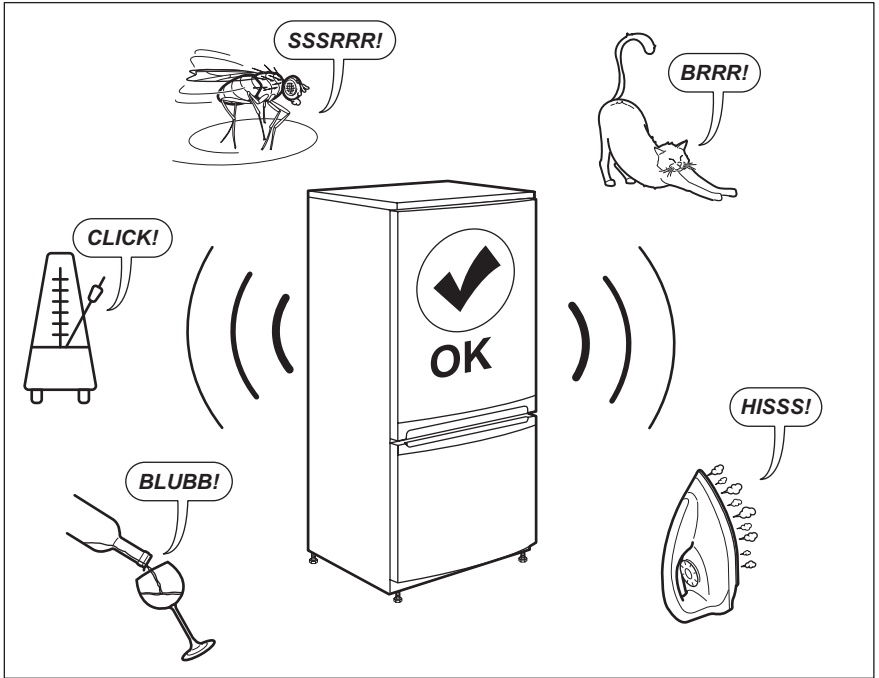
The appliance is equipped with a longlife LED interior light.

Only service is allowed to replace the lighting device. Contact your Authorised Service Centre.

8.3 Closing the door

1. Clean the door gaskets.
2. If necessary, adjust the door. Refer to installation instructions.
3. If necessary, replace the defective door gaskets. Contact the Authorised Service Centre.

9. NOISES



10. TECHNICAL DATA

The technical information is situated in the rating plate on the internal side of the appliance and on the energy label.

Voltage	Frequency
220~240 V	50 Hz

11. INFORMATION FOR TEST INSTITUTES


Installation and preparation of the appliance for any EcoDesign verification shall be compliant with EN 62552. Ventilation requirements, recess dimensions and minimum rear

clearances shall be as stated in this User Manual at Chapter 3. Please contact the manufacturer for any other further information, including loading plans.

12. CH GUARANTEE

Customer Service Centres

Point of Service		
Industriestrasse 10 5506 Mägenwil	Le Trési 6 1028 Préverenges	Via Violino 11 6928 Manno

Point of Service	
Morgenstrasse 131 3018 Bern	 <p>Service-Helpline 0848 848 111 service@electrolux.ch</p>
Langgasse 10 9008 St. Gallen	
Am Mattenhof 4a/b 6010 Kriens	
Schlossstrasse 1 4133 Pratteln	
Comercialstrasse 19 7000 Chur	


Spare parts service Industriestrasse 10,
5506 Mägenwil, Tel. 0848 848 111

Specialist advice/Sale Badenerstrasse
587, 8048 Zürich, Tel. 044 405 81 11

Warranty For each product we provide a two-year guarantee from the date of purchase or delivery to the consumer (with a guarantee certificate, invoice or sales receipt serving as proof). The

guarantee covers the costs of materials, labour and travel. The guarantee will lapse if the operating instructions and conditions of use are not adhered to, if the product is incorrectly installed, or in the event of damage caused by external influences, force majeure, intervention by third parties or the use of non-genuine components.

13. ENVIRONMENTAL CONCERNS

Recycle materials with the symbol .
Put the packaging in relevant containers to recycle it. Help protect the environment and human health by recycling waste of electrical and electronic appliances. Do not dispose of

appliances marked with the symbol  with the household waste. Return the product to your local recycling facility or contact your municipal office.



For Switzerland:

Where should you take your old equipment?
Anywhere that sells new equipment or hand it in to official SENS collection points or official SENS recycling firms.
The list of official SENS collection points can be found at www.erecycling.ch

INHALTSVERZEICHNIS

1. SICHERHEITSHINWEISE.....	23
2. SICHERHEITSANWEISUNGEN.....	25
3. MONTAGE.....	27
4. BEDIENFELD.....	30
5. TÄGLICHER GEBRAUCH.....	32
6. TIPPS UND HINWEISE.....	34
7. REINIGUNG UND PFLEGE.....	37
8. FEHLERSUCHE.....	38
9. GERÄUSCHE.....	43
10. TECHNISCHE DATEN.....	43
11. INFORMATIONEN FÜR PRÜFINSTITUTE.....	43
12. GARANTIE.....	43
13. UMWELTTIPPS.....	44

WIR DENKEN AN SIE

Vielen Dank für Ihren Kauf eines Electrolux-Geräts. Sie haben ein Produkt gewählt, das jahrzehntelange professionelle Erfahrung und Innovation mit sich bringt. Das ausgeklügelte und stilvolle Produkt wurde für Sie entwickelt. So können Sie jedes Mal, wenn Sie das Produkt verwenden, sicher sein, dass Sie großartige Ergebnisse erzielen werden.

Willkommen bei Electrolux.

Besuchen Sie uns auf unserer Website, um:



Anwendungshinweise, Prospekte, Informationen zu Fehlerbehebung, Service und Reparatur zu erhalten:

www.electrolux.com/support



Registrieren Sie Ihr Produkt, um einen erstklassigen Service zu erhalten:

www.registerelectrolux.com



Um Zubehör, Verbrauchsmaterial und Original-Ersatzteile für Ihr Gerät zu kaufen:

www.electrolux.com/shop

KUNDENDIENST UND SERVICE

Verwenden Sie immer Original-Ersatzteile.

Halten Sie folgende Angaben bereit, wenn Sie sich an einen autorisierten Kundendienst wenden: Modell, PNC, Seriennummer.

Die Daten finden Sie auf dem Typenschild.

 Warnungs-/Sicherheitshinweise

 Allgemeine Informationen und Empfehlungen

 Informationen zum Umweltschutz

Änderungen vorbehalten.

1. ⚠ SICHERHEITSHINWEISE

Lesen Sie vor der Montage und dem Gebrauch des Geräts zuerst die Bedienungsanleitung. Bei Verletzungen oder Schäden infolge nicht ordnungsgemäßer Montage oder Verwendung übernimmt der Hersteller keine Haftung. Bewahren Sie die Anleitung zum Nachschlagen an einem sicheren und zugänglichen Ort auf.

1.1 Sicherheit von Kindern und schutzbedürftigen Personen

- Das Gerät kann von Kindern ab 8 Jahren und Personen mit eingeschränkten physischen, sensorischen oder geistigen Fähigkeiten oder mit mangelnder Erfahrung/mangelndem Wissen benutzt werden, wenn sie durch eine für ihre Sicherheit zuständige Person beaufsichtigt werden oder von dieser Person Anweisungen erhalten haben, wie das Gerät sicher zu bedienen ist und welche Gefahren bei nicht ordnungsgemäßer Bedienung bestehen.
- Kinder zwischen 3 und 8 Jahren dürfen das Gerät be- und entladen, vorausgesetzt, sie wurden ordnungsgemäß eingewiesen.
- Dieses Gerät kann von Personen mit schweren und komplexen Behinderungen benutzt werden, vorausgesetzt, sie wurden ordnungsgemäß eingewiesen.
- Halten Sie Kinder unter 3 Jahren vom Gerät fern, wenn sie nicht ständig beaufsichtigt werden.
- Kinder sollten beaufsichtigt werden, um sicherzustellen, dass sie nicht mit dem Gerät.
- Kinder dürfen keine Reinigung und Wartung des Geräts ohne Beaufsichtigung durchführen.
- Halten Sie sämtliches Verpackungsmaterial von Kindern fern und entsorgen Sie es ordnungsgemäß.

1.2 Allgemeine Sicherheit

- Dieses Gerät ist für die Verwendung im Haushalt und ähnliche Zwecke vorgesehen, wie z. B.:
 - Bauernhöfe, Personalküchenbereiche in Geschäften, Büros und anderen Arbeitsumfeldern;
 - Für Gäste in Hotels, Motels, Pensionen und anderen wohnungsähnlichen Räumlichkeiten.
- Um eine Kontaminierung von Lebensmitteln zu vermeiden, beachten Sie die folgenden Hinweise:
 - Öffnen Sie die Tür nicht über längere Zeit hinweg;
 - Reinigen Sie regelmäßig Oberflächen, die mit Lebensmitteln in Kontakt kommen können, und zugängliche Ablaufsysteme;
 - Lagern Sie rohes Fleisch und Fisch in geeigneten Behältern im Kühlschrank, so dass sie nicht mit anderen Lebensmitteln in Berührung kommen oder auf diese tropfen.
- **WARNUNG:** Halten Sie die Lüftungsöffnungen im Gerätegehäuse oder in der Einbaunische frei von Hindernissen.
- **WARNUNG:** Versuchen Sie nicht, den Abtauvorgang durch andere als vom Hersteller empfohlene mechanische oder sonstige Hilfsmittel zu beschleunigen.
- **WARNUNG:** Achten Sie darauf, den Kältekreislauf nicht zu beschädigen.
- **WARNUNG:** Betreiben Sie in den Lebensmittelfächern des Geräts keine anderen als die vom Hersteller empfohlenen Elektrogeräte.
- Reinigen Sie das Gerät nicht mit Wasserspray oder Dampf.
- Reinigen Sie das Gerät mit einem weichen, feuchten Tuch. Verwenden Sie ausschließlich Neutralreiniger. Verwenden Sie keine Scheuermittel, Scheuerschwämme, scharfe Reinigungsmittel oder Metallgegenstände.

- Wenn das Gerät längere Zeit leer steht, schalten Sie es aus, tauen Sie es ab, reinigen und trocknen Sie es und lassen Sie die Tür offen, um Schimmelbildung im Gerät zu vermeiden.
- Bewahren Sie keine explosiven Substanzen wie Aerosoldosen mit brennbarem Treibgas in diesem Gerät auf.
- Wenn das Netzkabel beschädigt ist, muss es vom Hersteller, einem autorisierten Kundendienst oder einer ähnlich qualifizierten Person zur Vermeidung einer Gefahrenquelle ersetzt werden.

2. SICHERHEITSANWEISUNGEN

2.1 Montage



WARNUNG!

Die Montage des Geräts darf nur von einer qualifizierten Fachkraft durchgeführt werden.

- Entfernen Sie das gesamte Verpackungsmaterial.
- Montieren Sie ein beschädigtes Gerät nicht und benutzen Sie es nicht.
- Verwenden Sie das Gerät aus Sicherheitsgründen nicht, bevor es in den Einbauschrank gesetzt wird.
- Halten Sie sich an die mitgelieferte Montageanleitung.
- Seien Sie beim Umsetzen des Gerätes vorsichtig, da es sehr schwer ist. Tragen Sie stets Sicherheitshandschuhe und festes Schuhwerk.
- Stellen Sie sicher, dass die Luft um das Gerät zirkulieren kann.
- Warten Sie nach der Montage oder dem Wechsel des Türanschlags mindestens 4 Stunden, bevor Sie das Gerät an die Stromversorgung anschließen. So kann das Öl in den Kompressor zurückfließen.
- Ziehen Sie den Stecker aus der Steckdose, bevor Sie am Gerät arbeiten (z.B. Wechsel des Türanschlags).
- Stellen Sie das Gerät nicht in der Nähe von Heizkörpern, Herden, Backöfen oder Kochfeldern auf.

- Setzen Sie das Gerät nicht dem Regen aus.
- Installieren Sie das Gerät nicht an einem Ort mit direkter Sonneneinstrahlung.
- Stellen Sie dieses Gerät nicht in Bereichen auf, die zu feucht oder kalt sind.
- Wenn Sie das Gerät verschieben, heben Sie es an der Vorderkante an, um den Fußboden nicht zu verkratzen.

2.2 Elektrischer Anschluss



WARNUNG!

Brand- und Stromschlaggefahr.



WARNUNG!

Achten Sie bei der Montage des Geräts darauf, dass das Netzkabel nicht eingeklemmt oder beschädigt wird.



WARNUNG!

Verwenden Sie keine Mehrfachsteckdosen oder Verlängerungskabel.

- Das Gerät muss geerdet sein.
- Stellen Sie sicher, dass die Daten auf dem Typenschild mit den elektrischen Nennwerten der Netzspannung übereinstimmen.

- Schließen Sie das Gerät nur an eine ordnungsgemäß installierte Schutzkontaktsteckdose an.
- Achten Sie darauf, elektrische Bauteile (wie Netzstecker, Netzkabel und Kompressor) nicht zu beschädigen. Wenden Sie sich an den autorisierten Kundendienst oder einen Elektriker, um die elektrischen Bauteile auszutauschen.
- Das Netzkabel muss unterhalb des Netzsteckers verlegt werden.
- Stecken Sie den Netzstecker erst nach Abschluss der Montage in die Steckdose. Stellen Sie sicher, dass der Netzstecker nach der Montage noch zugänglich ist.
- Ziehen Sie nicht am Netzkabel, wenn Sie das Gerät von der Stromversorgung trennen möchten. Ziehen Sie stets am Netzstecker.
- Achten Sie darauf, dass keine heißen Gegenstände auf die Kunststoffteile des Geräts gelangen.
- Geben Sie keine Softdrinks in das Gefrierfach. Dadurch entsteht Druck auf den Getränkebehälter.
- Lagern Sie keine brennbaren Gase und Flüssigkeiten im Gerät.
- Platzieren Sie keine entflammaren Produkte oder Gegenstände, die mit entflammaren Produkten benetzt sind, im Gerät, auf dem Gerät oder in der Nähe des Geräts.
- Berühren Sie nicht den Kompressor oder den Kondensator. Diese sind heiß.
- Nehmen Sie keine Gegenstände aus dem Gefrierfach und berühren Sie diese nicht, falls Ihre Hände nass oder feucht sind.
- Frieren Sie aufgetaute Lebensmittel nicht wieder ein.
- Befolgen Sie die Hinweise auf der Verpackung zur Aufbewahrung tiefgekühlter Lebensmittel.
- Wickeln Sie die Lebensmittel in Lebensmittelkontaktmaterial ein, bevor Sie sie in das Gefrierfach legen.

2.3 Gebrauch



WARNUNG!

Es besteht Verletzungs-, Verbrennungs-, Stromschlag- oder Brandgefahr.



Das Gerät enthält Isobutan (R600a), ein brennbares Erdgas mit einem hohen Grad an Umweltverträglichkeit. Achten Sie darauf, den Kältekreislauf, der Isobutan enthält, nicht zu beschädigen.

- Nehmen Sie keine technischen Änderungen am Gerät vor.
- Jegliche Verwendung des eingebauten Produkts als freistehendes Produkt ist strengstens untersagt.
- Stellen Sie keine elektrischen Geräte (z. B. Eisbereiter) in das Gerät, wenn solche Geräte nicht ausdrücklich vom Hersteller für diesen Zweck zugelassen sind.
- Wird der Kältekreislauf beschädigt, stellen Sie bitte sicher, dass keine Flammen und Zündquellen im Raum vorhanden sind. Lüften Sie den Raum.

2.4 Innenbeleuchtung



WARNUNG!

Stromschlaggefahr.

- Dieses Produkt enthält eine Lichtquelle der Energieeffizienzklasse F.
- Bezüglich der Lampe(n) in diesem Gerät und separat verkaufter Ersatzlampen: Diese Lampen müssen extremen physikalischen Bedingungen in Haushaltsgeräten standhalten, wie z.B. Temperatur, Vibration, Feuchtigkeit, oder sollen Informationen über den Betriebszustand des Gerätes anzeigen. Sie sind nicht für den Einsatz in anderen Geräten vorgesehen und nicht für die Raumbelichtung geeignet.

2.5 Reinigung und Pflege



WARNUNG!

Verletzungsgefahr sowie Risiko von Schäden am Gerät.

- Schalten Sie das Gerät immer aus und ziehen Sie den Netzstecker aus der Steckdose, bevor Reinigungsarbeiten durchgeführt werden.
- Der Kältekreis des Gerätes enthält Kohlenwasserstoffe. Das Gerät muss von einer qualifizierten Fachkraft gewartet und nachgefüllt werden.
- Prüfen Sie regelmäßig den Wasserabfluss des Geräts und reinigen Sie ihn gegebenenfalls. Bei verstopftem Wasserabfluss sammelt sich das Abtauwasser am Boden des Geräts an.

2.6 Wartung

- Wenden Sie sich zur Reparatur des Geräts an den autorisierten Kundendienst. Dabei dürfen ausschließlich Originalersatzteile verwendet werden.
- Bitte beachten Sie, dass eigene Reparaturen oder Reparaturen, die nicht von Fachkräften durchgeführt werden, die Sicherheit des Geräts beeinträchtigen und zum Erlöschen der Garantie führen können.
- Die folgenden Ersatzteile werden auch nach dem Auslauf des Modells 7

Jahre lang vorgehalten: Thermostate, Temperatursensoren, Platinen, Lichtquellen, Lichtquellen, Türscharniere, Backbleche und Körbe. Bitte beachten Sie, dass einige dieser Ersatzteile nur an Reparaturbetriebe geliefert werden können und nicht alle Ersatzteile für alle Modelle relevant sind.

- Türdichtungen sind innerhalb von 10 Jahren nach Produkteinstellung des Modells erhältlich.

2.7 Entsorgung



WARNUNG!

Verletzungs- und Erstickungsgefahr.

- Trennen Sie das Gerät von der Stromversorgung.
- Schneiden Sie das Netzkabel ab, und entsorgen Sie es.
- Entfernen Sie die Tür, um zu verhindern, dass sich Kinder oder Haustiere in dem Gerät einschließen.
- Der Kältekreislauf und die Isolierungsmaterialien dieses Gerätes sind ozonfreundlich.
- Die Isolierung enthält entzündliches Gas. Für Informationen zur korrekten Entsorgung des Gerätes wenden Sie sich an Ihre kommunale Behörde.
- Achten Sie darauf, dass die Kühleinheit in der Nähe des Wärmetauschers nicht beschädigt wird.

3. MONTAGE



WARNUNG!

Siehe Kapitel Sicherheitshinweise.



WARNUNG!

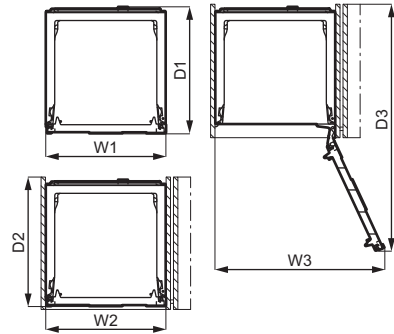
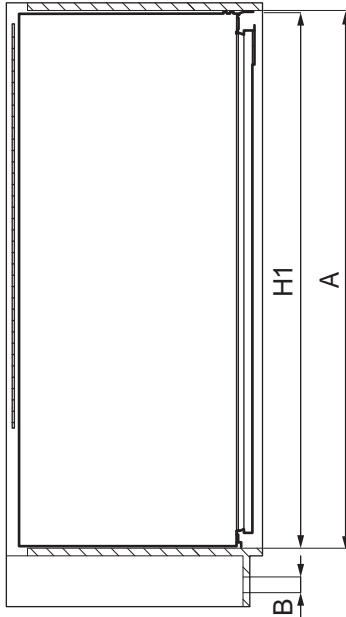
Lesen Sie zur Installation des Geräts die Montageanleitung.



WARNUNG!

Befestigen Sie das Gerät gemäß der Montageanleitung, um das Risiko eines instabilen Geräts zu vermeiden.

3.1 Abmessungen



Gesamtabmessungen ¹		
H1	mm	1267
W1	mm	548
D1	mm	576

¹ Höhe, Breite und Tiefe des Geräts ohne Griff

Platzbedarf während des Betriebs ²		
H2 (A+B)	mm	1307
W2	mm	549
D2	mm	585
A	mm	1270
B	mm	37

² Höhe, Breite und Tiefe des Geräts einschließlich Griff und zuzüglich des notwendigen Freiraums für die Zirkulation der Kühlluft

Platzbedarf insgesamt während des Betriebs ³		
H3 (A+B)	mm	1307
W3	mm	767
D3	mm	1115

³ Höhe, Breite und Tiefe des Geräts einschließlich Griff plus des notwendigen Freiraums für die Zirkulation der Kühlluft, zuzüglich des Platzes, der notwendig ist, um eine Türöffnung bis zu dem minimalen Winkel zu ermöglichen, der die Entfernung der gesamten Innenausstattung erlaubt

3.2 Standort

Um die beste Funktionalität des Gerätes zu gewährleisten, sollten Sie das Gerät nicht in der Nähe von Wärmequellen (Backöfen, Heizöfen, Heizkörpern, Herden oder Kochfeldern) oder an einem Ort mit direkter Sonneneinstrahlung installieren. Stellen Sie sicher, dass die

Luft frei um die Geräterückseite zirkulieren kann.

Dieses Gerät sollte in einem trockenen, gut belüfteten Innenbereich aufgestellt werden.

Dieses Gerät ist für den Einsatz bei einer Umgebungstemperatur von 10°C bis 43°C vorgesehen.

i Der ordnungsgemäße Betrieb des Geräts wird nur innerhalb des angegebenen Temperaturbereichs gewährleistet.

i Bei Fragen zum Aufstellungsort des Geräts wenden Sie sich an den Verkäufer, unseren Kundendienst oder nächstgelegenen autorisierten Kundendienst.

i Es muss möglich sein, das Gerät vom Netz zu trennen. Daher muss der Stecker nach der Installation zugänglich bleiben.

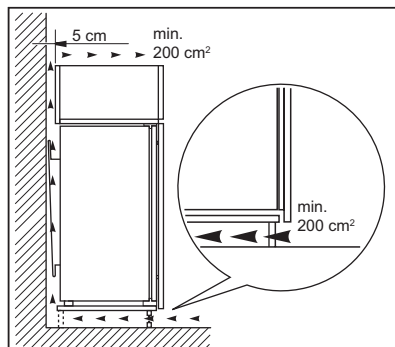
3.3 Elektroanschluss

- Kontrollieren Sie vor dem Einschalten des Geräts, ob die Netzspannung und -frequenz Ihres Hausanschlusses mit den auf dem Typenschild angegebenen Anschlusswerten übereinstimmen.
- Das Gerät muss geerdet sein. Zu diesem Zweck ist der Netzstecker mit einem Schutzkontakt ausgestattet. Falls die Steckdose Ihres Hausanschlusses nicht geerdet sein sollte, lassen Sie das Gerät gemäß den geltenden Vorschriften von einem qualifizierten Elektriker erden.

- Der Hersteller übernimmt keinerlei Haftung bei Missachtung der vorstehenden Sicherheitshinweise.
- Das Gerät entspricht den EC-Richtlinien.

3.4 Anforderungen an die Belüftung

Der Luftstrom hinter dem Gerät muss ausreichend sein.



VORSICHT!

Lesen Sie die Montageanleitungen für die Installation.

3.5 Wechseln des Türanschlags

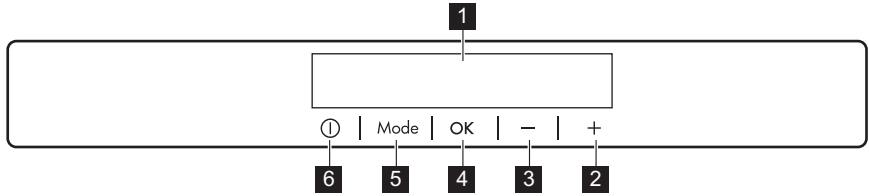
Informationen zu Montage und zum Wechseln des Türanschlags finden Sie in einer separaten Anleitung.



VORSICHT!

Wenn Sie den Türanschlag wechseln, schützen Sie den Boden mit einem strapazierfähigem Material vor Verkratzungen.

4. BEDIENFELD

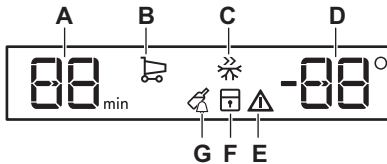


- | | |
|---|-----------------|
| 1 Display | 5 Mode |
| 2 Taste zum Erhöhen der Temperatur | 6 ON/OFF |
| 3 Taste zum Senken der Temperatur | |
| 4 OK | |

Der voreingestellte Tastenton lässt sich ändern. Halten Sie dazu Mode und die Taste zum Senken der Temperatur einige Sekunden gleichzeitig gedrückt.

Die Änderung lässt sich rückgängig machen.

4.1 Display



- A. Timer-Anzeige
- B. Funktion FastCool
- C. Funktion FastFreeze
- D. Temperaturanzeige
- E. Alarmanzeige
- F. Funktion ChildLock
- G. Funktion DrinksChill

4.2 Einschalten des Geräts

1. Stecken Sie den Netzstecker in die Netzsteckdose.
2. Drücken Sie ON/OFF, wenn das Display ausgeschaltet ist. Die Temperaturanzeigen zeigen die jeweils eingestellte Standardtemperatur an.

Informationen zur Auswahl einer anderen Temperatur finden Sie unter „Temperaturregelung“.

Wenn im Display "dEMo" angezeigt wird, siehe Abschnitt „Fehlersuche“.

4.3 Ausschalten des Geräts

1. Halten Sie ON/OFF 3 Sekunden gedrückt.
Das Display wird ausgeschaltet.
2. Ziehen Sie den Netzstecker aus der Netzsteckdose.

4.4 Temperaturregelung

Stellen Sie die Temperatur des Geräts durch Drücken der Temperaturregler ein.

Die empfohlene Einstelltemperatur ist:

- +4 °C für den Kühlschrank

Der Temperatureinstellbereich liegt zwischen 2 °C und 8 °C für den Kühlschrank.

Die Temperaturanzeigen zeigen die eingestellte Temperatur an.



Die eingestellte Temperatur wird innerhalb von 24 Stunden erreicht.
Nach einem Stromausfall bleibt die eingestellte Temperatur gespeichert.

4.5 Funktion FastCool

Wenn Sie zum Beispiel nach einem Einkauf größere Mengen warmer Lebensmittel in den Kühlschrank einlegen möchten, empfehlen wir die Aktivierung der Funktion FastCool, um die Lebensmittel schneller zu kühlen und um zu vermeiden, dass die bereits im Kühlschrank befindlichen Lebensmittel erwärmt werden.

1. Drücken Sie Mode, bis das entsprechende Symbol angezeigt wird.

Die Anzeige FastCool blinkt.

2. Mit OK bestätigen.

Die Anzeige FastCool erscheint.

Die Funktion wird nach etwa 6 Stunden automatisch ausgeschaltet.

Sie können die Funktion FastCool vor ihrer automatischen Abschaltung ausschalten, indem Sie das Verfahren wiederholen oder eine andere Kühlschranktemperatur einstellen.

4.6 Funktion FastFreeze

Die Funktion FastFreeze dient dazu das Gefrierfach auf das Vorgefrieren und anschließende Schnellgefrieren der Lebensmittel vorzubereiten. Die Funktion ist eine Schnellgefrierfunktion, die die Tiefkühlung neu hinzukommender Lebensmittel beschleunigt und gleichzeitig die bereits tiefgekühlten Lebensmittel vor unerwünschter Erwärmung schützt.



Um frische Lebensmittel einzufrieren, schalten Sie die FastFreeze-Funktion mindestens 24 Stunden, bevor Sie die einzufrierenden Lebensmittel in das Gefrierfach hinein legen, ein.

1. Drücken Sie zum Einschalten dieser Funktion die Mode-Taste, bis das entsprechende Symbol leuchtet.

Die Anzeige FastFreeze blinkt.

2. Mit OK bestätigen.

Die Anzeige FastFreeze erscheint.

Diese Funktion endet automatisch nach 28 Stunden.

Sie können die Funktion FastFreeze vor ihrer automatischen Abschaltung ausschalten, indem Sie das Verfahren wiederholen, bis die Anzeige FastFreeze erlischt oder eine andere Temperatur einstellen.

4.7 Funktion ChildLock

Schalten Sie die Funktion ChildLock ein, um die Tasten gegen eine unbeabsichtigte Betätigung zu verriegeln.

1. Drücken Sie Mode, bis das entsprechende Symbol angezeigt wird.

Die Anzeige ChildLock blinkt.

2. Drücken Sie OK zur Bestätigung.

Die Anzeige ChildLock erscheint.

Um die Funktion ChildLock auszuschalten, wiederholen Sie den Vorgang, bis die Anzeige ChildLock erlischt.

4.8 Funktion DrinksChill

Mit der Funktion DrinksChill wird ein akustischer Alarm auf eine gewünschte Zeit eingestellt. Dies ist zum Beispiel nützlich, wenn ein Rezept erfordert, dass eine Speise für eine bestimmte Zeit abkühlen muss.

Sie ist ebenfalls nützlich, wenn Sie die Flaschen oder Dosen, die Sie für eine schnellere Kühlung in den Gefrierraum gelegt haben, nicht vergessen möchten.

1. Drücken Sie Mode, bis das entsprechende Symbol angezeigt wird.

Die Anzeige DrinksChill blinkt.

Der Timer zeigt den eingestellten Wert (30 Minuten) einige Sekunden lang an.

2. Drücken Sie den Timerregler, um den eingestellten Wert des Timers auf 1 bis 90 Minuten zu ändern.
3. Drücken Sie OK zur Bestätigung.

Die Anzeige DrinksChill erscheint.

Im Timer blinkt (min).

Nach Ablauf des Countdowns blinkt die Anzeige „0 min“ und es ertönt ein Alarmsignal. Schalten Sie den Alarmton und die Funktion mit OK aus.

Wiederholen Sie zum Ausschalten der Funktion die obigen Schritte, bis DrinksChill erlischt.

- i** Die Zeit kann während des Countdowns und am Ende geändert werden, indem Sie die Tasten zur Erhöhung und Verringerung der Temperatur drücken.

4.9 Alarm Tür offen

Wenn die Kühlschranktür etwa 5 Minuten geöffnet bleibt, ertönt der Signalton und die Alarmanzeige blinkt.

Der Signalton erlischt, wenn die Tür geschlossen wird. In der Alarmphase kann der Signalton durch Drücken einer beliebigen Taste ausgeschaltet werden.

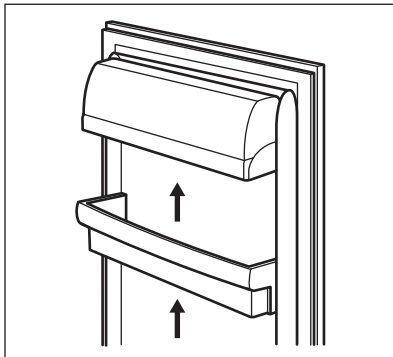
- i** Wenn Sie keine Taste drücken, schaltet sich der Ton nach etwa einer Stunde automatisch ab, um nicht zu stören.

5. TÄGLICHER GEBRAUCH

5.1 Positionieren der Türablagen

Um die Lagerung von Lebensmittelpackungen verschiedener Größen zu ermöglichen, können die Türunterteilungsfächer in verschiedenen Höhen angeordnet werden.

1. Ziehen Sie die Ablage langsam nach oben, bis diese sich löst.
2. Positionieren Sie diese neu wie erforderlich.



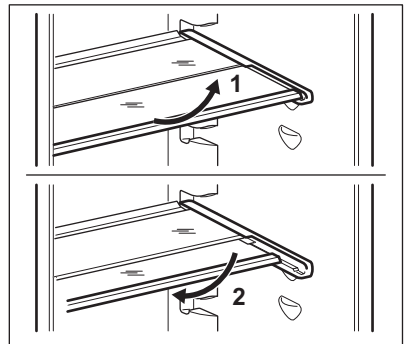
5.2 Verstellbare Ablagen

Die Wände des Kühlschranks sind mit einer Reihe von Führungsschienen ausgestattet, die verschiedene Möglichkeiten für das Einsetzen der Ablagen bieten.

Dieses Gerät ist auch mit einer aus zwei Teilen bestehenden Ablage ausgestattet. Die vordere Hälfte kann unter der zweiten Hälfte platziert werden, um den Stauraum besser auszunutzen.

Ablage einschieben:

1. Nehmen Sie die vordere Hälfte vorsichtig heraus.
2. Schieben Sie sie in die untere Führung und unter die zweite Hälfte.



- i** Die Glasablage über der Gemüseschublade sollte jedoch nicht verstellbar werden, um eine korrekte Luftzirkulation zu gewährleisten.

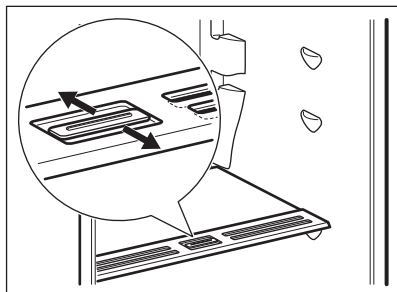
5.3 Obst- / Gemüseschublade

Im unteren Teil des Geräts befindet sich eine spezielle Schublade, die sich zur

Aufbewahrung von Obst und Gemüse eignet.

5.4 Feuchtigkeitsregulierung

In die Glasablage ist eine Vorrichtung mit (über einen Schieber verstellbaren) Schlitz integriert, die die Feuchtigkeitsregelung in den Gemüseschubladen ermöglicht.



Die Position des Feuchtigkeitsreglers hängt von der Art und der Menge des Obstes und Gemüses ab:

- Schlitz geschlossen: Für eine kleine Menge an Obst und Gemüse empfohlen. So bleibt der Feuchtigkeitsgehalt im Obst und Gemüse länger erhalten.
- Schlitz geöffnet: Für eine große Menge an Obst und Gemüse empfohlen. Auf diese Weise führt eine höhere Luftzirkulation zu einer geringeren Luftfeuchtigkeit.

5.5 Einfrieren frischer Lebensmittel

Das Gefrierfach eignet sich zum Einfrieren frischer Lebensmittel und zur langfristigen Aufbewahrung gefrorener und tiefgefrorener Lebensmittel.

Um frische Lebensmittel einzufrieren, aktivieren Sie bitte die FastFreeze-Funktion mindestens 24 Stunden, bevor Sie die einzufrierenden Lebensmittel in das Gefrierfach legen.

Lagern Sie frische Lebensmittel gleichmäßig verteilt in allen Fächern oder Schubladen.

Die maximale Menge an Lebensmitteln, die ohne Hinzufügen von anderen frischen Lebensmittel innerhalb von 24

Stunden eingefroren werden kann, ist auf dem Typenschild (einem Schild im Gerät) angegeben.

Nach Abschluss des Gefriervorgangs kehrt das Gerät automatisch auf die vorherige Temperatureinstellung zurück (siehe „FastFreeze-Funktion“).

5.6 Lagerung von Tiefkühlgerichten

Lassen Sie das Gerät vor der ersten Inbetriebnahme oder nach einer Zeit, in der das Gerät nicht benutzt wurde, mindestens 3 Stunden lang mit eingeschalteter Funktion FastFreeze laufen, bevor Sie Lebensmittel in das Fach legen.

Lagern Sie die Lebensmittel mit einem Mindestabstand von 15 mm zur Tür.



VORSICHT!

Kam es zum Beispiel zum Auftauen durch einen Stromausfall, der länger dauerte, als der auf dem Typenschild angegebene Wert unter Lagerzeit bei Störung, dann müssen die aufgetauten Lebensmittel schnell verbraucht oder sofort gekocht und nach dem Abkühlen wieder eingefroren werden.

5.7 Abtauen

Tiefgefrorene oder gefrorene Lebensmittel können vor dem Verzehr im Kühlschrank oder in einem Plastikbeutel unter kaltem Wasser aufgetaut werden.

Dieser Vorgang hängt von der verfügbaren Zeit und der Lebensmittelart ab. Kleinere Gefriergutteile können sogar noch gefroren gekocht werden.

5.8 Herstellen von Eiswürfeln

Dieses Gerät ist mit einer oder mehreren Schalen für die Herstellung von Eiswürfeln ausgestattet.



Verwenden Sie zum Entnehmen der Schalen aus dem Gefrierfach keine Gegenstände aus Metall.

1. Füllen Sie die Schalen mit Wasser.
2. Stellen Sie die Eisschalen in das Gefrierfach.

6. TIPPS UND HINWEISE

6.1 Tipps zum Energiesparen


- Kühlschrank: Die effizienteste Energienutzung wird erreicht, wenn die Schubladen im unteren Teil des Geräts eingesetzt und die Ablagen gleichmäßig angeordnet sind. Die Position der Türablagen wirkt sich nicht auf den Energieverbrauch aus.
- Öffnen Sie die Tür nicht zu häufig, und lassen Sie diese nicht länger offen als notwendig.
- Gefriergerät: Je kälter die Temperatureinstellung, desto höher der Energieverbrauch.
- Kühlschrank: Stellen Sie die Temperatur nicht zu hoch ein, um Energie zu sparen, es sei denn, dies ist wegen der Beschaffenheit des Lebensmittels erforderlich.
- Wenn die Umgebungstemperatur hoch ist, der Temperaturregler auf eine niedrige Temperatur eingestellt und das Gerät voll beladen ist, kann es zu andauerndem Betrieb des Kompressors und damit zu Reif- oder Eisbildung am Verdampfer kommen. Stellen Sie in diesem Fall den Temperaturregler auf eine höhere Temperatur, um das automatische Abtauen zu ermöglichen und Energie zu sparen.
- Sorgen Sie für eine gute Belüftung. Bedecken Sie die Belüftungsgitter oder -öffnungen nicht.

6.2 Hinweise zum Einfrieren

- Schalten Sie die FastFreeze-Funktion mindestens 24 Stunden, bevor Sie die Lebensmittel in das Gefrierfach hinein legen, ein.
- Vor dem Einfrieren verpacken und verschließen Sie frische Lebensmittel in: Aluminiumfolie, Kunststoffolie oder -beutel, luftdichte Behälter mit Deckel.
- Teilen Sie die Lebensmittel in kleine Portionen, um das Einfrieren und Auftauen zu erleichtern.

- Es wird empfohlen, Ihre tiefgekühlten Lebensmittel mit Etiketten und dem Datum zu versehen. So können Sie die Lebensmittel identifizieren und erkennen wann sie verzehrt werden sollten, bevor sie verderben.
- Die Lebensmittel sollten beim Einfrieren frisch sein, um eine gute Qualität zu bewahren. Besonders Obst und Gemüse sollte nach der Ernte eingefroren werden, um alle Nährstoffe zu erhalten.
- Frieren Sie keine Flaschen oder Dosen mit Flüssigkeiten, insbesondere kohensäurehaltige Getränke, ein - die Gefäße können beim Einfrieren explodieren.
- Geben Sie keine heißen Lebensmittel in den Gefrierraum. Vergewissern Sie sich, dass sie auf Raumtemperatur abgekühlt sind, bevor Sie sie in das Fach legen.
- Um eine Erwärmung bereits eingefrorener Lebensmittel zu verhindern, legen Sie die frischen, nicht gefrorenen Lebensmittel nicht direkt neben sie. Legen Sie die Lebensmittel mit Raumtemperatur in die Gefrierfächer, die keine gefrorenen Lebensmittel enthalten.
- Essen Sie keine Eiswürfel, Wassereis oder Eis am Stiel, wenn sie direkt aus dem Gefriergerät genommen wurden. Gefahr von Erfrierungen.
- Frieren Sie aufgetaute Lebensmittel nicht wieder ein. Wenn Lebensmittel aufgetaut wurden, kochen Sie sie, lassen Sie sie abkühlen und frieren Sie sie dann ein.

6.3 Hinweise zur Lagerung von Tiefkühlgerichten

- Das Gefrierfach ist mit  gekennzeichnet.
- Eine gute Temperatureinstellung, die die Konservierung von Tiefkühlgerichten sicherstellt, ist eine

Temperatur von weniger oder gleich -18 °C.

Eine höhere Temperatureinstellung im Gerät kann die Haltbarkeit verkürzen.

- Der gesamte Gefrierraum ist für die Lagerung von Tiefkühlprodukten geeignet.
- Lassen Sie ausreichend Platz um die Lebensmittel herum, damit die Luft frei zirkulieren kann.
- Die Haltbarkeit von Lebensmitteln ist auf dem Etikett der Lebensmittelverpackung angegeben.
- Es ist wichtig, die Lebensmittel so zu verpacken, dass kein Wasser, Feuchtigkeit oder Kondenswasser ins Innere gelangt.

6.4 Einkaufstipps

Nach dem Lebensmitteleinkauf:

- Achten Sie darauf, dass die Verpackung nicht beschädigt ist - die

Lebensmittel könnten verdorben sein. Wenn die Verpackung aufgequollen oder nass ist, wurde das Lebensmittel möglicherweise nicht unter den optimalen Bedingungen gelagert und das Auftauen hat eventuell bereits begonnen.

- Um den Auftauprozess zu minimieren, kaufen Sie Tiefkühlware am Ende Ihres Einkaufs und transportieren Sie diese in einer Isoliertasche.
- Legen Sie die tiefgefrorenen Lebensmittel sofort nach der Rückkehr aus dem Laden in das Gefriergerät.
- Wenn Lebensmittel auch nur teilweise aufgetaut sind, dürfen sie nicht wieder eingefroren werden. Verzehren Sie sie schnell wie möglich.
- Beachten Sie das Haltbarkeitsdatum und die Lagerinformationen auf der Verpackung.

6.5 Lagerdauer im Gefrierfach


Lebensmittel	Lagerdauer (Monate)
Brot	3
Früchte (außer Zitrusfrüchten)	6 - 12
Gemüse	8 - 10
Reste ohne Fleisch	1 - 2
Molkereiprodukte:	
Butter	6 - 9
Weichkäse (z. B. Mozzarella)	3 - 4
Hartkäse (z. B. Parmesan, Cheddar)	6
Meeresfrüchte:	
Fetthaltiger Fisch (z. B. Lachs, Makrele)	2 - 3
Fettarmer Fisch (z. B. Dorsch, Flunder)	4 - 6
Shrimps	12
Muscheln und Miesmuscheln ohne Schale	3 - 4
Gekochter Fisch	1 - 2
Fleisch:	

Lebensmittel	Lagerdauer (Monate)
Geflügel	9 - 12
Rindfleisch	6 - 12
Schweinefleisch	4 - 6
Lamm	6 - 9
Wurst	1 - 2
Schinken	1 - 2
Reste mit Fleisch	2 - 3

6.6 Hinweise für die Kühlung frischer Lebensmittel

- Eine gute Temperatureinstellung, die die Konservierung von frischen Lebensmitteln sicherstellt, ist eine Temperatur von weniger oder gleich +4 °C.
Eine höhere Temperatureinstellung im Gerät kann die Haltbarkeit der Lebensmittel verkürzen.
- Decken Sie die Lebensmittel mit Verpackungsmaterial ab, um ihre Frische und ihr Aroma zu bewahren.
- Verwenden Sie immer geschlossene Behälter für Flüssigkeiten und Lebensmittel, um Düfte oder Gerüche im Fach zu vermeiden.
- Um eine Kreuzkontamination zwischen gekochten und rohen Lebensmitteln zu vermeiden, decken Sie die gekochten Lebensmittel ab und trennen Sie sie von den rohen.
- Es wird empfohlen Lebensmittel im Kühlschrank aufzutauen.
- Stellen Sie keine warmen Lebensmittel in das Gerät.
Vergewissern Sie sich, dass sie auf Raumtemperatur abgekühlt sind, bevor Sie sie einlegen.
- Um eine Verschwendung von Lebensmitteln zu vermeiden, sollten die neuen Lebensmittel immer hinter die alten gelegt werden.
- Fleisch (alle Sorten): Wickeln Sie Fleisch in geeignetes Verpackungsmaterial ein und legen Sie es auf die Glasablage über der Gemüseschublade. Bewahren Sie Fleisch höchstens 1 - 2 Tage auf.
- Obst und Gemüse: Gründlich reinigen (Erde entfernen) und in das spezielle Fach (Obst- und Gemüsefach) legen.
- Es wird empfohlen, exotische Früchte wie Bananen, Mangos, Papayas usw. nicht im Kühlschrank aufzubewahren.
- Gemüse wie Tomaten, Kartoffeln, Zwiebeln und Knoblauch sollten nicht im Kühlschrank aufbewahrt werden.
- Butter und Käse: Diese sollten stets in einen luftdichten Behälter gelegt oder in Aluminiumfolie bzw. in Plastikbeutel eingepackt werden, um so wenig Luft wie möglich in der Verpackung zu belassen.
- Flaschen: Flaschen müssen mit verschlossenem Deckel in der Flaschenablage der Tür oder im Flaschenhalter (falls vorhanden) aufbewahrt werden.
- Achten Sie auf das Haltbarkeitsdatum der Lebensmittel, damit Sie wissen, wie lange sie gelagert werden können.

6.7 Hinweise für die Kühlung von Lebensmitteln

- Das Fach für frische Lebensmittel ist (auf dem Typenschild) mit  gekennzeichnet.

7. REINIGUNG UND PFLEGE



WARNUNG!
Siehe Kapitel
Sicherheitshinweise.

7.1 Reinigen des Innenraums

Bevor Sie das Gerät in Betrieb nehmen, beseitigen Sie den typischen Neugeruch am besten durch Reinigen der Innenteile mit lauwarmem Wasser und einer neutralen Seife. Sorgfältig nachtrocknen.



VORSICHT!
Verwenden Sie keine chemischen Reinigungsmittel, Scheuermittel, chlor- oder ölhaltige Reinigungsmittel, da diese die Oberfläche beschädigen.



VORSICHT!
Das Zubehör des Geräts und die Innenteile eignen sich nicht für die Reinigung im Geschirrspüler.

7.2 Regelmäßige Reinigung

Das gesamte Gerät muss regelmäßig gereinigt werden:

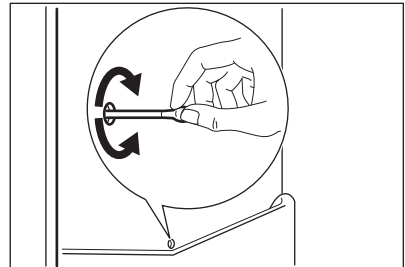
1. Reinigen Sie das Innere und die Zubehörteile mit lauwarmem Wasser und etwas Neutralseife.
2. Prüfen und säubern Sie die Türdichtungen in regelmäßigen Abständen, um zu gewährleisten, dass diese sauber und frei von Fremdkörpern sind.
3. Spülen und trocknen Sie diese sorgfältig ab.

7.3 Abtauen des Kühlschranks

Bei normalem Betrieb wird Reif automatisch aus dem Verdampfer des Kühlschranks entfernt. Das Tauwasser sammelt sich in einer Auffangrinne und läuft durch eine Abflussöffnung in einen speziellen Behälter an der Rückseite des Geräts über dem Kompressor, wo es verdampft.

Eine regelmäßige Reinigung des Abtawasser-Ablauflochs in der Mitte des Kühlfachkanals ist wichtig, um zu verhindern, dass das Wasser überläuft und auf die eingelagerten Lebensmittel tropft.

Benutzen Sie hierfür den Rohrreiner, der mit dem Gerät geliefert wird.



7.4 Abtauen des Gefriergeräts



VORSICHT!
Verwenden Sie niemals scharfe Metallwerkzeuge, um Reif vom Verdampfer zu kratzen, weil er dadurch beschädigt werden könnte. Versuchen Sie nicht, den Abtauvorgang durch andere als vom Hersteller empfohlene mechanische oder sonstige Hilfsmittel zu beschleunigen.



Stellen Sie ungefähr 12 Stunden vor dem Abtauen eine niedrigere Temperatur ein, um ausreichend Kältereserve für die Betriebsunterbrechung aufzubauen.

Auf den Ablagen des Gefriergeräts und im Innern des oberen Fachs bildet sich stets etwas Reif.

Tauen Sie das Gefriergerät ab, wenn die Reifschicht eine Stärke von etwa 3 bis 5 mm erreicht hat.

1. Schalten Sie das Gerät aus, oder ziehen Sie den Netzstecker aus der Steckdose.

- Entnehmen Sie die eingelagerten Lebensmittel und lagern Sie sie an einem kühlen Ort.



VORSICHT!

Ein Temperaturanstieg der gefrorenen Lebensmittelpakete während des Abtauens kann deren Haltbarkeitsdauer verkürzen. Fassen Sie gefrorene Lebensmittel nicht mit nassen Händen an. Ihre Hände könnten an den Lebensmitteln festfrieren.

- Lassen Sie die Tür offen. Schützen Sie den Boden vor dem Abtauwasser, z.B. mit einem Tuch oder einem flachen Behälter.
- Zur Beschleunigung des Abtauprozesses stellen Sie einen Topf mit warmem Wasser in das Gefrierfach. Entfernen Sie bereits während des Abtauprozesses vorsichtig Eisstücke, die sich lösen lassen.

- Wenn der Gefrierraum vollständig abgetaut ist, wischen Sie das Innere sorgfältig trocken.
- Schalten Sie das Gerät ein und schließen Sie die Tür.
- Drehen Sie den Temperaturregler auf eine höhere Einstellung, um die maximal mögliche Kühlung zu erreichen, und lassen Sie das Gerät mindestens 3 Stunden mit dieser Einstellung laufen.

Legen Sie das Gefriergut erst nach dieser Zeit wieder in das Gefrierfach.

7.5 Stillstandszeiten

Bei längerem Stillstand des Geräts müssen Sie folgende Vorkehrungen treffen:

- Trennen Sie das Gerät von der Spannungsversorgung.
- Entnehmen Sie alle Lebensmittel.
- Tauen Sie das Gerät ab.
- Reinigen Sie das Gerät und alle Zubehörteile.
- Lassen Sie die Türen offen, um das Entstehen unangenehmer Gerüche zu vermeiden.

8. FEHLERSUCHE



WARNUNG!

Siehe Kapitel Sicherheitshinweise.



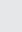
8.1 Was zu tun ist, wenn ...

Störung	Mögliche Ursache	Lösung
Das Gerät funktioniert nicht.	Das Gerät ist ausgeschaltet.	Schalten Sie das Gerät ein.
	Der Netzstecker ist nicht richtig in die Netzsteckdose eingesteckt.	Stecken Sie den Netzstecker richtig in die Netzsteckdose.
	Die Netzsteckdose hat keine Netzspannung.	Schließen Sie ein anderes Elektrogerät an der Netzsteckdose an. Wenden Sie sich an einen qualifizierten Elektriker.

Störung	Mögliche Ursache	Lösung
Das Gerät ist laut.	Das Gerät ist nicht ordnungsgemäß abgestützt.	Prüfen Sie, ob sich das Gerät in einer stabilen Position befindet.
Es wird ein akustisches oder optisches Alarmsignal ausgelöst.	Das Gerät wurde vor kurzem eingeschaltet.	Siehe „Alarm: Tür offen“ oder „Alarm: Hochtemperatur“.
	Die Temperatur im Gerät ist zu hoch.	Siehe „Alarm: Tür offen“ oder „Alarm: Hochtemperatur“.
	Die Tür ist offen.	Schließen Sie die Tür.
Der Kompressor arbeitet ständig.	Die Temperatur ist falsch eingestellt.	Siehe Kapitel „Bedienfeld“.
	Es wurden viele Lebensmittel gleichzeitig hineingelegt.	Warten Sie einige Stunden und prüfen Sie erneut die Temperatur.
	Die Raumtemperatur ist zu hoch.	Siehe Kapitel „Montage“.
	Die Lebensmittel, die im Gerät aufbewahrt werden, waren zu warm.	Lassen Sie die Lebensmittel vor deren Aufbewahrung auf Raumtemperatur abkühlen.
	Die Tür ist nicht richtig geschlossen.	Siehe Abschnitt „Schließen der Tür“.
	Die Funktion FastFreeze ist eingeschaltet.	Siehe Abschnitt „Funktion FastFreeze“.
	Die Funktion FastCool ist eingeschaltet.	Siehe Abschnitt „Funktion FastCool“.
Der Kompressor schaltet sich nicht sofort ein, nachdem Sie „FastFreeze“ oder „FastCool“ gedrückt oder die Temperatur auf einen anderen Wert eingestellt haben.	Der Kompressor startet nach einer gewissen Zeit.	Das ist normal; es ist kein Fehler aufgetreten.
Die Tür ist falsch ausgerichtet oder beeinträchtigt das Lüftungsgitter.	Das Gerät ist nicht ausgerichtet.	Siehe Montageanleitung.
Die Tür lässt sich nicht leicht öffnen.	Sie haben versucht, die Tür unmittelbar nach dem Schließen erneut zu öffnen.	Warten Sie einige Sekunden zwischen dem Schließen und erneutem Öffnen der Tür.

Störung	Mögliche Ursache	Lösung
Die Lampe funktioniert nicht.	Die Lampe ist im Standby-Modus.	Schließen Sie die Tür und öffnen Sie die Tür wieder.
	Die Lampe ist defekt.	Wenden Sie sich an das nächste autorisierte Servicezentrum.
Zu viel Frost und Eis.	Die Tür ist nicht richtig geschlossen.	Siehe Abschnitt „Schließen der Tür“.
	Die Dichtung ist verzogen oder verschmutzt.	Siehe Abschnitt „Schließen der Tür“.
	Die Lebensmittel sind nicht richtig verpackt.	Verpacken Sie die Lebensmittel besser.
	Die Temperatur ist falsch eingestellt.	Siehe Kapitel „Bedienfeld“.
	Das Gerät ist voll mit Lebensmitteln und auf die niedrigste Temperatur eingestellt.	Stellen Sie eine höhere Temperatur ein. Siehe Kapitel „Bedienfeld“.
	Die Temperatur im Gerät ist zu niedrig und die Umgebungstemperatur ist zu hoch.	Stellen Sie eine höhere Temperatur ein. Siehe Kapitel „Bedienfeld“.
Wasser fließt an der Rückwand des Kühlschranks herunter.	Während des automatischen Abtauprozesses taut das Eis an der Rückwand ab.	Das ist richtig.
An der Rückwand des Kühlschranks befindet sich zu viel Kondenswasser.	Die Tür wurde zu häufig geöffnet.	Öffnen Sie die Tür nur bei Bedarf.
	Die Tür wurde nicht vollständig geschlossen.	Achten Sie darauf, dass die Tür vollständig geschlossen ist.
	Die aufbewahrten Lebensmittel waren nicht verpackt.	Packen Sie die Lebensmittel richtig ein, bevor Sie diese in das Gerät legen.
Wasser fließt im Innern des Kühlschranks herunter.	Lebensmittel verhindern das Abfließen des Wassers in den Wassersammler.	Achten Sie darauf, dass die Lebensmittel nicht die Rückwand berühren.
	Der Wasserablauf ist verstopft.	Reinigen Sie den Wasserablauf.

Störung	Mögliche Ursache	Lösung
Wasser fließt auf den Boden.	Der Tauwasserablauf ist nicht an die Verdampfungsschale über dem Kompressor angeschlossen.	Bringen Sie den Tauwasserablauf an der Verdampfungsschale an.
Die Temperatur kann nicht eingestellt werden.	Die „Funktion FastFreeze“, oder die „Funktion FastCool“ ist eingeschaltet.	Schalten Sie die „Funktion FastFreeze“ oder die „Funktion FastCool“ manuell aus, oder warten Sie mit dem Einstellen der Temperatur, bis die Funktion automatisch ausgeschaltet wird. Siehe Abschnitt „Funktion FastFreeze“ oder „Funktion FastCool“.
Die Temperatur im Gerät ist zu niedrig/zu hoch.	Die Temperatur ist nicht richtig eingestellt.	Stellen Sie eine höhere/niedrigere Temperatur ein.
	Die Tür ist nicht richtig geschlossen.	Siehe Abschnitt „Schließen der Tür“.
	Die Temperatur der Lebensmittel ist zu hoch.	Lassen Sie die Lebensmittel auf Raumtemperatur abkühlen, bevor Sie diese in das Kühlgerät legen.
	Viele Lebensmittel werden gleichzeitig in das Kühlgerät gelegt.	Legen Sie weniger Lebensmittel gleichzeitig in das Kühlgerät.
	Die Frostschicht ist dicker als 4 - 5 mm.	Tauen Sie das Gerät ab.
	Die Tür wurde zu oft geöffnet.	Öffnen Sie die Tür nur bei Bedarf.
	Die Funktion FastFreeze ist eingeschaltet.	Siehe Abschnitt „Funktion FastFreeze“.
	Die Funktion FastCool ist eingeschaltet.	Siehe Abschnitt „Funktion FastCool“.
	Im Gerät herrscht keine Kaltluftzirkulation.	Stellen Sie sicher, dass die Kaltluft im Gerät zirkulieren kann. Siehe Kapitel „Tipps und Hinweise“.
Bestimmte Oberflächen im Innern des Kühlraums sind zu bestimmten Zeiten wärmer.		Das ist ein normaler Zustand.

Störung	Mögliche Ursache	Lösung
DEMO erscheint auf dem Display.	Das Gerät befindet sich im Demo-Modus.	Halten Sie Taste OK etwa 10 Sekunden gedrückt, bis ein langer Signalton ertönt und das Display für kurze Zeit ausgeschaltet wird.
In der Temperaturanzeige ist das Symbol  ,  oder  anstatt der Zahlen zu sehen.	Problem mit dem Temperatursensor.	Wenden Sie sich an das nächste autorisierte Servicezentrum. (Das Kühlsystem hält zwar die Lebensmittel weiterhin kalt, doch die Temperatureinstellung ist nicht mehr möglich).



Wenn die Ratschläge nicht zum gewünschten Ergebnis führen, wenden Sie sich an das nächste autorisierte Servicezentrum.

8.2 Austauschen der Lampe

Das Gerät ist mit einer langlebigen LED-Innenbeleuchtung ausgestattet.

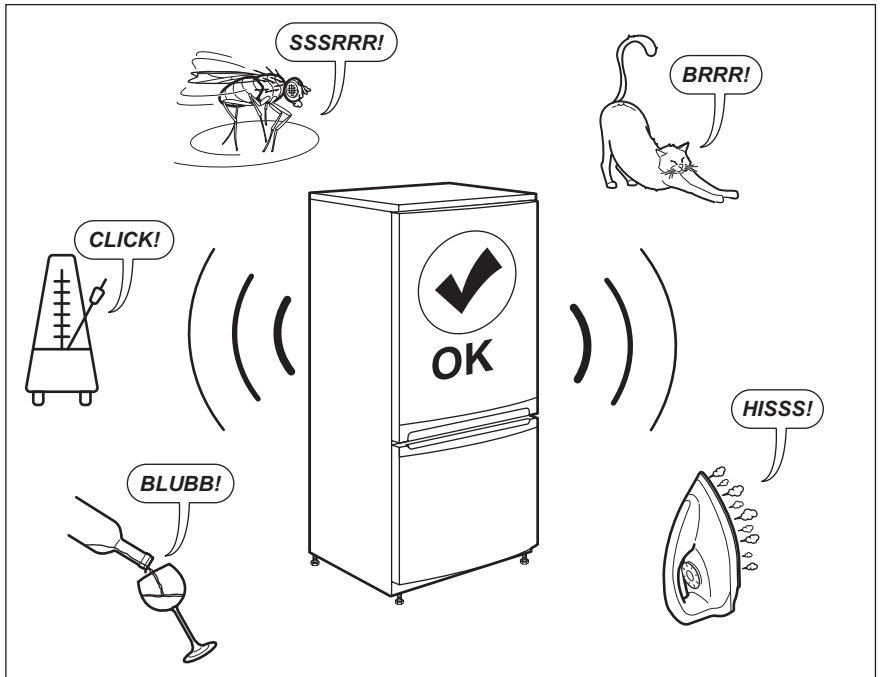
Die Beleuchtung darf nur von einer Fachkraft ausgetauscht werden. Wenden

Sie sich an Ihren autorisierten Kundendienst.

8.3 Schließen der Tür

1. Reinigen Sie die Türdichtungen.
2. Stellen Sie die Tür nach Bedarf ein. Siehe Montageanleitung.
3. Ersetzen Sie die defekten Türdichtungen, falls erforderlich. Wenden Sie sich an einen autorisierten Kundendienst.

9. GERÄUSCHE



10. TECHNISCHE DATEN

Die technischen Daten befinden sich auf dem Typenschild innen im Gerät sowie auf der Energieplakette.

Spannung	Frequenz
220~240 V	50 Hz

11. INFORMATIONEN FÜR PRÜFINSTITUTE


Die Installation und die Vorbereitung des Geräts für eine eventuelle EcoDesign-Prüfung müssen mit EN 62552 übereinstimmen. Die Anforderungen an die Belüftung, die Abmessungen der Aussparungen und die Mindestabstände

auf der Rückseite müssen den Angaben in diesem Benutzerhandbuch in Kapitel 3 entsprechen. Für weitere Informationen, einschließlich der Beladungspläne, wenden Sie sich bitte an den Hersteller.

12. GARANTIE

Kundendienst

Servicestellen		
Industriestrasse 10 5506 Mägenwil	Le Trési 6 1028 Préverenges	Via Violino 11 6928 Manno

Servicestellen	
Morgenstrasse 131 3018 Bern	
Langgasse 10 9008 St. Gallen	
Am Mattenhof 4a/b 6010 Kriens	
Schlossstrasse 1 4133 Pratteln	
Comercialstrasse 19 7000 Chur	


Ersatzteilverkauf Industriestrasse 10,
5506 Mägenwil, Tel. 0848 848 111


Fachberatung/Verkauf Badenerstrasse
587, 8048 Zürich, Tel. 044 405 81 11

Garantie Für jedes Produkt gewähren wir ab Verkauf bzw. Lieferdatum an den Endverbraucher eine Garantie von 2 Jahren. (Ausweis durch Garantieschein, Faktura oder Verkaufsbeleg). Die Garantieleistung umfasst die Kosten für

Material, Arbeits- und Reisezeit. Die Garantieleistung entfällt bei Nichtbeachtung der Gebrauchsanweisung und Betriebsvorschriften, unsachgerechter Installation, sowie bei Beschädigung durch äussere Einflüsse, höhere Gewalt, Eingriffe Dritter und Verwendung von Nicht-Original Teilen.

13. UMWELTTIPPS

Recyceln Sie Materialien mit dem Symbol . Entsorgen Sie die Verpackung in den entsprechenden Recyclingbehältern. Recyceln Sie zum Umwelt- und Gesundheitsschutz elektrische und elektronische Geräte.

Entsorgen Sie Geräte mit diesem Symbol  nicht mit dem Hausmüll. Bringen Sie das Gerät zu Ihrer örtlichen Sammelstelle oder wenden Sie sich an Ihr Gemeindeamt.



Für die Schweiz:

Wohin mit den Altgeräten?

Überall dort wo neue Geräte verkauft werden oder Abgabe bei den offiziellen SENS-Sammelstellen oder offiziellen SENS-Recyclern.

Die Liste der offiziellen SENS-Sammelstellen findet sich unter www.erecycling.ch

www.electrolux.com/shop



211628188-A-322021

