



Network

Dome

ANV-L6023R

2MP Vandal-Resistant Network IR Flateye Dome Camera



Key Features

- 2 Megapixel (1920 x 1080) resolution
- 3.6mm lens w/ 94.8° HFoV
- 30fps@all resolutions (H.265/H.264)
- H.265/H.264, MJPEG codec support, Multiple streaming
- Day & Night (ICR), WDR (120dB)
- Defocus detection, Directional detection, Motion detection, Enter/Exit, Tampering
- Micro SD/SDHC memory slot (Max. 32GB), PoE
- Hallway View, WiseStream II support
- IR viewable length 15m
- IP66, IK10, NEMA4X support

ANV-L6023R

2MP Vandal-Resistant Network IR
Flateye Dome Camera



Specifications

Video	
Imaging Device	1/2.8" CMOS
Resolution	1920x1080, 1280x960, 1280x720, 800x600, 800x448, 720x576, 720x480, 640x480, 640x360
Max. Framerate	H.265/H.264: Max. 30fps/25fps(60Hz/50Hz) MJPEG: Max. 15fps(@2MP Max. 4fps)
Min. Illumination	Color: 0.03Lux(F2.0, 1/30sec) BW: 0Lux(IR LED on)
Video Out	CVBS: 1.0 Vp-p / 75Ω composite, 720x480(N), 720x576(P) for installation
Lens	
Focal Length (Zoom Ratio)	3.6mm fixed focal
Max. Aperture Ratio	F2.0
Angular Field of View	H: 95° / V: 50° / D: 115°
Min. Object Distance	0.5m(1.64ft)
Focus Control	Fixed
Pan / Tilt / Rotate	
Pan / Tilt / Rotate Range	±5° / 0°~67° / ±90°
Operational	
Camera Title	Displayed up to 15 characters
Day & Night	Auto(ICR)
Backlight Compensation	BLC, WDR, SDR
Wide Dynamic Range	120dB
Digital Noise Reduction	SSNR
Motion Detection	4ea, polygonal zones
Privacy Masking	6ea, rectangular zones
Gain Control	Low / Middle / High
White Balance	ATW / AWC / Manual / Indoor / Outdoor
LDC	Support
Electronic Shutter Speed	Minimum / Maximum / Anti flicker (1/5~1/12,000sec)
Video Rotation	Flip, Mirror, Hallway view(90°/270°)
Analytics	Motion detection, Tampering, Defocus detection, Virtual area(Intrusion/Enter/Exit), Virtual line(Crossing/Direction)
Alarm Triggers	Analytics, Network disconnect
Alarm Events	When alarm trigger occurred - File upload(image) : e-mail/FTP - Notification : e-mail - Recording : SD/SDHC/SDXC or NAS recording at event triggers
Audio In	Line-in

Design and specifications are subject to change without notice. The latest product information / specification can be found at HanwhaVision.com

Hanwha Vision is formerly known as Hanwha Techwin.

Light Type	IR LED (850nm)
Light Viewable Length	15m(49.21ft)
Network	
Ethernet	Metal shielded RJ-45(10/100BASE-T)
Video Compression	H.265/H.264: Main/Baseline/High, MJPEG
Audio Compression	G.711 u-law /G.726 Selectable G.726(ADPCM) 8KHz, G.711 8KHz G.726: 16Kbps, 24Kbps, 32Kbps, 40Kbps
Smart Codec	WiseStream II
Bitrate Control	H.264/H.265: CBR or VBR MJPEG: VBR
Streaming	Unicast(6 users) / Multicast Multiple streaming (Up to 3 profiles)
Protocol	IPv4, IPv6, TCP/IP, UDP/IP, RTP(UDP), RTP(TCP), RTCP, RTSP, NTP, HTTP, HTTPS, SSL/TLS, DHCP, FTP, SMTP, ICMP, IGMP, SNMPv1/v2c/v3(MIB-2), ARP, DNS, DDNS, QoS, UPnP, Bonjour, LLDP
Application Programming Interface	ONVIF Profile S/G/T SUNAPI(HTTP API) Wisenet open platform
Security	
OS / Firmware Protect	Firmware encryption
User authentication	Digest Authentication, Prevent brute-force attack
Network authentication	802.1X Authentication(EAP-TLS, EAP-LEAP, EAP-PEAP MSCHAPv2)
Secure Communication	HTTPS, SRTP, WSS(Websocket secure)
Access Control	Access control based on IP address
Data Protect	Authentication information encryption, ZIP compression encryption
Audit	User Access/System/Event log management
Device ID	Device Certificate(Hanwha Private Root CA)
Secure Storage	SDcard partition encrypt
General	
Webpage Language	English, Korean, Chinese, French, Italian, Spanish, German, Japanese, Russian, Portuguese, Czech, Polish, Turkish, Dutch
Edge Storage	Micro SD/SDHC/SDXC 1slot 128GB
Memory	512MB RAM, 256MB Flash
Environmental & Electrical	
Operating Temperature / Humidity	-30°C~+55°C(-22°F ~ +131°F) / 0~95% RH
Storage Temperature / Humidity	-50°C ~ +60°C(-58°F ~ +140°F) / Less than 95% RH
Certification	IP66, IK10, NEMA4X
Input Voltage	PoE(IEEE802.3af, Class3)
Power Consumption	Max 6.70W, Typical 5.00W
Mechanical	
Color / Material	White / Aluminum
RAL Code	RAL9003
Product Dimensions / Weight	98.9x52.0x100.0mm(3.89x2.05x3.94"), 295g(0.65 lb)
DORI (EN62676-4 standard)	
Detect (25PPM/ 8PPF)	35.3m(115.84ft)

Design and specifications are subject to change without notice. The latest product information / specification can be found at HanwhaVision.com
Hanwha Vision is formerly known as Hanwha Techwin.

Observe (63PPM/ 19PPF)	14.1m(46.33ft)
Recognize (125PPM/ 38PPF)	7.1m(23.17ft)
Identify (250PPM/ 76PPF)	3.5m(11.58ft)

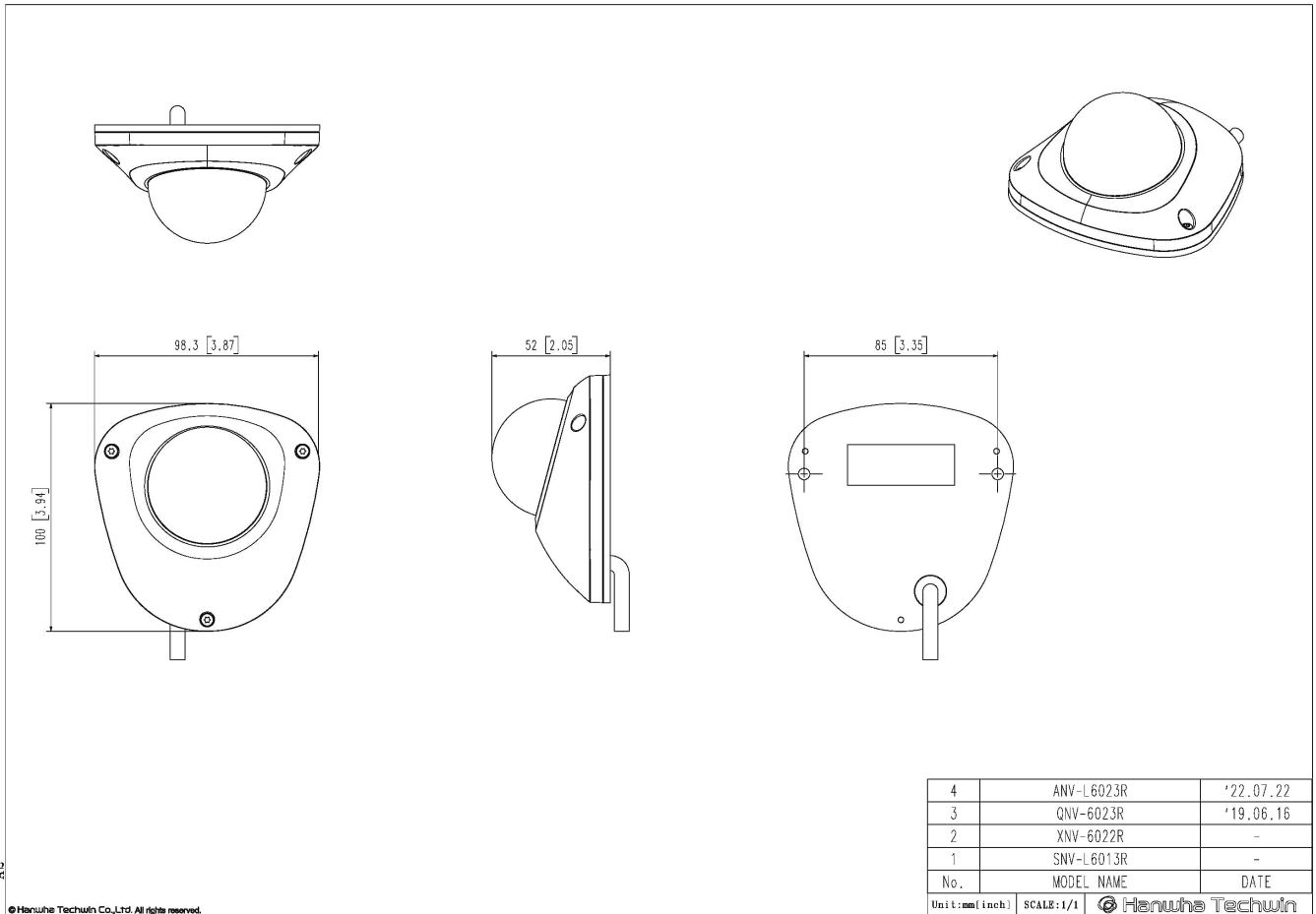
ANV-L6023R

2MP Vandal-Resistant Network IR
Flateye Dome Camera



CAD

Unit:mm [inch]



A2

© Hanwha Techwin Co., Ltd. All rights reserved.