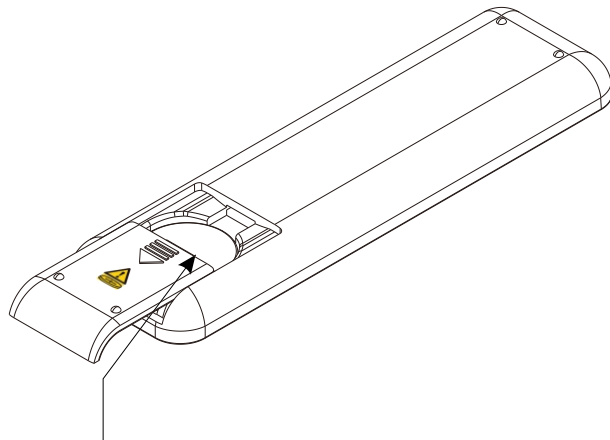
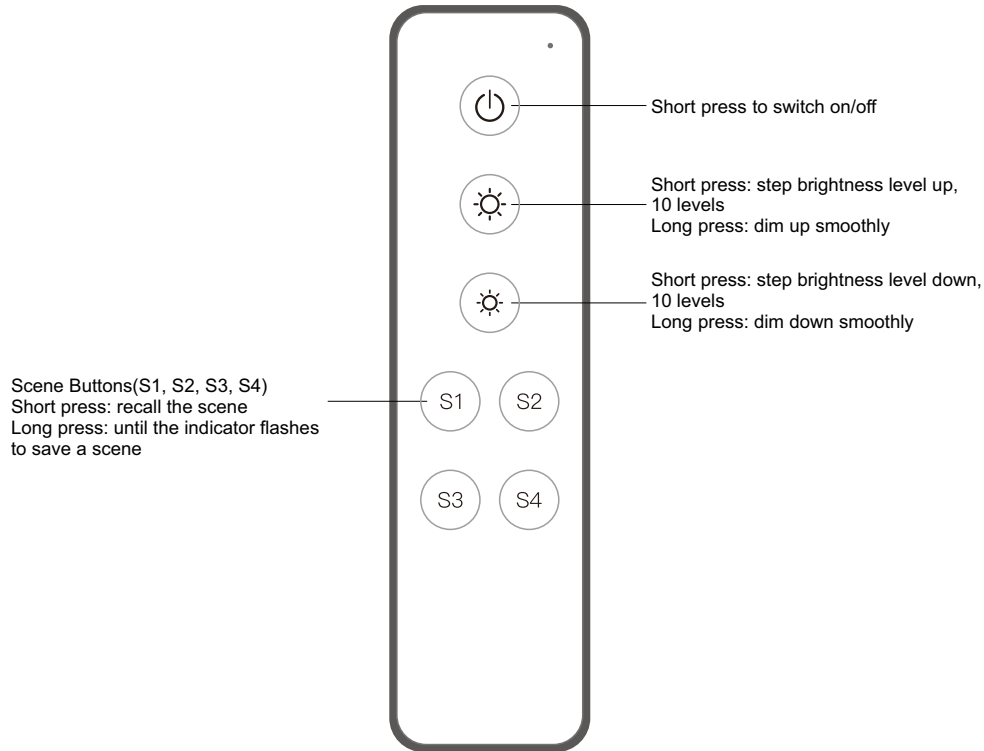


Single Color Zigbee Remote



Important: Read All Instructions Prior to Installation
Function introduction



Note: Before the first use, please remove the protective film on the battery.

Product Data

Protocol	ZigBee 3.0
Operation Voltage	3VDC (CR2032 battery)
Transmission Frequency	2.4GHz
Transmission Range (free field)	30m
Dimming Range	0.1%-100%
Dimension	125x35x10mm
Waterproof Grade	IP20

- ZigBee single color remote based on ZigBee 3.0
- Enables to control single color lighting devices
- Battery powered remote with low power consumption
- Enables to pair ZigBee lighting devices through Touchlink commissioning
- Supports 1 group for binding max. 30 lighting devices
- 2.4 GHz global operation
- Transmission range up to 30m
- Compatible with universal ZigBee Gateway products

Safety & Warnings

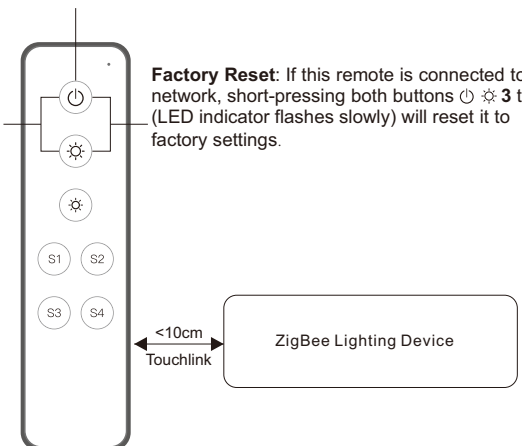
- This device contains button lithium batteries that shall be stored and disposed properly.
- DO NOT expose the device to moisture.

Operation

Touchlink: long-pressing the on/off button for 3s until the LED indicator flashes quickly will start Touchlink and link the lighting device to the remote.

Network Pairing Mode: If this remote is not yet connected to the network, short-pressing both buttons 3 times (LED indicator flashes slowly) will set it to network pairing mode.

Factory Reset: If this remote is connected to the network, short-pressing both buttons 3 times (LED indicator flashes slowly) will reset it to factory settings.



Note:

- For adding/removing devices via Touchlink, the distance between the remote and the device must be < 10cm.
- Directly TouchLink(both remote and device are not connected to a Zigbee network), please reset them to factory settings first. Each remote can connect to a maximum of 30 devices. If you want to Touchlink with the second device or more devices, please ensure that the first linked device remains powered on.
- Touchlink after both remote and device are connected to the Zigbee network. Each device can connect to a maximum of 30 remotes.
- To control by both remote and gateway, first add them to the network, and then Touchlink. In this case, the device can be controlled by the linked remote and Zigbee Hub.

ZigBee Clusters supported by this Remote are as follows:**Input clusters:**

- Basic
- Power Configuration
- Identify
- Diagnostics

Output clusters:

- Identify
- Group
- Scene
- On/off
- Level control
- OTA

OTA Upgrade



The remote supports firmware updating through OTA, and will acquire new firmware from zigbee controller or hub every 10 minutes automatically.

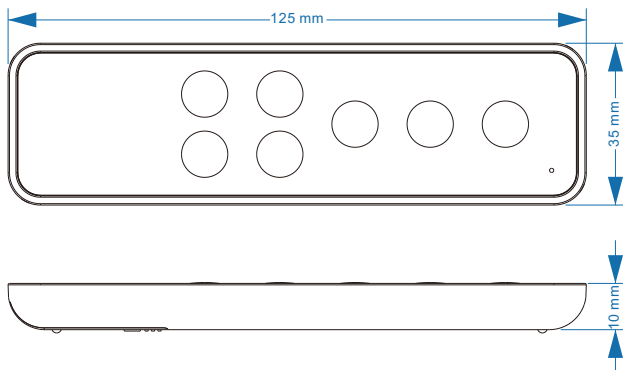
How to Check Whether the Remote Belongs to a Network or Not

Short press any other buttons, indicator blinking means the remote has already been added to a network, no blinking of indicator means the remote does not belong to any network.

Battery Power Monitor Function

The remote will report battery power value to the coordinator when:


- When powered on.
- When short pressing both  and buttons  simultaneously.
- When operating the switch to send data packets (over 4 hours since last operation).
- When added to the network by a coordinator.

Dimensions**Battery Warnings & Safty****Warnings and Statements:**

This product contains a CR Coin Cell Lithium Battery and meets the requirements of the **16 CFR Part 1263**. For your safety and to ensure proper operation, please carefully read and understand the following warnings and statements.

⚠ WARNING

- **INGESTION HAZARD:** This product contains a button cell or coin battery.
- **DEATH** or serious injury can occur if ingested.
- A swallowed button cell or coin battery can cause **Internal Chemical Burns** in as little as **2 hours**.
- **KEEP** new and used batteries **OUT OF REACH of CHILDREN**
- **Seek immediate medical attention** if a battery is suspected to be swallowed or inserted inside any part of the body.



Statements:

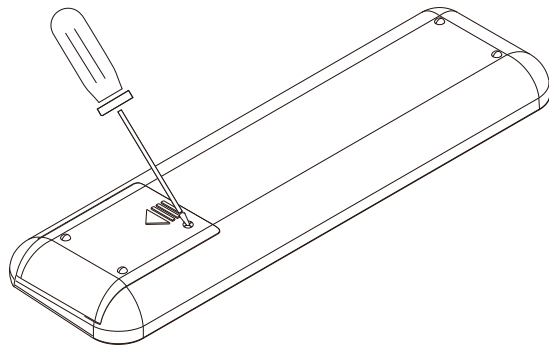
- **INDOOR USE ONLY**
- Remove and immediately recycle or dispose of used batteries according to local regulations and keep away from children. Do NOT dispose of batteries in household trash or incinerate.
- Even used batteries may cause severe injury or death.
- Call a local poison control center for treatment information.
- Do not install any battery other than CR2032 or its equivalent.
- Ensure the CR2032 operates at the nominal battery voltage (3VDC).
- Non-rechargeable batteries are not to be recharged.
- Do not force discharge, recharge, disassemble, heat above (manufacturer's specified temperature rating) or incinerate. Doing so may result in injury due to venting, leakage or explosion resulting in chemical burns.
- Ensure the batteries are installed correctly according to polarity (+ and -).
- Do not mix old and new batteries, different brands or types of batteries, such as alkaline, carbon-zinc, or rechargeable batteries.
- Remove and immediately recycle or dispose of batteries from equipment not used for an extended period of time according to local regulations.
- Always completely secure the battery compartment. If the battery compartment does not close securely, stop using the product, remove the batteries, and keep them away from children.
- If the battery leaks, do not touch or smell it, wipe the leakage from the battery compartment, and then replace the battery with a new one.
- If a battery leaks and the material contacts your skin or clothing, flush the exposed area thoroughly with running water. In case of eye contact, flush thoroughly with copious amounts of clean running water and seek immediate medical assistance.

Battery information:

Battery	Battery Type	Operation Voltage	Diameter
CR2032	Button Cell	3VDC	20mm(0.787inch)

How to install or replace a battery:

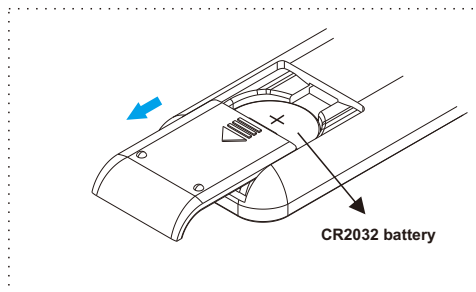
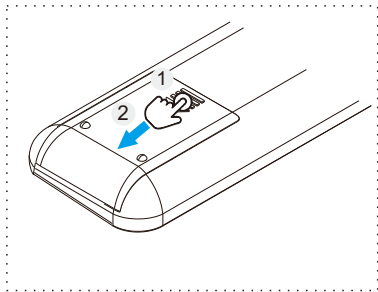
This product is designed with a battery compartment that is secured to prevent unauthorized access, especially by children. This safety feature ensures that the battery remains safely enclosed, minimizing the risk of accidental removal or exposure.




1. Use a right screwdriver to unscrew and remove the screw.

2. Press and hold down, then push the rib to unlock the battery compartment cap.

3. Pull out the cap, then take out the battery.



BATTERY	Description
+	 Note to distinguish between the + or - of the battery.
-	

4. Note to distinguish between the + or - of the battery, install the new battery in the battery compartment correctly, and push the compartment into the sensor, then check and make sure that the battery compartment got locked and secured.

Disposing of used batteries:

- When disposing of used batteries, please comply with governmental regulations or environmental public institutions' rules that apply in your country/area.
- Note and follow the **STATEMENTS** in **WARNINGS AND STATEMENTS**.