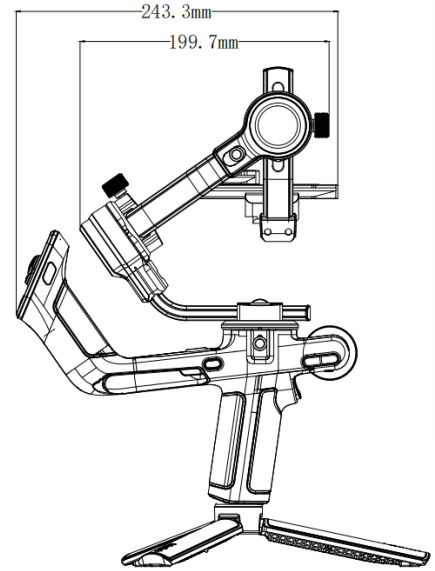
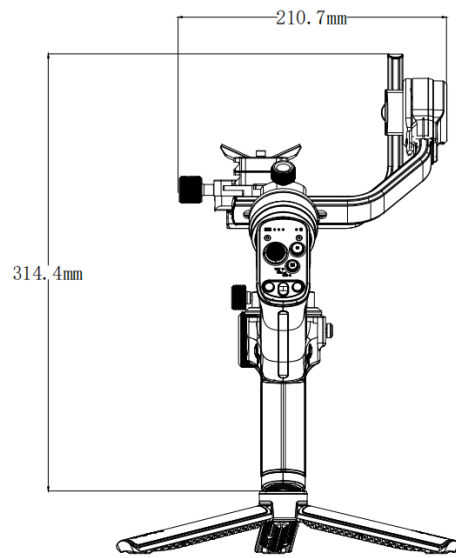
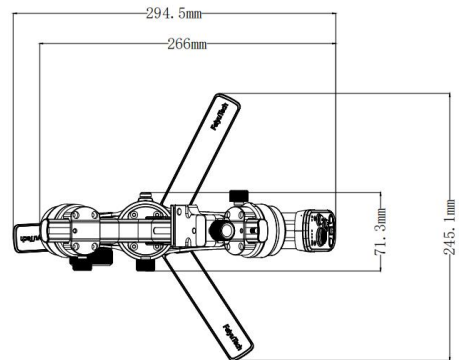
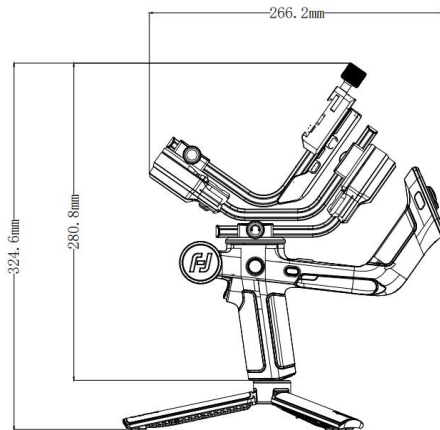


# Feiyu SCORP-C Specification

<b>Product Name</b>	Feiyu SCORP-C 3-Axis Handheld Gimbal for Camera
<b>Battery Capacity</b>	2500mAh, built-in battery cannot be removed, charge it via the USB-C port which below the multifunction knob, support all the normal charger and quick charger which charging power $\leq 18W$
<b>Operating Voltage</b>	6.8V-8.4V
<b>Theoretical Battery Life</b>	13h
<b>Charging Time</b>	About 1.6h (Using 18W fast charger)
<b>Materials In Main Body</b>	Synthetic macromolecular resin, aluminum alloy
<b>Weight</b>	About 1200g/2.65 lb (including quick release plate, not included other accessories and camera)
<b>Payload</b>	About 2.5kg/5.51 lb (well balanced)
<b>Water-Proof Grade</b>	Not Water-proof
<b>Dimensions</b>	314.4*210.7*243.3mm(Gimbal balancing position)



280.8\*266.2\*71.3mm (Gimbal folded position)



**Compatible  
Cameras**






Sony, Canon, Nikon, Panasonic, etc. (Check Camera Compatibility Lists for more details)

**Operating  
Temperature**

-10~45°C

**Rotatable  
Range**

Tilt: 320° (With limitation)  
Roll: 320° (With limitation)  
Pan: 360° (Unlimited)

<b>Controllable Range</b>	Tilt: +110° ~-45° Roll: +20° ~-20° Pan: 360° (Unlimited)
<b>Quick Release Plate</b>	Quick release plate (115x38x10mm) and optional camera backing base (50x38x10mm) are compatible with ARCA quick release system.  Can be removed from the gimbal together with the camera, and fast switch between popular quick release systems without re-assembling the camera.
<b>Follow Mode</b>	 <b>PF:</b> Pan follow, only the pan axis follows the movement of user's hand  <b>PTF:</b> Pan and tilt follow, where both the pan and tilt axes follow the movement of user's hand, but roll axis does not  <b>FPV:</b> Pan, tilt and roll follow, where all 3 axes follow the movement of user's hand  <b>Lock:</b> All 3 axes do not follow the movement of user's hand, gimbal keeps the direction of the camera fixed  <b>FFW:</b> flash follow, where all 3 axes follow the movement of user's hand in high follow speed
<b>APP</b>	Feiyu SCORP
<b>How To Control The Camera</b>	While connecting gimbal and cameras with cable (standard accessories for SONY, CANON, NIKON, Panasonic), users can control picture-taking/recording with shutter button and set aperture, shutter, ISO and other camera parameters (see Camera Compatibility List for more).
<b>Motor Power Auto Tune</b>	Use motor auto tune button or choose Auto Tune in motor power settings on APP to tune the motor power automatically according to the camera you install.  Auto Tune operation: Put gimbal on the table, start the motor power tuning progress through motor auto tune button or APP, and wait for the progress complete.  Gimbal will vibrate slightly while Auto Tune to weigh the camera, it's a normal phenomenon.
<b>Extended Ports</b>	<b>At the bottom of the handle:</b> 1/4 inch thread hole*1, which can mount Tripod; <b>Below the multifunction knob:</b> Type-C charging port*1; <b>In front of fixed plate:</b> Type-C extension port*2 to connect focus motors;

	<p><b>At the back of fixed plate:</b> Type-C camera control port*1, Type-C image transmission port*1;</p> <p><b>In front of quick release plate:</b> 1/4 inch thread hole*1, for installation of lens holder;</p> <p><b>On the top of vertical cross arm:</b> 1/4 inch thread hole*1, for installation of ARRI Rosettes Expansion Accessory;</p>
<p><b>Standard Accessories</b></p>	<p>Feiyu SCORP-C*1</p> <p>Data cable USB 2.0 to Type-C*1</p> <p>Shutter cable Type-C to Micro (A03)*1</p> <p>Shutter cable Type-C to Type-C (C02)*1</p> <p>Shutter cable Type-C to TRS2.5 (T02)*1</p> <p>Sony shutter cable Type-C to Multi*1</p> <p>Panasonic shutter cable (DC2.5mm) Type-C to 2.5mm*1</p> <p>Tripod*1</p> <p>Quick release plate*1</p> <p>Camera backing base*1</p> <p>Lens holder*1</p> <p>Lens holder screw*1</p> <p>Camera fixed screw*3</p>
<p><b>Optional Accessories</b></p>	<p>Monopod (Pay attention to its max payload);</p> <p>Carbon Fiber Extension Rod;</p> <p>Feiyu SCORP Focus Motor;</p> <p>ARRI Rosettes Expansion Accessory;</p> <p>Portrait and Landscape Quick Release Plate;</p> <p>Feiyu SCORP Image Transmission Transmitter;</p> <p>wireless microphone kit: wireless microphone ( transmitter terminal )*1、 wireless microphone (receiving terminal)*1, wireless clip-on microphone *1;</p> <p>Body-mounted Weight Support for installing flash lamp/ soft light/ Microphone and other devices via cold shoes;</p>
<p><b>Available Functions</b></p>	<p>1. Change follow modes via buttons, directly show the state of camera connection, Bluetooth, battery.</p> <p>2. One tap to enter Auto rotation mode (Inception mode), VLOG Selfie and portrait</p>

<p><b>For Users</b></p>	<p>shooting for TikTok, and more special shooting way.</p> <p>3. Switch between portrait and landscape mode.</p> <p>4. Control picture-taking/recording with shutter button (see Camera Compatibility List for more).</p> <p>5. Initialize the gimbal when it is not level.</p> <p>6. Manually set up the shooting angle on tilt axis and pan axis by hand.</p> <p>7. Upgrade the firmware , set up the parameter, remote control and customize some button functions on APP.</p>
<p><b>Main Features</b></p>	<p>Max payload updates to 2.5 kg, easily work with popular mirrorless cameras.</p> <p>3 Axis motor-lock design to get a convenient balance and storage.</p> <p>Integrated hanging handle which can switch among different angle to use in more different shooting scenes.</p> <p>Various buttons, easily control.</p> <p>Center of gravity memory slider make balancing easier.</p> <p>No tripod required, the gimbal comes with a folding aileron bracket.</p> <p>The magic wheel shows more possibilities.</p> <p>A-B point Trajectory memory, one button to achieve movements your set or automatic focus.</p> <p>Just tap one button and you will directly enter Inception mode/ VLOG selfie/ TikTok portrait shoot and got more popular shooting ways.</p> <p>Type-C quick charging port for gimbal, takes only 1.6 hour to fully charge it.</p> <p>Dual available USB ports for external focus motor/Zoom in&amp;out set (not at the same time).</p> <p>Customize the some button functions, motor power, follow speed, dead zone, etc., to fit for different usage</p> <p>Auto tune motor power and customize motor power (Via APP) to be chose to work with more cameras and lens.</p> <p>Optional wireless microphone kit for better sound recording, make your VLOG / TikTok video come with sound more easily.</p>