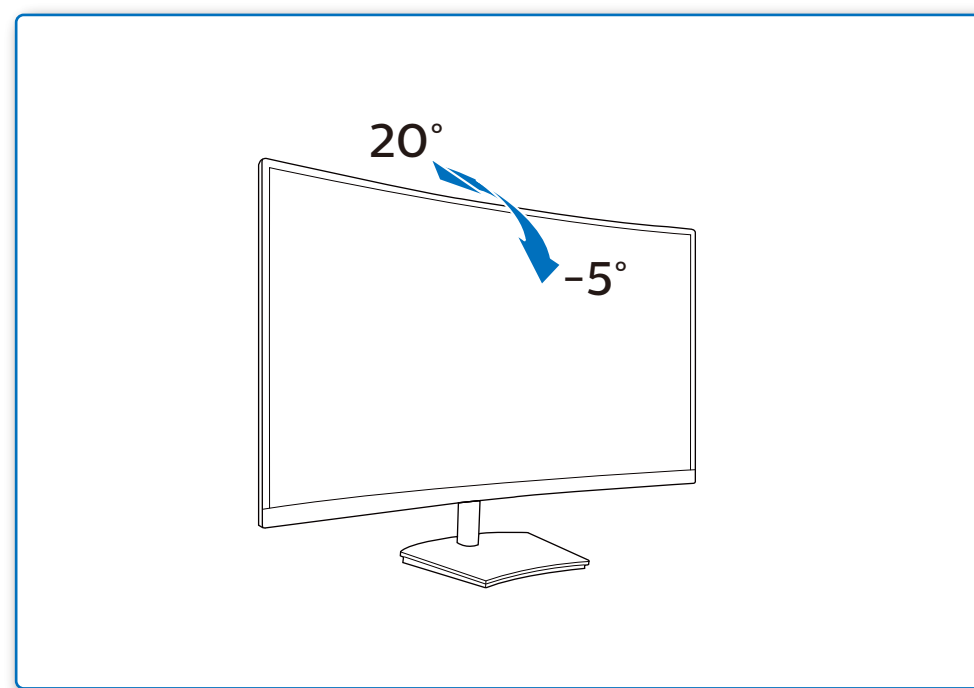


GRAPHIC DEVELOPMENT		MMD
Product name		
Project name		
Project no.		
Finishing	Folded sheet	
Scale	1:1	
Size Spreads	594 (W) x 210 (H) mm	
Size	148.5 (W) x 210 (H) mm	
Operator(s)		
Date amended		
VERSION No.	13	
APPROVAL		
QC Lithographer		
Product Manager		
Date Check		
ARTWORK DOCUMENT		
Paper	80gsm White, woodfree coated	
Numbers of colours	2C2C	
Pantone 300c	Black	
Spotcolor		
Aftertreatment		
<input type="checkbox"/> Cropping		
<input type="checkbox"/> Coating		
<input type="checkbox"/> Varnishing		
<input type="checkbox"/> Embossing		
<input type="checkbox"/> Cuttingguide		
<input type="checkbox"/> Die-cut		
<input type="checkbox"/> Binding		
<input type="checkbox"/> Glue		

4



- EN Need help?**
Online help: www.philips.com/support
- SC 需要帮助?**
在线帮助: www.philips.com/support
- FR Besoin d'Aide ?**
Aide en ligne: www.philips.com/support
- ES ¿Necesita ayuda?**
Ayuda en línea: www.philips.com/support
- DE Benötigen Sie Hilfe?**
Online-Hilfe: www.philips.com/support
- IT Avete bisogno di aiuto?**
Guida in linea: www.philips.com/support
- BR Precisa ajuda?**
Ajuda online: www.philips.com/support
- KO 도움이 필요하신가요?**
온라인 도움말: www.philips.com/support
- UK Потребуєте допомоги?**
Підтримка он-лайн: www.philips.com/support
- RU Нужна помощь?**
Интерактивная справка: www.philips.com/support
- TR Yardıma ihtiyacınız var mı?**
Online yardım: www.philips.com/support
- HI क्या सहायता की जरूरत है?**
ऑनलाइन सहायता: www.philips.com/support
- AR هل تريد المساعدة؟**
www.philips.com/support
- JP ヘルプが必要ですか?**
オンラインヘルプ: www.philips.com/support

Version: M1271ESCQ1WWT
© 2019 Koninklijke Philips N.V. All rights reserved.

This product was manufactured and brought to the market by or on behalf of Top Victory Investments Ltd. or one of its affiliates. Top Victory Investments Ltd. is the warrantor in relation to this product. Philips and the Philips Shield Emblem are registered trademarks of Koninklijke Philips N.V. used under license.

Specifications are subject to change without notice.

www.philips.com

HDMI
HDMI trademark and related patents on technologies belong to their respective owners.



Printed in China



PHILIPS
E line
271E1



Quick Start

Register your product and get support at www.philips.com/welcome



AC/DC Adapter

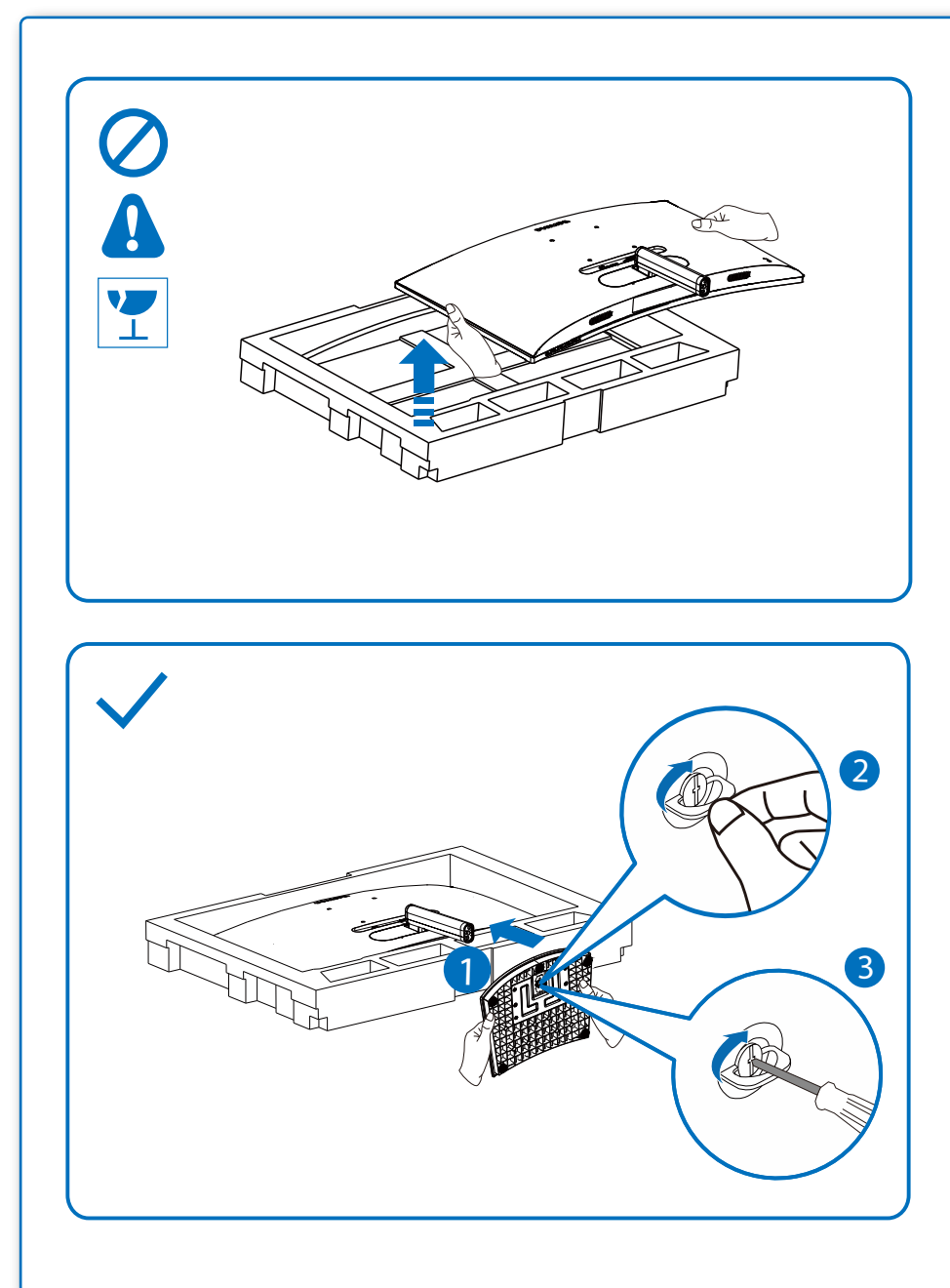
*** VGA**

*** HDMI**

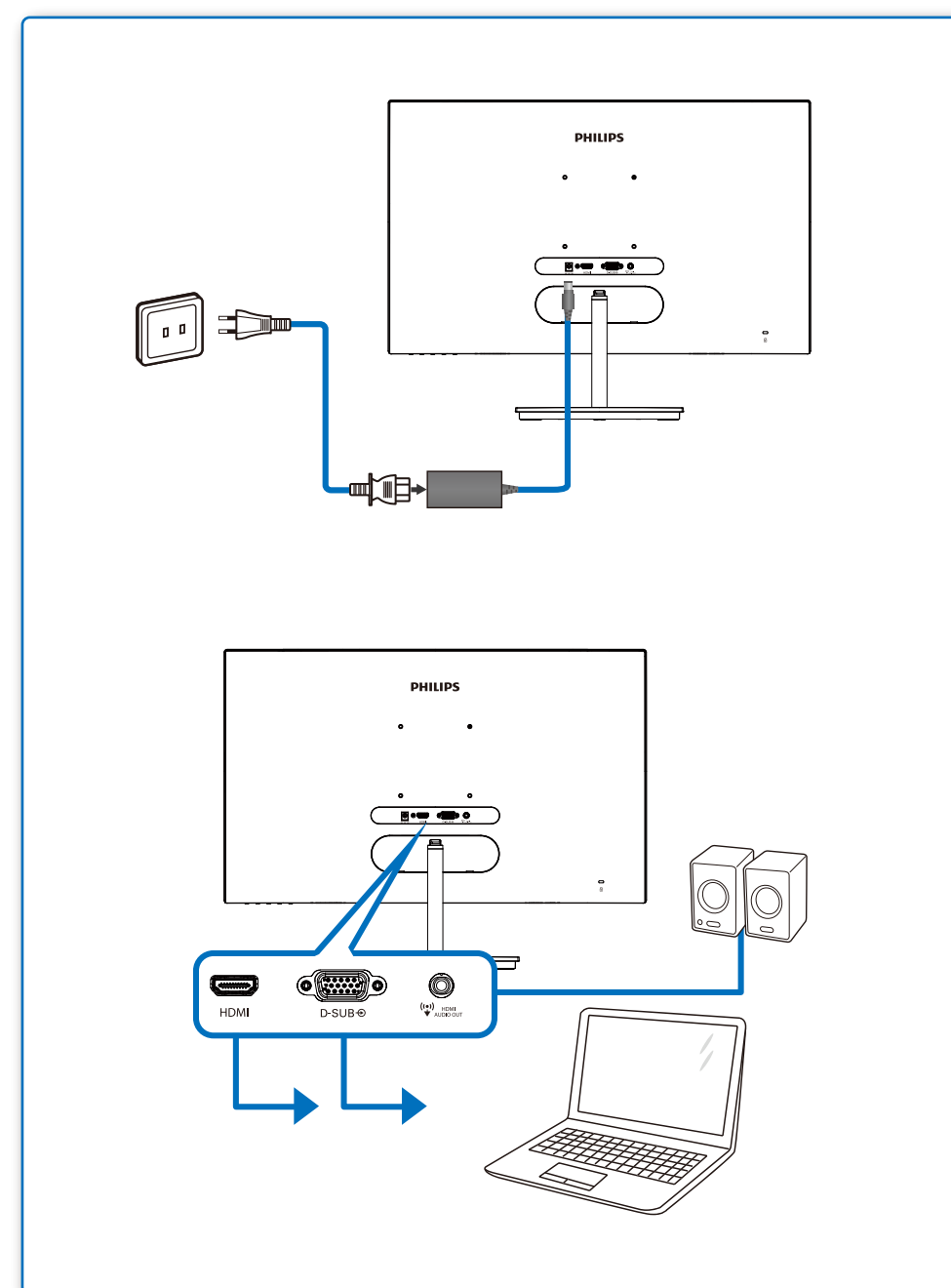
*** CD**

* Different according to region.
Display design may differ from those illustrated.

1



2



3

