



ARCTIC FROST

35/45/55

Model: 590197, Arctic Frost 35

Model: 590199, Arctic Frost 45

Model: 590201, Arctic Frost 55



UK: INSTRUCTION MANUAL
DE: BEDIENUNGSANLEITUNG
DK: BRUGERVEJLEDNING
FR: MODE D'EMPLOI
NL: GEBRUIKSAANWIJZING
CZ: NÁVOD K POUŽITÍ
NO: BRUKERVEILEDNING



INNOVATIVE FAMILY CAMPING

INDEX

1. SAFETY INSTRUCTIONSPAGE 3

2. PRODUCT FEATURESPAGE 4

3. PRODUCT STRUCTUREPAGE 4

4. REVERSE DOOR OPENING DIRECTIONPAGE 5

5. FUNCTION AND OPERATIONPAGE 6

6. *BATTERY OPERATION (*NOT INCLUDED)PAGE 7

7. CARE AND MAINTENANCE.....PAGE 8

8. TROUBLESHOOTING.....PAGE 9

9. GUARANTEEPAGE 10

10. TECHNICAL INFORMATION.....PAGE 10

Please read this operating manual carefully before starting the device. Keep it in a safe place for future reference.



1. SAFETY INSTRUCTIONS

WARNING!

- Do not operate the appliance if it is visibly damaged.
- Do not block the gaps of the cool box with things like pin, wire, etc.
- Do not expose the appliance to rain or soak it in water.
- Do not place the appliance near naked flames or other heat sources (heaters, direct sunlight, gas ovens etc.)
- Do not store any explosive substances like spray cans with a flammable propellant.
- Ensure the supply cord is dry and not trapped or damaged. Do not locate multiple portable socket-outlets or portable power supplies at the rear of the appliance.
- Check the voltage specification on the type plate corresponds to that of the energy supply. The appliance is only to be used with the power supply unit provided with the appliance.
- Do not use electrical appliances inside the food storage compartments of the appliance, unless they are of the type recommended by the manufacturer.
- Once unpacked and before turning on, the appliance must be placed on a level surface for more than 6 hours.
- Make sure that the appliance stays horizontally when it is running. The tilt angle must be less than 5° for long time running and be less than 45° for short time running.
- Keep the ventilation openings in the unit casing or in the built-in structure free of obstacles. (Around the compressor ≥ 100mm).
- Keep the appliance stable on the ground or in the car; Do not drain upside down.



CAUTION!

- Repairs may only be carried out by qualified personnel. Incorrect repair may cause danger. The lamp and supply cord must be replaced by the manufacturer or qualified persons.
- Children aged 3-8 years are *only* allowed to load and unload refrigerating appliances.
- Children shall not play with the appliance.
- Cleaning and user maintenance shall not be made by children without supervision.
- The appliance can be used by children aged from 8 years and above and persons with reduced physical, sensory or mental capabilities or lack of experience and knowledge if they have been given supervision or instruction concerning use of the device in a safe way and understand the hazards.



NOTICE!

- Disconnect the power supply before each cleaning and maintenance and after every use.
- Do not use sharp tools to defrost; Do not damage the refrigerant circuit.
- Check if the cooling capacity of the appliance is suitable for storing the food or medicine.
- Food may only be stored in its original packaging or in suitable containers.
- If the appliance is left empty for long periods, switch off, defrost, clean, dry, and leave the lid open to prevent mould developing within the appliance.
- The cool box contains a flammable gas inside the compressor.
- The appliance is designed for recreational camping.



IF YOU WISH TO FINALLY DISPOSE OF THE DEVICE

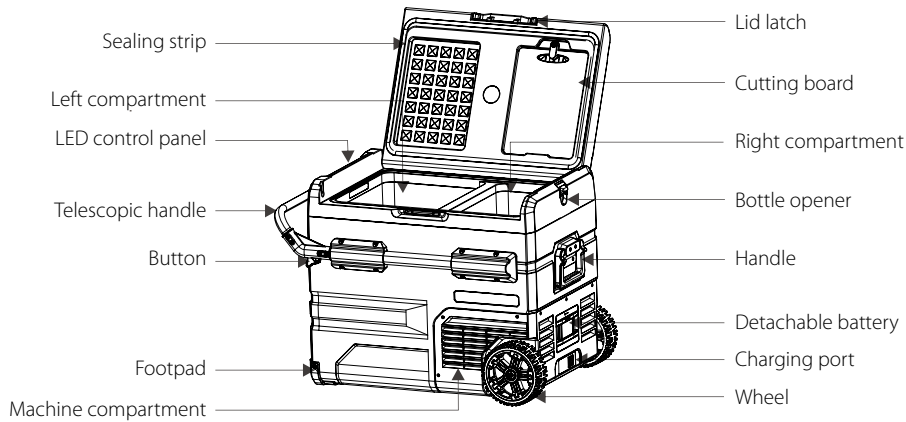
1. Remove cables, lid, tie-down brackets from body with compressor and dispose according to local regulations. Ask your local recycling centre for details about how to do this in accordance with the applicable disposal regulations.
2. Place the packaging material in the appropriate recycling waste bins wherever possible.



2. PRODUCT FEATURES

- High-efficiency DC compressor and conversion module.
- CFC free and great heat insulation.
- Lowest cooling to -20°C/-4°F (based on 25°C/77°F room temperature).
- Intelligent battery protection system prevents your vehicle from running out of battery.
- LED display control panel for temperature setting, USB charging port: 5V/1A.
- Detachable lithium battery: 15600mAh/11.1V.
- Specific parts: interior drain plug, oversized wheels, telescopic handle, cupholders (in the lid), interior LED light, cutting board and bottle opener.

3. PRODUCT STRUCTURE

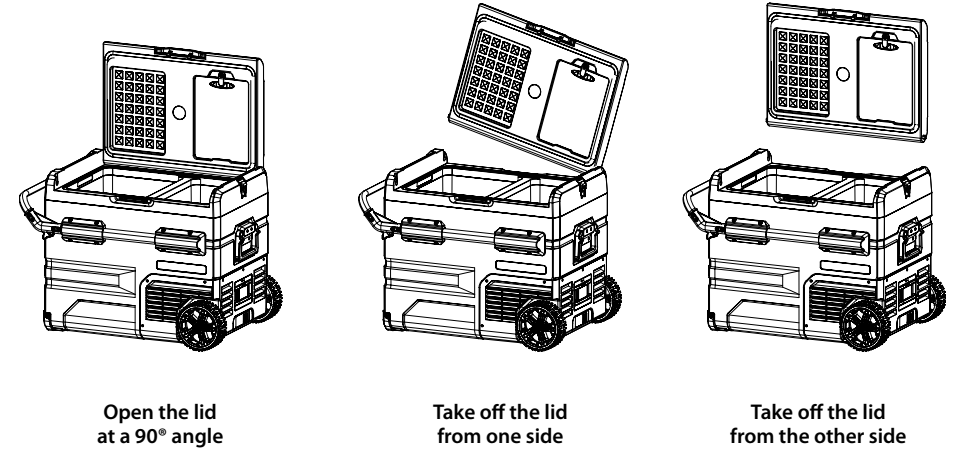


Note: There are buttons on both sides of the telescopic handle, press them at the same time to pull the rod. The cutting board can be moved by turning the knob on the top cover. Clean and dry the cutting board after every use.

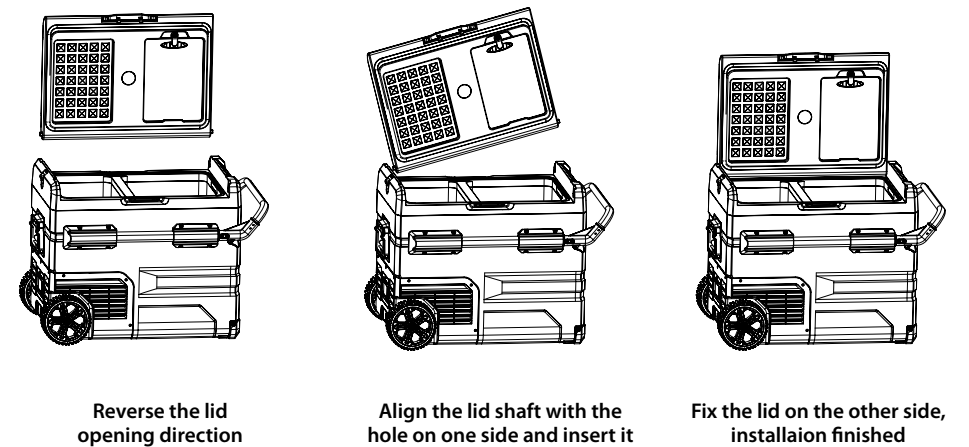
4. REVERSE LID OPENING DIRECTION

The lid opening direction can be changed according to actual needs, please follow the instructions below:

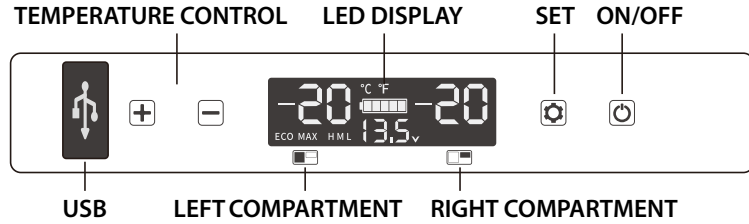
LID DISASSEMBLY:



LID INSTALLATION:



5. FUNCTIONS AND OPERATION



* Note: the right compartment is on the side where the compressor is.

- **Power supply:** Connect to DC 12V/24V or AC 100~240V (using dedicated adapter)
- **Display Screen Initialization:** When the cool box is switched on the buzzer will make a long beep, and the display will be on for two seconds then enter the standby mode.
- **Power On/Off:** Press to switch ON, **long** press for three seconds to switch OFF.
- **Temperature Setting:** Under the running state, long press **+** and at the same time for three seconds to switch ON/OFF the left compartment, long press **-** and at the same time for three seconds to switch ON/OFF the right compartment. Two compartments cannot be switched off at the same time. When both left and right compartments are set in running state, press **+** or **-** to enter left compartment temperature setting, press **+** to increase temperature, press **-** to decrease temperature, and press to switch between left or right compartment. The setting will be saved after stop operating for four seconds (Note: the temperature displayed is the current temperature of the compartments, it will take a while to reach the set temperature.)
Temperature setting range: -20~20°C (-4~68°F)
- **Cooling Mode:** Under the running state, press to switch to MAX (fast cooling) and ECO (Energy saving Mode). (*Factory setting is MAX.)
- **Battery Protection Mode:** under the running state, long press for three seconds until screen flashes, then press again to select protection mode H (High), M (Medium) and L (Low). (*Factory setting is H.)

VOLTAGE REFERENCE:

MODE \ INPUT	DC 12V		DC 24V	
	CUT-OFF	CUT-IN	CUT-OFF	CUT-IN
L	8.5V	10.9V	21.3V	22.7V
M	10.1V	11.4V	22.3V	23.7V
H	11.1V	12.4V	24.3V	25.7V

* the voltage is a theoretical value, there may be a deviation in different scenarios.
* H should be set when the product is connected to car power, and M or L should be set when it is connected to a portable battery or other back-up battery.

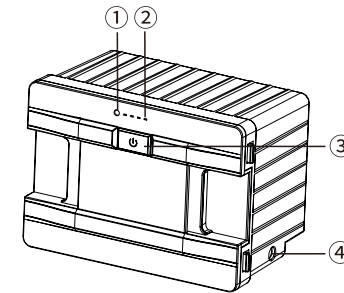
- **Temperature Unit Setting:** switch off the cool box, long press for three seconds until E1 displays, then switch to E5 by pressing again. Under E5 mode, press **+** or **-** to select Celsius or Fahrenheit. (*Factory setting is °C.)
- **Reset:** Switch off the cool box, long press for three seconds until E1 displays, under E1 mode, long press **+-** at the same time for three seconds to reset it.

RECOMMENDED TEMPERATURES FOR COMMON FOOD:

Drinks	Fruits	Vegetable	Ready-to-eat food	Wine	Ice cream	Meat
5°C/41°F	5~8°C/41~46°F	3~10°C/37~50°F	4°C/39°F	10°C/50°F	-10°C/14°F	-18°C/0°F

6. *BATTERY OPERATION (*NOT INCLUDED)

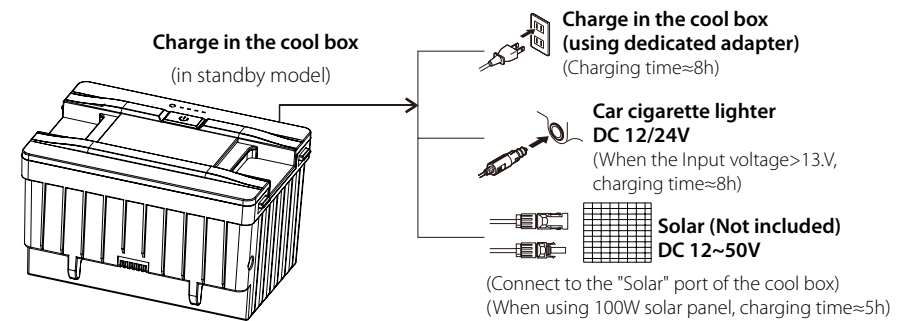
Battery ON/OFF: A long press on the power button will switch the battery ON/OFF. When the battery is OFF, a short press on the power button will show how much battery power is left.



Model: Arctic Frost Rechargeable Battery (590202) / FSAK-002
Capacity: 15600mAh/1 73Wh Rated Voltage: 11.1V
Charging Limited Voltage (DC): 12.6V Charging Limited Current (DC): 3A
① Power Indicator (Green: charging; Blue: discharging)
② Battery Indicator (show current battery)
③ Power Button ④ DC Charging Port

Warning: do not disassemble the battery!

• Battery charging (for reference only):



Note: It is suggested to switch off the cool box when charging the battery (the power supply may mainly power the compressor when the cool box is running).

If connecting to a solar panel, please place the cool box in a cool place to dissipate heat. The charging input power should be higher than the working power of the cool box (about 40-45W), or switch off the refrigerator, otherwise the battery will run out.

It is suggested to use 100W solar panel.

MAX Solar Input Voltage: SOV; MAX Solar Input Current: 10A.

Note: the output of the solar panel is unstable, so it cannot power the cool box directly. When using a solar panel, the battery should be put into the cool box.

- Discharging time (for reference only): In the low battery protection mode, the battery can last about 4 hours after being fully charged. When the temperature of the cool box is set between 2~8°C (ambient temperature 25°C), it can last 12 hours after the internal temperature stabilizes. Remove or switch off the battery to prevent self-discharge when not in use.

7. CARE AND MAINTENANCE

Cleaning:

- Switch off and unplug the device first to avoid electric shock.
- Use a wet cloth to clean the device and then wipe with a dry cloth.
- Do not soak the cool box in water or clean it under running water.
- Do not use abrasive cleaning agents during cleaning as these can damage the device.

Storage:

If the device will not be in use for a long time, please follow these instructions:

- Switch off and unplug the device.
- Take out all the items stored in the device.
- Wipe off excess water with a soft rag.
- Put the cool box in a cool and dry place.
- Leave the lid slightly open to prevent odors from forming.
- Recommended storage environment: Ambient temperature: 25°C, ambient humidity: ≤ 75%.

Defrosting:

- Humidity can form frost in the interior of the cooling device or on the evaporator. This reduces the cooling capacity. Defrost the device in good time to avoid this.
- Switch off and unplug the device first to avoid electric shock.
- Take out all the items stored in the device.
- Keep the lid open.
- Wipe off the defrosted water.



Never use hard or pointed tools to remove ice or to free objects frozen onto the device.

Replacing the AC plug fuse (220-240V)

- Unplug the cable from the mains socket and the cool box charging port.
- Pry open the fuse cover with a small flat head screwdriver in the center of the cable plug. Replace fuse with a new one that has the same rating (BS 1362 13A).
- Re-assemble the cable plug in the reverse order.

Replacing the cool box fuse (15A)

- Unplug the cable from the mains or 12V socket and the cool box charging port.
- Pry open the fuse cover with a small flat head screwdriver in the cool box charging port. Replace fuse with a new one that has the same rating (ATO regular blade fuse 15A).
- Re-assemble the charging port in the reverse order.

8. TROUBLESHOOTING

Issues	Cause/Suggestions
Cool box does not work	<ul style="list-style-type: none"> Check if the switch is on. Check if the plug and socket are properly connected. Check if the fuse has been burnt. Check if the power supply is malfunctioned. Switching the cool box on/off frequently may cause start delay of the compressor.
Cool box compartments are too warm	<ul style="list-style-type: none"> The lid is opened frequently. A large amount of warm or hot food was stored recently. The cool box has been disconnected for a long time
Food is frozen	<ul style="list-style-type: none"> The temperature was set too low
There is "water flow" noise from inside the cool box	<ul style="list-style-type: none"> It is a normal phenomenon, caused by the flow of refrigerant.
There are waterdrops around the cool box casing or lid gap	<ul style="list-style-type: none"> It is a normal phenomenon, the moisture will condense to water when it touches a cold surface of the cool box.
The compressor is slightly noisy when starting	<ul style="list-style-type: none"> It is a normal phenomenon, the noise will be reduced after the compressor works stably.
Code F1 displayed	<ul style="list-style-type: none"> Possible cause: low voltage to cool box. Adjust the battery protection from High to Medium or from Medium to Low.
Code F2 displayed	<ul style="list-style-type: none"> Possible cause: condenser fan is overloaded. Disconnect power to cool box for 5 minutes and re-start. If the code shows again, contact manufacturer for service.
Code F3 displayed	<ul style="list-style-type: none"> Possible cause: the compressor starts too frequently. Disconnect power to cool box for 5 minutes and re-start. If the code shows again, contact manufacturer for service.
Code F4 displayed	<ul style="list-style-type: none"> Possible cause: compressor not kicking in. Disconnect power to cool box for 5 minutes and re-start. If the code shows again, contact manufacturer for service.
Code F5 displayed	<ul style="list-style-type: none"> Possible cause: overheating of the compressor and electronics. Disconnect power to cool box for 5 minutes and re-start. If the code shows again, contact manufacturer for service.
Code F6 displayed	<ul style="list-style-type: none"> Possible cause: no parameter can be detected by the controller. Disconnect power to cool box for 5 minutes and re-start. If the code shows again, contact manufacturer for service.
Code F7 or F8 displayed	<ul style="list-style-type: none"> Possible cause: temperature sensor is faulty. Contact manufacturer for service.

*For models with FSAK-002 detachable battery, if code F1 displayed, unplug or turn off the battery, or connect to DC12/24V/AC100-240V (using the adapter) power supply to power the compressor and battery in time to avoid long-term micro-current draining the battery.

UK: INSTRUCTION MANUAL

9. GUARANTEE

The statutory guarantee period applies.

If the product is defective, please contact the manufacturer (see the back of the instruction manual) or your retailer.

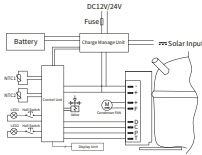
We strive to have spare parts available for up to 10 years.

For more information please see www.outwell.com

For repair and guarantee processing, please include the following documents when you send in the device:

- A copy of the receipt with purchasing date
- A reason for claim or description of the fault.

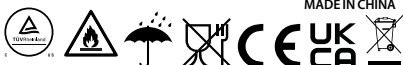
10. TECHNICAL INFORMATION



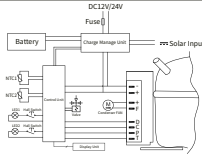
Outwell
explore the outdoors

Model	Arctic Frost 35 590197 / TWW35
Climatic Category	T, ST, N, SN
Rated Voltage AC(Adaptor)	100V - 240V 50-60Hz
Rated Voltage DC	12V/24V
Rated Current for AC(Adaptor)	1.2A - 0.5A
Rated Current for DC	5.0A(12V) / 2.5A(24V)
Protective Classification of Electric Shock Resistance	□
Refrigerant	R134a(40g)
Foam Vesicant	C ₅ H ₁₀
Inside volume	38.8L

MADE IN CHINA



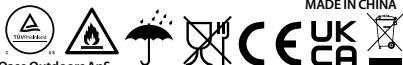
Oase Outdoors ApS
EU: Kornvej 9, DK-7323 Give, Denmark. UK: One Glass Wharf, Bristol, BS2 0ZX



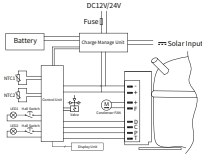
Outwell
explore the outdoors

Model	Arctic Frost 45 590199 / TWW45
Climatic Category	T, ST, N, SN
Rated Voltage AC(Adaptor)	100V - 240V 50-60Hz
Rated Voltage DC	12V/24V
Rated Current for AC(Adaptor)	1.2A - 0.5A
Rated Current for DC	5.0A(12V) / 2.5A(24V)
Protective Classification of Electric Shock Resistance	□
Refrigerant	R134a(40g)
Foam Vesicant	C ₅ H ₁₀
Inside volume	48.3L

MADE IN CHINA



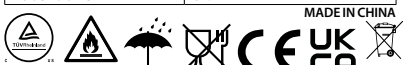
Oase Outdoors ApS
EU: Kornvej 9, DK-7323 Give, Denmark. UK: One Glass Wharf, Bristol, BS2 0ZX



Outwell
explore the outdoors

Model	Arctic Frost 55 590201 / TWW55
Climatic Category	T, ST, N, SN
Rated Voltage AC(Adaptor)	100V - 240V 50-60Hz
Rated Voltage DC	12V/24V
Rated Current for AC(Adaptor)	1.2A - 0.5A
Rated Current for DC	5.0A(12V) / 2.5A(24V)
Protective Classification of Electric Shock Resistance	□
Refrigerant	R134a(40g)
Foam Vesicant	C ₅ H ₁₀
Inside volume	57.7L

MADE IN CHINA



Oase Outdoors ApS
EU: Kornvej 9, DK-7323 Give, Denmark. UK: One Glass Wharf, Bristol, BS2 0ZX

STICHWORTVERZEICHNIS

1. SICHERHEITSHINWEISE	SEITE 13
2. PRODUKTMERKMALE.....	SEITE 14
3. PRODUKTKONSTRUKTION	SEITE 14
4. UMKEHRUNG DER ÖFFNUNGSRICHTUNG.....	SEITE 15
5. FUNKTION UND BETRIEB	SEITE 16
6. BATTERIEBETRIEB (BATTERIE NICHT IM LIEFERUMFANG ENTHALTEN)	SEITE 17
7. PFLEGE UND WARTUNG	SEITE 18
8. PROBLEMBEHANDLUNG.....	SEITE 19
9. GARANTIE	SEITE 20
10. TECHNISCHE INFORMATIONEN	SEITE 20

Bitte lesen Sie diese Betriebsanleitung vor Inbetriebnahme des Geräts sorgfältig durch. Bewahren Sie sie zum späteren Nachschlagen an einem sicheren Ort auf.

**1. SICHERHEITSHINWEISE****WARNUNG!**

- Das Gerät nicht in Betrieb nehmen, wenn es sichtbar beschädigt ist.
- Die Zwischenräume der Kühlbox nicht mit Dingen wie Stiften, Draht usw. blockieren.
- Das Gerät nicht dem Regen aussetzen und nicht in Wasser tauchen.
- Das Gerät nicht in der Nähe von offenen Flammen oder anderen Wärmequellen (Heizungen, direktem Sonnenlicht, Gasöfen usw.) aufstellen.
- Keine explosiven Stoffe wie Spraydosen mit brennbarem Treibgas lagern.
- Es muss sichergestellt sein, dass das Netzkabel trocken, nicht eingeklemmt und unbeschädigt ist. Niemals mehrere externe Steckdosen oder Netzteile an der Rückseite des Geräts anbringen.
- Die Übereinstimmung der Spannungsangabe auf dem Typenschild mit der Spannung der Stromversorgung prüfen. Das Gerät darf nur mit dem mitgelieferten Netzteil betrieben werden.
- Keine elektrischen Geräte in den Lebensmittelaufbewahrungsfächern des Geräts verwenden, es sei denn, es handelt sich um den vom Hersteller empfohlenen Typ.
- Nach dem Auspacken und vor dem Einschalten muss das Gerät für mehr als 6 Stunden auf eine ebene Fläche gestellt werden.
- Das Gerät muss im Betrieb waagrecht stehen. Der Neigungswinkel muss bei Langzeitbetrieb weniger als 5 Grad und bei Kurzzeitbetrieb weniger als 45 Grad betragen.
- Die Lüftungsöffnungen im Gerätegehäuse oder in der Einbaukonstruktion von Hindernissen freigehalten. (Rund um den Kompressor ≥ 100 mm).
- Platzieren Sie das Gerät so auf dem Boden oder im Auto, dass es stabil steht. Lassen Sie es nicht auf dem Kopf stehend ab.

**ACHTUNG!**

- Reparaturen dürfen nur von qualifiziertem Personal durchgeführt werden. Eine unsachgemäße Reparatur kann Gefahren verursachen. Die Lampe und das Netzkabel müssen vom Hersteller oder von qualifizierten Personen ausgetauscht werden.
- Kinder im Alter von 3-8 Jahren dürfen Kühlgeräte *nur* be- und entladen.
- Kinder dürfen nicht mit dem Gerät spielen.
- Reinigung und Wartung durch den Benutzer dürfen von Kindern nicht ohne Aufsicht durchgeführt werden.
- Das Gerät kann von Kindern ab 8 Jahren und Personen mit eingeschränkten körperlichen, sensorischen oder geistigen Fähigkeiten oder mangelnder Erfahrung und Kenntnis benutzt werden, wenn sie beaufsichtigt oder in den sicheren Gebrauch des Gerätes eingewiesen wurden und die Gefahren verstehen.

**HINWEIS!**

- Die Stromversorgung vor jeder Reinigung und Wartung sowie nach jedem Gebrauch trennen.
- Zum Auftauen keine scharfen Werkzeuge verwenden. Den Kältemittelkreislauf nicht beschädigen.
- Prüfen Sie, ob die Kühlleistung des Gerätes für die Lagerung der Lebensmittel oder Medikamente geeignet ist.
- Lebensmittel dürfen nur in der Originalverpackung oder in geeigneten Behältern gelagert werden.
- Wird das Gerät für längere Zeit leer gelassen, ausschalten, abtauen, reinigen, trocknen und den Deckel geöffnet lassen, um Schimmelbildung im Gerät zu vermeiden.
- Die Kühlbox enthält ein entflammbares Gas im Inneren des Kompressors.
- Das Gerät ist für den Einsatz beim Freizeitcamping ausgelegt.



DE: BEDIENUNGSANLEITUNG

WENN SIE DAS GERÄT ENDGÜLTIG ENTSORGEN MÖCHTEN

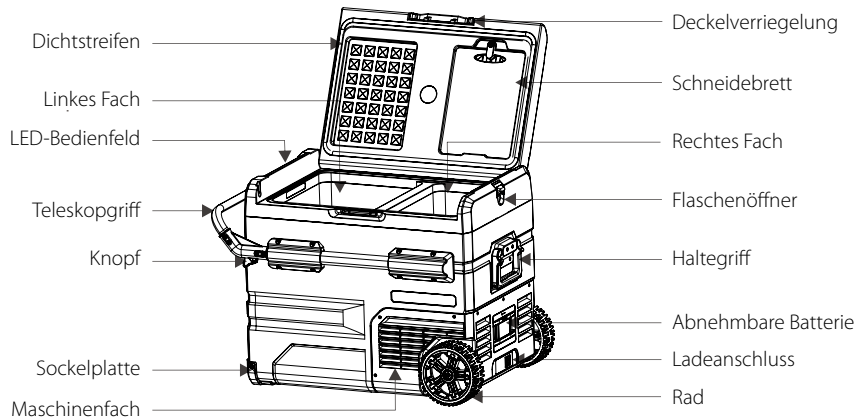
- Entfernen Sie die Kabel, den Deckel und die Befestigungsklammern vom Gehäuse mit dem Kompressor und entsorgen Sie die Teile gemäß den örtlichen Vorschriften. Wenden Sie sich an Ihre örtliche Entsorgungsstelle, um zu erfahren, wie Sie dies gemäß den geltenden Entsorgungsvorschriften tun können.
- Geben Sie das Verpackungsmaterial nach Möglichkeit in die entsprechenden Recycling-Mülltonnen.



2. PRODUKTMERKMALE

- Hocheffizienter Gleichstromkompressor und Wechselrichter.
- FCKW-frei und hervorragende Wärmedämmung.
- Niedrigste Kühlung auf -20 °C/-4 °F (basierend auf 25 °C/77 °F Raumtemperatur).
- Das intelligente Batterieschutzsystem verhindert eine Entleerung Ihrer Fahrzeugbatterie.
- Bedienfeld mit LED-Anzeige für Temperatureinstellung, USB-Ladeanschluss: SV/IA.
- Abnehmbare Lithium-Batterie: 15600 mAh/11,1 V.
- Spezifische Teile: innenliegender Ablassstopfen, übergroße Räder, Teleskopgriff, Becherhalter (im Deckel), innenliegende LED-Leuchte, Schneidbrett und Flaschenöffner.

3. PRODUKTKONSTRUKTION



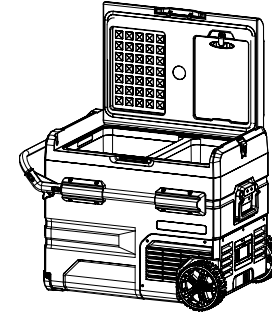
Hinweis: Auf beiden Seiten des Teleskopgriffs befinden sich Knöpfe, die zum Herausziehen der Stange gleichzeitig gedrückt werden müssen. Das Schneidbrett kann durch Drehen des Knopfes an der oberen Abdeckung bewegt werden. Reinigen und trocknen Sie das Schneidbrett nach jedem Gebrauch.

DE: BEDIENUNGSANLEITUNG

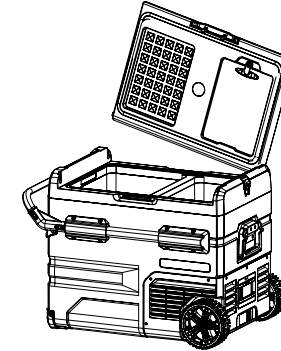
4. UMKEHRUNG DER ÖFFNUNGSRICHTUNG

Die Öffnungsrichtung des Deckels kann je nach Bedarf geändert werden. Bitte befolgen Sie die nachstehenden Anweisungen:

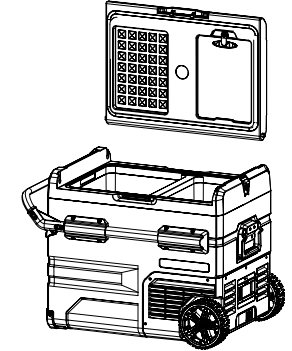
DEMONTAGE DES DECKELS:



Deckel in einem 90-Grad-Winkel öffnen

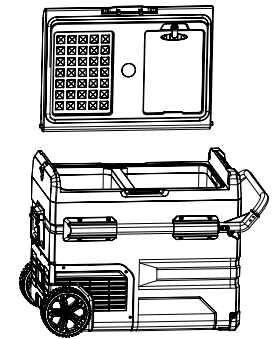


Deckel von einer Seite abnehmen

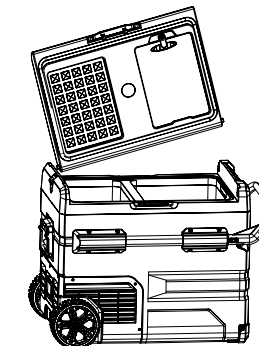


Deckel von der anderen Seite abnehmen

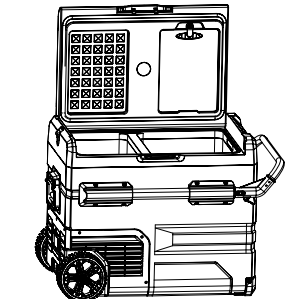
MONTAGE DES DECKELS:



Öffnungsrichtung des Deckels umkehren

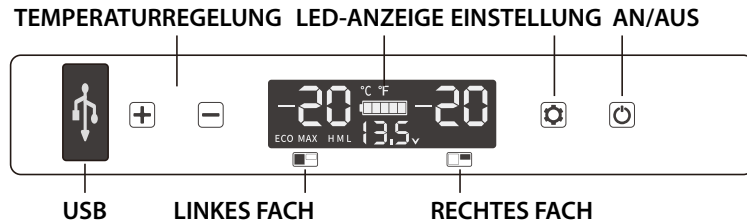


Deckelstange mit der Öffnung auf einer Seite ausrichten und einsetzen



Deckel auf der anderen Seite befestigen; die Montage ist abgeschlossen

5. FUNKTIONEN UND BEDIENUNG



* Hinweis: Das rechte Fach befindet sich auf der Seite des Kompressors.

- **Stromversorgung:** Anschluss erfolgt an DC 12 V/24 V oder AC 100~240 V (mit speziellem Adapter)
- **Display-Initialisierung:** Beim Einschalten der Kühlbox ertönt ein langer Signalton, das Display leuchtet zwei Sekunden lang auf und wechselt dann in den Stand-by-Modus.
- **Ein-/Aussschalten:** Zum Einschalten drücken, zum Ausschalten drei Sekunden lang drücken.
- **Temperatureinstellung:** Im laufenden Betrieb drei Sekunden lang auf **+** und gleichzeitig auf drücken, um das linke Fach ein- und auszuschalten. Um das rechte Fach auszuschalten, drei Sekunden **-** und gleichzeitig drücken. Es ist nicht möglich, zwei Fächer gleichzeitig auszuschalten. Wenn sowohl das linke als auch das rechte Fach in Betrieb sind, **+** oder **-** drücken, um die Temperatureinstellung für das linke Fach einzugeben, auf **+** drücken, um die Temperatur zu erhöhen, auf **-** drücken, um die Temperatur zu senken, und auf drücken, um zwischen linkem und rechtem Fach umzuschalten. Die Einstellung wird nach einer Betriebsunterbrechung von vier Sekunden gespeichert (Hinweis: Die angezeigte Temperatur ist die aktuelle Temperatur der Fächer. Es dauert eine Weile, bis die eingestellte Temperatur erreicht ist.)
Temperatureinstellbereich: -20~20 °C (-4~68 °F)
- **Kühlbetrieb:** Im laufenden Betrieb auf drücken, um auf MAX (Schnellkühlung) und ECO (Energiesparmodus) umzuschalten. (*Werkseinstellung ist MAX.)
- **Batterieschutzmodus:** Im Betriebszustand drei Sekunden lang drücken, bis der Bildschirm blinkt, dann erneut drücken, um den Schutzmodus H (Hoch), M (Mittel) und L (Niedrig) auszuwählen. (*Werkseinstellung ist H.)

SPANNUNGSREFERENZ:

MODUS \ EINGANG	DC 12 V		DC 24 V	
	ABSCHALTUNG	EINSCHALTUNG	ABSCHALTUNG	EINSCHALTUNG
L	8,5 V	10,9 V	21,3 V	22,7 V
M	10,1 V	11,4 V	22,3 V	23,7 V
H	11,1 V	12,4 V	24,3 V	25,7 V

* Da es sich bei der Spannung um einen theoretischen Wert handelt, kann es in verschiedenen Szenarien zu einer Abweichung kommen.

* H sollte eingestellt werden, wenn das Produkt an das Stromnetz des Autos angeschlossen ist. M oder L sollte eingestellt werden, wenn es an eine externe Batterie oder eine andere Notstrombatterie angeschlossen ist.

Einstellung der Temperatureinheit: Kühlbox ausschalten, drei Sekunden lang drücken, bis E1 angezeigt wird, dann durch erneutes Drücken von auf E5 umschalten. Im E5-Modus **+** oder **-** drücken, um Celsius bzw. Fahrenheit auszuwählen.

(*Werkseinstellung ist °C.)

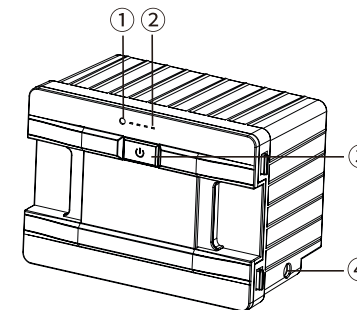
- **Zurücksetzen** Kühlbox ausschalten, drei Sekunden lang drücken, bis E1 angezeigt wird, im E1-Modus gleichzeitig **+-** drei Sekunden lang drücken, um die Einstellungen zurückzusetzen.

EMPFOLHENE TEMPERATUREN FÜR GÄNGIGE LEBENSMITTEL:

Getränke	Obst	Gemüse	Fertiggerichte	Wein	Eiscreme	Fleisch
5 °C/41 °F	5~8 °C/41~46 °F	3~10 °C/37~50 °F	4 °C/39 °F	10 °C/50 °F	-10 °C/14 °F	-18 °C/0 °F

6. *BATTERIEBETRIEB (*BATTERIEN NICHT ENTHALTEN)

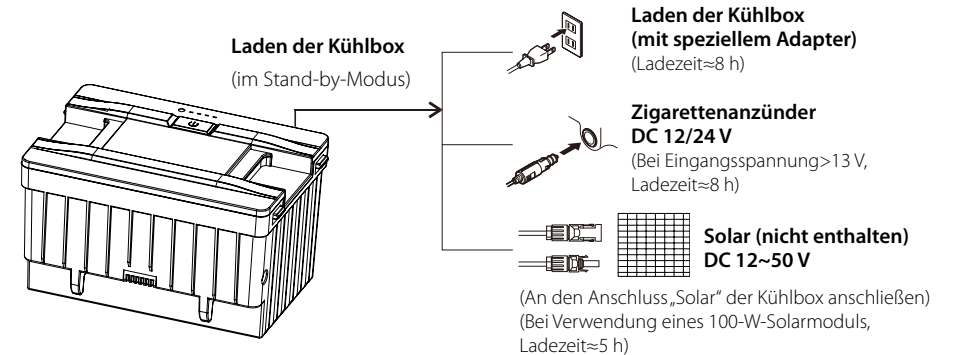
Batterie EIN/AUS: Durch langes Drücken der Ein-/Aus-Taste wird die Batterie ein- und ausgeschaltet. Wenn die Batterie ausgeschaltet ist, wird durch kurzes Drücken der Ein-/Aus-Taste angezeigt, wie viel Batterieleistung noch vorhanden ist



Modell: Arctic Frost Rechargeable Battery (590202) / FSAK-002
 Kapazität: 15600 mAh/173 Wh Nennspannung: 11,1 V
 Ladespannungsbegrenzung (DC): 12,6 V Ladestrombegrenzung (DC): 3 A
 ① Leistungsanzeige (Grün: Aufladen; Blau: Entladen)
 ② Batterieanzeige (zeigt den aktuellen Batteriezustand an)
 ③ Ein-/Aus-Taste ④ DC-Ladeanschluss

Achtung: Batterie nicht zerlegen!

- **Laden der Batterie (nur als Referenz):**



Hinweis: Es wird empfohlen, die Kühlbox beim Aufladen der Batterie auszuschalten (das Netzteil versorgt hauptsächlich den Kompressor, wenn die Kühlbox in Betrieb ist).

Bei Anschluss an ein Solarmodul die Kühlbox an einen kühlen Ort stellen, um die Wärme abzuführen. Die Ladeleistung sollte höher sein als die Arbeitsleistung der Kühlbox (ca. 40-45W) oder den Kühlschränk ausschalten, da sonst der Akku entleert wird.

Es wird empfohlen, ein 100-W-Solarmodul zu verwenden.

MAX. Solar-Eingangsspannung: SOV; MAX. Solareingangsstrom: 10 A.

Hinweis: Die Leistung des Solarmoduls ist instabil, daher kann es die Kühlbox nicht direkt mit Strom versorgen. Bei Verwendung eines Solarmoduls sollte die Batterie in die Kühlbox gelegt werden.

- Entladezeit (nur als Referenz): Im Batterieschutzmodus hält die Batterie nach dem vollständigen Aufladen etwa 4 Stunden lang. Wenn die Temperatur der Kühlbox auf 2~8 °C (Umgebungstemperatur 25 °C) eingestellt ist, hält sie etwa 12 Stunden nach Stabilisierung der Innentemperatur. Entfernen Sie die Batterie oder schalten Sie sie aus, um eine Selbstentladung zu verhindern, wenn sie nicht verwendet wird.

7. PFLEGE UND WARTUNG

Reinigung:

- Zunächst das Gerät ausschalten und den Stecker ziehen, um einen Stromschlag zu vermeiden.
- Das Gerät mit einem feuchten Tuch reinigen und anschließend mit einem trockenen Tuch abwischen.
- Die Kühlbox nicht in Wasser einweichen oder unter fließendem Wasser reinigen.
- Für die Reinigung keine scheuernden Reinigungsmittel verwenden, da diese das Gerät beschädigen können.

Lagerung:

Wenn das Gerät längere Zeit nicht verwendet werden soll, gehen Sie wie folgt vor:

- Das Gerät ausschalten und den Stecker ziehen.
- Alle im Gerät verstauten Gegenstände herausnehmen.
- Überschüssiges Wasser mit einem weichen Tuch abwischen.
- Kühlbox an einen kühlen und trockenen Ort stellen.
- Den Deckel leicht geöffnet lassen, um Geruchsbildung zu vermeiden.
- Empfohlene Lagerumgebung: Umgebungstemperatur: 25 °C, Luftfeuchtigkeit: ≤ 75 %.

Abtauen:

- Feuchtigkeit kann zu Reifbildung im Inneren des Kühlgeräts oder am Verdampfer führen. Dies reduziert die Kühlleistung. Tauen Sie das Gerät rechtzeitig ab, um dies zu vermeiden.
- Zunächst das Gerät ausschalten und den Stecker ziehen, um einen Stromschlag zu vermeiden.
- Alle im Gerät verstauten Gegenstände herausnehmen.
- Deckel geöffnet halten. Tauwasser abwischen.

Niemals harte oder spitze Werkzeuge verwenden, um Eis zu entfernen oder an dem Gerät festgefrorene Gegenstände zu lösen.



Wechsel der AC-Steckersicherung (220-240V)

1. Das Kabel aus der Netzsteckdose und dem Ladeanschluss der Kühlbox ziehen.
2. Die Sicherungsabdeckung mithilfe eines kleinen Schlitzschraubendrehers in der Mitte des Kabelsteckers aufhebeln. Die Sicherung durch eine neue mit der gleichen Nennleistung (BS 1362 13 A) ersetzen.
3. Den Kabelstecker in umgekehrter Reihenfolge wieder zusammenbauen.

Auswechseln der Kühlbox-Sicherung (15 A)

1. Das Kabel aus der Netz- oder 12-V-Steckdose und dem Ladeanschluss der Kühlbox ziehen.
2. Die Sicherungsabdeckung mithilfe eines kleinen Schlitzschraubendrehers im Ladeanschluss der Kühlbox aufhebeln. Die Sicherung durch eine neue mit der gleichen Nennleistung (ATO Standard-Flachsicherung 15 A) ersetzen.
3. Den Ladeanschluss in umgekehrter Reihenfolge wieder zusammenbauen.

8. PROBLEMBEHANDLUNG

Problemstellung	Ursache/Vorschläge
Kühlbox funktioniert nicht	<ul style="list-style-type: none"> • Prüfen, ob der Schalter eingeschaltet ist. • Prüfen, ob Stecker und Steckdose richtig angeschlossen sind. • Prüfen, ob die Sicherung durchgebrannt ist. • Prüfen, ob die Stromversorgung defekt ist. • Häufiges Ein-/Ausschalten der Kühlbox kann zu einer Startverzögerung des Kompressors führen.
Kühlboxfächer sind zu warm	<ul style="list-style-type: none"> • Der Deckel wird häufig geöffnet. • Es wurde vor Kurzem eine große Menge an warmen oder heißen Lebensmitteln gelagert. • Kühlbox war seit Langem nicht mehr angeschlossen.
Lebensmittel sind gefroren	<ul style="list-style-type: none"> • Die Temperatur wurde zu niedrig eingestellt.
Aus dem Inneren der Kühlbox ist ein Geräusch von fließendem Wasser zu hören	<ul style="list-style-type: none"> • Es handelt sich um ein normales Phänomen, das durch den Kältemittelfluss verursacht wird.
Es bilden sich Wassertropfen am Kühlboxgehäuse oder Deckelspalt	<ul style="list-style-type: none"> • Es handelt sich um ein normales Phänomen: Feuchtigkeit kondensiert zu Wasser, wenn sie mit der kalten Oberfläche der Kühlbox in Kontakt kommt.
Der Kompressor ist beim Starten ziemlich laut	<ul style="list-style-type: none"> • Es handelt sich um ein normales Phänomen: Das Geräusch reduziert sich, sobald der Kompressor stabil arbeitet.
Code F1 wird angezeigt	<ul style="list-style-type: none"> • Mögliche Ursache: niedrige Spannungsversorgung zur Kühlbox. Stellen Sie den Batterieschutz von Hoch auf Mittel oder von Mittel auf Niedrig ein.
Code F2 wird angezeigt	<ul style="list-style-type: none"> • Mögliche Ursache: Der Kondensatorlüfter ist überlastet. Die Kühlbox für 5 Minuten von der Stromversorgung trennen und neu starten. Wenn der Code erneut angezeigt wird, wenden Sie sich an den Hersteller, um eine Wartung durchführen zu lassen.
Code F3 wird angezeigt	<ul style="list-style-type: none"> • Mögliche Ursache: Der Kompressor startet zu häufig. Die Stromzufuhr zur Kühlbox für 5 Minuten trennen und neu starten. Wenn der Code erneut angezeigt wird, wenden Sie sich an den Hersteller, um eine Wartung durchführen zu lassen.
Code F4 wird angezeigt	<ul style="list-style-type: none"> • Mögliche Ursache: Kompressor läuft nicht an. Die Stromzufuhr zur Kühlbox für 5 Minuten trennen und neu starten. Wenn der Code erneut angezeigt wird, wenden Sie sich an den Hersteller, um eine Wartung durchführen zu lassen.
Code F5 wird angezeigt	<ul style="list-style-type: none"> • Mögliche Ursache: Überhitzung des Kompressors und der Elektronik. Die Kühlbox für 5 Minuten von der Stromversorgung trennen und neu starten. Wenn der Code erneut angezeigt wird, wenden Sie sich an den Hersteller, um eine Wartung durchführen zu lassen.
Code F6 wird angezeigt	<ul style="list-style-type: none"> • Mögliche Ursache: Es wird kein Parameter von der Steuerung erkannt. Die Kühlbox für 5 Minuten von der Stromversorgung trennen und neu starten. Wenn der Code erneut angezeigt wird, wenden Sie sich an den Hersteller, um eine Wartung durchführen zu lassen.
Code F7 oder F8 wird angezeigt	<ul style="list-style-type: none"> • Mögliche Ursache: Temperatursensor ist defekt. Wenden Sie sich an den Hersteller, um eine Wartung durchführen zu lassen.

*Bei Modellen mit abnehmbarer Batterie FSAK-002: Wenn der Code F1 angezeigt wird, die Batterie herausziehen oder ausschalten, oder an die Stromversorgung DC 12/24 V/AC 100-240 V (mithilfe des Adapters) anschließen, um den Kompressor und die Batterie rechtzeitig mit Strom zu versorgen, und so eine langfristige Entladung der Batterie durch Mikrostrom zu vermeiden.

DE: BEDIENUNGSANLEITUNG

9. GARANTIE

Es gilt die gesetzliche Gewährleistungsfrist.

Wenn das Produkt defekt ist, wenden Sie sich bitte an den Hersteller (siehe Rückseite der Bedienungsanleitung) oder an Ihren Händler.

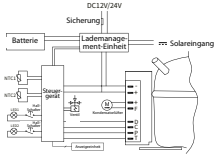
Wir sind bestrebt, Ersatzteile für bis zu 10 Jahre vorrätig zu haben.

Weitere Informationen finden Sie unter www.outwell.com

Für die Reparatur und Garantieabwicklung legen Sie bitte folgende Dokumente bei, wenn Sie das Gerät einsenden:

- Eine Kopie des Kaufbelegs mit Kaufdatum
- Eine Begründung für die Reklamation oder eine Beschreibung des Fehlers.

10. TECHNISCHE DATEN



DC12V/24V

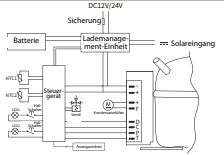
Sicherung
Lademanage (mens-Einheit)
Batterie
Solar eingang

Outwell
explore the outdoors

Modell	Arctic Frost 35 590197 / TWW35
Klimakategorie	T, ST, N, SN
Nennspannung AC (Adapter)	100V - 240V 50-60Hz
Nennspannung DC	12V/24V
Nennstrom AC (Adapter)	1,2A - 0,5A
Nennstrom DC	5,0A(12V) / 2,5A(24V)
Schutzklassifizierung der Widerstandsfähigkeit gegen Stromschlag	□
Kältemittel	R134a (40 g)
Schaummittel	C ₂ H ₁₀
Inwendiges Volumen	38,8 l

MADE IN CHINA

Oase Outdoors ApS
EU: Kornvej 9, DK-7323 Give, Denmark. UK: One Glass Wharf, Bristol, BS2 0ZX



DC12V/24V

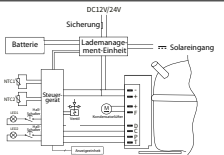
Sicherung
Lademanage (mens-Einheit)
Batterie
Solar eingang

Outwell
explore the outdoors

Modell	Arctic Frost 45 590199 / TWW45
Klimakategorie	T, ST, N, SN
Nennspannung AC (Adapter)	100V - 240V 50-60Hz
Nennspannung DC	12V/24V
Nennstrom AC (Adapter)	1,2A - 0,5A
Nennstrom DC	5,0A(12V) / 2,5A(24V)
Schutzklassifizierung der Widerstandsfähigkeit gegen Stromschlag	□
Kältemittel	R134a (40 g)
Schaummittel	C ₂ H ₁₀
Inwendiges Volumen	48,3 l

MADE IN CHINA

Oase Outdoors ApS
EU: Kornvej 9, DK-7323 Give, Denmark. UK: One Glass Wharf, Bristol, BS2 0ZX



DC12V/24V

Sicherung
Lademanage (mens-Einheit)
Batterie
Solar eingang

Outwell
explore the outdoors

Modell	Arctic Frost 55 590201 / TWW55
Klimakategorie	T, ST, N, SN
Nennspannung AC (Adapter)	100V - 240V 50-60Hz
Nennspannung DC	12V/24V
Nennstrom AC (Adapter)	1,2A - 0,5A
Nennstrom DC	5,0A(12V) / 2,5A(24V)
Schutzklassifizierung der Widerstandsfähigkeit gegen Stromschlag	□
Kältemittel	R134a (40 g)
Schaummittel	C ₂ H ₁₀
Inwendiges Volumen	57,7 l

MADE IN CHINA

Oase Outdoors ApS
EU: Kornvej 9, DK-7323 Give, Denmark. UK: One Glass Wharf, Bristol, BS2 0ZX

INDHOLDSFORTEGNELSE

1. SIKKERHEDSANVISNINGER	SIDE 23
2. PRODUKTFUNKTIONER	SIDE 24
3. PRODUKTSTRUKTUR.....	SIDE 24
4. RETNINGSÆNDRING AF LÅGÅBNING.....	SIDE 25
5. FUNKTION OG BETJENING.....	SIDE 26
6. BATTERIDRIFT (BATTERI MEDFØLGER IKKE)	SIDE 27
7. VEDLIGEHOLDELSE	SIDE 28
8. FEJLFINDING	SIDE 29
9. GARANTI	SIDE 30
10. TEKNISKE OPLYSNINGER	SIDE 30

Læs denne betjeningsvejledning omhyggeligt, før apparatet tages i brug. Opbevar den et sikkert sted til fremtidig brug.

**1. SIKKERHEDSINSTRUKTIONER****ADVARSEL!**

- Brug ikke apparatet, hvis det er synligt beskadiget.
- Bloker ikke køleboksens mellemrum med stifter, ledninger osv.
- Apparatet må ikke udsættes for regn eller sænkes i vand.
- Apparatet må ikke placeres nær åben ild eller andre varmekilder (varmeapparater, direkte sollys, gasovne osv.).
- Eksplosive stoffer som f.eks. spraydåser må ikke opbevares sammen med brændbare drivmidler.
- Sørg for, at netledningen er tør og ikke sidder fast eller er beskadiget. Undgå at placere flere transportable stikdåser eller transportable strømforsyninger bag på apparatet.
- Kontrollér, at spændingsspecifikationen på typeskiltet svarer til energiforsyningen. Apparatet må kun bruges med den strømforsyning, der følger med apparatet.
- Brug ikke elektriske apparater inde i opbevaringsrummene til fødevarer, medmindre de er af den type, der anbefales af producenten.
- Når apparatet er pakket ud, og inden det tændes, skal det placeres på en plan overflade i mere end 6 timer.
- Sørg for, at apparatet forbliver vandret, mens det kører. Vippevinklen skal være mindre end 5 ° ved lang tids brug og mindre end 45 ° ved kort tids brug.
- Sørg for, at ventilationsåbningerne i apparatets kabinet eller i den indbyggede konstruktion er fri for forhindringer.
(Omkring kompressoren ≥ 100 mm).
- Sørg for, at apparatet står stabilt på jorden eller i bilen. Tøm det ikke for væske med bunden i vejret.

**BEMÆRK!**

- Reparationer må kun udføres af kvalificerede personer. Reparationer, der udføres forkert, kan medføre fare. Lampen og ledningen skal udskiftes af producenten eller en kvalificeret person.
- Børn i alderen 3-8 år må *kun* fylde og tømme kølere.
- Børn må ikke lege med apparatet.
- Rengøring og vedligeholdelse må ikke udføres af børn uden opsyn af en voksen.
- Apparatet kan anvendes af børn fra 8 år og af personer med nedsatte fysiske, sensoriske eller mentale evner eller manglende erfaring og viden, hvis de er under opsyn eller er blevet instrueret i sikker brug af enheden og forstår farerne.

**OBS!**

- Afbryd strømforsyningen før hver rengøring og vedligeholdelse og efter hver brug.
 - Brug ikke skarpe værktøjer til afrimning, og undgå at beskadige kølemiddelkredsløbet.
 - Kontrollér, om apparatets kølekapacitet er egnet til opbevaring af mad eller medicin.
 - Fødevarer må kun opbevares i den originale emballage eller i egnede beholdere.
 - Hvis apparatet står tomt i længere tid, skal du slukke, afrime, rengøre, tørre og lade låget stå åbent for at forhindre, at der dannes mug inde i apparatet.
 - Køleboksen indeholder en brændbar gas inde i kompressoren.
- Apparatet er beregnet til campingbrug.



HVIS DU VIL BORTSKAFFE ENHEDEN

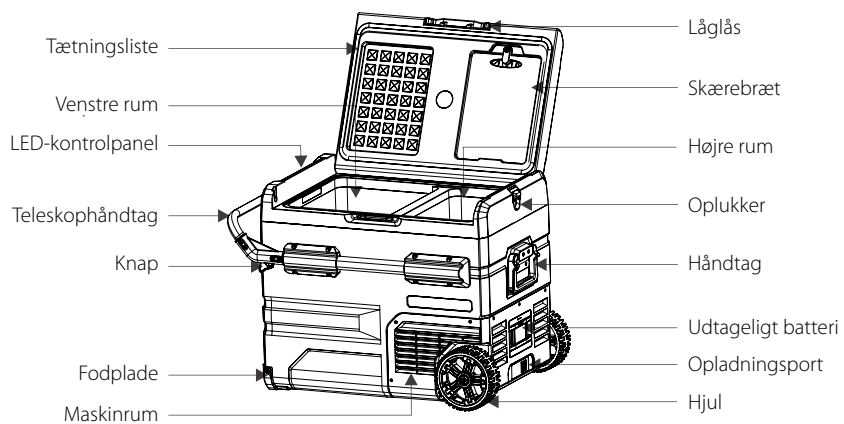
1. Fjern kabler, låg, beslag fra kabinettet med kompressoren, og bortskaf dem i henhold til lokale bestemmelser. Spørg din lokale genbrugsstation om, hvordan du gør dette i overensstemmelse med gældende regler for bortskaffelse.
2. Anbring så vidt muligt emballagematerialet i de dertil indrettede affaldsbeholdere til genbrug.



2. PRODUKTEGENSKABER

- Højeffektiv jævnstrømskompressor og konverteringsmodul.
- CFC-fri og fremragende varmeisolerings.
- Laveste køling til -20 °C (baseret på en rumtemperatur på 25 °C).
- Intelligent batteribeskyttelsessystem forhindrer, at bilen løber tør for batteri.
- LED-displaykontrolpanel til temperaturindstilling, USB-opladningsport: SV/IA.
- Udtageligt litiumbatteri: 15.600 mAh/11,1 V.
- Specifikke dele: indvendigt aftapningsprop, store hjul, teleskophåndtag, kopholdere (i låget), indvendigt LED-lys, skærebræt og oplukker.

3. PRODUKTSTRUKTUR

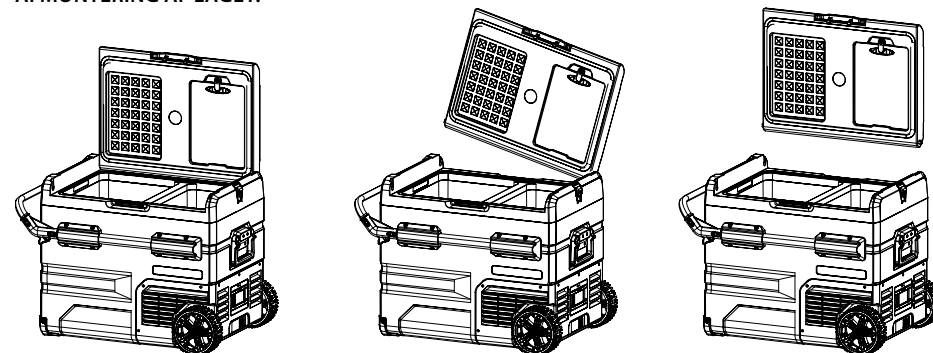


Bemærk: Der er knapper på begge sider af teleskophåndtaget. Tryk på dem samtidig for at trække i stangen. Skærebrættet kan flyttes ved at dreje på knappen på topdækslet. Rengør og tør skærebrættet efter hver brug.

4. RETNINGSÆNDRING AF LÅGÅBNING

Lågets åbningsretning kan ændres i henhold til de faktiske behov. Følg instruktionerne nedenfor:

AFMONTERING AF LÅGET:

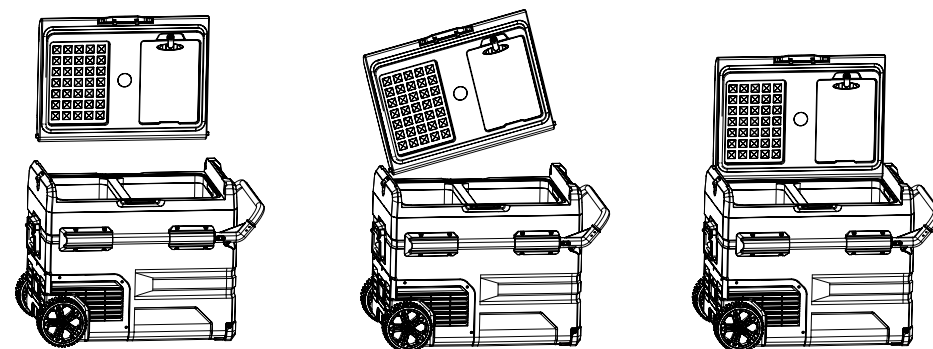


Åbn låget i en 90 graders vinkel

Tag låget af fra én side

Tag låget af fra den anden side

MONTERING AF LÅG:

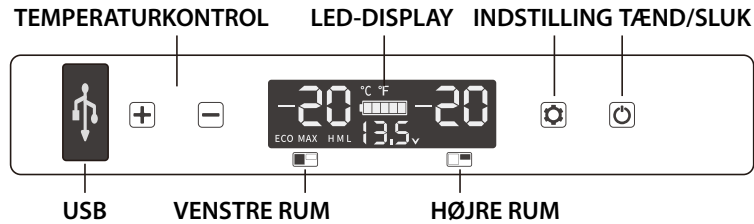


Vend lågets åbningsretning

Juster lågets skaft med hullet i den ene side, og sæt det i

Fastgør låget på den anden side, installationen er afsluttet

5. FUNKTIONER OG BETJENING



* Bemærk: Det højre rum er på den side, hvor kompressoren er.

- **Strømforsyning:** Slut til jævnstrøm 12 V/24 V eller vekselstrøm 100~240 V (ved hjælp af en dedikeret adapter)
- **Igang sætning af displayskærm:** Når køleboksen er tændt, afgiver summeren et langt bip, og displayet er tændt i to sekunder. Derefter går det i standbytilstand.
- **Tænd/sluk:** Tryk på for at tænde, hold nede i tre sekunder for at slukke.
- **Temperaturindstilling:** I driftstilstand skal du trykke på **+** og samtidigt i tre sekunder for at tænde/slukke for venstre rum, tryk på **-** og samtidigt i tre sekunder for at tænde/slukke for højre rum. To rum kan ikke slukkes på samme tid. Hvis både venstre og højre rum er indstillet til at køre, skal du trykke på **+** eller **-** for at gå til temperaturindstilling for venstre rum. Tryk på **+** for at øge temperaturen, tryk på **-** for at sænke temperaturen, og tryk på for at skifte mellem venstre eller højre rum. Indstillingen gemmes efter driftsstop i fire sekunder (Bemærk: Den viste temperatur er rummernes aktuelle temperatur. Det tager et stykke tid at nå den indstillede temperatur.)
Temperaturindstillingsområde: -20~20 °C
- **Køletilstand:** I driftstilstand trykkes på for at skifte til MAX (hurtig køling) og ECO (energisparetilstand). (*Fabriksindstillingen er MAX.)
- **Batteribeskyttelsestilstand:** Tryk i driftstilstand på i tre sekunder, indtil skærmen blinker, og tryk derefter på igen for at vælge beskyttelsestilstand H (høj), M (medium) og L (lav). (*Fabriksindstillingen er H.)

SPÆNDING:

INPUT TILSTAND	12 V jævnstrøm		24 V jævnstrøm	
	FRAKOBLING	TILSLUTNING	FRAKOBLING	TILSLUTNING
L	8,5 V	10,9 V	21,3 V	22,7 V
M	10,1 V	11,4 V	22,3 V	23,7 V
H	11,1 V	12,4 V	24,3 V	25,7 V

* spændingen er en teoretisk værdi, der kan være en afvigelse i forskellige scenarier.
* H skal indstilles, når produktet er tilsluttet bilen, og M eller L skal indstilles, når det er tilsluttet et transportabelt batteri eller et andet backupbatteri.

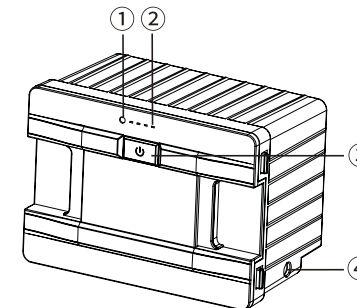
- **Indstilling af temperaturenhed:** Sluk køleboksen, tryk på i tre sekunder, indtil E1 vises, og skift derefter til E5 ved at trykke på igen. I E5-tilstand trykkes på **+** eller **-** for at vælge Celsius eller Fahrenheit. (*Fabriksindstillingen er °C.)
- **Nulstil:** Sluk køleboksen ved at trykke på i tre sekunder, indtil E1 vises. Tryk på **+-** E1-tilstand samtidigt i tre sekunder for at nulstille den.

ANBEFALEDE TEMPERATURER FOR ALMINDELIGE FØDEVARER:

Drikkevarer	Frugt	Grøntsager	Færdigretter	Vin	Is	Kød
5 °C	5~8 °C	3~10 °C	4 °C	10 °C	-10 °C	-18 °C

6. BATTERIDRIFT (BATTERI MEDFØLGER IKKE)

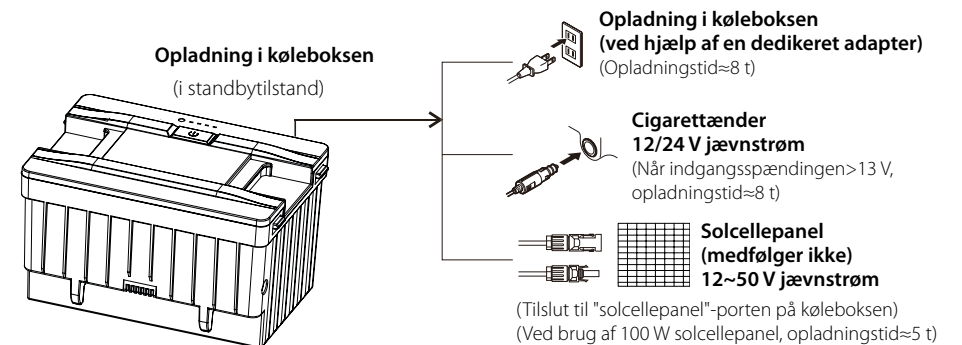
Batteri TIL/FRA: Et langt tryk på tænd/sluk-knappen tænder/slukker for batteriet. Når batteriet er slukket, vil et kort tryk på tænd/sluk-knappen vise, hvor meget batteristrom der er tilbage.



Model: Genopladeligt Arctic Frost-batteri (590202)/FSAK-002
 Kapacitet: 15.600 mAh/1 73 Wh Mærkespænding: 11,1 V
 Begrænset ladespænding (jævnstrøm): 12,6 V begrænset lade strøm (jævnstrøm): 3 A
 ① Strømindikator (grøn: oplader; blå: aflader)
 ② Batteriindikator (vis aktuelt batteri)
 ③ Tænd/sluk-knap ④ Jævnstrømsopladningsport

Advarsel: Skil ikke batteriet ad!

• **Batteriopladning (kun til reference):**



Bemærk: Det anbefales at slukke for køleboksen, når batteriet oplades (strømforsyningen kan hovedsageligt drive kompressoren, når køleboksen kører).

Hvis der tilsluttes et solcellepanel, skal køleboksen placeres et køligt sted for at aflede varme.

Opladningsindgangseffekten skal være højere end køleboksens driftseffekt (ca. 40-45 W), ellers skal køleskabet slukkes, da batteriet ellers løber tør for strøm.

Det anbefales at bruge 100 W solcellepanel.

MAKS. indgangsspænding for solcellepanel: SOV; MAKS. indgangsstrøm for solcellepanel: 10 A.

Bemærk: Solcellepanelets effekt er ustabil, så den kan ikke forsyne køleboksen direkte med strøm. Når der anvendes et solcellepanel, skal batteriet placeres i køleboksen.

- Afladningstid (kun til reference): I beskyttelsestilstand med lavt batteriniveau kan batteriet holde i ca. 4 timer efter fuld opladning. Når køleboksens temperatur er indstillet til mellem 2~8 °C (omgivelsestemperatur 25 °C), kan den holde 12 timer, efter at den indvendige temperatur stabiliseres. Fjern eller sluk for batteriet for at forhindre selvafladning, når det ikke er i brug.

7. VEDLIGEHOLDELSE

Rengøring:

- Sluk for apparatet, og tag stikket ud først for at undgå elektrisk stød.
- Rengør apparatet med en våd klud, og tør efter med en tør klud.
- Køleboksen må ikke lægges i blød i vand eller rengøres under rindende vand.
- Brug ikke slibende rengøringsmidler under rengøringen, da disse kan beskadige apparatet.

Opbevaring:

Hvis apparatet ikke skal bruges i længere tid, skal du følge disse anvisninger:

- Sluk for apparatet, og tag stikket ud.
- Tag alle de ting ud, der er i apparatet.
- Tør overskydende vand af med en blød klud.
- Anbring køleboksen et køligt og tørt sted.
- Lad låget stå lidt åbent for at forhindre, at der dannes lugte.
- Anbefalet opbevaringsmiljø: Omgivelsestemperatur: 25 °C, omgivende luftfugtighed: ≤ 75 %.

Afrimning:

- Fugt kan danne frost i køleenhedens indre eller på fordampere. Dette reducerer kølekapaciteten. Afrim enheden i god tid for at undgå dette.
- Sluk for apparatet, og tag stikket ud først for at undgå elektrisk stød.
- Tag alle de ting ud, der er i apparatet.
- Hold låget åbent.
- Tør det afrimede vand af.



Brug aldrig hårde eller spidse redskaber til at fjerne is eller til at frigøre genstande, der er frosset fast på enheden.

Udskiftning af sikringen til vekselstrømsstikket (220-240 V)

1. Tag kablet ud af stikkontakten og køleboksens opladningsport.
2. Lirk sikringsdækslet op med en lille flad skruetrækker i midten af kabelstikket. Udskift sikringen med en ny med samme effekt (BS 1362 13A).
3. Saml kabelstikket igen i omvendt rækkefølge.

Udskiftning af sikring til køleboks (15A)

1. Tag kablet ud af stikkontakten eller 12 V-stikket og køleboksens opladningsport.
2. Lirk sikringsdækslet op med en lille flad skruetrækker i køleboksens opladningsport. Udskift sikringen med en ny sikring med samme mærkeværdi (ATO almindelig fladsikring 15 A).
3. Saml opladningsporten igen i omvendt rækkefølge.

8. FEJLFINDING

Problemer	Årsag/forslag
Køleboks fungerer ikke	<ul style="list-style-type: none"> • Kontrollér, om kontakten er tændt. • Kontrollér, om stikket og stikkontakten er korrekt tilsluttet. • Kontrollér, om sikringen er sprunget. • Kontrollér, om der er fejl i strømforsyningen. • Hvis køleboksen tændes/slukkes hyppigt, kan det medføre startforsinkelser i kompressoren.
Køleboksrum er for varme	<ul style="list-style-type: none"> • Låget åbnes hyppigt. • En stor mængde varm mad blev opbevaret for nylig. • Køleboksen har været frakoblet i lang tid
Maden er frosset	<ul style="list-style-type: none"> • Temperaturen var indstillet for lav
Der er støj fra "vandflowet" inden i køleboksen	<ul style="list-style-type: none"> • Det er et normalt fænomen, der skyldes flowet af kølemidler.
Der er vanddråber rundt om køleboksens kabinet eller lågmellemrummet	<ul style="list-style-type: none"> • Det er et normalt fænomen, og fugten kondenserer til vand, når den rører en kold overflade på køleboksen.
Kompressoren støjer en smule ved start	<ul style="list-style-type: none"> • Det er et normalt fænomen, og støjen vil blive reduceret, når kompressoren kører stabilt.
Kode F1 vises	<ul style="list-style-type: none"> • Mulig årsag: Lav spænding til køleboks. Juster batteribeskyttelsen fra Høj til Medium eller fra Medium til Lav.
Kode F2 vises	<ul style="list-style-type: none"> • Mulig årsag: Kondensatorventilatoren er overbelastet. Afbryd strømmen til køleboksen i 5 minutter, og genstart. Kontakt producenten for at få den eftersat, hvis koden vises igen.
Kode F3 vises	<ul style="list-style-type: none"> • Mulig årsag: Kompressoren starter for ofte. Afbryd strømmen til køleboksen i 5 minutter, og genstart. Hvis koden vises igen, skal du kontakte producenten med henblik på eftersyn.
Kode F4 vises	<ul style="list-style-type: none"> • Mulig årsag: Kompressoren starter ikke. Afbryd strømmen til køleboksen i 5 minutter, og genstart. Hvis koden vises igen, skal du kontakte producenten med henblik på eftersyn.
Kode F5 vises	<ul style="list-style-type: none"> • Mulig årsag: Overophedning af kompressor og elektronik. Afbryd strømmen til køleboksen i 5 minutter, og genstart. Hvis koden vises igen, kontaktes producenten med henblik på eftersyn.
Kode F6 vises	<ul style="list-style-type: none"> • Mulig årsag: Kontrollementet kan ikke registrere nogen parametre. Afbryd strømmen til køleboksen i 5 minutter, og genstart. Hvis koden vises igen, kontaktes producenten med henblik på eftersyn.
Kode F7 eller F8 vises	<ul style="list-style-type: none"> • Mulig årsag: Temperatursensoren er defekt. Kontakt producenten med henblik på eftersyn.

*På modeller med udtageligt FSAK-002-batteri: Hvis koden F1 vises, skal batteriet frakobles eller slukkes, eller der skal sluttes til en strømforsyning med 12/24 V jævnstrøm/100-240 V vekselstrøm (ved hjælp af adapteren) for at strømforsyne kompressoren og batteriet i tide for at undgå, at langtidsvirkende mikrostrøm aflader batteriet.

9. GARANTI

Den lovpligtige garantiperiode gælder. Hvis produktet er defekt, skal du kontakte producenten (se bagsiden af brugervejledningen) eller din forhandler.

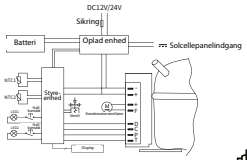
Vi bestræber os på at have reservedele til rådighed i op til 10 år.

Du kan finde flere oplysninger på www.outwell.com

Ved reparation og garantibehandling bedes du vedlægge følgende dokumenter, når du indsender enheden:

- Kopi af kvittering med købsdato
- Årsag til reklamation eller beskrivelse af fejlen.

10. TEKNISKE OPlysNINGER

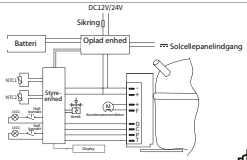


Outwell
explore the outdoors

Model	Arctic Frost 35 590197 / TWW35
Klimakategori	T, ST, N, SN
Nominal spænding vekselstrøm (adapter)	100V - 240V 50-60Hz
Nominal spænding jævnstrøm	12V/24V
Nominal strømstyrke for vekselstrøm (adapter)	1,2A - 0,5A
Nominal strømstyrke for jævnstrøm	5,0A(12V) / 2,5A(24V)
Beskyttelsesklassificering for elektrisk stødmønstre	□
Kølemiddel	R134a (40 g)
Skummiddel	C ₃ H ₁₀
Indvendig volumen	38,8 l

MADE IN CHINA

Oase Outdoors ApS
EU: Kornvej 9, DK-7323 Give, Denmark. UK: One Glass Wharf, Bristol, BS2 0ZX

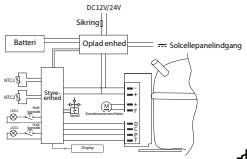


Outwell
explore the outdoors

Model	Arctic Frost 45 590199 / TWW45
Klimakategori	T, ST, N, SN
Nominal spænding vekselstrøm (adapter)	100V - 240V 50-60Hz
Nominal spænding jævnstrøm	12V/24V
Nominal strømstyrke for vekselstrøm (adapter)	1,2A - 0,5A
Nominal strømstyrke for jævnstrøm	5,0A(12V) / 2,5A(24V)
Beskyttelsesklassificering for elektrisk stødmønstre	□
Kølemiddel	R134a (40 g)
Skummiddel	C ₃ H ₁₀
Indvendig volumen	48,3 l

MADE IN CHINA

Oase Outdoors ApS
EU: Kornvej 9, DK-7323 Give, Denmark. UK: One Glass Wharf, Bristol, BS2 0ZX



Outwell
explore the outdoors

Model	Arctic Frost 55 590201 / TWW55
Klimakategori	T, ST, N, SN
Nominal spænding vekselstrøm (adapter)	100V - 240V 50-60Hz
Nominal spænding jævnstrøm	12V/24V
Nominal strømstyrke for vekselstrøm (adapter)	1,2A - 0,5A
Nominal strømstyrke for jævnstrøm	5,0A(12V) / 2,5A(24V)
Beskyttelsesklassificering for elektrisk stødmønstre	□
Kølemiddel	R134a (40 g)
Skummiddel	C ₃ H ₁₀
Indvendig volumen	57,7 l

MADE IN CHINA

Oase Outdoors ApS
EU: Kornvej 9, DK-7323 Give, Denmark. UK: One Glass Wharf, Bristol, BS2 0ZX

INDEX

1. CONSIGNES DE SÉCURITÉ PAGE 32

2. CARACTÉRISTIQUES DU PRODUIT PAGE 33

3. STRUCTURE DU PRODUIT PAGE 33

4. CHANGER LE SENS D'OUVERTURE DE LA PORTE PAGE 34

5. FONCTION ET FONCTIONNEMENT PAGE 35

6. FONCTIONNEMENT SUR BATTERIE (NON INCLUS) PAGE 36

7. ENTRETIEN ET MAINTENANCE PAGE 37

8. DÉPANNAGE PAGE 38

9. GARANTIE PAGE 39

10. INFORMATIONS TECHNIQUES PAGE 39

FR : MODE D'EMPLOI

Veillez lire attentivement ce mode d'emploi avant de démarrer l'appareil. Conservez-le en lieu sûr pour toute consultation ultérieure.



1. CONSIGNES DE SÉCURITÉ

ATTENTION :

- N'utilisez pas l'appareil s'il semble endommagé.
- Ne bloquez pas les fentes de la glacière avec des objets tels que des épingles, du fil, etc.
- N'exposez pas l'appareil à la pluie et ne le faites pas tremper dans l'eau.
- Ne placez pas l'appareil à proximité de flammes nues ou d'autres sources de chaleur (chauffage, lumière directe du soleil, fours à gaz, etc.)
- Ne stockez pas de substances explosives telles que des bombes aérosols avec un gaz propulseur inflammable.
- Assurez-vous que le cordon d'alimentation est sec et qu'il n'est pas coincé ou endommagé. Ne placez pas plusieurs prises de courant ou alimentations portables à l'arrière de l'appareil.
- Vérifiez que la tension indiquée sur la plaque signalétique correspond à celle de l'alimentation en énergie. L'appareil doit uniquement être utilisé avec le bloc d'alimentation fourni.
- N'utilisez pas d'appareils électriques à l'intérieur des compartiments de stockage des aliments de l'appareil, sauf s'ils sont du type recommandé par le fabricant.
- Une fois déballé et avant la mise sous tension, l'appareil doit être placé sur une surface plane pendant plus de 6 heures.
- Assurez-vous que l'appareil reste à l'horizontale pendant son fonctionnement. L'angle d'inclinaison doit être inférieur à 5° pour les longues durées d'utilisation et inférieur à 45° pendant les courtes durées.
- Veillez à ce que les orifices de ventilation du boîtier de l'appareil ou de la structure encastrée ne soient pas obstrués.
(Autour du compresseur ≥ 100 mm).
- Gardez l'appareil stable sur le sol ou dans la voiture. Ne le renversez pas pour le vider.



AVERTISSEMENT :

- Les réparations doivent uniquement être effectuées par du personnel qualifié. Une réparation incorrecte peut entraîner un danger. La lampe et le cordon d'alimentation doivent être remplacés par le fabricant ou des personnes qualifiées.
- Les enfants âgés de 3 à 8 ans sont *uniquement* autorisés à charger et décharger des appareils de réfrigération.
- Les enfants ne doivent pas jouer avec l'appareil.
- Le nettoyage et l'entretien ne doivent pas être effectués par des enfants sans surveillance.
- L'appareil peut être utilisé par des enfants à partir de 8 ans et par des personnes ayant des capacités physiques, sensorielles ou mentales réduites ou manquant d'expérience et de connaissances si elles sont assistées ou si elles ont reçu des instructions concernant l'utilisation de l'appareil en toute sécurité et si elles en ont compris les dangers.



REMARQUE :

- Débranchez l'alimentation électrique avant chaque nettoyage et maintenance et après chaque utilisation.
- N'utilisez pas d'outils pointus pour le dégivrage. N'endommagez pas le circuit de réfrigérant.
- Vérifiez si la capacité de refroidissement de l'appareil est adaptée au stockage des aliments ou des médicaments.
- Les aliments doivent toujours être stockés dans leur emballage d'origine ou dans des récipients appropriés.
- Si l'appareil reste vide pendant de longues périodes, éteignez-le, dégivrez-le, nettoyez-le, séchez-le et laissez le couvercle ouvert pour éviter la formation de moisissure à l'intérieur de l'appareil.
- La glacière contient un gaz inflammable dans le compresseur.
- L'appareil est conçu pour le camping de loisirs.



FR : MODE D'EMPLOI

SI VOUS SOUHAITEZ METTRE DÉFINITIVEMENT L'APPAREIL AU REBUS

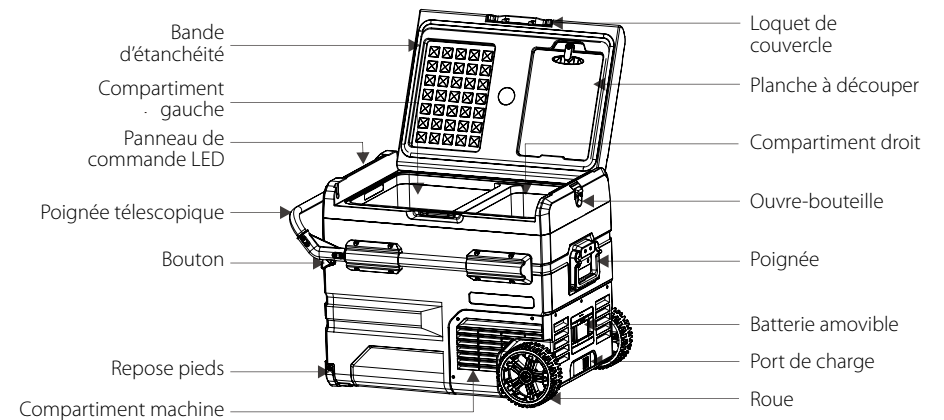
1. Retirez les câbles, le couvercle, les supports d'attache du corps au compresseur et mettez-les au rebut conformément aux réglementations locales. Consultez le centre de recyclage local pour plus de détails sur la façon de procéder, conformément aux réglementations applicables en matière d'élimination.
2. Dans la mesure du possible, déposez les matériaux d'emballage dans des poubelles de recyclage appropriées.



2. CARACTÉRISTIQUES DU PRODUIT

- Compresseur CC à haut rendement et module de conversion.
- Sans CFC et excellente isolation thermique.
- Refroidissement le plus bas à $-20^{\circ}\text{C}/-4^{\circ}\text{F}$ (basé sur une température ambiante de $25^{\circ}\text{C}/77^{\circ}\text{F}$).
- Le système intelligent de protection de la batterie empêche votre véhicule de tomber en panne de batterie.
- Panneau de commande à affichage LED pour le réglage de la température, port de charge USB : SV/1A.
- Batterie lithium amovible : 15600mAh/11.1V.
- Pièces spécifiques : bouchon de vidange intérieur, roues surdimensionnées, poignée télescopique, porte-gobelets (dans le couvercle), éclairage intérieur LED, planche à découper et décapsuleur.

3. STRUCTURE DU PRODUIT

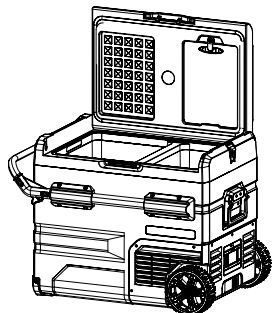


Remarque: Des boutons se trouvent des deux côtés de la poignée télescopique. Appuyez simultanément sur ces boutons pour tirer la poignée. La planche à découper peut être déplacée en tournant le bouton sur le capot supérieur. Nettoyez et séchez la planche à découper après chaque utilisation.

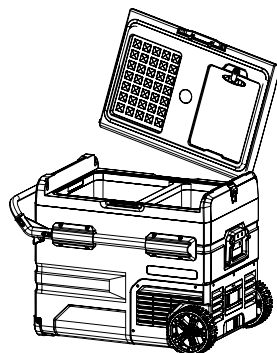
4. CHANGER LE SENS D'OUVERTURE DU COUVERCLE

Le sens d'ouverture du couvercle peut être modifié en fonction des besoins effectifs. Veuillez suivre les instructions ci-dessous :

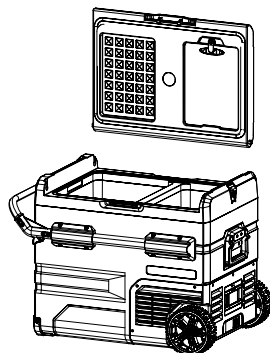
DÉMONTAGE DU COUVERCLE :



Ouvrez le couvercle à un angle de 90°

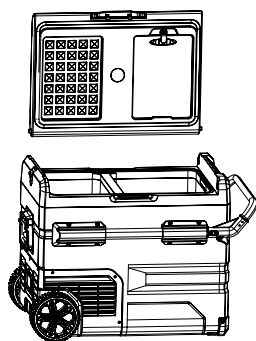


Retirez le couvercle d'un côté

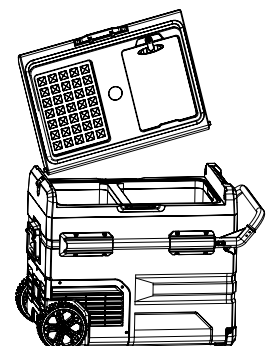


Retirez le couvercle de l'autre côté

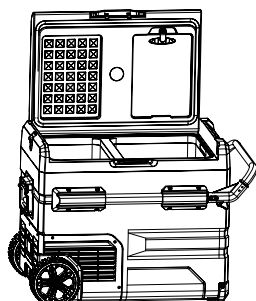
INSTALLATION DU COUVERCLE :



Changez le sens d'ouverture du couvercle

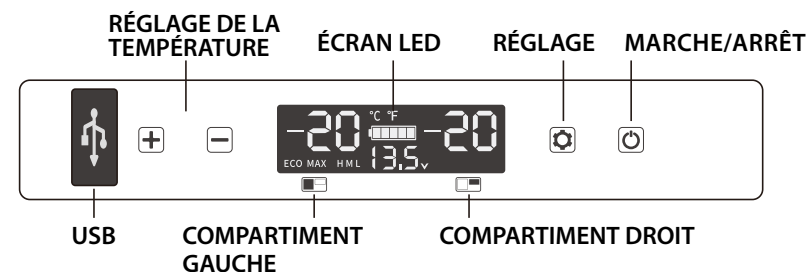


Alignez la tige du couvercle avec le trou d'un côté et insérez-la



Fixez le couvercle de l'autre côté, installation terminée

5. FONCTIONS ET FONCTIONNEMENT



* Remarque : le compartiment droit se trouve du côté du compresseur.




- **Alimentation électrique :** Connexion à 12 V CC/24 V ou 100~240 V CA (à l'aide d'un adaptateur dédié)
- **Initialisation de l'écran d'affichage :** Lorsque la glacière est allumée, l'avertisseur sonore émet un long bip et l'affichage reste allumé pendant deux secondes, puis passe en mode veille.
- **Marche/Arrêt :** Appuyez sur pour allumer, appuyez **longuement** sur pendant trois secondes pour éteindre.
- **Réglage de la température :** En mode de fonctionnement, appuyez longuement et simultanément sur **+** et sur pendant trois secondes pour allumer/éteindre le compartiment gauche, appuyez longuement et simultanément sur **-** et sur pendant trois secondes pour allumer/éteindre le compartiment droit. Deux compartiments ne peuvent pas être éteints en même temps. Lorsque les compartiments gauche et droit sont tous deux en mode de fonctionnement, appuyez sur **+** ou **-** pour entrer le réglage de la température du compartiment gauche, appuyez sur **+** pour augmenter la température, appuyez sur **-** pour diminuer la température et appuyez sur pour basculer entre le compartiment gauche et le compartiment droit. Le réglage sera sauvegardé après un arrêt de fonctionnement de quatre secondes (remarque : la température affichée est la température actuelle des compartiments, il faudra un certain temps pour atteindre la température définie)
Plage de réglage de la température : -20~20 °C (-4~68 °F)
- **Mode refroidissement :** En mode de fonctionnement, appuyez sur pour passer en mode MAX (refroidissement rapide) et ECO (mode économie d'énergie). (*Le réglage d'usine est MAX.)
- **Mode de protection de la batterie :** en mode de fonctionnement, appuyez longuement sur pendant trois secondes jusqu'à ce que l'écran clignote, puis appuyez à nouveau sur pour sélectionner le mode de protection H (élevé), M (moyen) et L (faible).
(*Le réglage d'usine est H).

RÉFÉRENCE DE TENSION :








MODE	ENTRÉE	12 V CC		24 V CC	
		COUPER	ENCLENCHER	COUPER	ENCLENCHER
L		8,5V	10,9V	21,3V	22,7V
M		10,1V	11,4V	22,3V	23,7V
H		11,1V	12,4V	24,3V	25,7V

* la tension est une valeur théorique, il peut y avoir un écart dans différents scénarios.

* H doit être sélectionné lorsque le produit est branché sur l'alimentation de la voiture et M ou L doit être sélectionné lorsqu'il est branché sur une batterie portable ou une autre batterie de secours.

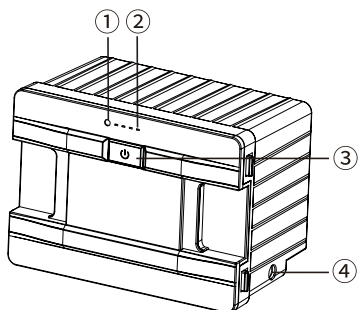
- **Réglage de l'unité de température :** éteignez la glacière, appuyez longuement sur  pendant trois secondes jusqu'à ce que E1 s'affiche, puis passez à E5 en appuyant à nouveau sur . En mode E5, appuyez sur **+** ou sur **-** pour sélectionner Celsius ou Fahrenheit. (*Le réglage d'usine est °C.)
- **Réinitialisation :** Éteignez la glacière, appuyez longuement sur  pendant trois secondes jusqu'à ce que E1 s'affiche. En mode E1, appuyez longuement et simultanément sur **+-** pendant trois secondes pour la réinitialiser.

TEMPÉRATURES RECOMMANDÉES POUR LES ALIMENTS COURANTS :

						
Boissons	Fruits	Légumes	Plats préparés	Vins	Crème glacée	Viande
5°C/41°F	5~8°C/41~46°F	3~10°C/37~50°F	4°C/39°F	10°C/50°F	-10°C/14°F	-18°C/0°F

6. FONCTIONNEMENT SUR *BATTERIE (*NON INCLUS)

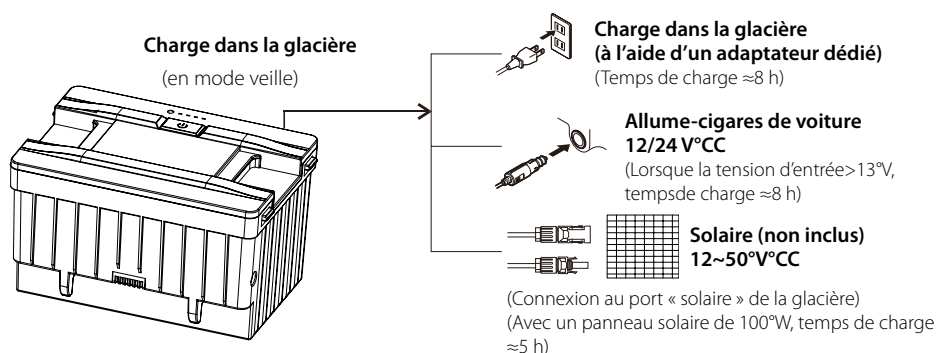
Marche/Arrêt batterie : Appuyez longuement sur le bouton d'alimentation pour allumer/éteindre la batterie. Lorsque la batterie est éteinte, une brève pression sur le bouton d'alimentation indique la charge restante de la batterie.



Modèle : Batterie rechargeable Arctic Frost (590202) / FSAK-002
 Capacité : 15 600mAh/1 733Wh Tension nominale : 11,1V
 Tension de charge limitée (CC) : 12,6V Courant de charge limité (CC) : 3 A
 ① Indicateur d'alimentation (Vert : en charge ; Bleu : en décharge)
 ② Indicateur de batterie (montre le niveau de batterie actuel)
 ③ Bouton d'alimentation ④ Port de charge CC

Attention : ne démontez pas la batterie !

- **Charge de la batterie (pour référence uniquement) :**



Remarque : Lors du chargement de la batterie, il est recommandé d'éteindre la glacière (l'alimentation électrique peut alimenter principalement le compresseur lorsque la glacière est allumée). En cas de raccordement à un panneau solaire, veuillez placer la glacière dans un endroit frais pour dissiper la chaleur. La puissance d'entrée de charge doit être supérieure à la puissance de travail de la glacière (env. 40-45 W). Dans le cas contraire, éteignez le réfrigérateur ou la batterie va se décharger.

Il est recommandé d'utiliser un panneau solaire de 100 W.

Tension d'entrée solaire MAX : SOV ; courant d'entrée solaire MAX : 10A.

Remarque : la puissance du panneau solaire est variable et ne peut donc pas alimenter directement la glacière. Si vous utilisez un panneau solaire, placez la batterie dans la glacière.

- Temps de décharge (pour référence uniquement) : En mode de protection batterie faible, la batterie peut durer environ 4 heures après avoir été complètement chargée. Lorsque la température de la glacière est réglée entre 2~8 °C (température extérieure 25 °C), elle peut durer 12 heures une fois la température interne stabilisée. Retirez ou éteignez la batterie pour éviter qu'elle ne se décharge lorsqu'elle n'est pas utilisée.

7. ENTRETIEN ET MAINTENANCE

Nettoyage :

- Éteignez et débranchez d'abord l'appareil pour éviter une électrocution.
- Utilisez un chiffon humide pour nettoyer l'appareil, puis essuyez-le avec un chiffon sec.
- Ne trempez pas la glacière dans l'eau et ne la nettoyez pas sous l'eau courante.
- N'utilisez pas de produits de nettoyage abrasifs pendant le nettoyage, car ils peuvent endommager l'appareil.

Stockage :

Si l'appareil n'est pas utilisé pendant une longue période, veuillez suivre les instructions suivantes :

- Éteignez et débranchez l'appareil.
- Retirez tous les objets stockés dans l'appareil.
- Essuyez l'excès d'eau à l'aide d'un chiffon doux.
- Placez la glacière dans un endroit frais et sec.
- Laissez le couvercle légèrement ouvert pour éviter la formation d'odeurs.
- Environnement de stockage recommandé : Température ambiante : 25 °C, humidité ambiante : ≤ 75 %.

Dégivrage :

- L'humidité peut former du givre à l'intérieur de l'appareil de refroidissement ou sur l'évaporateur. Cela réduit la capacité de refroidissement. Dégivrez l'appareil en temps utile pour éviter cela.
- Éteignez et débranchez d'abord l'appareil pour éviter une électrocution.
- Retirez tous les objets stockés dans l'appareil.
- Gardez le couvercle ouvert.
- Essuyez l'eau dégelée.



N'utilisez jamais d'outils durs ou pointus pour retirer la glace ou pour libérer des objets gelés sur l'appareil.

Remplacement du fusible de la prise CA (220-240 V)

1. Débranchez le câble de la prise secteur et du port de charge de la glacière.
2. Ouvrez le couvercle du fusible à l'aide d'un petit tournevis plat au centre de la fiche du câble. Remplacez le fusible par un fusible neuf de même calibre (BS 1362 13 A).
3. Remontez la fiche du câble dans l'ordre inverse.

Remplacement du fusible de la glacière (15 A)

1. Débranchez le câble du secteur ou de la prise 12 V et du port de charge de la glacière.
2. Ouvrez le couvercle du fusible à l'aide d'un petit tournevis plat dans le port de charge de la glacière. Remplacez le fusible par un fusible neuf de même calibre (fusible plat ATO 15 A).
3. Remontez le port de charge dans l'ordre inverse.

8. DÉPANNAGE

Problèmes	Cause/Suggestions
La glacière ne fonctionne pas	<ul style="list-style-type: none"> Vérifiez si le contacteur est en position ON. Vérifiez que la fiche et la prise sont correctement branchées. Vérifiez si le fusible a grillé. Vérifiez si l'alimentation électrique est défectueuse. Un démarrage/arrêt fréquent de la glacière peut entraîner un retard du démarrage du compresseur.
Les compartiments de la glacière sont trop chauds	<ul style="list-style-type: none"> Le couvercle est souvent ouvert. Une grande quantité d'aliments tièdes ou chauds y ont été mis récemment. La glacière est restée déconnectée depuis longtemps.
Les aliments sont congelés	<ul style="list-style-type: none"> La température a été réglée trop bas.
Un bruit « d'eau qui coule » provient de l'intérieur de la glacière	<ul style="list-style-type: none"> Il s'agit d'un phénomène normal causé par le flux de réfrigérant.
Des gouttes d'eau se forment autour du boîtier de la glacière ou de la fente du couvercle	<ul style="list-style-type: none"> Il s'agit d'un phénomène normal, l'humidité se condense en eau lorsqu'elle touche une surface froide de la glacière.
Le compresseur est légèrement bruyant au démarrage	<ul style="list-style-type: none"> Il s'agit d'un phénomène normal, le bruit sera réduit une fois que le compresseur fonctionnera de manière stable.
Code F1 affiché	<ul style="list-style-type: none"> Cause possible : basse tension vers la glacière. Réglez la protection de la batterie de Élevée (H) à Moyenne (M) ou de Moyenne (H) à Faible (L).
Code F2 affiché	<ul style="list-style-type: none"> Cause possible : le ventilateur du condenseur est surchargé. Débranchez l'alimentation de la glacière pendant 5 minutes et redémarrez. Si le code réapparaît, contactez le fabricant pour une révision.
Code F3 affiché	<ul style="list-style-type: none"> Cause possible : le compresseur démarre trop souvent. Débranchez l'alimentation de la glacière pendant 5 minutes et redémarrez. Si le code réapparaît, contactez le fabricant pour une révision.
Code F4 affiché	<ul style="list-style-type: none"> Cause possible : le compresseur ne démarre pas. Débranchez l'alimentation de la glacière pendant 5 minutes et redémarrez. Si le code réapparaît, contactez le fabricant pour une révision.
Code F5 affiché	<ul style="list-style-type: none"> Cause possible : surchauffe du compresseur et des composants électroniques. Débranchez l'alimentation de la glacière pendant 5 minutes et redémarrez. Si le code réapparaît, contactez le fabricant pour une révision.
Code F6 affiché	<ul style="list-style-type: none"> Cause possible : aucun paramètre ne peut être détecté par le régulateur. Débranchez l'alimentation de la glacière pendant 5 minutes et redémarrez. Si le code s'affiche à nouveau, contactez le fabricant pour une révision.
Code F7 ou F8 affiché	<ul style="list-style-type: none"> Cause possible : le capteur de température est défectueux. Contactez le fabricant pour une révision.

*Pour les modèles avec batterie amovible FSAK-002, si le code F1 s'affiche, débranchez ou éteignez la batterie, ou connectez à une alimentation 12/24 V CC/100-240 V CA (à l'aide de l'adaptateur) pour alimenter le compresseur et la batterie afin d'éviter une décharge de micro-courant à long terme de la batterie.

9. GARANTIE

La période de garantie légale s'applique.

Si le produit est défectueux, veuillez contacter le fabricant (voir au dos du mode d'emploi) ou votre revendeur.

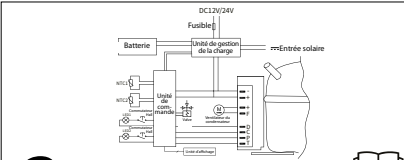
Nous nous efforçons d'avoir des pièces de rechange disponibles jusqu'à 10 ans.

Pour plus d'informations, rendez-vous sur www.outwell.com

Pour le traitement de la réparation et de la garantie, veuillez joindre les documents suivants lors de l'envoi de l'appareil :

- Une copie du reçu avec la date d'achat
- Un motif de réclamation ou une description du défaut.

10. INFORMATIONS TECHNIQUES

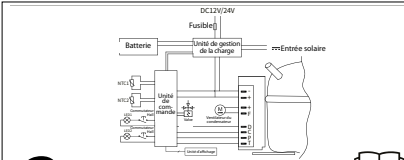


Outwell
explore the outdoors

Modèle	Arctic Frost 35 590197 / TWW35
Catégorie climatique	T, ST, N, SN
Tension nominale CA (Adaptateur)	100V - 240V 50-60Hz
Tension nominale	12V/24V
Courant nominal pour CA (Adaptateur)	1,2A - 0,5A
Courant nominal pour CC	5,0A(12V) / 2,5A(24V)
Classification de protection contre les électrocutions	
Réfrigérant	R134a (40 g)
Mousse vésiculeuse	C ₂ H ₁₀
Volume intérieur	38,8 l

MADE IN CHINA

Oase Outdoors ApS
EU: Kornvej 9, DK-7323 Give, Denmark. UK: One Glass Wharf, Bristol, BS2 0ZX

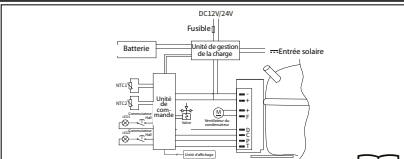


Outwell
explore the outdoors

Modèle	Arctic Frost 45 590199 / TWW45
Catégorie climatique	T, ST, N, SN
Tension nominale CA (Adaptateur)	100V - 240V 50-60Hz
Tension nominale	12V/24V
Courant nominal pour CA (Adaptateur)	1,2A - 0,5A
Courant nominal pour CC	5,0A(12V) / 2,5A(24V)
Classification de protection contre les électrocutions	
Réfrigérant	R134a (40 g)
Mousse vésiculeuse	C ₂ H ₁₀
Volume intérieur	48,3 l

MADE IN CHINA

Oase Outdoors ApS
EU: Kornvej 9, DK-7323 Give, Denmark. UK: One Glass Wharf, Bristol, BS2 0ZX



Outwell
explore the outdoors

Modèle	Arctic Frost 55 590201 / TWW55
Catégorie climatique	T, ST, N, SN
Tension nominale CA (Adaptateur)	100V - 240V 50-60Hz
Tension nominale	12V/24V
Courant nominal pour CA (Adaptateur)	1,2A - 0,5A
Courant nominal pour CC	5,0A(12V) / 2,5A(24V)
Classification de protection contre les électrocutions	
Réfrigérant	R134a (40 g)
Mousse vésiculeuse	C ₂ H ₁₀
Volume intérieur	57,7 l

MADE IN CHINA

Oase Outdoors ApS
EU: Kornvej 9, DK-7323 Give, Denmark. UK: One Glass Wharf, Bristol, BS2 0ZX

INDEX

1. VEILIGHEIDSINSTRUCTIES	PAGINA	41
2. PRODUCTKENMERKEN	PAGINA	42
3. PRODUCTOPBOUW	PAGINA	42
4. OPENINGSRICHTING DEKSEL AANPASSEN	PAGINA	43
5. FUNCTIES EN BEDIENING	PAGINA	44
6. ACCUFUNCTIE (NIET INBEGREPEN)	PAGINA	45
7. ONDERHOUD.....	PAGINA	46
8. PROBLEEMOPLOSSING	PAGINA	47
9. GARANTIE	PAGINA	48
10. TECHNISCHE INFORMATIE.....	PAGINA	48

Lees deze gebruiksaanwijzing zorgvuldig door voordat u het apparaat in gebruik neemt. Bewaar het op een veilige plaats voor toekomstig gebruik.



1. VEILIGHEIDSINSTRUCTIES

WAARSCHUWING!

- Gebruik het apparaat niet als het zichtbaar beschadigd is.
- Blokkeer de openingen van de koelbox niet met bijvoorbeeld spelden, draad, enz.
- Stel het apparaat niet bloot aan regen en dompel het niet onder in water.
- Plaats het apparaat niet in de buurt van open vuur of andere warmtebronnen (verwarming, direct zonlicht, gasovens, enz.).
- Bewaar geen explosieve stoffen in het apparaat zoals spuitbussen met een ontvlambaar drijfgas.
- Zorg ervoor dat de voedingskabel droog is en niet bekneld wordt of beschadigd is. Plaats geen meerdere draagbare stopcontacten of draagbare stroomvoorzieningen aan de achterkant van het apparaat.
- Controleer of de spanningsspecificatie op het typeplaatje overeenkomt met die van de energievoorziening. Het apparaat mag alleen worden gebruikt met de voedingseenheid die bij het apparaat is geleverd.
- Gebruik geen elektrische apparaten in de voedselopbergvakken van het apparaat, tenzij ze van het type zijn dat door de fabrikant wordt aanbevolen.
- Als het apparaat is uitgepakt, moet het meer dan 6 uur op een vlakke ondergrond worden geplaatst, voordat het wordt ingeschakeld.
- Zorg ervoor dat het apparaat horizontaal blijft wanneer het in bedrijf is. De kantelhoek moet minder dan 5° bedragen bij langdurig gebruik en minder dan 45° bij kortlopend gebruik.
- Houd de ventilatieopeningen in de apparaatbehuizing of inbouwconstructie vrij van obstakels. (Rond de compressor ≥ 100 mm).
- Houd het apparaat stabiel op de grond of in de auto; niet ondersteboven laten leeglopen.



LET OP!

- Reparaties mogen alleen worden uitgevoerd door gekwalificeerde personen. Onjuiste reparatie kan gevaar opleveren. De lamp en voedingskabel mogen alleen worden vervangen door de fabrikant of gekwalificeerde personen.
- Het is kinderen van 3-8 jaar *alleen* toegestaan om koelapparaten in- en uit te laden.
- Kinderen mogen niet met het apparaat spelen
- Reiniging en gebruikersonderhoud mogen niet door kinderen zonder toezicht worden uitgevoerd
- Het apparaat kan worden gebruikt door kinderen vanaf 8 jaar en personen met beperkte lichamelijke, zintuiglijke of geestelijke vermogens of gebrek aan ervaring en kennis, indien zij onder toezicht staan of instructies hebben gekregen over het veilige gebruik van het apparaat en de gevaren begrijpen.



OPMERKING!

- Schakel de stroomtoevoer uit vóór elke reiniging en onderhoud en na elk gebruik.
 - Gebruik geen scherp gereedschap om te ontdooien; beschadig het koelcircuit niet.
 - Controleer of de koelcapaciteit van het apparaat geschikt is voor het bewaren van levensmiddelen of medicijnen.
 - Levensmiddelen mogen alleen in de originele verpakking of geschikte containers worden bewaard.
 - Als het apparaat langere tijd leeg blijft, moet u het uitschakelen, ontdooien, reinigen en drogen, en het deksel open laten om te voorkomen dat zich schimmel vormt in het apparaat.
 - De koelbox bevat een compressor met ontvlambaar gas.
- Het apparaat is ontworpen voor recreatief kamperen.



ALS U HET APPARAAT DEFINITIEF WILT VERWIJDEREN

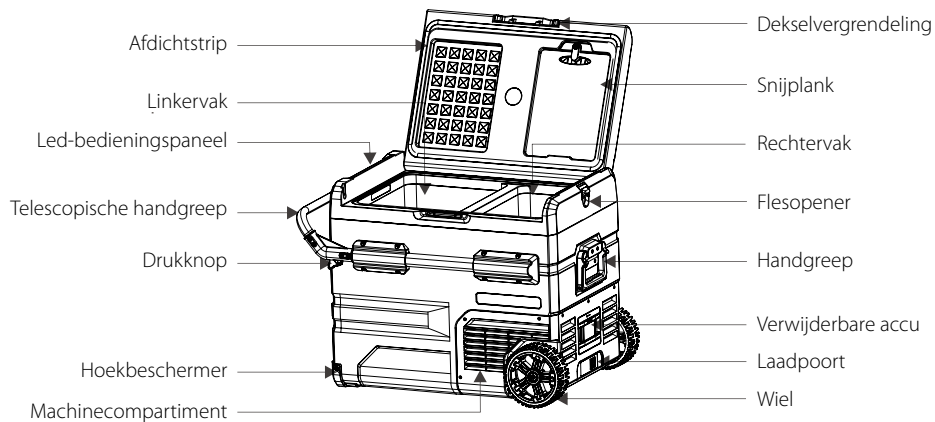
1. Verwijder de kabels, het deksel en de bevestigingsbeugels van de behuizing met de compressor en voer ze af volgens de plaatselijke voorschriften. Vraag uw plaatselijke recyclingcentrum naar details over hoe u dit kunt doen in overeenstemming met de geldende afvalverwijderingsvoorschriften.
2. Plaats het verpakkingsmateriaal waar mogelijk in de daarvoor bestemde afvalbakken.



2. PRODUCTKENMERKEN

- Hoogefficiënte DC-compressor en conversiemodule.
- CFK-vrij en uitstekende warmte-isolatie.
- Laagste koeling tot -20 °C/-4 °F (op basis van 25 °C/77 °F kamertemperatuur).
- Intelligent accubeschermingsysteem voorkomt dat de accu van uw auto leeg raakt.
- Bedieningspaneel met led-display voor temperatuurinstelling, USB-laadpoort: SV/IA.
- Afneembare lithiumaccu: 15600 mAh/11,1V.
- Specifieke onderdelen: interne aftapplug, extra grote wielen, telescopische handgreep, bekerhouders (in het deksel), interne led-verlichting, snijplank en flesopener.

3. PRODUCTOPBOUW

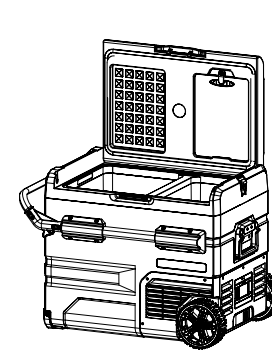


Nota bene: Aan beide zijden van de telescopische handgreep bevinden zich knoppen. Druk deze tegelijkertijd in om de handgreep uit te trekken. De snijplank kan uitgenomen worden door aan de knop op het deksel te draaien. Reinig en droog de snijplank na elk gebruik.

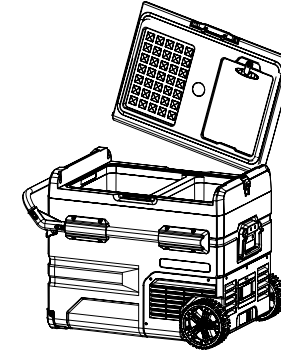
4. OPENINGSRICHTING DEKSEL AANPASSEN

De openingsrichting van het deksel kan naar behoefte worden aangepast. Volg daarvoor de onderstaande instructies:

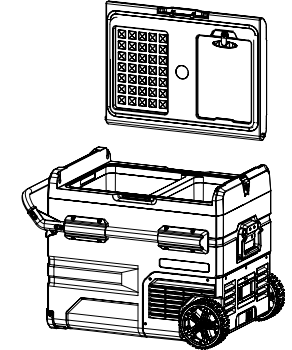
DEKSEL VERWIJDEREN:



Open het deksel in een hoek van 90°

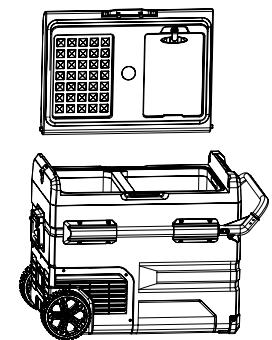


Maak het deksel aan één kant los

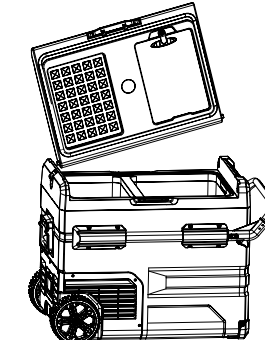


Maak het deksel aan de andere kant los

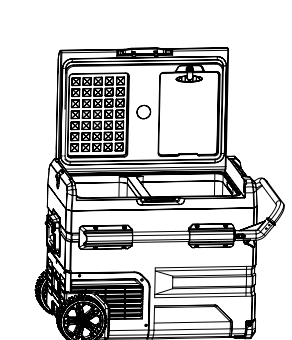
DEKSEL INSTALLEREN:



Keer openingsrichting van het deksel om

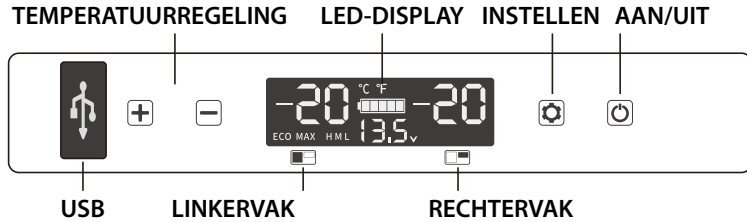


Lijn de schacht van het deksel uit met het gat aan één kant en plaats het daarin



Bevestig het deksel aan de andere kant. Installatie voltooid

5. FUNCTIES EN BEDIENING



* Nota bene: het rechtervak bevindt zich aan de kant van de compressor.

- **Stroomtoevoer:** Aansluiten op 12 V/24 V of AC 100~240 V AC (met speciale adapter)
- **Initialisatie scherm:** Wanneer de koelbox wordt ingeschakeld, zal de zoemer een lange pieptoon laten horen. Het scherm zal twee seconden aan zijn en vervolgens in de stand-bymodus gaan.
- **In-/uitschakelen:** Druk om IN te schakelen, drie seconden **ingedrukt** houden om UIT te schakelen.
- **Temperatuurstelling:** Terwijl het apparaat is ingeschakeld; **+** en tegelijkertijd drie seconden ingedrukt houden om het linkervak IN/UIT te schakelen. **-** en tegelijkertijd drie seconden ingedrukt houden om het rechtervak IN/UIT te schakelen. Beide vakken kunnen niet tegelijkertijd worden uitgeschakeld. Wanneer zowel het linker- als rechtervak ingeschakeld zijn; druk op **+** of **-** om de temperatuurinstelling voor het linkervak in te voeren, op **+** om de temperatuur te verhogen, op **-** om de temperatuur te verlagen en druk op om te schakelen tussen het linker- en het rechtervak. De instelling wordt opgeslagen nadat het apparaat vier seconden niet is gebruikt. (NB: de weergegeven temperatuur is de huidige temperatuur van de vakken. Het duurt even voordat de ingestelde temperatuur is bereikt.) Instelbereik temperatuur: -20~20 °C (-4~68 °F)
- **Koelmodus:** Wanneer het apparaat is ingeschakeld; druk op om naar MAX (snelle koeling) en ECO (energiebesparende modus) te schakelen. (* Fabrieksinstelling is MAX.)
- **Accubeschermingsmodus:** wanneer het apparaat is ingeschakeld; houd drie seconden lang ingedrukt totdat het scherm knippert. Druk dan weer op om de beschermingsmodus te selecteren: H (hoog), M (gemiddeld) en L (laag). (* Fabrieksinstelling is H).

SPANNINGSREFERENTIE:

MODUS \ INPUT	DC 12 V		DC 24 V	
	UITSCHAKELEN	INSCHAKELEN	UITSCHAKELEN	INSCHAKELEN
L	8,5 V	10,9 V	21,3 V	22,7 V
M	10,1 V	11,4 V	22,3 V	23,7 V
H	11,1 V	12,4 V	24,3 V	25,7 V

* de spanning is een theoretische waarde, er kan in verschillende omstandigheden een afwijking zijn.
 * H moet worden geselecteerd wanneer het product is aangesloten op de stroomvoorziening van de auto, en M of L moeten worden geselecteerd wanneer het is aangesloten op een draagbare accu of een andere reserveaccu.

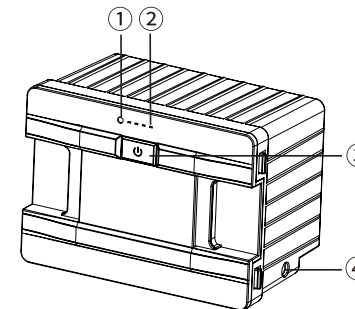
- **Temperatuureenheid instellen:** schakel de koelbox uit en houd drie seconden lang ingedrukt totdat E1 op het scherm verschijnt. Schakel vervolgens over naar E5 door nogmaals op te drukken. Wanneer in E5-modus: druk op **+** of **-** om Celsius of Fahrenheit te selecteren. (* Fabrieksinstelling is °C.)
- **Resetten:** Schakel de koelbox uit en houd drie seconden lang ingedrukt, totdat E1 op het scherm verschijnt. Houd in E1-modus **+-** tegelijkertijd drie seconden ingedrukt om de koelbox te resetten.

AANBEVOLEN TEMPERATUREN VOOR GEWONE LEVENSMIDDELEN:

Drank	Fruit	Groenten	Kant-en-klaar voedsel	Wijn	Ijs	Vlees
5 °C/41 °F	5~8 °C/41~46 °F	3~10 °C/37~50 °F	4 °C/39 °F	10 °C/50 °F	-10 °C/14 °F	-18 °C/0 °F

6. *ACCUFUNCTIE (*NIET INBEGREPEN)

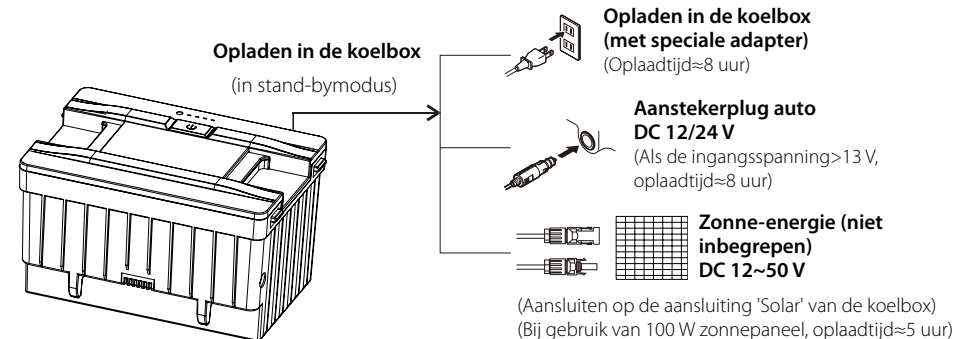
Accu AAN/UIT: Als u de aan/uit-knop ingedrukt houdt, wordt de accu in-/uitgeschakeld. Wanneer de accu UIT is, kunt u door de aan/uit-knop kort in te drukken, zien hoeveel accucapaciteit er nog over is.



Model: Arctic Frost oplaadbare accu (590202) / FSAK-002
 Capaciteit: 15600 mAh/173 Wh Nominale spanning: 11,1 V
 Beperkte laadspanning (DC): 12,6 V Beperkte laadstroom (DC): 3 A
 ① Stroomindicator (groen: opladen; blauw: ontladen)
 ② Accu-indicator (toont de huidige accu)
 ③ Aan/uit-knop ④ DC-laadpoort

Waarschuwing: haal de accu niet uit elkaar!

• **Accu wordt opgeladen (alleen ter referentie):**



Nota bene: Het wordt aanbevolen om de koelbox uit te schakelen wanneer de accu wordt opgeladen (de voeding zal voornamelijk de compressor van stroom voorzien wanneer de koelbox ingeschakeld is).

Wanneer de koelbox is aangesloten op een zonnepaneel, moet u de box op een koele plaats zetten om warmte af te voeren. Het laadvermogen moet hoger zijn dan het bedrijfsvermogen van de koelbox (ca. 40-45 W). Schakel in een ander geval de koelkast uit, anders raakt de accu leeg.

Het wordt aanbevolen om een zonnepaneel van 100 W te gebruiken.

MAX. ingangsspanning zonne-energie: SOV; MAX ingangsstroom zonne-energie: 10 A.

Nota bene: Het vermogen van het zonnepaneel is instabiel, waardoor het de koelbox niet direct van stroom kan voorzien. Bij gebruik van een zonnepaneel moet de accu in de koelbox worden geplaatst.

- Ontlaadtijd (alleen ter referentie): In de beschermingsmodus voor een bijna lege accu gaat de accu ongeveer 4 uur mee nadat deze volledig is opgeladen. Wanneer de temperatuur van de koelbox is ingesteld tussen 2~8 °C (omgevingstemperatuur 25 °C), kan de accu 12 uur meegaan nadat de interne temperatuur is gestabiliseerd. Verwijder of schakel de accu uit om zelfontlading te voorkomen wanneer de koelbox niet wordt gebruikt.

7. ONDERHOUD

Reinigen:

- Schakel het apparaat eerst uit en haal de stekker uit het stopcontact om elektrische schokken te voorkomen.
- Gebruik een natte doek om het apparaat te reinigen en veeg het vervolgens droog met een droge doek.
- Dompel de koelbox niet onder in water en reinig hem niet onder stromend water.
- Gebruik tijdens het reinigen geen schurende reinigingsmiddelen, omdat deze het apparaat kunnen beschadigen.

Opbergen:

Als het apparaat langere tijd niet wordt gebruikt, volg dan deze instructies:

- Schakel het apparaat uit en haal de stekker uit het stopcontact.
- Verwijder alle voorwerpen die in het apparaat zijn opgeslagen.
- Veeg overtollig water weg met een zachte doek.
- Zet de koelbox op een koele en droge plaats.
- Laat het deksel iets open staan om geurvorming te voorkomen.
- Aanbevolen omgeving voor opbergen: Omgevingstemperatuur: 25 °C, luchtvochtigheid omgeving: ≤ 75%.

Ontdooien:

- Vocht kan beveziging in de binnenkant van de koelbox of op de verdampers veroorzaken. Hierdoor neemt de koelcapaciteit af. Ontdooi het apparaat tijdig om dit te voorkomen.
- Schakel het apparaat eerst uit en haal de stekker uit het stopcontact om elektrische schokken te voorkomen.
- Verwijder alle voorwerpen die in het apparaat zijn opgeslagen.
- Houd het deksel open.
- Veeg het ontdooide water weg.



Gebruik nooit harde of puntige gereedschappen om ijs te of voorwerpen die op het apparaat zijn vastgevroren, te verwijderen.

De zekering van de AC-stekker vervangen (220-240 V)

1. Haal de kabel uit het stopcontact en uit de laadpoort van de koelbox.
2. Wrik het zekeringdeksel open met een kleine platte schroevendraaier in het midden van de kabelstekker. Vervang de zekering door een nieuwe met dezelfde stroomsterkte (BS 1362 13A).
3. Zet de kabelstekker in omgekeerde volgorde weer in elkaar.

Zekering koelbox vervangen (15A)

1. Haal de kabel uit het stopcontact of de 12V-aansluiting en uit de laadpoort van de koelbox.
2. Wrik het zekeringdeksel open met een kleine platte schroevendraaier in de laadpoort van de koelbox. Vervang de zekering door een nieuwe met dezelfde stroomsterkte (ATO gewone bladzekering 15A)
3. Zet de laadpoort in omgekeerde volgorde weer in elkaar.

8. PROBLEEMOPLOSSING

Probleem	Oorzaak/suggesties
Koelbox werkt niet	<ul style="list-style-type: none"> • Controleer of de schakelaar aan staat. • Controleer of de stekker en het stopcontact correct zijn aangesloten. • Controleer of de zekering is doorgebrand. • Controleer of de voeding defect is. • Het veelvuldig in- en uitschakelen van de koelbox kan leiden tot een startvertraging van de compressor.
De koelboxvakken zijn te warm	<ul style="list-style-type: none"> • Het deksel wordt vaak geopend. • Er is onlangs een grote hoeveelheid warm of heet voedsel in bewaard. • De koelbox is lange tijd losgekoppeld geweest
Voedsel is bevroren	<ul style="list-style-type: none"> • De temperatuur is te laag ingesteld
Er klinkt geluid van stromend water in de koelbox	<ul style="list-style-type: none"> • Het is een normaal verschijnsel, veroorzaakt door de doorstroming van koelmiddel.
Er zijn waterdruppels rond de behuizing van de koelbox of de opening in het deksel	<ul style="list-style-type: none"> • Dit is normaal. Vocht condenseert tot water wanneer het in aanraking komt met een koud oppervlak van de koelbox .
De compressor maakt een beetje lawaai bij het starten	<ul style="list-style-type: none"> • Dit is normaal. Het lawaai wordt vanzelf minder als de compressor stabiel draait.
Code F1 wordt weergegeven	<ul style="list-style-type: none"> • Mogelijke oorzaak: laagspanning naar de koelbox. Pas de accubeschermering aan van Hoog naar Middel of van Middel naar Laag.
Code F2 wordt weergegeven	<ul style="list-style-type: none"> • Mogelijke oorzaak: de condensorventilator is overbelast. Schakel de stroom naar de koelbox uit en schakel de koelbox na 5 minuten weer in. Neem contact op met de fabrikant voor onderhoud als de code opnieuw wordt weergegeven.
Code F3 wordt weergegeven	<ul style="list-style-type: none"> • Mogelijke oorzaak: de compressor start te vaak. Schakel de stroom naar de koelbox uit en schakel de koelbox na 5 minuten weer in. Neem contact op met de fabrikant voor onderhoud als de code opnieuw wordt weergegeven.
Code F4 wordt weergegeven	<ul style="list-style-type: none"> • Mogelijke oorzaak: compressor slaat niet aan. Schakel de stroom naar de koelbox uit en schakel de koelbox na 5 minuten weer in. Neem contact op met de fabrikant voor onderhoud als de code opnieuw wordt weergegeven.
Code F5 wordt weergegeven	<ul style="list-style-type: none"> • Mogelijke oorzaak: oververhitting van de compressor en elektronica. Schakel de stroom naar de koelbox uit en schakel de koelbox na 5 minuten weer in. Neem contact op met de fabrikant voor onderhoud als de code opnieuw wordt weergegeven.
Code F6 wordt weergegeven	<ul style="list-style-type: none"> • Mogelijke oorzaak: de regelaar kan geen parameter detecteren. Schakel de stroom naar de koelbox uit en schakel de koelbox na 5 minuten weer in. Neem contact op met de fabrikant voor onderhoud als de code opnieuw wordt weergegeven.
Code F7 of F8 wordt weergegeven	<ul style="list-style-type: none"> • Mogelijke oorzaak: temperatuursensor is defect. Neem contact op met de fabrikant voor onderhoud.

*Voor modellen met afneembare FSAK-002-accu: Als code F1 wordt weergegeven, haal dan de stekker uit het stopcontact of schakel de accu uit, of sluit de compressor en de accu tijdig aan op DC12/24V/AC100-240V (met behulp van de adapter) om te voorkomen dat de accu langdurig door microstroom wordt leeggezogen.

9. GARANTIE

De wettelijke garantietermijn is van toepassing.

Als het product defect is, neem dan contact op het fabrikant (zie achterkant van de gebruiksaanwijzing) of met uw detailhandelaar.

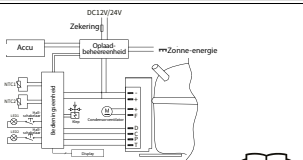
We streven ernaar om reserveonderdelen tot 10 jaar beschikbaar te houden.

Ga voor meer informatie naar www.outwell.com

Voeg voor de reparatie- en garantieafwikkeling de volgende documenten bij wanneer u het apparaat verzendt:

- Een kopie van het betaalbewijs met de aankoopdatum
- Een reden voor de claim of beschrijving van de fout.

10. TECHNISCHE INFORMATIE

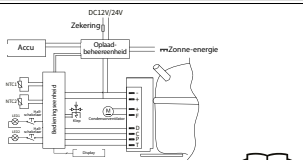


Outwell
explore the outdoors

Model	Arctic Frost 35 590197 / TWW35
Klimaatcategorie	T, ST, N, SN
Nominale spanning AC (adapter)	100V - 240V 50-60Hz
Nominale spanning DC	12V/24V
Nominale stroom voor AC (adapter)	1,2A - 0,5A
Nominale stroom voor DC	5,0A(12V) / 2,5A(24V)
Beschermingsclassificatie van de elektrische schokbestendigheid	<input type="checkbox"/>
Koelmiddel	R134a (40 g)
Schuimblaasmiddel	C ₃ H ₈
Binnenvolume	38,8 l

MADE IN CHINA

Oase Outdoors ApS
EU: Kornvej 9, DK-7323 Give, Denmark. UK: One Glass Wharf, Bristol, BS2 0ZX

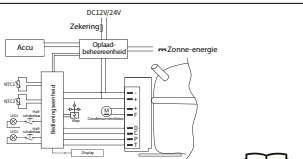


Outwell
explore the outdoors

Model	Arctic Frost 45 590199 / TWW45
Klimaatcategorie	T, ST, N, SN
Nominale spanning AC (adapter)	100V - 240V 50-60Hz
Nominale spanning DC	12V/24V
Nominale stroom voor AC (adapter)	1,2A - 0,5A
Nominale stroom voor DC	5,0A(12V) / 2,5A(24V)
Beschermingsclassificatie van de elektrische schokbestendigheid	<input type="checkbox"/>
Koelmiddel	R134a (40 g)
Schuimblaasmiddel	C ₃ H ₈
Binnenvolume	48,3 l

MADE IN CHINA

Oase Outdoors ApS
EU: Kornvej 9, DK-7323 Give, Denmark. UK: One Glass Wharf, Bristol, BS2 0ZX



Outwell
explore the outdoors

Model	Arctic Frost 55 590201 / TWW55
Klimaatcategorie	T, ST, N, SN
Nominale spanning AC (adapter)	100V - 240V 50-60Hz
Nominale spanning DC	12V/24V
Nominale stroom voor AC (adapter)	1,2A - 0,5A
Nominale stroom voor DC	5,0A(12V) / 2,5A(24V)
Beschermingsclassificatie van de elektrische schokbestendigheid	<input type="checkbox"/>
Koelmiddel	R134a (40 g)
Schuimblaasmiddel	C ₃ H ₈
Binnenvolume	57,7 l

MADE IN CHINA

Oase Outdoors ApS
EU: Kornvej 9, DK-7323 Give, Denmark. UK: One Glass Wharf, Bristol, BS2 0ZX

SEZNAM HESEL

1. BEZPEČNOSTNÍ POKYNY	STRANA 50
2. VLASTNOSTI VÝROBKU.....	STRANA 51
3. STRUKTURA VÝROBKU.....	STRANA 51
4. OBRÁCENÝ SMĚR OTVÍRÁNÍ VÍKA	STRANA 52
5. FUNKCE A PROVOZ	STRANA 53
6. PROVOZ NA BATERIE (NENÍ SOUČÁSTÍ BALENÍ).....	STRANA 54
7. PÉČE A ÚDRŽBA	STRANA 55
8. ODSTRAŇOVÁNÍ PROBLÉMŮ	STRANA 56
9. ZÁRUKA	STRANA 57
10. TECHNICKÉ INFORMACE	STRANA 57

CZ: NÁVOD K POUŽITÍ

Před spuštěním zařízení si pečlivě přečtěte tento návod k obsluze. Uschovejte jej na bezpečném místě pro budoucí použití.



1. BEZPEČNOSTNÍ POKYNY

UPOZORNĚNÍ!

- Příklad nepoužívejte, pokud vykazují viditelné závady.
- Nezakrývejte mezery chladicího boxu např. špendlíkem, drátem atd.
- Nevystavujte přístroj dešti ani jej neponořujte do vody.
- Příklad neumisťujte do blízkosti otevřeného ohně nebo jiných zdrojů tepla (topení, přímé sluneční světlo, plynové trouby atd.).
- Neskladujte žádné výbušné látky, například spreje s hořlavým hnacím plynem.
- Ujistěte se, že napájecí kabel je suchý a není nikde zachycený nebo poškozený. V zadní části přístroje neumisťujte více přenosných zásuvek nebo přenosných napájecích zdrojů.
- Zkontrolujte, zda specifikace napětí na typovém štítku odpovídá napětí zdroje energie. Příklad se smí používat pouze s napájecí jednotkou dodanou spolu s přístrojem.
- V prostoru pro skladování potravin nepoužívejte elektrické přístroje, pokud nejsou typu doporučeného výrobcem.
- Po vybalení a před zapnutím musí být přístroj umístěn na rovný povrch po dobu delší než 6 hodin.
- Dbejte na to, aby přístroj zůstal při provozu ve vodorovné poloze. Úhel naklonění musí být pro dlouhodobý provoz nižší než 5° a pro krátkodobý provoz musí být nižší než 45°.
- Udržujte větrací otvory v krytu jednotky nebo v zabudované konstrukci bez překážek. (Okolo kompresoru ≥ 100 mm).
- Příklad udržujte na zemi nebo ve vozidle ve stabilní poloze. Tekutiny ze zařízení nevypouštějte, když je přístroj dnem vzhůru.



VÝSTRAHA!

- Opravy smí provádět pouze kvalifikovaný pracovník. Nesprávná oprava může způsobit nebezpečí. Lampu a napájecí kabel smí vyměnit výhradně výrobce nebo kvalifikovaná osoba.
- Děti ve věku 3–8 let smí chladicí zařízení jen doplňovat a vyprazdňovat.
- Tento přístroj není vhodný jako hračka pro děti.
- Čištění a uživatelskou údržbu nesmějí provádět děti bez dozoru.
- Tento přístroj mohou používat děti od 8 let a osoby se sníženými fyzickými, smyslovými či duševními schopnostmi nebo s nedostatkem zkušeností a znalostí, pokud jsou pod dohledem nebo pokud byly poučeny ohledně bezpečného používání zařízení a chápou spojená nebezpečí.



UPOZORNĚNÍ!

- Před každým čištěním a údržbou a po každém použití odpojte zdroj napájení.
- K odmrazování nepoužívejte ostré nástroje; nepoškodte okruh chladiwa.
- Zkontrolujte, zda je chladicí výkon zařízení vhodný pro uchovávání potravin nebo léků.
- Potraviny se smí skladovat pouze v originálním obalu nebo ve vhodných nádobách.
- Pokud je zařízení na delší dobu prázdné, vypněte je, rozmrazte, vyčistěte, vysušte a nechte víko otevřené, abyste zabránili vzniku plísní uvnitř zařízení.
- Chladicí box obsahuje uvnitř kompresoru hořlavý plyn.



- Zařízení je určeno pro rekreační kempování.

CZ: NÁVOD K POUŽITÍ

POKUD SI PŘEJETE ZAŘÍZENÍ DEFINITIVNĚ ZLIKVIDOVAT

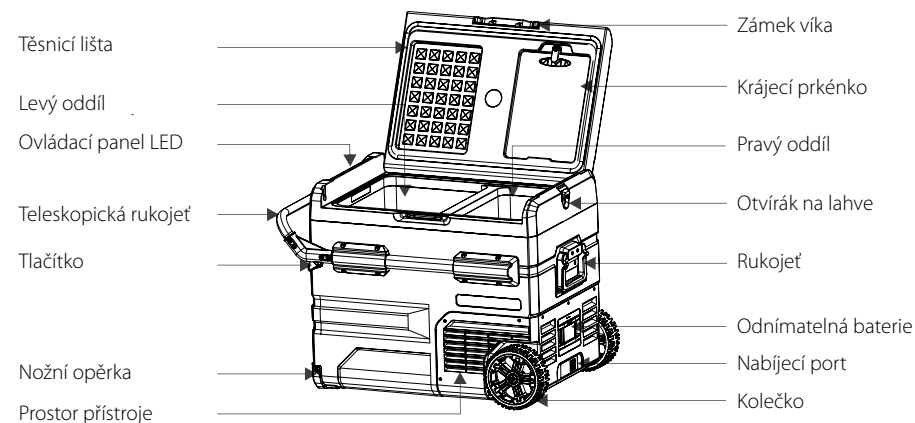
1. Odpojte kabely, víko a upevňovací držáky od těla jednotky s kompresorem a zlikvidujte je v souladu s místními předpisy. Podrobnosti o tom, jak likvidaci provést v souladu s platnými předpisy o likvidaci, získáte v místním recyklačním centru.
2. Pokud je to možné, odložte obalový materiál do příslušných kontejnerů na recyklovatelný odpad.



2. VLASTNOSTI VÝROBKU

- Vysoce účinný stejnosměrný kompresor a konverzní modul.
- Bez obsahu CFC a s vynikající tepelnou izolací.
- Nejnižší teplota chlazení až -20 °C/-4 °F (při teplotě místnosti 25 °C/77 °F).
- Inteligentní systém ochrany baterie brání vybití baterie vašeho vozidla.
- Ovládací panel LED displeje pro nastavení teploty, nabíjecí USB port: SV/IA.
- Odnímatelná lithiová baterie: 15 600 mAh / 11,1 V.
- Specifické součásti: vnitřní vypouštěcí zátky, velká kola, teleskopická rukojeť, držáky nápojů (ve víku), vnitřní LED světlo, krájecí prkénko a otvírák lahví.

3. STRUKTURA VÝROBKU

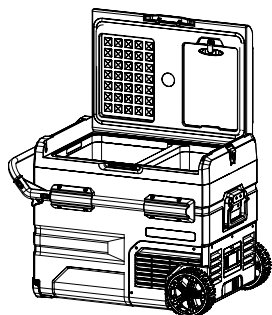


Poznámka: Na obou stranách teleskopické rukojeti jsou tlačítka; pokud stisknete obě současně, můžete tyč vytáhnout. Krájecí prkénko lze posouvat otáčením knoflíku na horním krytu. Po každém použití krájecí prkénko vyčistěte a osušte.

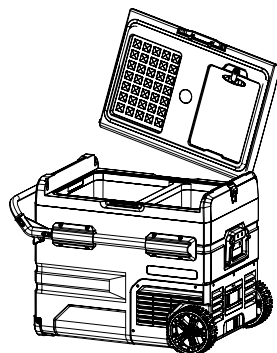
4. OBRÁCENÝ SMĚR OTVÍRÁNÍ VÍKA

Směr otevírání víka lze změnit podle potřeby, postupujte podle následujících pokynů:

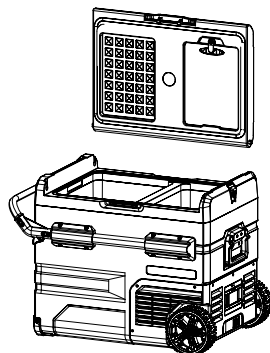
DEMONTÁŽ VÍKA:



Otevřete víko pod úhlem 90°

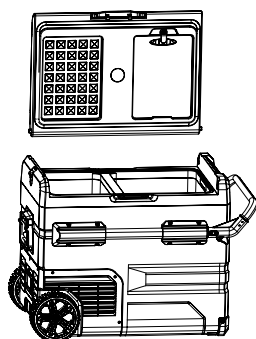


Sejměte víko z jedné strany

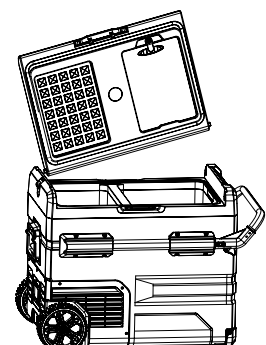


Sejměte víko z druhé strany

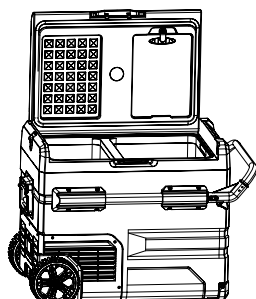
INSTALACE VÍKA:



Obráťte víko směr otevírání

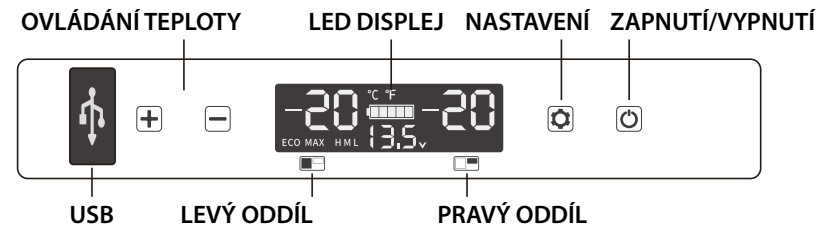


Vyrovnejte dřík víka s otvorem na jedné straně a zasuňte jej dovnitř



Upevněte víko na druhé straně, montáž je hotová

5. FUNKCE A PROVOZ



* Poznámka: Pravý oddíl je na té straně, kde je kompresor.

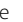


- **Napájení:** Připojte ke zdroji napájení 12/24 V DC nebo 100~240 V AC (pomocí speciálního adaptéru)
- **Inicializace obrazovky displeje:** Pokud je chladicí box zapnutý, bzučák vydá dlouhé pípnutí, displej se na dvě sekundy rozsvítí a poté chladicí box přejde do pohotovostního režimu.
- **Zapnutí a vypnutí:** Stiskněte pro zapnutí a **podržte** tlačítko stisknuté po dobu tří sekund pro vypnutí.
- **Nastavení teploty:** V provozním stavu dlouhým stisknutím **+** a současným podržením po dobu tří sekund zapnete/vypnete levý oddíl, dlouhým stisknutím a současným podržením **-** a po dobu tří sekund zapnete/vypnete pravý oddíl. Jednotlivé oddíly boxu nelze vypnout současně. Pokud je levý i pravý oddíl nastaven v provozním stavu, stiskněte tlačítko **+** nebo **-** pro vstup do nastavení teploty levého oddílu, stiskněte tlačítko **+** pro zvýšení teploty, stiskněte tlačítko **-** pro snížení teploty a stiskněte tlačítko pro přepnutí mezi levým a pravým oddílem. Nastavení se uloží po zastavení provozu na čtyři sekundy (poznámka: zobrazená teplota je aktuální teplota jednotlivých oddílů, dosažení nastavené teploty chvíli trvá).
Rozsah nastavení teploty: -20~20 °C (-4~68 °F)
- **Režim chlazení:** V provozním stavu stiskněte pro přepnutí na MAX (rychlé chlazení) a ECO (úsporný režim). (*Nastavení od výrobce je MAX.)
- **Režim ochrany baterie:** V provozním stavu stiskněte dlouze tlačítko na dobu tří sekund, dokud nezačne obrazovka blikat. Potom znovu stiskněte a vyberte ochranný režim H (vysoký), M (střední) nebo L (nízký).
(*Nastavení od výrobce je H.)

REFERENČNÍ NAPĚTÍ:








PŘÍKON REŽIM	12 V DC		DC 24 V	
	VYPÍNACÍ	ZAPÍNACÍ	VYPÍNACÍ	ZAPÍNACÍ
L	8,5 V	10,9 V	21,3 V	22,7 V
M	10,1 V	11,4 V	22,3 V	23,7 V
H	11,1 V	12,4 V	24,3 V	25,7 V

* napětí je teoretická hodnota, v různých situacích může se vyskytnout odchylka.

* Režim H by se měl nastavit, když je výrobek připojen k napájení z vozidla, a režimy M nebo L je třeba nastavit, když je přístroj připojen k přenosné nebo jiné záložní baterii.

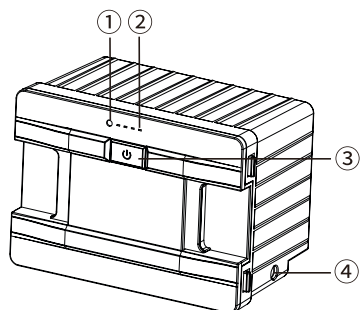
- **Nastavení jednotky teploty:** Vypněte chladicí box, dlouze stiskněte tlačítko  na tři sekundy, dokud se na displeji nezobrazí E1, a poté opět stiskněte tlačítko  pro přepnutí na E5. V režimu E5 stiskněte **+** nebo **-** pro výběr stupně Celsia nebo Fahrenheita. (*Nastavení od výrobce je °C.)
- **Resetování:** Vypněte chladicí box, podržte tlačítko  na tři sekundy stisknuté, dokud se na displeji nezobrazí E1, a v režimu E1 dlouze stiskněte tlačítko **+** na tři sekundy pro resetování zařízení.

DOPORUČENÉ TEPLoty PRO BĚŽNÉ POTRAVINY:

						
Nápoje	Ovoce	Zelenina	Jídlo k okamžité spotřebě	Víno	Zmrzlina	Maso
5 °C/41 °F	5~8 °C/41~46 °F	3~10 °C/37~50 °F	4 °C/39 °F	10 °C/50 °F	- 10 °C/14 °F	-18 °C/0 °F

6. PROVOZ Z BATERIE (BATERIE NENÍ SOUČÁSTÍ BALENÍ)

Zapnutí a vypnutí baterie: Dlouhým stisknutím vypínače se zapne/vypne baterie. Když je baterie VYPNUTÁ, krátkým stisknutím vypínače se zobrazí zbývající kapacita baterie.

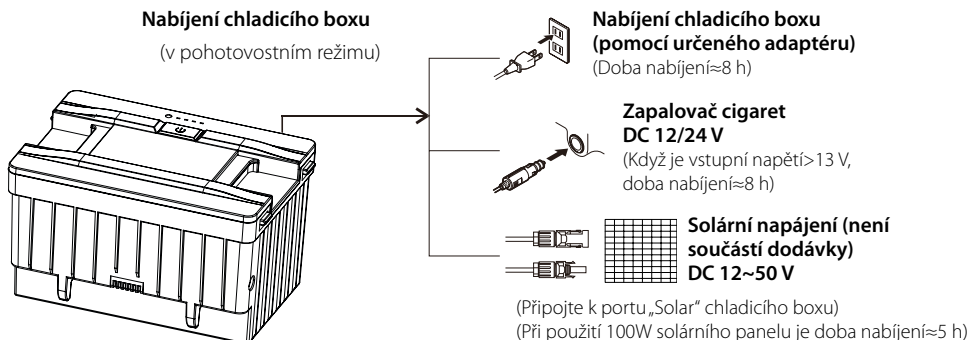


Model: Dobíjecí baterie Arctic Frost (590202) / FSAK-002
 Kapacita: 15 600 mAh/l, 73 Wh, jmenovité napětí: 11,1 V
 Omezené nabíjecí napětí (stejněsměrné): 12,6 V Omezený nabíjecí proud (stejněsměrný): 3 A

- ① Indikátor napájení (zelená: nabíjení; modrá: vybití)
- ② Indikátor baterie (zobrazení aktuální baterie)
- ③ Tlačítko napájení ④ Port pro nabíjení stejnosměrným proudem

Varování: baterii nerozebírejte!

- **Nabíjení baterie (pouze pro referenci):**



Poznámka: Při nabíjení baterie se doporučuje vypnout chladicí box (napájecí zdroj může při chodu chladicího boxu napájet hlavně kompresor). V případě připojení k solárnímu panelu umístěte chladicí box na chladné místo, aby se odvádělo teplo. Příkon nabíjení by měl být vyšší než pracovní výkon chladicího boxu (cca 40–45 W), popř. ledničku vypněte, jinak se vybití baterie.

Doporučujeme používat 100W solární panel.

MAX. vstupní solární napětí: SOV; MAX. vstupní solární proud: 10 A

Poznámka: výkon solárního panelu je nestabilní, proto není možné napájet chladicí box přímo. Při použití solárního panelu je třeba baterii vložit do chladicího boxu.

- Doba vybití (pouze pro referenci): V režimu ochrany nízkého napětí baterie vydrží baterie po úplném nabití přibližně 4 hodiny. Pokud je teplota chladicího boxu nastavena v rozmezí 2~8 °C (okolní teplota 25 °C), může vydržet po stabilizaci vnitřní teploty až 12 hodin. Baterii vyjměte nebo vypněte, abyste zabránili jejímu samovolnému vybití, zatímco se nepoužívá.

7. PÉČE A ÚDRŽBA

Čištění:

- Přístroj nejprve vypněte a odpojte od sítě, aby nedošlo k úrazu elektrickým proudem.
- K čištění přístroje použijte navlhčený hadřík a poté jej otřete suchou utěrkou.
- Chladicí box neponořujte do vody ani nečistěte pod tekoucí vodou.
- Při čištění nepoužívejte abrazivní čisticí prostředky, protože by mohly přístroj poškodit.

Skladování:

V případě, že nebudete přístroj delší dobu používat, postupujte podle těchto pokynů:

- Vypněte přístroj a odpojte ho od sítě.
- Vyjměte všechny předměty uložené v přístroji.
- Přebytečnou vodu otřete měkkým hadříkem.
- Chladicí box položte na suché a chladné místo.
- Ponechte poklop mírně pootevřený, abyste zabránili tvorbě zápachu.
- Doporučené skladovací prostředí: Teplota okolí: 25 °C, vlhkost okolního prostředí: ≤ 75 %.

Odmrazování:

- Vlhkost může v interiéru chladicího zařízení nebo na výparníku vytvořit námrazu. Tím se snižuje chladicí výkon. Abyste tomu zabránili, proveďte co nejdříve odmrzení přístroje.
- Přístroj nejprve vypněte a odpojte od sítě, aby nedošlo k úrazu elektrickým proudem.
- Vyjměte všechny předměty uložené v přístroji.
- Ponechte poklop otevřený.
- Odmrazenou vodu setřete.

⚠ K odstraňování ledu nebo k uvolnění předmětů, které jsou na zařízení zmrzlé, nikdy nepoužívejte tvrdé ani špičaté nástroje.

Výměna AC pojistky zástrčky (220–240 V)

1. Vytáhněte kabel ze síťové zásuvky a z nabíjecího portu chladicího boxu.
2. Páčivým pohybem malého plochého šroubováku ve středu zástrčky kabelu otevřete kryt pojistky. Vyměňte pojistku za novou se stejnými jmenovitými hodnotami (BS 1362 13A).
3. Opětovnou montáž kabelového konektoru proveďte v opačném pořadí.

Výměna pojistky chladicího boxu (15 A)

1. Odpojte kabel ze zásuvky elektrické sítě nebo 12V zásuvky a z nabíjecího portu chladicího boxu.
2. Páčením pomocí malého plochého šroubováku otevřete kryt pojistky v nabíjecím portu chladicího boxu. Vyměňte pojistku za novou se stejnými jmenovitými hodnotami (běžná plochá pojistka ATO 15 A).
3. Opětovnou montáž nabíjecího portu proveďte v opačném pořadí.

8. ODSTRAŇOVÁNÍ PROBLÉMŮ

Problémy	Příčina/doporučení
Chladicí box nefunguje	<ul style="list-style-type: none"> Zkontrolujte, zda je spínač zapnutý. Zkontrolujte, zda jsou zástrčka a zásuvka správně zapojeny. Zkontrolujte, zda není spálená pojistka. Zkontrolujte, zda nedošlo k přerušení napájení. Časté zapínání a vypínání chladicího boxu může způsobit zpoždění startu kompresoru.
Oddíly chladicího boxu jsou příliš teplé	<ul style="list-style-type: none"> Víko se často otevírá. Nedávno bylo uloženo velké množství teplého nebo horkého jídla. Chladicí box je delší dobu odpojen
Potraviny jsou zmrazené	<ul style="list-style-type: none"> Teplota byla nastavena příliš nízkou
Z chladicího boxu je slyšet zvuk proudící vody	<ul style="list-style-type: none"> Jedná se o normální jev, který je způsobený průtokem chladiva.
Kolem víka chladicího boxu nebo v mezeře pod ním jsou kapky vody	<ul style="list-style-type: none"> Jedná se o normální jev, při styku studeného povrchu chladicího boxu okolní vlhkost kondenzuje na vodu
Kompresor je při spuštění trochu hlučný	<ul style="list-style-type: none"> Jde o normální jev, hluk se po stabilizaci provozu kompresoru sníží.
Zobrazení kódu F1	<ul style="list-style-type: none"> Možná příčina: nízké napětí chladicího boxu. Nastavte ochranu baterie od vysoké po střední nebo od střední až po nízkou.
Zobrazení kódu F2	<ul style="list-style-type: none"> Možná příčina: ventilátor kondenzátoru je přetížen. Odpojte napájení chladicího boxu na 5 minut a spusťte jej znovu. Pokud se kód zobrazí znovu, kontaktujte výrobce.
Zobrazení kódu F3	<ul style="list-style-type: none"> Možná příčina: kompresor se příliš často zapíná. Odpojte napájení chladicího boxu na 5 minut a spusťte jej znovu. Pokud se kód zobrazí znovu, kontaktujte výrobce.
Zobrazení kódu F4	<ul style="list-style-type: none"> Možná příčina: kompresor nenaskočí. Odpojte napájení chladicího boxu na 5 minut a spusťte jej znovu. Pokud se kód zobrazí znovu, kontaktujte výrobce.
Zobrazení kódu F5	<ul style="list-style-type: none"> Možná příčina: přehřátí kompresoru a elektroniky. Odpojte napájení chladicího boxu na 5 minut a spusťte jej znovu. Pokud se kód zobrazí znovu, kontaktujte výrobce a požádejte o servis.
Zobrazení kódu F6	<ul style="list-style-type: none"> Možná příčina: ovladač nedokáže detekovat žádný parametr. Odpojte napájení chladicího boxu na 5 minut a proveďte opětovné spuštění. Pokud se kód zobrazí znovu, kontaktujte výrobce.
Zobrazení kódu F7 nebo F8	<ul style="list-style-type: none"> Možná příčina: teplotní čidlo má závadu. Obratě se na výrobce a požádejte o servis.

*Pokud se u modelů s odpojitelnou baterií FSAK-002 zobrazí kód F1, odpojte nebo vypněte baterii, nebo přístroj připojte ke zdroji napájení DC 12/24 V / AC 100–240V (pomocí adaptéru), aby byl včas napájen kompresor a baterie a aby se zabránilo dlouhodobému vybíjení baterie mikroproudem.

9. ZÁRUKA

Platí zákonná záruční doba.

V případě poruchy výrobku se obraťte na výrobce (viz zadní straně návodu) nebo na prodejce.

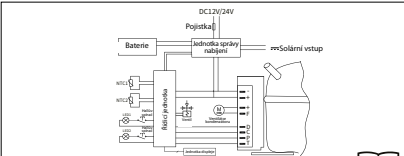
Snažíme se mít k dispozici náhradní díly až po dobu 10 let.

Další informace naleznete na stránkách www.outwell.com

Při opravách a vyřizování záruky přiložte k zasílanému přístroji následující dokumenty:

- Kopii stvrzenky s datem nákupu,
- Důvod reklamace nebo popis závady.

10. TECHNICKÉ INFORMACE

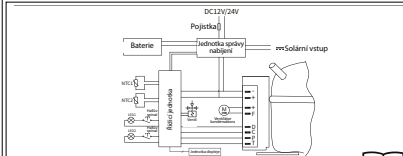


Outwell
explore the outdoors

Model	Arctic Frost 35 590197 / TWW35
Klimatická kategorie	T, ST, N, SN
Jmenovité napětí AC (adaptér)	100V - 240V 50-60Hz
Jmenovité napětí DC	12V/24V
Jmenovitý proud pro AC (adaptér)	1,2A - 0,5A
Jmenovitý proud pro DC	5,0A(12V) / 2,5A(24V)
Klasifikace ochrany proti úrazu elektrickým proudem	□
Chladivo	R134a (40 g)
Pěnové činidlo	C ₂ H ₆
Vnitřní objem	38,8 l

MADE IN CHINA

Oase Outdoors ApS
EU: Kornvej 9, DK-7323 Give, Denmark. UK: One Glass Wharf, Bristol, BS2 0ZX

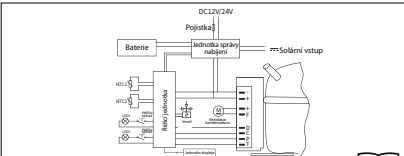


Outwell
explore the outdoors

Model	Arctic Frost 45 590199 / TWW45
Klimatická kategorie	T, ST, N, SN
Jmenovité napětí AC (adaptér)	100V - 240V 50-60Hz
Jmenovité napětí DC	12V/24V
Jmenovitý proud pro AC (adaptér)	1,2A - 0,5A
Jmenovitý proud pro DC	5,0A(12V) / 2,5A(24V)
Klasifikace ochrany proti úrazu elektrickým proudem	□
Chladivo	R134a (40 g)
Pěnové činidlo	C ₂ H ₆
Vnitřní objem	48,3 l

MADE IN CHINA

Oase Outdoors ApS
EU: Kornvej 9, DK-7323 Give, Denmark. UK: One Glass Wharf, Bristol, BS2 0ZX



Outwell
explore the outdoors

Model	Arctic Frost 55 590201 / TWW55
Klimatická kategorie	T, ST, N, SN
Jmenovité napětí AC (adaptér)	100V - 240V 50-60Hz
Jmenovité napětí DC	12V/24V
Jmenovitý proud pro AC (adaptér)	1,2A - 0,5A
Jmenovitý proud pro DC	5,0A(12V) / 2,5A(24V)
Klasifikace ochrany proti úrazu elektrickým proudem	□
Chladivo	R134a (40 g)
Pěnové činidlo	C ₂ H ₆
Vnitřní objem	57,7 l

MADE IN CHINA

Oase Outdoors ApS
EU: Kornvej 9, DK-7323 Give, Denmark. UK: One Glass Wharf, Bristol, BS2 0ZX

INNHOLDSFORTEGNELSE

1. SIKKERHETSANVISNINGER.....	SIDE	59
2. PRODUKTEGENSKAPER	SIDE	60
3. PRODUKTSTRUKTUR.....	SIDE	60
4. SNU ÅPNINGSRETNINGEN TIL LOKKET	SIDE	61
5. FUNKSJON OG DRIFT	SIDE	62
6. BATTERIDRIFT (BATTERI IKKE INKLUDERT).....	SIDE	63
7. VEDLIKEHOLD.....	SIDE	64
8. FEILSØKING	SIDE	65
9. GARANTI.....	SIDE	66
10. TEKNISK INFORMASJON	SIDE	66

Les nøye gjennom denne bruksanvisningen før du starter enheten. Oppbevar den på et trygt sted for fremtidig bruk.

**1. SIKKERHETSANVISNINGER****ADVARSEL!**

- Ikke bruk apparatet hvis det er synlig skadet.
- Ikke blokker åpningene i kjøleboksen med ting som nål, vaier osv.
- Ikke utsett apparatet for regn eller senk det ned i vann.
- Ikke plasser apparatet nær åpen ild eller andre varmekilder (varmeovner, direkte sollys, gassovner osv.)
- Ikke oppbevar eksplosive stoffer som spraybokser med brennbart drivstoff i kjøleboksen.
- Kontroller at strømledningen er tørr og ikke sitter fast eller er skadet. Ikke plasser flere bærbare stikkontakter eller bærbare strømforsyninger på baksiden av apparatet.
- Kontroller at spenningen som er spesifisert på typeskiltet, tilsvarer spenningsforsyningen. Apparatet skal kun brukes med den medfølgende strømforsyningsenheten.
- Ikke bruk elektriske apparater inne i produktets oppbevaringsrom for mat, med mindre de er av den typen som anbefales av produsenten.
- Når apparatet er pakket ut og før det slås på, må det plasseres på et flatt underlag i minst 6 timer.
- Sørg for at produktet står horisontalt når det er i drift. Tiltvinkelen må være mindre enn 5° for langvarig drift og mindre enn 45° for kortvarig drift.
- Hold ventilasjonsåpningene i enhetsrammen eller den innebygde strukturen fri for hindringer. (Rundt kompressoren ≥ 100 mm).
- Hold produktet stabilt på bakken eller i bilen. Må ikke tømmes opp ned.

**FARE!**

- Reparasjoner må kun utføres av kvalifisert personell. Feilaktig reparasjon kan medføre skader. Lampen og strømledningen må skiftes ut av produsenten eller en kvalifisert person.
- Barn i alderen 3–8 år kan *kun* ta inn og ut av kjøleapparater.
- Barn må ikke leke med apparatet.
- Rengjøring og vedlikehold skal ikke utføres av barn uten tilsyn.
- Apparatet kan brukes av barn fra 8 år og oppover samt av personer med reduserte fysiske, sensoriske eller mentale evner eller manglende erfaring og kunnskap hvis de er under tilsyn eller har fått instruksjoner om sikker bruk av apparatet og forstår farene.

**MERK!**

- Koble fra strømforsyningen hver gang det skal utføres rengjøring og vedlikehold, og etter hver bruk.
 - Unngå bruk av skarpe verktøy til å avrime; det er viktig å ikke skade kjølemiddelkretsen.
 - Kontroller om apparatets kjølekapasitet er egnet for oppbevaring av mat eller medisiner.
 - Mat skal kun oppbevares i originalemballasjen eller i egnede beholdere.
 - Hvis apparatet står tomt i lengre perioder, slår du det av, avrimer, rengjør, tørker og lar lokket stå åpent for å forebygge muggdannning inne i apparatet.
 - Kompressoren til kjøleboksen inneholder brennbar gass.
- Apparatet er utviklet for teltturer og camping.



HVIS DU ØNSKER Å AVHENDE APPARATET

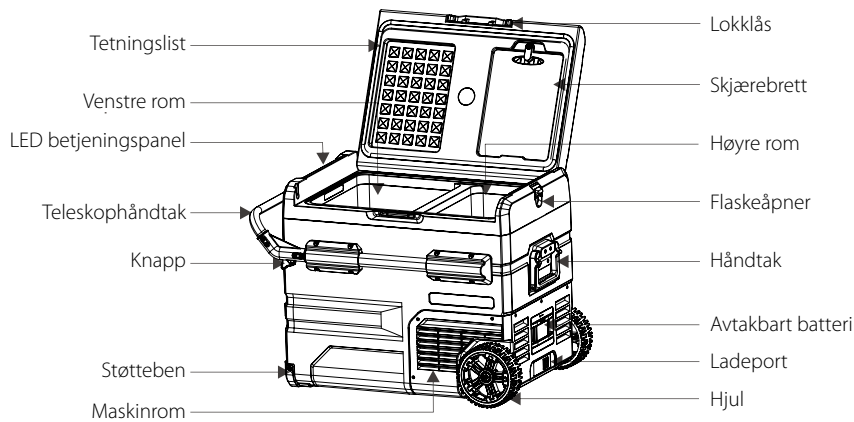
1. Fjern ledninger, lokk, festebraketter fra hoveddelen med kompressor og avhend i henhold til lokale forskrifter. Kontakt ditt lokale gjenvinningscenter for opplysninger om hvordan du gjør dette i samsvar med gjeldende forskrifter for avfallshåndtering.
2. Kast emballasjen i egnede avfallsbeholdere for resirkulering der det er mulig.



2. PRODUKTEGENSKAPER

- Høyeffektiv likestrøm kompressor og omformermodus.
- CFC-fri og god varmeisolasjon.
- Laveste nedkjøling til -20 °C (basert på romtemperatur på 25 °C).
- Intelligent system for batteribeskyttelse forhindrer at bilen din går tom for batteri.
- Betjeningspanel med LED-display for temperaturinnstilling, USB-ladeport: SV/IA.
- Avtakbart litiumbatteri: 15 600 mAh/11,1 V.
- Spesifikke deler: innvendig tappeplugg, store hjul, teleskophåndtak, koppholdere (i lokket), innvendig LED-lys, skjærebrett og flaskeåpner.

3. PRODUKTSTRUKTUR

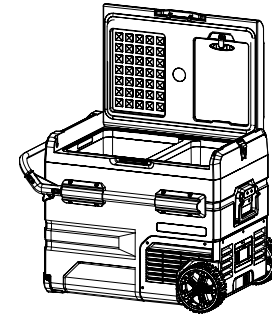


Merk: Det er knapper på begge sider av teleskophåndtaket, og de trykkes inn samtidig for å trekke stangen inn og ut. Skjærebrettet kan flyttes ved å vri på bryteren på toppdekslet. Rengjør og tork skjærebrettet etter hver bruk.

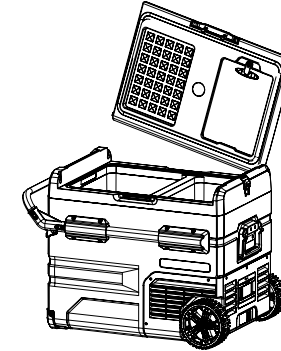
4. SNU ÅPNINGSRETNINGEN TIL LOKKET

Lokkets åpningsretning kan endres etter behov. Følg instruksjonene nedenfor:

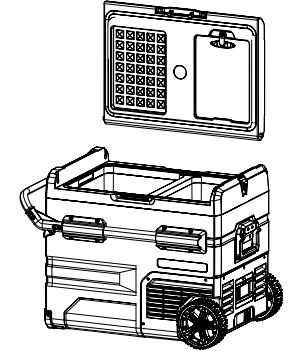
DEMONTERING AV LOKKET:



Åpne lokket i 90° vinkel

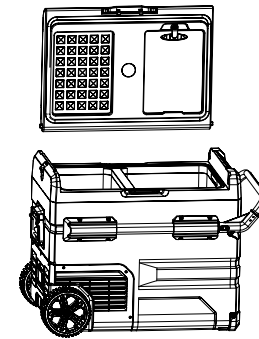


Ta av lokket fra én side

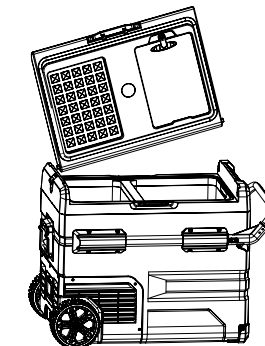


Ta av lokket fra den andre siden

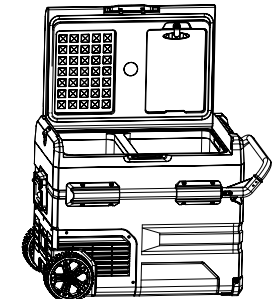
INSTALLASJON AV LOKK:



Snu lokkets åpningsretning

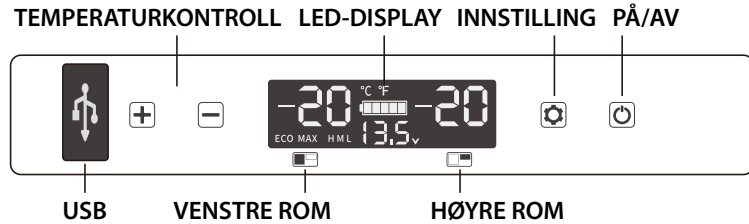


Juster loddakselen i forhold til hullet på den ene siden og sett den inn



Fest lokket på den andre siden, ferdig montert

5. FUNKSJONER OG DRIFT



* Merk: Det høyre rommet er på siden der kompressoren befinner seg.

- **Strømforsyning:** Koble til likestrøm 12 V/24 V eller vekselstrøm 100~240 V (med dedikert adapter)
- **Oppstart av skjermen:** Når kjøleboksen slås på, vil det avgis et langt lydsignal, og displayet vil være på i to sekunder før det går i standby-modus.
- **Strøm på/av:** Trykk **PÅ** for å skru PÅ, hold inne i tre sekunder for å slå AV.
- **Temperaturinnstilling:** I driftsmodus holder du **+** og inne samtidig i tre sekunder for å slå venstre rom PÅ/AV, hold inne **-** og inne samtidig i tre sekunder for å slå PÅ/AV høyre rom. To rom kan ikke slås av samtidig. Når både venstre og høyre rom er innstilt på drift, trykker du på **+** eller **-** for å angi temperaturinnstilling for venstre rom, trykk på **+** for å øke temperaturen, trykk på **-** for å redusere temperaturen, og trykk på for å bytte mellom venstre og høyre rom. Innstillingen lagres etter at enheten har vært stoppet i fire sekunder (Merk: den viste temperaturen er den gjeldende temperaturen i rommene. Det vil ta litt tid før den innstilte temperaturen oppnås.) Temperaturinnstillingsområde: -20~20 °C
- **Kjølemodus:** I driftsmodus trykker du for å skifte til MAX (hurtigkjøling) og ECO (energiparemodus). (*Fabrikkinnstillingen er MAX.)
- **Batteribeskyttelsesmodus:** I driftsmodus holder du inne i tre sekunder til skjermen blinker, og trykk deretter igjen for å velge beskyttelsesmodus H (High), M (Medium) og L (Low). (*Fabrikkinnstillingen er H).

SPENNINGSREFERANSE:

INNGANG MODUS	Likestrøm 12 V		Likestrøm 24 V	
	AVSTENGNING	INNKOPLING	AVSTENGNING	INNKOPLING
L	8,5 V	10,9 V	21,3 V	22,7 V
M	10,1 V	11,4 V	22,3 V	23,7 V
H	11,1 V	12,4 V	24,3 V	25,7 V

* spenningen er en teoretisk verdi, det kan være avvik i ulike scenarier.

* H bør stilles inn når produktet er koblet til bilens strøm, og M eller L bør stilles inn når det er koblet til et bærbart batteri eller et annet reservebatteri.

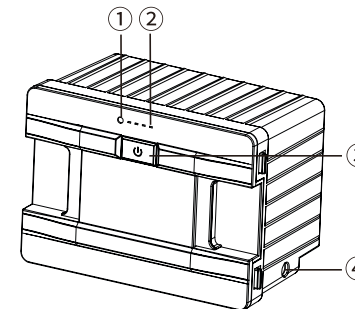
- **Temperaturinnstilling for enhet:** Slå av kjøleboksen, hold inne i tre sekunder til E1 vises, og skift deretter til E5 ved å trykke på nytt. I E5-modus trykker du på **+** eller **-** for å velge Celsius eller Fahrenheit. (*Fabrikkinnstillingen er °C.)
- **Tilbakestilling:** Slå av kjøleboksen, og hold inne i tre sekunder til E1 vises, i E1-modus hold inne **+-** samtidig i tre sekunder for å tilbakestille den.

ANBEFALTE TEMPERATURER FOR VANLIGE MATVARER:

Drikkevarer	Frukt	Grønnsaker	Ferdigretter	Vin	Iskrem	Kjøtt
5 °C	5~8°C	3~10 °C	4 °C	10 °C	-10 °C	-18 °C

6. *BATTERIDRIFT (*IKKE INKLUDERT)

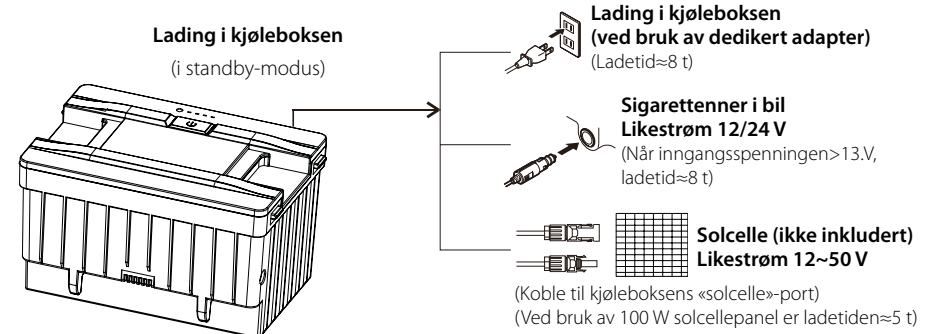
Batteri PÅ/AV: Et langt trykk på PÅ/AV-knappen slår batteriet PÅ/AV. Når batteriet er AV, vil et kort trykk på på/av-knappen vise hvor mye batteristrøm som er igjen.



Modell: Arctic Frost oppladbart batteri (590202) / FSAK-002
 Kapasitet: 15 600 mAh/1 73 Wh Nominell spenning: 11,1 V
 Begrenset ladespenning (likestrøm): Begrenset 12,6 V
 ladestrøm (likestrøm): 3A
 ① Strømindikator (grønn: lader; blå: lader ut)
 ② Batteriindikator (vis gjeldende batteri)
 ③ PÅ/AV-bryter ④ Likestrøm ladeport

Advarsel: Batteriet må ikke demonteres!

• Batterilading (kun til referanse):



Merk: Det anbefales å slå av kjøleboksen når batteriet lades (strømforsyningen forsyner hovedsakelig kompressoren med strøm når kjøleboksen er i drift). Hvis du kobler til et solcellepanel, må kjøleboksen plasseres på et kjølig sted for å lede bort varme. Ladestrømmen bør være høyere enn kjøleboksens effekt (ca. 40-45 W), eller slå av kjølemiddelet, ellers vil batteriet gå tomt.

Det anbefales å bruke 100 W solcellepanel.

MAKS inngangsspenning for solcelle: SOV; MAKS inngangsstrøm for solcelle: 10A.

Merk: Effekten fra solcellepanelet er ustabil, så den kan ikke drive kjøleboksen direkte. Ved bruk av solcellepanel må batteriet settes inn i kjøleboksen.

- Utladningstid (kun til referanse): I modus for beskyttelse mot lavt batterinivå kan batteriet vare i ca. 4 timer etter at det er fulladet. Når temperaturen i kjøleboksen er innstilt mellom 2~8 °C (omgivelsestemperatur 25 °C), kan det vare i 12 timer etter at den innvendige temperaturen stabiliserer seg. Fjern eller slå av batteriet for å hindre selvutlading når det ikke er i bruk.

7. VEDLIKEHOLD

Rengjøring:

- Start med å slå av apparatet og trekk ut støpselet for å unngå elektrisk støt.
- Bruk en våt klut til å rengjøre enheten, og tørk deretter av med en tørr klut.
- Kjøleboksen må ikke senkes ned i vann eller rengjøres under rennende vann.
- Ikke bruk slipende rengjøringsmidler, da disse kan skade apparatet.

Oppbevaring:

Følg disse instruksjonene hvis apparatet ikke skal brukes på lang tid:

- Slå av apparatet og trekk ut støpselet.
- Ta ut alt som oppbevares i enheten.
- Tørk av overflødig vann med en myk klut.
- Oppbevar kjøleboksen på et kjølig og tørt sted.
- La lokket stå litt åpent for å hindre at det danner seg lukt.
- Anbefalt lagringsmiljø: Omgivelsestemperatur: 25 °C, omgivelsesfuktighet: ≤ 75 %.

Avriming:

- Fuktighet kan danne rim inne i kjøleenheten eller på fordampere. Dette reduserer kjølekapasiteten. Avrim apparatet regelmessig for å unngå dette.
- Start med å slå av apparatet og trekk ut støpselet for å unngå elektrisk støt.
- Ta ut alt som oppbevares i enheten.
- Hold lokket åpent.
- Tørk av det tinte vannet.



Bruk aldri harde eller spisse verktøy til å fjerne is eller til å frigjøre gjenstander som har frosset fast på apparatet.

Skifte ut pluggsikringen med vekselstrøm (220-240 V)

1. Trekk ledningen ut av stikkkontakten og ladekontakten på kjøleboksen.
2. Vipp opp sikringsdekslet med en liten flat skrutrekker midt i kabelpluggen. Skift ut sikringen med en ny sikring med samme kapasitet (BS 1362 13A).
3. Monter kabelpluggen på nytt i motsatt rekkefølge.

Skifte ut sikring i kjøleboksen (15 A)

1. Trekk ledningen ut av stikkkontakten eller 12 V-stikkkontakten og ladekontakten på kjøleboksen.
2. Vipp opp sikringsdekslet med en liten flat skrutrekker i ladekontakten på kjøleboksen. Skift ut sikringen med en ny som har samme kapasitet (standard sikring på 15 A).
3. Monter ladeporten på nytt i motsatt rekkefølge.

8. FEILSØKING

Problemer	Årsak/forslag
Kjøleboksen fungerer ikke	<ul style="list-style-type: none"> • Kontroller om bryteren er på. • Kontroller at støpselet og stikkkontakten er riktig tilkoblet. • Kontroller om sikringen er gått. • Kontroller om det er feil på strømforsyningen. • Hvis kjøleboksen slås på/av ofte, kan det føre til senere oppstart av kompressoren.
Kjøleboksrommene er for varme	<ul style="list-style-type: none"> • Lokket åpnes ofte. • En stor mengde varm eller svært varm mat ble oppbevart der nylig. • Kjøleboksen har vært koblet fra i lang tid
Maten er frossen	<ul style="list-style-type: none"> • Temperaturen ble innstilt for lavt
Det er lyd av «vann som strømmer» fra innsiden av kjøleboksen	<ul style="list-style-type: none"> • Det er et normalt fenomen, forårsaket av strømmen av kjølemiddel.
Det er vandrdåper rundt kjølebokshuset eller det åpne lokket	<ul style="list-style-type: none"> • Det er helt vanlig at fuktigheten kondenserer til vann når den kommer i kontakt med en kald overflate på kjøleboksen.
Kompressoren lager noe støy ved oppstart	<ul style="list-style-type: none"> • Det er helt vanlig, og støyen reduseres når kompressoren stabiliserer seg.
Kode F1 vises	<ul style="list-style-type: none"> • Mulig årsak: lav spenning til kjøleboks. Juster batteribeskyttelsen fra High til Medium eller fra Medium til Low.
Kode F2 vises	<ul style="list-style-type: none"> • Mulig årsak: kondensatorviften er overbelastet. Koble fra strømmen til kjøleboksen i 5 minutter og start den på nytt. Ta kontakt med produsenten for service hvis koden vises igjen.
Kode F3 vises	<ul style="list-style-type: none"> • Mulig årsak: Kompressoren starter for ofte. Koble fra strømmen til kjøleboksen i 5 minutter og start den på nytt. Ta kontakt med produsenten for service hvis koden vises igjen.
Kode F4 vises	<ul style="list-style-type: none"> • Mulig årsak: Kompressoren starter ikke. Koble fra strømmen til kjøleboksen i 5 minutter og start den på nytt. Ta kontakt med produsenten for service hvis koden vises igjen.
Kode F5 vises	<ul style="list-style-type: none"> • Mulig årsak: Overoppheting av kompressor og elektronisk utstyr. Koble fra strømmen til kjøleboksen i 5 minutter og start den på nytt. Ta kontakt med produsenten for service hvis koden vises igjen.
Kode F6 vises	<ul style="list-style-type: none"> • Mulig årsak: Styreenheten kan ikke registrere noen parametre. Koble fra strømmen til kjøleboksen i 5 minutter og start den på nytt. Ta kontakt med produsenten for service hvis koden vises igjen.
Kode F7 eller F8 vises	<ul style="list-style-type: none"> • Mulig årsak: Temperatursensoren er defekt. Ta kontakt med produsenten for service.

*For modeller med avtakbart FSAK-002-batteri, hvis koden F1 vises, kobler du fra eller slår av batteriet, eller du kan koble til likestrøm 12 / 24 V / vekselstrøm 100-240 V (ved hjelp av adapteren) strømforsyning for å drive kompressoren og batteriet i tide for å unngå at batteriet blir utladet på lang sikt.

NO: BRUKERVEILEDNING

9. GARANTI

Lovbestemt garantitid gjelder.

Hvis produktet er skadet, kontakter du produsenten (se baksidan av bruksanvisningen) eller forhandleren.

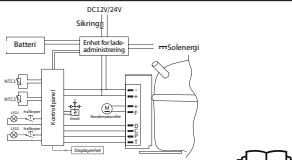
Vi streber etter å ha reservedeler tilgjengelig i opptil 10 år.

Du finner mer informasjon på www.outwell.com

Legg ved følgende dokumenter når du sender inn apparatet til reparasjon og garantisaksbehandling:

- Kopi av kvittering med kjøpsdato
- En årsak til krav eller beskrivelse av feilen.

10. TEKNISK INFORMASJON

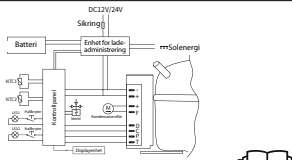


Outwell
explore the outdoors

Modell	Arctic Frost 35 590197 / TWW35
Klimakategori	T, ST, N, SN
Nominell spenning vekselstrøm (adapter)	100V - 240V 50-60Hz
Nominell spenning likestrøm	12V/24V
Nominell strøm for vekselstrøm (adapter)	1,2A - 0,5A
Nominell strøm for likestrøm	5,0A(12V) / 2,5A(24V)
Beskyttelsesklassifisering for elektrisk støtmotstand	□
Kjølemiddel	R134a (40 g)
Skumvesikant	C ₂ H ₁₀
Innvendig volum	38,8 l

MADE IN CHINA

Oase Outdoors ApS
EU: Kornvej 9, DK-7323 Give, Denmark. UK: One Glass Wharf, Bristol, BS2 0ZX

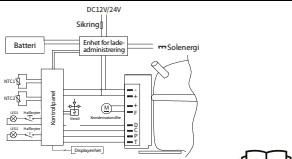


Outwell
explore the outdoors

Modell	Arctic Frost 45 590199 / TWW45
Klimakategori	T, ST, N, SN
Nominell spenning vekselstrøm (adapter)	100V - 240V 50-60Hz
Nominell spenning likestrøm	12V/24V
Nominell strøm for vekselstrøm (adapter)	1,2A - 0,5A
Nominell strøm for likestrøm	5,0A(12V) / 2,5A(24V)
Beskyttelsesklassifisering for elektrisk støtmotstand	□
Kjølemiddel	R134a (40 g)
Skumvesikant	C ₂ H ₁₀
Innvendig volum	48,3 l

MADE IN CHINA

Oase Outdoors ApS
EU: Kornvej 9, DK-7323 Give, Denmark. UK: One Glass Wharf, Bristol, BS2 0ZX



Outwell
explore the outdoors

Modell	Arctic Frost 55 590201 / TWW55
Klimakategori	T, ST, N, SN
Nominell spenning vekselstrøm (adapter)	100V - 240V 50-60Hz
Nominell spenning likestrøm	12V/24V
Nominell strøm for vekselstrøm (adapter)	1,2A - 0,5A
Nominell strøm for likestrøm	5,0A(12V) / 2,5A(24V)
Beskyttelsesklassifisering for elektrisk støtmotstand	□
Kjølemiddel	R134a (40 g)
Skumvesikant	C ₂ H ₁₀
Innvendig volum	57,7 l

MADE IN CHINA

Oase Outdoors ApS
EU: Kornvej 9, DK-7323 Give, Denmark. UK: One Glass Wharf, Bristol, BS2 0ZX



outwell.com