

PureLink

Install. Connect. Perform.



WIRELESS HD EXTENDER SET CSW320

Instruction Manual

HDMI[™]
HIGH DEFINITION MULTIMEDIA INTERFACE

TABLE OF CONTENT

CHAPTER	PAGE
Introduction	3
Intended Use	4
Safety Instructions	5-6
Delivery Content	7
Specifications	8-13
Application	14-19
FAQ	20-21
Maintenance	22
Cleaning	22
Warranty and Liability	23
CE Conformity	24
Disposal of the Device	24
Disclaimer	25

1. INTRODUCTION

Congratulations on your purchase of the Purelink CSW320, which allows you to send a connected HD signal wirelessly to your HDTV or HD projector.

The CSW320 is the ideal product for Wireless HD applications. Sometimes you may find that a cabled connection is not suitable, a long HDMI cable is not available or a cabled connection is just not an option. You can use the CSW320 for all of your HD wireless applications, such as home theatre, crossroom HD (room-to-room), classrooms, meeting rooms or for game room applications.

The CSW320 also includes an IR and USB extending control function, providing an easy remote control extension via the IR and USB pass-through function, allowing control of your Set Top Box, Blu-ray player, other streaming player or PC, Laptop from the HDMI extender's receiving end.

You can also connect up to 4 wireless receiver modules (CSW320-RX) to one single transmitter and simultaneously use the loop-through port. The overall system capacity is limited to a maximum of 4 sink devices at once.

Purelink products are manufactured with the utmost precision and of top quality. Please read this manual carefully and follow the instructions in order to get the very best result from this product.

2. INTENDED USE



This product is intended for indoor use only. Do not use it outdoors. Contact with moisture, e.g. in bathrooms, must be avoided under all circumstances.

For safety and approval purposes (CE), you must not rebuild and/or modify this product. If you use the product for purposes other than those described above, the product may be damaged. In addition, improper use can cause hazards such as short circuiting, fire, electric shock etc.

Read the instructions carefully and keep them. Make this product available to third parties only together with its operating instructions.

3. SAFETY INSTRUCTIONS

Read the operating instructions carefully and especially observe the safety information. If you do not follow the safety instructions and information on proper handling in this manual, we assume no liability for any resulting personal injury or damage to property. Such cases will invalidate the warranty/guarantee.

The device is not a toy. Keep it out of the reach of children and pets.

Do not leave packaging material lying around carelessly. These may become dangerous playing material for children.

Protect the product from extreme temperatures, direct sunlight, strong jolts, high humidity, moisture, flammable gases, vapors and solvents.

Do not place the product under any mechanical stress.

If it is no longer possible to operate the product safely, take it out of operation and protect it from any accidental use. Safe operation can no longer be guaranteed if the product:

- is visibly damaged,
- is no longer working properly,
- has been stored for an extended period in poor ambient conditions or
- has been subjected to any serious transport-related stresses

Please handle the product carefully. Jolts, impacts or a fall even from a low height can damage the product.

Also observe the safety and operating instructions of any other devices which are connected to the product.

Consult an expert when in doubt about the operation, safety or connection of the device.

Make sure to observe the polarity and magnitude of the output voltage. Incorrect polarity or excessive voltage input leads to the destruction of the connected electrical appliance.

Sufficient ventilation is essential when operating the product. Do not cover the product. Never place the product on a table cloth or on a carpet! Place it on a hard, flame resistant base.

The product should not be used immediately after it has been brought from an area of cold temperature to an area of warm temperature. Condensed water might destroy the product. Wait until the product adapts to the new ambient temperature before use.

Make sure that the output of the power adapter is not short-circuited.

Suffocation Risk! Keep packaging materials away from children!

This product contains radios that emit electromagnetic fields. These electromagnetic fields may interfere with pacemakers, defibrillators, and other medical devices. Keep at least 6 inches (approximately 15 cm) of separation between your pacemaker or defibrillator and this product. If you suspect this product is interfering with your pacemaker or any other medical device, stop using it and consult your physician for information specific to your medical device.

4. DELIVERY CONTENT

CSW320 (Set)

1x PureLink CSW320 Transmitter (TX)

1x PureLink CSW320 Receiver (RX)

4x Antenna

1x IR Receiver

1x IR Transmitter

1x USB-A cable

1x 3.5mm audio cable

2x Power adapter 12V/1A

1x User Manual

CSW320-RX (Receiver)

1x PureLink CSW320 Receiver (RX)

2x Antenna

1x IR Receiver

1x Power adapter 12V/1A

1x User Manual

Features

- Transmits HDMI signals in 1080p up to 150 m L.O.S wirelessly
- Supports Switch & Splitter Mode Display
- Supports loop-through HDMI output on the transmitter to connect a local display
- Less than 300ms low latency
- KVM extension with USB ports to control PC on receiver side.
- Supports IR extender control function
- Support external audio (3.5mm AUX) via wireless transmission
- HDCP compliant
- Room to room HDMI wireless
- Low power consumption

5. SPECIFICATIONS

Product Size in mm: TX: 165.5 x 70.4 x 28.7mm
RX: 165.5 x 70.4 x 28.7mm

Product Weight in g: TX: 275 g +/-10%
RX: 274 g +/-10%

TX: Interface HDMI in /HDMI out / IR out / USB
/ Audio in

RX: Interface HDMI out / IR in / USB / Audio out

WiFi Standard IEEE 802.11 protocol (5GHz)

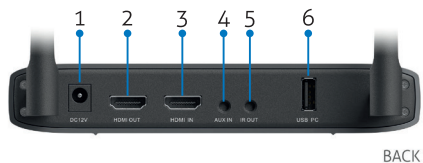
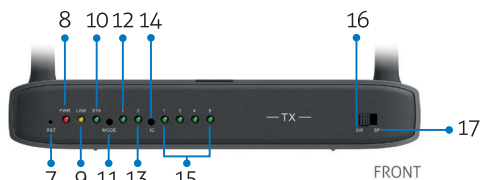
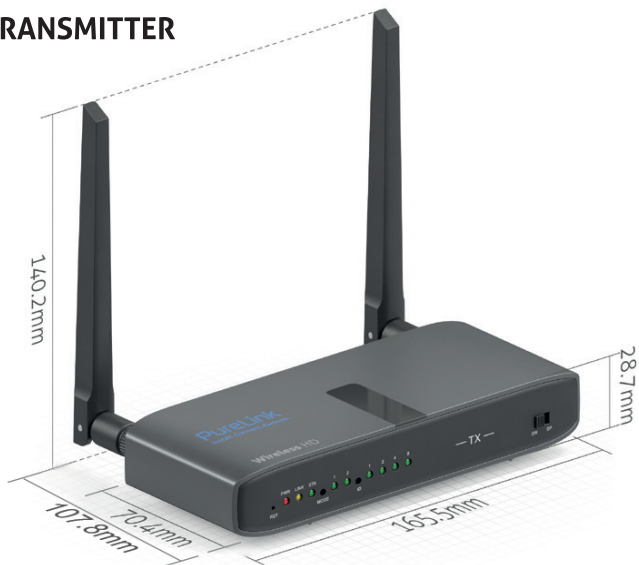
Frequency Range 5180MHz~5240MHz (Band 1)

RF Power 10dBm max.

Distance 150 meters line of sight (no walls)
max.

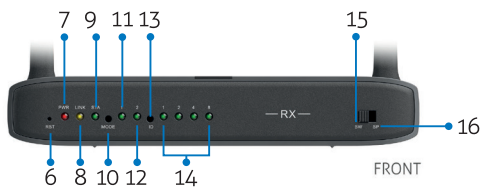
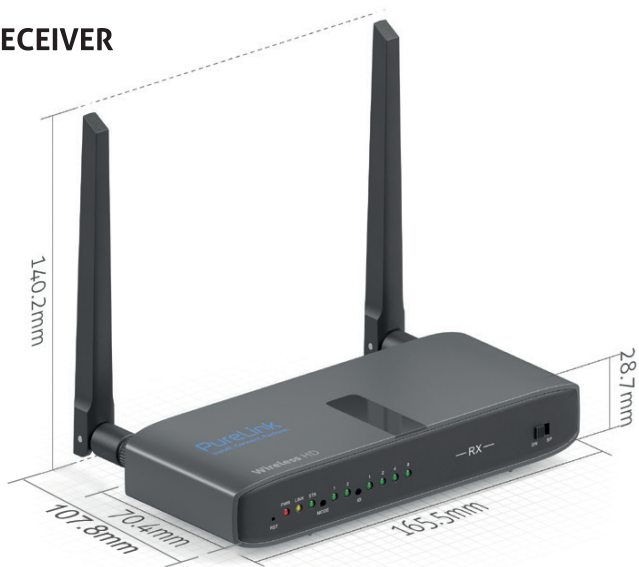
HDMI Compliance	HDMI 1.3
HDCP Compliance	HDCP 1.3
Resolution	1920 x 1080 @60Hz
Pixel Frequency Range	25MHz~165MHz
AudioFormat Support	Compressed PCM 2ch
Power Supply	AC in 110-240V / DC out 12V/1A
Operating Humidity	10-80%
Operating Temperature	0 -45°C
Storage Temperature	-20 -60°C

TRANSMITTER



Item	Port	Description
1	DC IN port (Power port)	Connects to the included power adapter. Requires 12V/1A power supply.
2	HDMI OUT port	Connects to local display device (Monitor HDTV/ Monitor, projector, etc.)
3	HDMI IN port	Connects to your Source device (Laptop, PC, Blu-ray player, set top box, etc.)
4	AUX IN port	Audio input to replace the audio from HDMI source.
5	IR OUT port	Connects to your IR transmitter probe. Supports IR output for remote control. Note: Place the IR transmitter close to the source device to best transmit the IR signal to the source
6	USB PC	Connects to your PC's USB port using the USB Type-A to Type-A cable for receiving reverse control signals of Keyboard and Mouse
7	Reset hole (RST)	Long press to reset to factory default settings
Item	LED signal and button	Description
8	Power LED	LED is ON when powered.
9	LINK LED	LED is ON when TX and RX is connected.
10	STA LED	LED blinks when it is successfully connected and transmitting data.
11	Mode Button	Click to switch display mode: Graphic or video mode (Long press to optimize signal transmission.)
11	Mode Button	OFF: Graphic mode-Lowest latency. ON: Video mode -Lowest drop frames.
12	Mode LED	OFF: Low frequency band. ON: High frequency band.
13	Channel ID LED	OFF: Low frequency band. ON: High frequency band.
14	Channel ID Button	Single click to switch channel no.-0000-1111 (TX and RX need same channel no. when transmission) Long press to switch channel mode- Low or High band
15	Channel no.	0000 – 1111 is the total of what is light on.
16	Switch Mode	One RX to multiple TX (up to 4 TXs) Display the screen to RX with the same Channel no.
17	Splitter Mode	One TX to multiple RX (up to 4 RXs) (TX and RX need same SP mode when transmission)

RECEIVER



Item	Port	Description
1	DC IN port (Power port)	Connects to the included power adapter. Requires 12V/1A power supply.
2	HDMI OUT port	Connects to your sink display device (Monitor HDTV/ Monitor, projector, etc.)
3	AUX Out port	Audio output to external speakers. *Note: That HDMI output port sends audio simultaneously.
4	IR In port	Connects to the IR receiver probe. Supports IR input for remote control.
5	USB K/M	Connects to your keyboard and mouse to control the PC at RX side.
6	Reset hole (RST)	Long press to reset to factory default settings
Item	LED signal and button	Description
7	Power LED	LED is ON when powered
8	LINK LED	LED is ON when TX and RX is connected.
9	STA LED	LED blinks when it is successfully connected and transmitting data.
10	Mode Button	Click to switch display mode: Graphic or video mode (Long press to optimize signal transmission.)
11	Mode LED	OFF: Graphic mode-Lowest latency. ON: Video mode -Lowest drop frames.
12	Channel ID LED	OFF: Low frequency band. ON: High frequency band.
13	Channel ID Button	Click to switch channel no.-0000-1111 (TX and RX need same channel no. when transmission) Long press to switch channel mode- Low or High band
14	Channel no.	0000 – 1111 is the total of what is light on.
15	Switch Mode	One RX to multiple TXs (up to 4 TXs). Display the screen to RX with the same Channel no.
16	Splitter Mode	One TX to multiple RXs. (TX and RX need same SP mode when transmission)

6. APPLICATION

A. Installation

1. Make sure your input AC voltage is compliant to the adapter specification.
2. Only use the power adapter provided with the CSW320. If you use your own adapter, make sure the power output is 12V DC, 1A.
3. In a direct line-of-sight, the maximum range of A/V signal transmission can reach up to about 150 meters. This distance can be shortened by obstacles or walls placed between transmitter and receiver. The optimum indoor range is under 150m.
4. To ensure a good infrared remote control operation, aim your remote control* at the IR receiver of the CSW320 and press the buttons firmly. For some remote controls it may be necessary to press and hold each button for about a second. The working angle of the IR receiver is +/- 15°.
5. The remote controller has to be used within the distance of 0.3m - 5m at a working angle of +/- 15°.

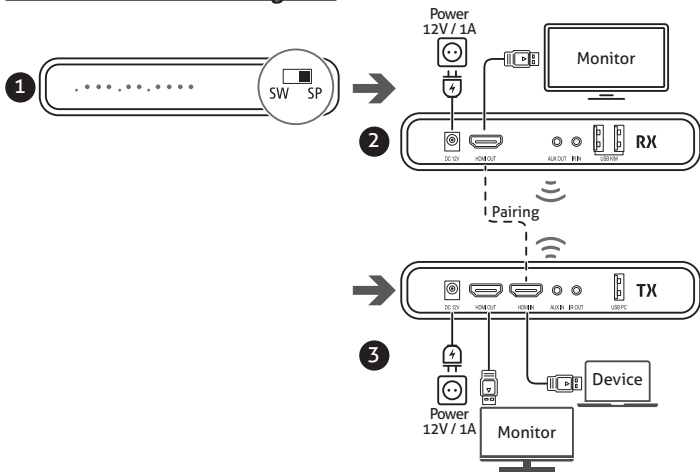
*** The max. transmission distance (150m) is reliant on optimum conditions. Other devices in the vicinity using the 5GHz band (WiFi networks or other wireless video transmitters) can lead to interference and a significant decrease of the transmission distance or picture stability.**

B. Connection & Pairing

1. Connection in Splitter Mode (1 to 1)

1. Set the toggle switch on both devices (receiver and transmitter) to "Splitter Mode (SP)".
2. Connect the receiver device (RX - HDMI Out) to a monitor and connect the power supply (12V/1A) to display the output by the receiver (RX).
3. Connect (after pairing) the transmitter device to a source/ device (TX - HDMI In) and to a monitor for loopback function (TX - HDMI Out) and connect the power supply (12V/1A).

Schematic connection diagram:



***Troubleshooting guide:**

If there is no signal on the monitor (connected to the CSW320 receiver), please make sure that both devices (CSW320 transmitter and receiver) are

- (1) are switched to "splitter mode"
- (2) have been paired with each other or repeat the process again.

**** Instructions for pairing the devices (pairing mode)**

- (1) Set the toggle switches of TX and RX to SP mode and connect the devices to the power supply.
- (2) Connect the TX and RX via HDMI cable in the HDMI-IN jack. The LED flashes until pairing is complete.

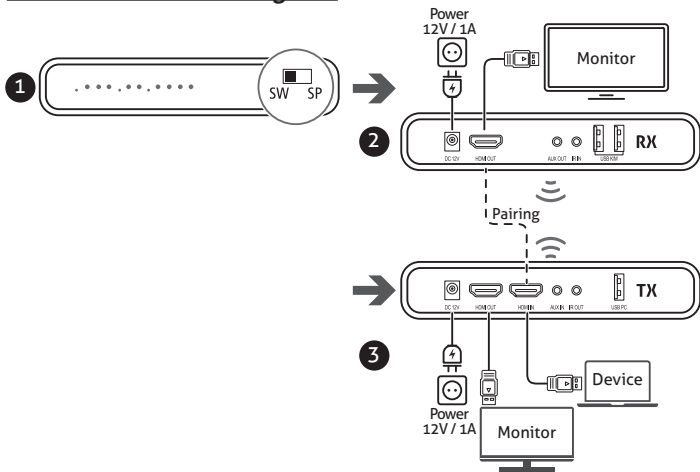
After that, the devices are connected to each other and the HDMI cable can be removed again.

B. Connection & Pairing

2. Connection in Switch Mode (1 to 1; N to 1)

1. Set the toggle switch on both devices (receiver and transmitter) to "Switch Mode (SW)".
2. Connect the receiver device (RX - HDMI Out) to a monitor and connect the power supply (12V/1A) to display the output by the receiver (RX).
3. Connect (after pairing) the transmitter device to a source/ device (TX - HDMI In) and to a monitor for loopback function (TX - HDMI Out) and connect the power supply (12V/1A).

Schematic connection diagram:



4. "Many-to-one" scenario:

- Each source should be set to different signal channels.
- The RX receiver device must be set to the same signal channel as the paired source in order to output the signal.

***Troubleshooting guide:**

If no signal is seen on the monitor (connected to the CSW320 receiver), please make sure that both devices (CSW320 transmitter and receiver) are

- (1) are switched to the "switch mode"
- (2) have been coupled with each other or repeat the process again
- (3) are set to the same channel ID.

**** Instructions for pairing the devices (pairing mode)**

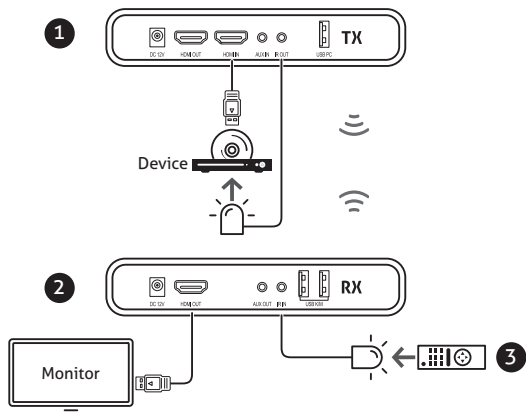
- (1) Set the toggle switches of TX and RX to SP mode and connect the devices to the power supply.
 - (2) Connect the TX and RX via HDMI cable in the HDMI-IN jack. The LED flashes until pairing is complete.
- After that, the devices are connected to each other and the HDMI cable can be removed again.

C. IR Extending Function

1. Connect the IR emitter to the CSW320 Transmitter. And then place the emitter probe in front of the source device's IR receiver.
2. Connect the IR receiver to the CSW320 Receiver. And then place the receiver probe in front.
3. Use the remote control of your source device to control the source from the CSW320 Receiver.

(If you don't need the IR extending function, please skip this step)

Schematic connection diagram:



NOTE: Please do not cover CSW320 transmitter and receiver with any object! Those objects can block the air circulation and casue serious defects and injuries. The warranty will also be void.

7. TROUBLESHOOTING

FREQUENTLY ASKED QUESTIONS

Before troubleshooting, please ensure your system is optimally setup according to our implementation guide on page 14 of the manual.

1. When there is no picture presented:

Make sure the direct connection from the source device to the sink device works properly. Check, if all connectors are connected well; check if all cables can support the transmission speed. High Speed HDMI cables from PureLink are recommended. Unplug the power cable to restart CSW320.

2. When there is no sound:

First, try to adjust the volume of the connected sink device (TV). Check cable connection to see if it works properly. Check cable to see if it supports video transmission only (DVI) or not. The HDCP encryption may not match very well at first connection; please unplug the power cable to restart CSW320.

3. When there is no 3D effect (Only for 3D hardware):

Make sure the 3D function of the 3D sink device is activated (set to AUTO or 3D ON). Make sure the 3D function of the 3D source device is activated (set to AUTO or 3D ON). Make sure that the power of the shutter glasses (if active 3D) is on. Check the power of CSW320. Make sure, you use the right glasses for the 3D technology in use (active or passive).

4. If the image is unstable or a snowing image shows on screen:

You might get interference from other wireless devices or heavy voltage sources inside the room (ex. WiFi Router, Microwave, air conditioner). Please keep CSW320 away from those sources of interference. The wireless transmission distance may be too far or blocked by a wall or another object. Please place CSW320 in another location where you can get good signal and video quality. Please change the direction of transmitter and receiver to get a better connection.

5. If the wireless connection fails:

Please make sure, the power of the connected source device is turned ON. Unplug the power cable to restart CSW320.

6. IF the IR extending function is not work:

Check, if the IR emitter is connected to the CSW320 transmitter and place the emitter in front of the source device's IR receiver. The IR extending function of CSW320 works with all 30-60kHz IR remote control systems. Some IR remote control systems use other frequencies or the IR signal pulse is too short and will not work with the IR extending function. In case the IR function is not working due to interference, please re-plug the power to reconnect automatically.

7. "Loop Through" port transmits signal, but CSW320 receiver has no signal:

Ensure that the Rx connected sink device supports higher or equal resolutions as transmitted from Tx. The Rx side will follow the Tx side's resolution.

For additional information and support, please visit help :

<http://www.purelink.de>

8. MAINTENANCE

There are no components located inside the product you need to maintain. Never open/dismantle the product.

Maintenance, modifications and repairs are to be performed exclusively by an expert or at a qualified shop.

If you have questions which remain unanswered by these operating instructions, contact our technical support service or other technical personnel.

9. CLEANING

Before cleaning the product must be disconnected from mains socket and all electrical loads.

Before cleaning the product, it must be disconnected from all other connected products.

Only use dry and soft cloth to clear the housing of the Product.

Do not use abrasive or solvents.

Do not use any aggressive cleaning agents, rubbing alcohol or other chemical solutions as they can cause damage to the housing and malfunctioning.

To clean the product, a dry, soft and clean cloth is sufficient. Do not apply too much pressure to the housing as this may cause scratch marks.

You can easily remove dust using a long-haired, soft and clean brush.

10. WARRANTY AND LIABILITY

If any fault or damage is detected on your product, please contact your dealer and provide your sales slip or invoice as evidence of the purchase, if necessary. Your dealer will repair the fault either on site, or send the device PureLink. Please describe the possible faults in detail – only then you can be assured that faults, occurring only rarely, will be found and repaired with certainty!

Any use other than described in this user`s manual is not permitted.

Disclaimer of liability

PureLink Gmbh will not be held liable, nor provide any warranty for damage resulting from improper installation, assembly and use of the product, or failure to observe the operating instructions and/or safety instructions.

11. CE CONFORMITY



PureLink GmbH hereby declares that the CSW320 complies with Directive 2014/53/EU.

The full text of the EU Declaration of Conformity is available at the following internet address:

<http://www.purelink.de>

DISPOSAL OF THE DEVICE

WEEE-Reg. No.: DE 93847290



According to the European WEEE directive, any electrical and electronic equipment must not be disposed with consumers waste. As a consumer, you are committed by law to reposit electrical and electronic devices to public collecting points or to the dealer for free at the end of the device's lifetime. Details are regulated in the respective national legislations. The garbage can symbol on the product, in the manual or on the packaging refers to these terms. With the return of your used devices you actively take part in protecting the environment.

12. DISCLAIMER

This product complies with the statutory national and European requirements. All company names and product names are trademarks of their respective owners.

All rights reserved.

We reserve our right for misprints and changes of the device, packing or user manual.

The terms HDMI, HDMI High-Definition Multimedia Interface, HDMI Trade dress and the HDMI Logos are trademarks or registered trademarks of HDMI Licensing Administrator, Inc.

Dolby and the double-D symbol are registered trademarks of Dolby Laboratories Licensing Corporation.

PureLink GmbH

Von-Liebig-Straße 10
D - 48432 Rheine
Germany

PureLink UK LTD.

Carpenter Court, 1 Maple Road
Bramhall, Stockport
Cheshire SK7 2DH
United Kingdom

Telefon: 0049 (0)5971-800 299 -0
Fax: 0049 (0)5971-800 299 -99
E-mail: info@purelink.de
Internet: www.purelink.de

PureLink

Install. Connect. Perform.



KABELLOSES HD EXTENDER SET CSW320

Bedienungsanleitung

HDMI[™]
HIGH DEFINITION MULTIMEDIA INTERFACE

INHALTSVERZEICHNIS

<u>KAPITEL</u>	<u>SEITE</u>
Einleitung	29
Bestimmungsgemäßer Gebrauch	30
Sicherheitshinweise	31-32
Lieferumfang	33
Spezifikationen	34-38
Anwendung	39-44
FAQ / Problembehebung	45-46
Wartung	47
Reinigung	47
Gewährleistung und Haftung	48
CE Konformität	49
Geräteentsorgung	49
Haftungsausschluss	50

1. EINLEITUNG

Herzlichen Glückwunsch zum Erwerb des PureLink CSW320, welcher ein HD-Signal drahtlos zu Ihrem HDTV oder HD-Projektor verteilen kann.

Der CSW320 ist das ideale Produkt für Wireless HD-Anwendungen. In einigen Fällen ist eine Kabelverbindung einfach nicht passend, ein entsprechend langes Kabel nicht zur Hand oder eine Kabel ist einfach keine Option. Der CSW320 kann für jegliche Wireless HD-Anwendung eingesetzt werden, z. B. Home Cinema, Raum-zu-Raum HDMI, Klassenräume, Konferenz- oder Gamingräume.

Der CSW320 umfasst ebenfalls eine einfache „IR and USB pass-through“ Funktion, mit der Fernbedienungssignale verlängert werden können. So können angeschlossene Quellgeräte, wie Set-Top Boxen, BluRay Player oder andere Streaming Geräte ohne direkte Sichtverbindung von der Empfängerseite gesteuert werden.

Mit dem Transmitter können bis zu 4 Stück Wireless Receiver (CSW320-RX) verbunden und gleichzeitig der loop-through Ausgang genutzt werden. Die Gesamtsystemgröße ist limitiert auf maximal 4 Anzeigeräte zur gleichen Zeit.

Alle PureLink Produkte werden mit großer Sorgfalt hergestellt und sind von herausragender Qualität. Lesen Sie diese Anleitung bitte sorgfältig durch und befolgen Sie die Anweisungen, um die Funktionen dieses Produkts optimal nutzen zu können.

2. BESTIMMUNGSGEMÄSSER GEBRAUCH



Eine Verwendung ist nur in geschlossenen Räumen, also nicht im Freien erlaubt. Der Kontakt mit Feuchtigkeit, z.B. im Badezimmer u.ä. ist unbedingt zu vermeiden.

Aus Sicherheits- und Zulassungsgründen (CE) dürfen Sie das Produkt nicht umbauen und/oder verändern. Falls Sie das Produkt für andere Zwecke verwenden, als zuvor beschrieben, kann das Produkt beschädigt werden. Außerdem kann eine unsachgemäße Verwendung Gefahren wie zum Beispiel Kurzschluss, Brand, Stromschlag, etc. hervorrufen.

Lesen Sie sich die Bedienungsanleitung genau durch und bewahren Sie diese auf. Reichen Sie das Produkt nur zusammen mit der Bedienungsanleitung an dritte Personen weiter.

3. SICHERHEITSHINWEISE

Lesen Sie sich die Bedienungsanleitung aufmerksam durch und beachten Sie insbesondere die Sicherheitshinweise. Falls Sie die Sicherheitshinweise und die Angaben zur sachgemäßen Handhabung in dieser Bedienungsanleitung nicht befolgen, übernehmen wir für dadurch resultierende Personen-/Sachschäden keine Haftung. Außerdem erlischt in solchen Fällen die Gewährleistung/Garantie.

Dieses Produkt ist kein Spielzeug. Halten Sie es von Kindern und Haustieren fern.

Lassen Sie das Verpackungsmaterial nicht achtlos liegen. Dieses könnte für Kinder zu einem gefährlichen Spielzeug werden.

Schützen Sie das Produkt vor extremen Temperaturen, direktem Sonnenlicht, starken Erschütterungen, hoher Feuchtigkeit, Nässe, brennbaren Gasen, Dämpfen und Lösungsmitteln.

Setzen Sie das Produkt keiner mechanischen Belastung aus.

Wenn kein sicherer Betrieb mehr möglich ist, nehmen Sie das Produkt außer Betrieb und schützen Sie es vor unbeabsichtigter Verwendung. Der sichere Betrieb ist nicht mehr gewährleistet, wenn das Produkt:

- sichtbare Schäden aufweist,
- nicht mehr ordnungsgemäß funktioniert,
- über einen längeren Zeitraum unter ungünstigen Umgebungsbedingungen gelagert wurde oder
- erheblichen Transportbelastungen ausgesetzt wurde

Gehen Sie vorsichtig mit dem Produkt um. Durch Stöße, Schläge oder bereits dem Fall aus geringer Höhe kann das Produkt beschädigt werden.

Beachten Sie auch die Sicherheitshinweise und Bedienungsanleitungen der weiteren Geräte, an die das Produkt angeschlossen wird.

Wenden Sie sich an einen Sachverständigen, wenn Sie Zweifel zu Arbeitsweise, Sicherheit oder Anschluss des Produktes haben.

Beachten Sie die Polarität und Stärke der Ausgangsspannung. Falsche Polarität oder zu starke Spannungen führen zur Zerstörung des angeschlossenen Geräts.

Achten Sie beim Betrieb des Geräts auf eine ausreichende Luftzirkulation. Decken Sie das Produkt nicht ab. Stellen Sie das Gerät niemals auf eine Tischdecke oder einen Teppich! Platzieren Sie das Gerät auf einer stabilen, feuerfesten Unterlage.

Das Gerät sollte nicht sofort nach einem Wechsel von kalter zu warmer Umgebung angeschlossen werden. Kondenswasser könnte zu Schäden am Gerät führen. Warten Sie, bis sich das Gerät der neuen Umgebungstemperatur angepasst hat.

Stellen Sie sicher, dass der Ladeausgang nicht kurzgeschlossen wird.

Erstickungsgefahr! Halten Sie Verpackungsmaterial von Kindern fern!

4. LIEFERUMFANG

CSW320 (Set)

1x PureLink CSW320 Transmitter (TX)

1x PureLink CSW320 Receiver (RX)

4x Antenne

1x IR Empfänger

1x IR Sender

1x USB-A Kabel

1x 3.5mm Audio Kabel

2x Netzadapter 12V/1A

1x Handbuch

CSW320-RX (Receiver)

1x PureLink CSW320 Receiver (RX)

2x Antenne

1x IR Empfänger

1x Netzadapter 12V/1A

1x Handbuch

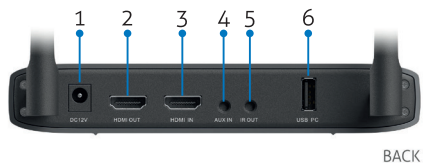
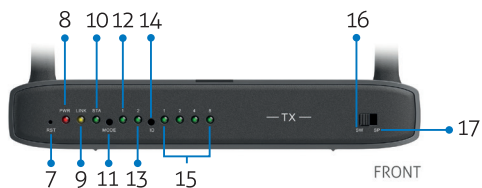
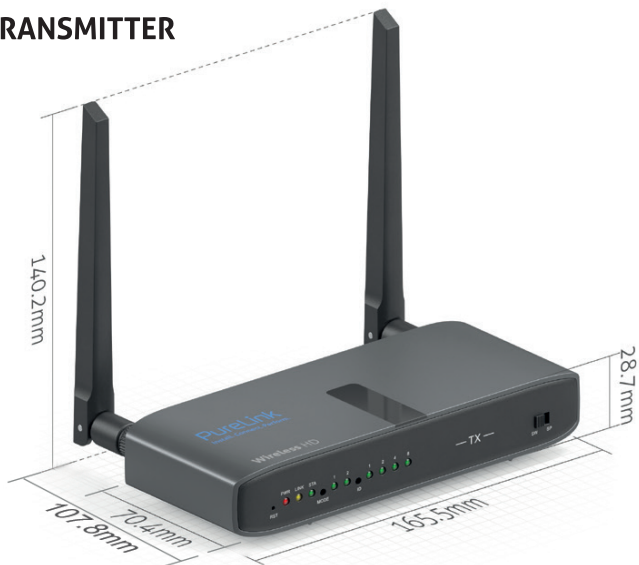
Merkmale

- Überträgt HDMI-Signale in 1080p bis zu 150m Sichtlinie kabellos
- Unterstützt Switch & Splitter Mode Anzeige
- Unterstützt einen Loop-Through-HDMI-Ausgang am Sender zum Anschluss eines lokalen Bildschirms
- Geringe Latenzzeit von weniger als 300 ms
- KVM-Verlängerung mit USB-Ports zur Steuerung des PCs auf der Empfängerseite.
- Unterstützt externen Audioanschluss. (3,5-mm-Kopfhöreranschluss) über drahtlose Übertragung
- HDCP-konform
- Kabellose HDMI-Übertragung von Raum zu Raum
- Geringer Stromverbrauch

5. SPEZIFIKATIONEN

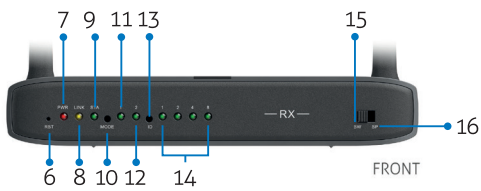
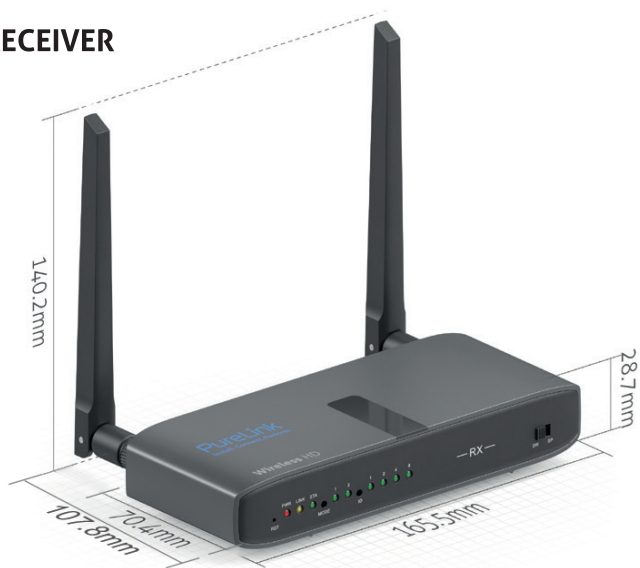
Produkt Größe in mm:	TX: 165,5 x 70,4 x 28,7mm RX: 165,5 x 70,4 x 28,7mm
Produkt Gewicht in g:	TX: 275 g +/-10% RX: 274 g +/-10%
TX: Interface	HDMI in /HDMI out / IR out / USB / Audio in
RX: Interface	HDMI out / IR in / USB / Audio out
WiFi Standard	IEEE 802.11 protocol (5GHz)
Frequenzbereich	5180MHz~5240MHz (Band 1)
RF Leistung	10dBm max.
Entfernung	Max. 150m Sichtlinie (ohne Wände)
HDMI-Konformität	HDMI 1.3
HDCP-Konformität	HDCP 1.3
Auflösung	1920 x 1080 @60Hz
Bildfrequenzbereich	25MHz~165MHz
Audiounterstützung	Compressed PCM 2ch
Stromzufuhr	AC in 110-240V / DC out 12V/1A
Rel. Luftfeuchtigkeit	10-80%
Betriebstemperatur	0 -45°C
Lagertemperatur	-20 -60°C

TRANSMITTER



Item	Port	Description
1	DC IN port (Power port)	Wird an den mitgelieferten Netzadapter angeschlossen. Erfordert 12V/1A Stromversorgung
2	HDMI OUT port	Zum Anschluss an ein lokales Wiedergabegerät (HDTV-Monitor/Monitor, Projektor, usw.)
3	HDMI IN port	Anschluss an Ihr Ausgabegerät (Laptop, PC, Blu-ray-Player, Set-Top-Box, usw.)
4	AUX IN port	Audioeingang zum Ersetzen des Tons der HDMI-Quelle
5	IR OUT port	Anschluss an Ihre IR-Sender-Sonde. Unterstützt den IR-Ausgang für die Fernbedienung Hinweis: Platzieren Sie den IR-Sender in der Nähe des Quellgeräts, um das IR-Signal optimal zu übertragen
6	USB PC	Anschluss an den USB-Port Ihres PCs über das beiliegende USB-Kabel ermöglicht Steuerung per Tastatur und Maus
7	Reset hole (RST)	Gedrückt halten zum Zurücksetzen auf die Werkseinstellungen
Item	LED signal and button	Description
8	Power LED	LED leuchtet, wenn das Gerät eingeschaltet ist
9	LINK LED	LED leuchtet, wenn TX und RX verbunden sind
10	STA LED	LED blinkt, wenn die Verbindung erfolgreich hergestellt ist und Daten übertragen werden
11	Mode Button	Drücken Sie die Mode-Taste, um den Anzeigemodus zu wechseln: Grafik- oder Videomodus (Lang drücken, um die Signalübertragung zu optimieren.)
12	Mode LED	AUS: Grafikmodus - Geringste Latenz EIN: Videomodus - Geringste Dropframes
13	Channel ID LED	AUS: Niedriges Frequenzband EIN: Hochfrequenzband
14	Channel ID Button	Einfacher Klick zum Umschalten der Kanalnummer -0000-1111 (TX und RX benötigen bei der Übertragung dieselbe Kanalnummer) Langes Drücken zum Umschalten des Kanalmodus - Nieder- oder Hochfrequenzband
15	Channel no.	0000 - 1111 ist die Summe der leuchtenden Werte
16	Switch Mode	Ein RX an mehrere TX (bis zu 4 TXs) Anzeige des Bildschirms an RX mit der gleichen Kanalnummer
17	Splitter Mode	Ein TX an mehrere RX (bis zu 4 RXs) (TX und RX benötigen bei der Übertragung den gleichen SP-Modus)

RECEIVER



Item	Port	Description
1	DC IN port (Power port)	Wird an den mitgelieferten Netzadapter angeschlossen. Erfordert 12V/1A Stromversorgung
2	HDMI OUT port	Anschluss an Ihr Wiedergabegerät (Monitor HDTV/Monitor, Projektor usw.)
3	AUX Out port	Audioausgabe an externe Lautsprecher. *Hinweis: Dieser HDMI-Ausgang gibt gleichzeitig Audio aus.
4	IR In port	Anschluss für die IR-Empfängersonde. Unterstützt den IR-Eingang für die Fernsteuerung.
5	USB K/M	Zum Anschluss von Tastatur und Maus zur Steuerung des PC an der RX-Seite.
6	Reset hole (RST)	Gedrückt halten zum Zurücksetzen auf die Werkseinstellungen
Item	LED signal and button	Description
7	Power LED	LED leuchtet, wenn das Gerät eingeschaltet ist
8	LINK LED	LED leuchtet, wenn TX und RX verbunden sind
9	STA LED	LED blinkt, wenn die Verbindung erfolgreich hergestellt ist und Daten übertragen werden
10	Mode Button	Drücken Sie die Mode-Taste, um den Anzeigemodus zu wechseln: Grafik- oder Videomodus (Lang drücken, um die Signalübertragung zu optimieren.)
11	Mode LED	AUS: Grafikmodus - Geringste Latenz EIN: Videomodus - Geringste Dropframes
12	Channel ID LED	AUS: Niedriges Frequenzband EIN: Hochfrequenzband
13	Channel ID Button	Drücken Sie die Taste zum Umschalten der Kanalnummer -0000-1111 (TX und RX benötigen bei der Übertragung dieselbe Kanalnummer) Langes Drücken zum Umschalten des Kanalmodus - Nieder- oder Hochfrequenzband
14	Channel no.	0000 - 1111 ist die Summe der leuchtenden Werte
15	Switch Mode	Ein RX an mehrere TX (bis zu 4 TXs) Anzeige des Bildschirms an RX mit der gleichen Kanalnummer
16	Splitter Mode	Ein TX an mehrere RX (bis zu 4 RXs) (TX und RX benötigen bei der Übertragung den gleichen SP-Modus)

6. ANWENDUNG

A. Installation

1. Stellen Sie sicher, dass die Netzspannung mit den Spezifikationen des Stromadapters kompatibel ist.
2. Nutzen Sie ausschließlich die dem CSW320 beigelegten Stromadapter. Sollten Sie Ihren eigenen Adapter verwenden, stellen Sie unbedingt sicher, dass dieser die Ausgangsspezifikationen DC 12V/1A, unterstützt.
3. In direkter Sichtlinie beträgt die maximale Übertragungsdistanz des CSW320 ca. 150 Meter. Die Distanz wird durch Hindernisse in der Sichtlinie, wie Wände oder Gegenstände reduziert. Die optimale Übertragungsdistanz liegt bei unter 150 Metern.
4. Um eine zufriedenstellende IR Fernbedienung zu erreichen*, richten Sie die Fernbedienung immer direkt auf den IR Empfänger und drücken Sie die Knöpfe kräftig. Einige Fernbedienungen erfordern das Halten der entsprechenden Taste für ca. 1 Sekunde. Der Empfangswinkel des IR Empfängers beträgt +/-15°.
5. Fernbedienungen können in einer Distanz von 0,3m - 5,0m verwendet werden.

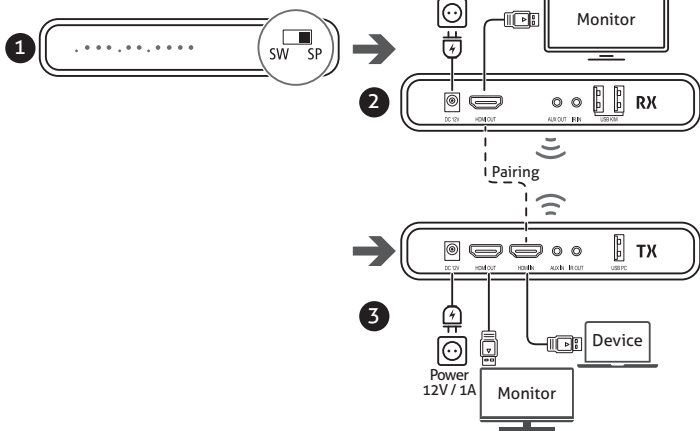
*** Die maximale Übertragungsdistanz (150m) ist abhängig von optimalen Voraussetzungen. Andere Geräte, die ebenfalls im Bereich von 5GHz arbeiten (WiFi Netze oder ein weiterer Transmitter in der gleichen Umgebung) können zu Bildstörungen und signifikanten Reichweitenverlusten führen.**

B. Anschluss & Pairing

1. Verbindung im Splitter-Modus (1 zu 1)

1. Stellen Sie den Kippschalter an beiden Geräten (Empfänger und Sender) auf „Splitter Mode (SP)“
2. Verbinden sie das Empfänger-Gerät (RX - HDMI Out) mit einem Monitor und schließen Sie die Stromversorgung (12V/1A) an, um die Ausgabe durch den Empfänger (RX) anzuzeigen.
3. Verbinden Sie (nach dem Pairing) das Sender-Gerät mit einer Quelle/Device (TX – HDMI In) und mit einem Monitor für die Loopback-Funktion (TX – HDMI Out) und schließen Sie die Stromversorgung (12V/1A) an.

Schematischer Anschlussplan:



***Anleitung zur Fehlerbehebung:**

Wenn auf dem (an den CSW320-Empfänger angeschlossenen) Monitor kein Signal zu sehen ist, vergewissern Sie sich bitte, dass beide Geräte (CSW320 Sender und Empfänger)

- (1) in den „Splitter-Mode“ geschaltet sind
- (2) miteinander gekoppelt wurden bzw. wiederholen Sie den Vorgang erneut.

**** Anleitung zum Koppeln der Geräte (Pairing Modus)**

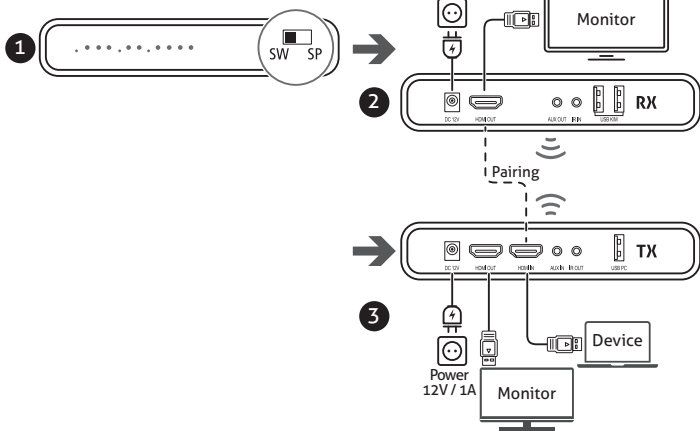
- (1) Stellen Sie die Kippschalter von TX und RX auf SP-Modus und schließen Sie die Geräte an die Stromversorgung an.
- (2) Verbinden Sie den TX und RX über ein HDMI-Kabel in der HDMI-IN Buchse. Die LED blinkt so lange, bis das Pairing abgeschlossen ist. Danach sind die Geräte miteinander verbunden und das HDMI Kabel kann wieder entfernt werden.

B. Anschluss & Pairing

2. Verbindung im Switcher Modus (1 zu 1; N zu 1)

1. Stellen Sie den Kippschalter an beiden Geräten (Empfänger und Sender) auf „Switch Mode (SW)“
2. Verbinden sie das Empfänger-Gerät (RX - HDMI Out) mit einem Monitor und schließen Sie die Stromversorgung (12V/1A) an, um die Ausgabe durch den Empfänger (RX) anzuzeigen.
3. Verbinden Sie (nach dem Pairing) das Sender-Gerät mit einer Quelle/Device (TX – HDMI In) und mit einem Monitor für die Loopback-Funktion (TX – HDMI Out) und schließen Sie die Stromversorgung (12V/1A) an.

Schematischer Anschlussplan:



4. "Many-to-one" Szenario:

- Jede Quelle sollte auf verschiedene Signalkanäle eingestellt werden.
- Das Empfängergerät RX muss auf denselben Signalkanal wie die gekoppelte Quelle eingestellt sein, damit es das Signal ausgibt.

***Anleitung zur Fehlerbehebung:**

Wenn auf dem (an den CSW320 Empfänger angeschlossenen) Monitor kein Signal zu sehen ist, vergewissern Sie sich bitte, dass beide Geräte (CSW320 Sender und Empfänger)

- (1) in den „Switch-Mode“ geschaltet sind
- (2) miteinander gekoppelt wurden bzw. den Vorgang erneut wiederholen
- (3) auf die gleiche Kanal-ID eingestellt sind.

**** Anleitung zum Koppeln der Geräte (Pairing Modus)**

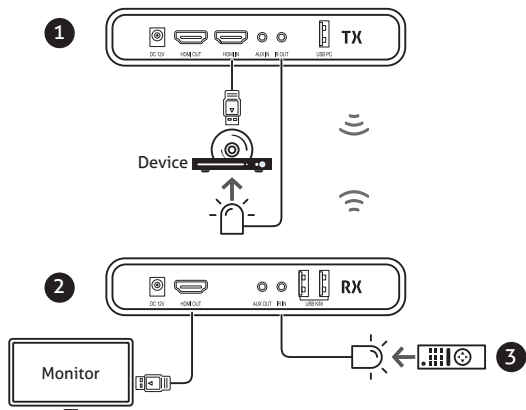
- (1) Stellen Sie die Kippschalter von TX und RX auf SP-Modus und schließen Sie die Geräte an die Stromversorgung an.
- (2) Verbinden Sie den TX und RX über ein HDMI-Kabel in der HDMI-IN Buchse. Die LED blinkt so lange, bis das Pairing abgeschlossen ist. Danach sind die Geräte miteinander verbunden und das HDMI Kabel kann wieder entfernt werden.

C. IR-Erweiterungsfunktion

1. Schließen Sie den IR-Sender an den CSW320-Sender an.
Platzieren Sie dann die IR-Sender Sonde vor dem IR-Empfänger des Quellgeräts.
2. Schließen Sie den IR-Empfänger an den CSW320-Empfänger an.
Platzieren Sie dann die Empfänger-Sonde davor.
3. Verwenden Sie die Fernbedienung Ihres Quellgeräts, um die Quelle vom CSW320-Empfänger aus zu steuern.

(Wenn Sie die IR-Erweiterungsfunktion nicht benötigen, können Sie diesen Schritt überspringen.)

Schematischer Anschlussplan:



HINWEIS: Bitte bedecken Sie den CSW320-Sender und den Empfänger nicht mit Gegenständen! Diese Gegenstände können die Luftzirkulation blockieren und schwere Defekte und Verletzungen verursachen. Die Garantie erlischt ebenfalls.

7. PROBLEMBEHEBUNG

HÄUFIG GESTELLTE FRAGEN

Bevor Sie mit der Fehlersuche beginnen, stellen Sie bitte sicher, dass Ihr System gemäß unserer Anleitung auf Seite 41 des Handbuchs optimal eingerichtet ist.

1. Wenn kein Bild angezeigt wird:

Stellen Sie sicher, dass eine direkte Verbindung von Quelle und Display funktioniert. Prüfen Sie, ob alle Stecker richtig verbunden sind und ob die Kabel die benötigte Bandbreite unterstützen. Es werden PureLink High Speed HDMI Kabel empfohlen. Entfernen Sie den Stromanschluss, um den CSW320 neu zu starten.

2. Wenn kein Sound ertönt:

Überprüfen Sie zunächst die Lautstärkeeinstellung am Display. Stellen Sie sicher, dass eine direkte Verbindung von Quelle und Display funktioniert. Prüfen Sie das Kabel, ob es überhaupt Audioübertragung unterstützt (DVI). Eventuell funktioniert die HDCP Einstellung nicht beim ersten Mal; entfernen Sie den Stromanschluss, um den CSW320 neu zu starten.

3. Wenn kein 3D Effekt sichtbar ist (Nur bei 3D Hardware):

Stellen Sie sicher, dass die 3D Funktionen des Quellgerätes sowie des Displays eingeschaltet sind. Stellen Sie sicher, dass die 3D Shutterbrillen ausreichend mit Strom versorgt sind (Aktives 3D). Überprüfen Sie die Stromversorgung des Systems. Stellen Sie sicher, dass Sie die richtigen 3D Brillen für die verwendete 3D-Technologie verwenden (aktiv oder passiv).

4. Wenn das Bild instabil ist oder sich digitaler Schnee abzeichnet:

Eventuell erhält das Signal Störeinflüsse durch andere Wireless Geräte oder starke Stromquellen innerhalb des Raums (z.B. WiFi Router, Mikrowellenofen, Klimaanlage). Halten Sie den CSW320 fern von solchen Störungsquellen. Die Übertragungsdistanz wird durch Hindernisse in der Sichtlinie, wie Wände oder Gegenstände reduziert. Sollte dies der Fall sein, platzieren Sie den CSW320 an einer anderen Stelle, an der Sie eine ausreichende AV Signalqualität erreichen. Die Ausrichtung des Transmitters ist ebenfalls ausschlaggebend für die Verbindungsqualität.

5. Wenn die Wireless Verbindung fehlschlägt:

Stellen Sie sicher, dass CSW320 sowie alle verbundenen Geräte eingeschaltet sind. Entfernen Sie den Stromanschluss, um den CSW320 neu zu starten.

6. Wenn die IR Verlängerungsfunktion nicht funktioniert:

Stellen Sie sicher, dass der IR Emitter richtig mit dem CSW320 Transmitter verbunden wurde und dieser sich direkt gegenüber des IR Receivers des Quellgeräts befindet. Die IR Verlängerungsfunktion funktioniert mit allen 30~60kHz IR Fernbedienungen. Einige Systeme verwenden andere Frequenzbereiche oder der IR Puls ist zu kurz, um die Signale adäquat weiterleiten zu können. Sollte die IR Funktion aufgrund von Interferenzen nicht funktionieren, schalten Sie die Geräte noch einmal aus und wieder ein um automatisch neu zu verbinden.

7. "Loop Through" Ausgang überträgt Signal, doch der Receiver empfängt nichts:

Stellen Sie sicher, dass das mit dem Rx verbundene Anzeigegerät die gleiche oder höhere Auflösungen, als die vom Tx übertragene unterstützt. Das Gerät auf Rx Seite passt sich der Übertragung vom Tx an.

Für zusätzliche Informationen und Unterstützung besuchen Sie bitte Hilfe:

<http://www.purelink.de>

8. WARTUNG

Es sind keinerlei für Sie zu wartende Bestandteile im Inneren des Produkts, öffnen/zerlegen Sie es deshalb niemals.

Lassen Sie Wartungs-, Anpassungs- und Reparaturarbeiten ausschließlich von einem Fachmann bzw. einer Fachwerkstatt durchführen.

Sollten Sie noch Fragen haben, die in dieser Bedienungsanleitung nicht beantwortet werden konnten, wenden Sie sich an unseren technischen Kundendienst oder an einen Sachverständigen.

9. REINIGUNG

Vor jeder Reinigung ist das Produkt von der Steckdose und den angeschlossenen Produkten zu trennen.

Vor jeder Reinigung ist das Produkt von den angeschlossenen Produkten zu trennen.

Verwenden Sie nur ein trockenes, weiches Tuch, um das Gehäuse des Produkts zu reinigen. Verwenden Sie keine Scheuer- oder Lösungsmittel.

Verwenden Sie auf keinen Fall aggressive Reinigungsmittel, Reinigungsalkohol oder andere chemische Lösungen, da dadurch das Gehäuse angegriffen oder gar die Funktion beeinträchtigt werden kann.

Zur Reinigung genügt ein trockenes, weiches und sauberes Tuch. Drücken Sie nicht zu stark auf das Gehäuse, dies führt zu Kratzspuren.

Staub kann mit Hilfe eines langhaarigen, weichen und sauberen Pinsels leicht entfernt werden.

10. GEWÄHRLEISTUNG UND HAFTUNG

Falls ein Fehler oder Defekt an Ihrem Produkt festgestellt werden sollte, wenden Sie sich bitte zuerst an Ihren Fachhändler und zeigen Sie ggf. Ihre Quittung oder Rechnung als Kaufnachweis vor. Ihr Händler wird den Fehler entweder vor Ort beheben, oder das Produkt an PureLink weiterleiten. Bitte beschreiben Sie eventuelle Fehler ausführlich beschreiben – nur dann haben Sie Gewähr, dass auch selten auftretende Fehler mit Sicherheit gefunden und beseitigt werden!

Ein anderer als in dieser Betriebsanleitung beschriebener Einsatz ist unzulässig.

11. CE KONFORMITÄT



Hiermit erklärt PureLink GmbH, dass der CSW320 der Richtlinie 2014/53/EU entspricht.

Der vollständige Text der EU-Konformitätserklärung ist unter der folgende Internetadresse verfügbar:

<http://www.purelink.de>

GERÄTEENTSORGUNG

WEEE-Reg. Nr.: DE 93847290



Elektrische und elektronische Geräte dürfen nach der europäischen WEEE Richtlinie nicht mit dem Hausmüll entsorgt werden. Als Verbraucher sind Sie nach dem ElektroG verpflichtet, elektrische und elektronische Geräte am Ende ihrer Lebensdauer an den dafür eingerichteten, öffentlichen Sammelstellen oder an die Verkaufsstelle kostenlos zurückzugeben. Einzelheiten dazu regelt das jeweilige Landesrecht. Das Symbol auf dem Produkt, der Gebrauchsanleitung oder der Verpackung weist auf diese Bestimmungen hin. Mit dieser Art der Verwertung von Altgeräten leisten Sie einen wichtigen Beitrag zum Schutz unserer Umwelt.

12. HAFTUNGSAUSSCHLUSS

Das Produkt entspricht den gesetzlichen, nationalen und europäischen Anforderungen. Alle enthaltenen Firmennamen und Produktbezeichnungen sind Warenzeichen der jeweiligen Inhaber.

Alle Rechte vorbehalten.

Druckfehler und Änderungen an Gerät, Verpackung oder Anleitung behalten wir uns vor.

Die Begriffe HDMI, HDMI High-Definition Multimedia Interface, HDMI-Aufmachung (HDMI Trade Dress) und die HDMI-Logos sind Marken oder eingetragene Marken von HDMI Licensing Administrator, Inc.

Dolby und das Doppel-D-Symbol sind eingetragene Handelsmarken der Dolby Laboratories Licensing Corporation.

0

Beide Geräte auf einer Höhe /
Both devices horizontally aligned



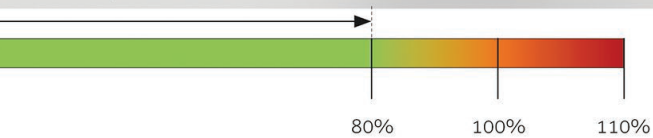
Empfohlene Distanz (80% der
Recommended distance (80%

0%

Antennen parallel zueinander
/ Antennas parallel to each other



(angegebenen max. Reichweite)
(of the max. specified distance)





Metalltüren
blockieren / reflektieren
das Signal

Metal doors
block / reflect the signal

Stein- und Betonwände
absorbieren das Signal
(teilweise)

Stone- and concrete walls
(partly) absorb the signal



Wi-Fi-Router können für —
Interferenzen sorgen

Wi-Fi-Routers can cause
interferences

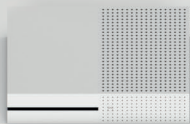
eLink
ect. Perform.



Stahlbetonwände
blockieren / reflektieren
das Signal

Ferroconcrete walls
block / reflect the signal

Spiegel blockieren das Signal
Mirrors block the signal



Verzögerung < 300ms
Delay < 300ms

1m Abstand zu anderen Geräten
1m Distance to other devices



PureLink GmbH

Von-Liebig-Straße 10
D - 48432 Rheine
Germany

PureLink UK LTD.

Carpenter Court, 1 Maple Road
Bramhall, Stockport
Cheshire SK7 2DH
United Kingdom

Telefon: 0049 (0)5971-800 299 -0
Fax: 0049 (0)5971-800 299 -99
E-mail: info@purelink.de
Internet: www.purelink.de