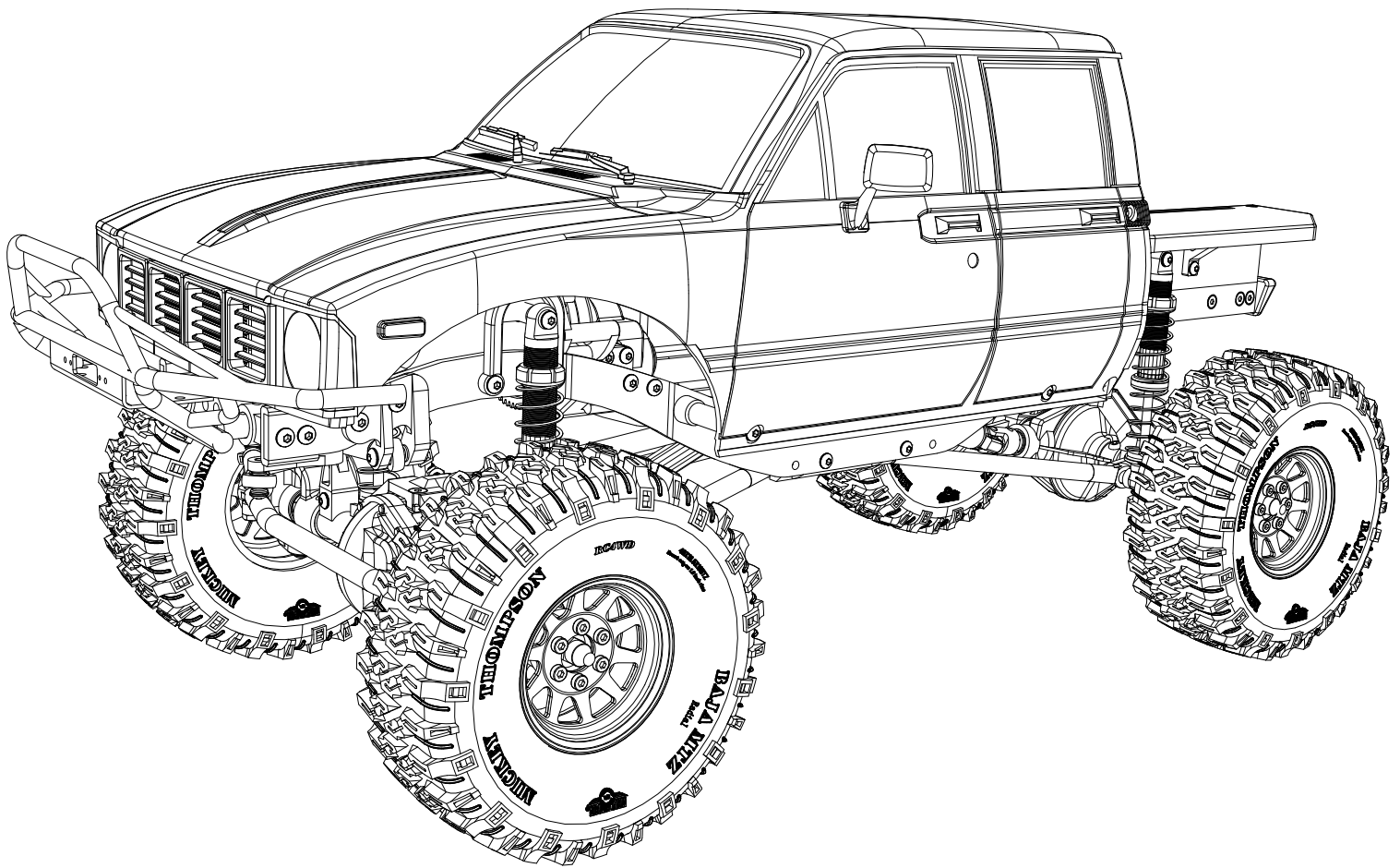


RC4WD C2X CLASS 2 COMPETITION TRUCK W/ MOJAVE II 4 DOOR BODY



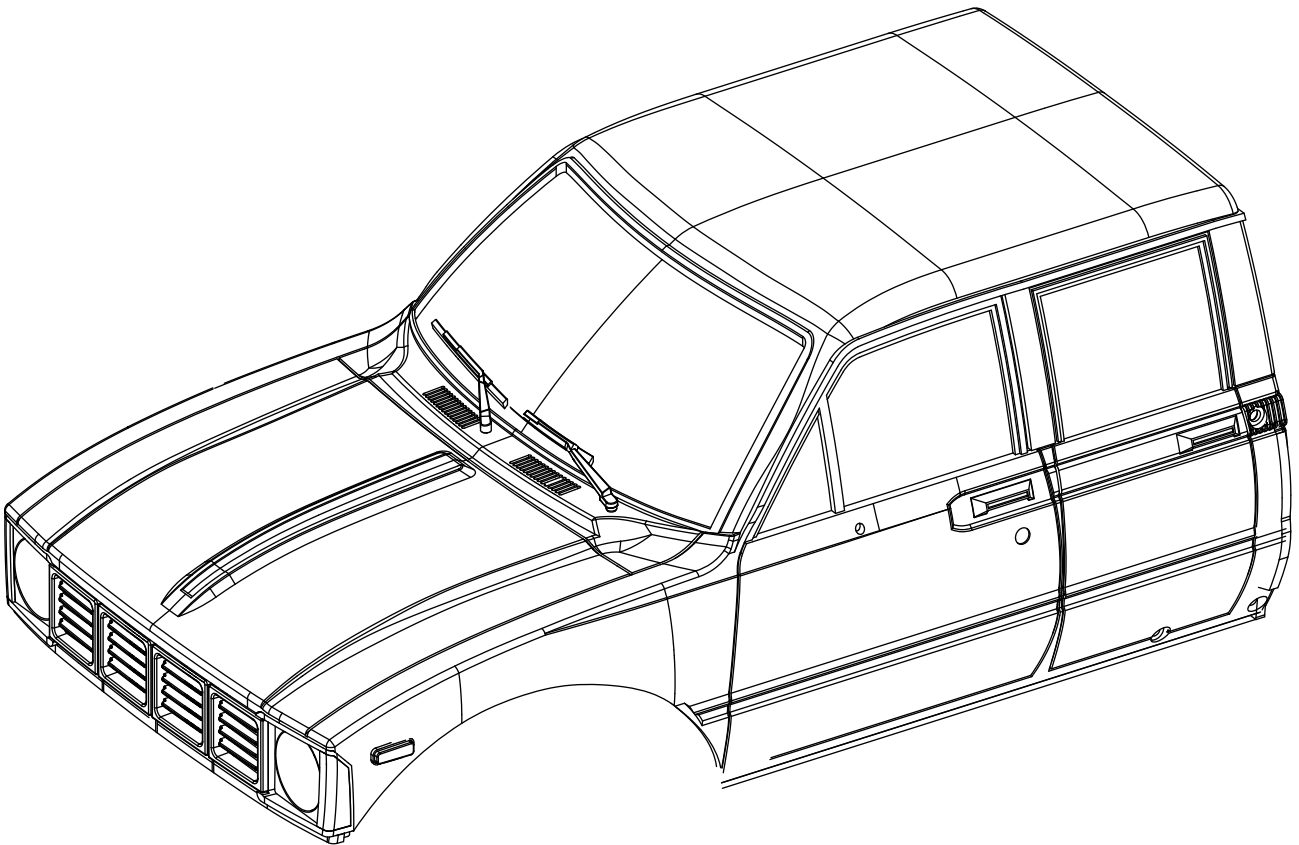
Warranty

RC4WD non-electrical products are warranted to be free of defects in materials and workmanship when new. Our limited warranty does not cover damages due to normal wear and tear, user error of assembly or installation, user modifications, user's failure to perform routine maintenance, addition of aftermarket parts or option parts. This warranty lasts 30 days after arrival for original purchaser.

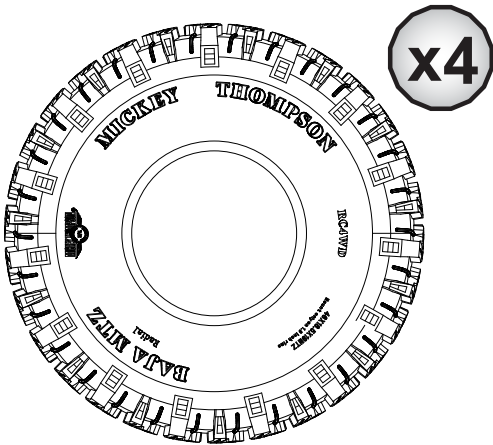
In the event of a defect under this warranty, RC4WD will, at our discretion, replace the product, provided our inspection indicates that an original defect exists. RC4WD reserves the right to replace any product which is no longer available with a product of comparable value and function. If RC4WD determines the repair is not covered under warranty guidelines, we will contact you to discuss your options. If you have any questions, please contact us via email at support@rc4wd.com.

RC4WD warrants its electronics for 30 days from date of arrival. This covers all electrical items except items that are already noted on the individual product page.

Parts List



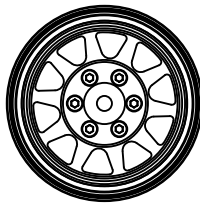
Z-B0120



x4

Z-T0123

x4



Z-W0210

x4

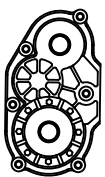


Z-D0052

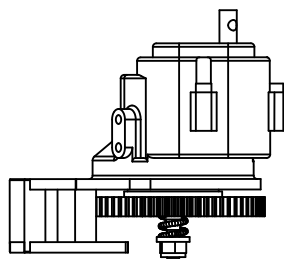
x2



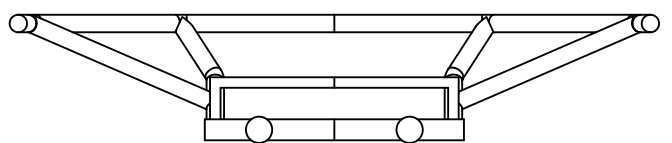
Z-S1811



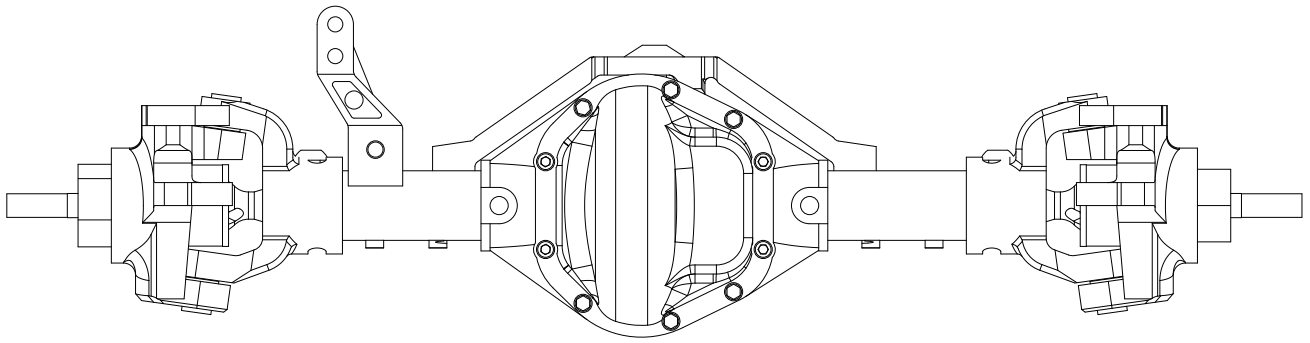
Z-U0024



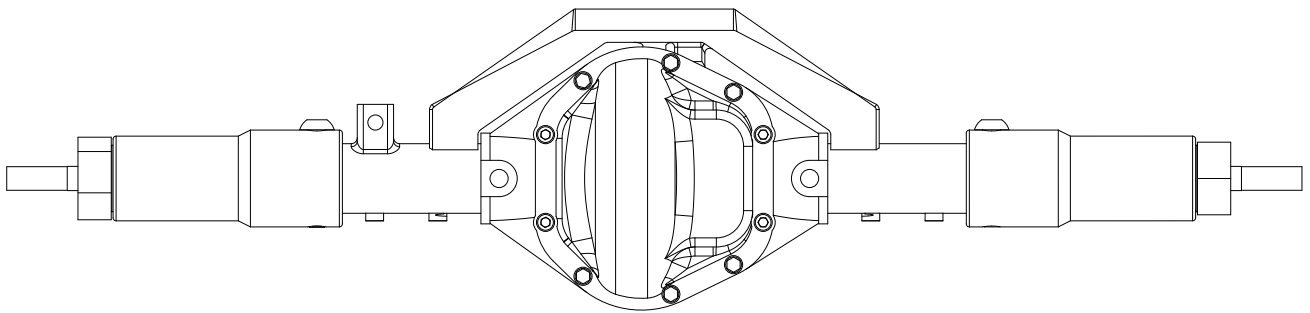
Z-U0028



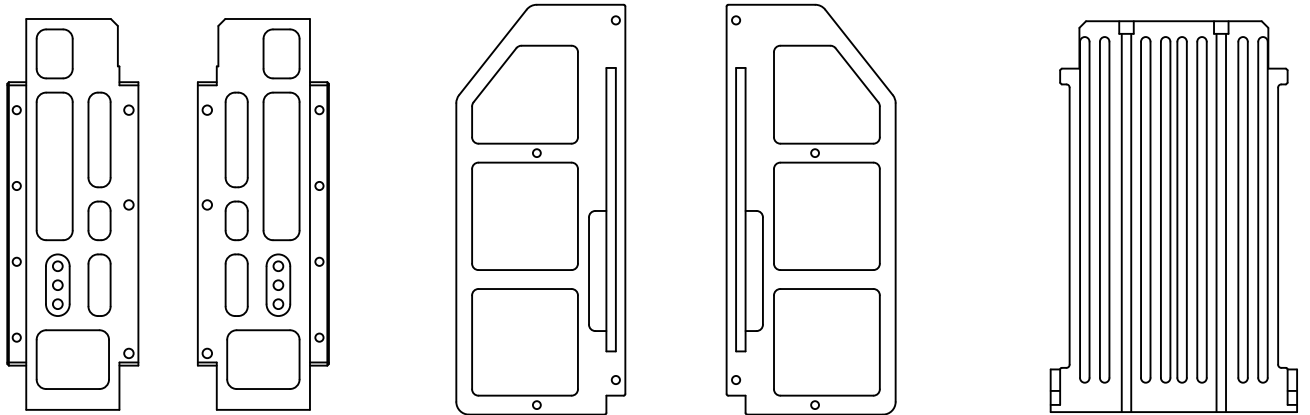
Z-S0594



Z-A0104



Z-A0106



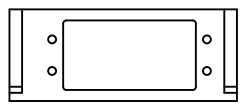
400-0060

400-0059

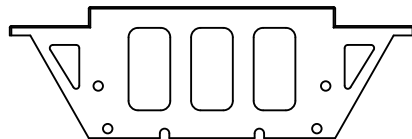
400-0057

400-0058

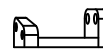
400-0055



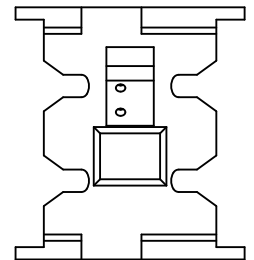
350-1557



400-0056



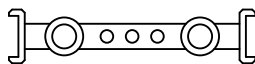
350-1561



400-0054



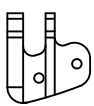
350-1555



350-1558



350-1560



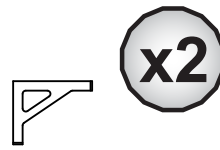
350-1556



350-1562



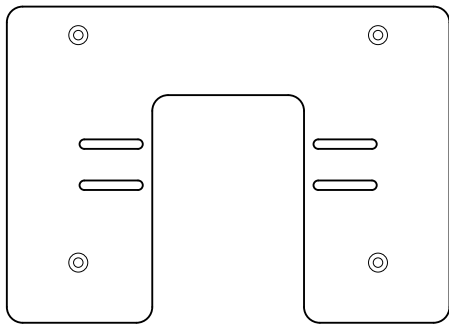
Z-S0597



400-0061



350-1560



350-1554



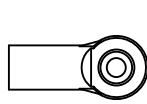
x4

Z-B0029



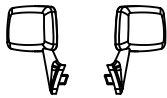
x4

350-1559

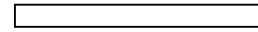


x20

Z-S1378

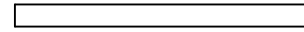


325-0980



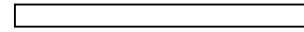
350-1565

x2



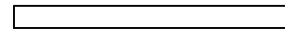
350-1566

x2



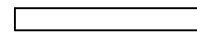
350-1563

x2

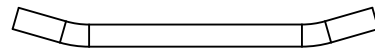


350-1564

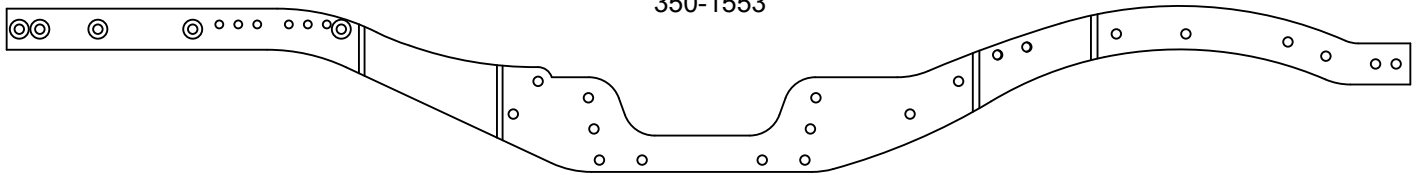
x2



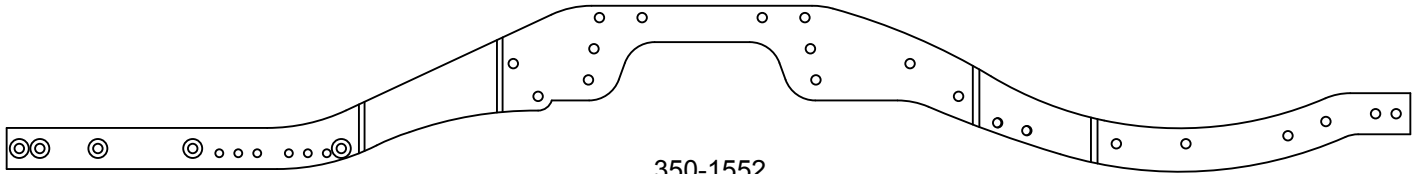
350-1567



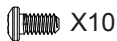
350-1568



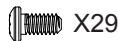
350-1553



350-1552



X10
150-0061
M3 x 6mm BHCS



X29
150-0062
M3 x 8mm BHCS



X2
150-0063
M3 x 10mm BHCS



X1
150-0064
M3 x 12mm BHCS



X1
150-0318
M3 x 15mm BHCS



X8
150-0067
M3 x 18mm BHCS



X1
150-0068
M3 x 20mm BHCS



X1
150-0069
M3 x 22mm BHCS



X4
150-0319
M3 x 24mm BHCS



X1
150-0320
M3 X 26mm BHCS



X1
150-0321
M3 X 28mm BHCS



X2
350-0020
2mm Spacer



X4
Z-S0872
M3 Nuts REGULAR



X20
Z-S0629
M3 Nuts NYLOCK



X4
Z-S0648
M3 x 6mm FHCS



X4
150-0100
M3 x 8mm FHCS



X4
150-0101
M3 x 10mm FHCS



X10
150-0102
M3 x 12mm FHCS



X12
150-0093
M2.5 X10mm FHCS



M4 X 20mm SSS
150-0215



X6
150-0202
M3 Driveshaft Screw Pin

BATTERY CHARGING

1. Only change batteries that are cool to the touch and are not damaged (swollen, bent, broken or punctured).
2. Connect the charger to the proper wall receptacle noting proper polarity.
3. Plug the battery's connector into the charger's connector. The LED will light red as it is charging.
4. The charger will emit a tone and the LED will change to green once fully charged. NOTE: Monitor the battery while charging and end the charging process if the charger or battery becomes abnormally hot.
5. Always unplug the battery from the charger immediately upon completion of charging.



CAUTION: Overcharging a battery may cause a fire.

SPECIFICATIONS

Input Voltage	110VAC~240VAC
Output Current	650MA
Charging Model	pre-charged, steady current, monitoring, automatic protection
Charging Capability	5-8 NiMH batteries

⚠ WARNING

This charger is designed to charge only 5~8 Cell NiMH batteries. Make sure that the battery is compatible with the charger's charge rate.

Never let children operate unsupervised while charger is in use.

Adult supervision is recommended at all times.

The charger is for indoor use only. Do not use in case of high humidity conditions or condensation.

Do not attempt to open or modify the charger's case.

Do not let objects or liquids penetrate the charger's cooling vents.

The charger may get hot during use. Use the charger in a well ventilated area, away from people and electrically conductive or inflammable materials.

If the battery has suspicious reactions during the charge or discharge, such as overheating, venting or leaking, immediately disconnect the battery and store it in a safe location, away from people and inflammable materials.



NIMH BATTERY

IMPORTANT: To prevent battery from leaking, overheating or exploding, carefully follow these warnings! Misuse of battery may lead to leakage, heat generation or explosion. Battery may become hot during use. Battery temperature may exceed 80C (175F) even under normal operation and may cause burns or alter the shape of some materials.



- Failure to follow instructions associated with this symbol risks injury or even death!
- If battery liquid enters the eye, immediately flush continuously with clean running water and seek medical treatment. Serious and permanent eye damage may occur.

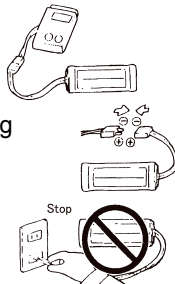
⚠ WARNING

- Failure to follow instructions associated with this symbol risks injury or even death!
- Avoid battery liquid contact with skin and clothing.
If contact occurs, remove contaminated clothing and wash skin thoroughly with water.

Before Use: Read and understand the battery and charger operating instructions before recharging.

⚠ DANGER

- ONLY use genuine charger unit for recharging brand NiMH batteries.
- ENSURE polarity is correct when plugging a battery into the charger unit.
- NEVER plug a battery directly into household outlets or cigarette lighters in cars!



⚠ WARNING

- NEVER place a battery into water.
- IF you experience irregular noise, temperature or any leaking from your battery, stop using it immediately!
- KEEP battery away from exposed flame, high temperatures and humidity.

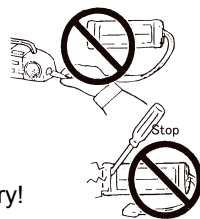


NOTE: Before any use of this battery, ensure that it is fully charged.

During use: Always monitor a battery while it's charging so you can react to any unexpected problems.

⚠ DANGER

- NiMH batteries are ONLY for use in R/C (radio control) models! Do NOT use them for any other purpose!
- NEVER disassemble or modify a battery!



⚠ WARNING

- Do NOT remove or cut the outer tube from battery!
- DISCONTINUE charging immediately if the charge time has been exceeded, even if the battery is not fully charged.



Battery is recyclable. At the end of its useful life, under various national, state or local laws, it may be illegal to dispose of a battery into the municipal waste stream. Check with your local solid waste officials for details in your area for recycling options or proper disposal.

⚠ WARNING

Before using, customers must read information below:

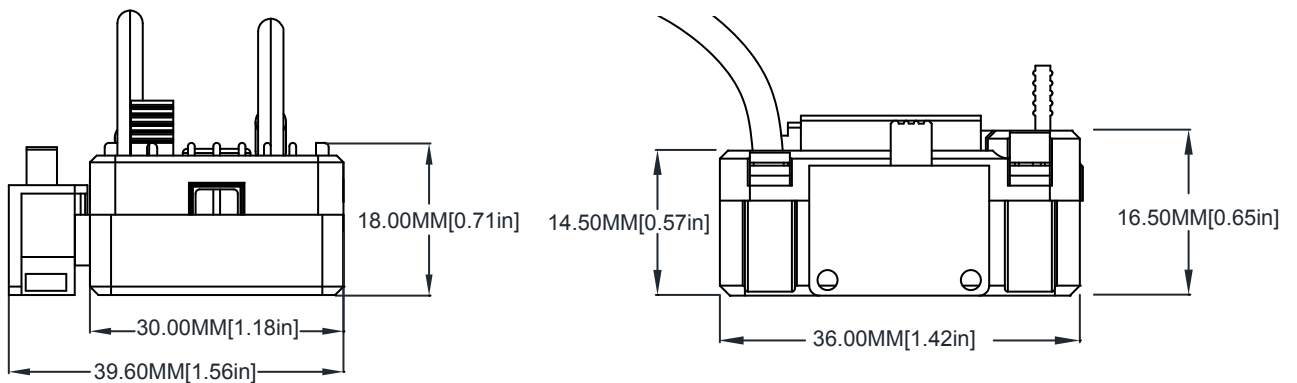
- Use caution when holding the battery. Do not drop or attempt to dismantle the battery or any parts of the battery.
- Do not mix usage of old and new cells or cells of different sizes, different chemistry and/or types in the same battery assembly.
- Do not heat or dispose of battery into fire, water and/or other liquids.
- Do not place the battery into microwave, washing machine and/or drying machine.
- Do not use a damaged battery (such as swollen, deformed, voltage is lower than 0.9V, destroyed, etc.)
- Do not place batteries near heating sources or expose to direct sunlight for long periods. Elevated temperatures may result in reduced battery life cycle.
- Do not short-circuit the battery's positive and negative terminals.
- Do not charge, discharge or store the battery above or below the battery specifications.
- Do not disassemble the battery.
- Before charging battery, ensure polarity is correct.
- Keep battery far away from easily flammable objects and children while charging.
- Do not charge when battery is hot to the touch. Allow battery to cool before recharging.
- Never leave batteries unattended while charging.
- Do not leave battery installed in your model while not in use. Do not charge the battery while installed in models.

RC4WD Outcry III Waterproof ESC

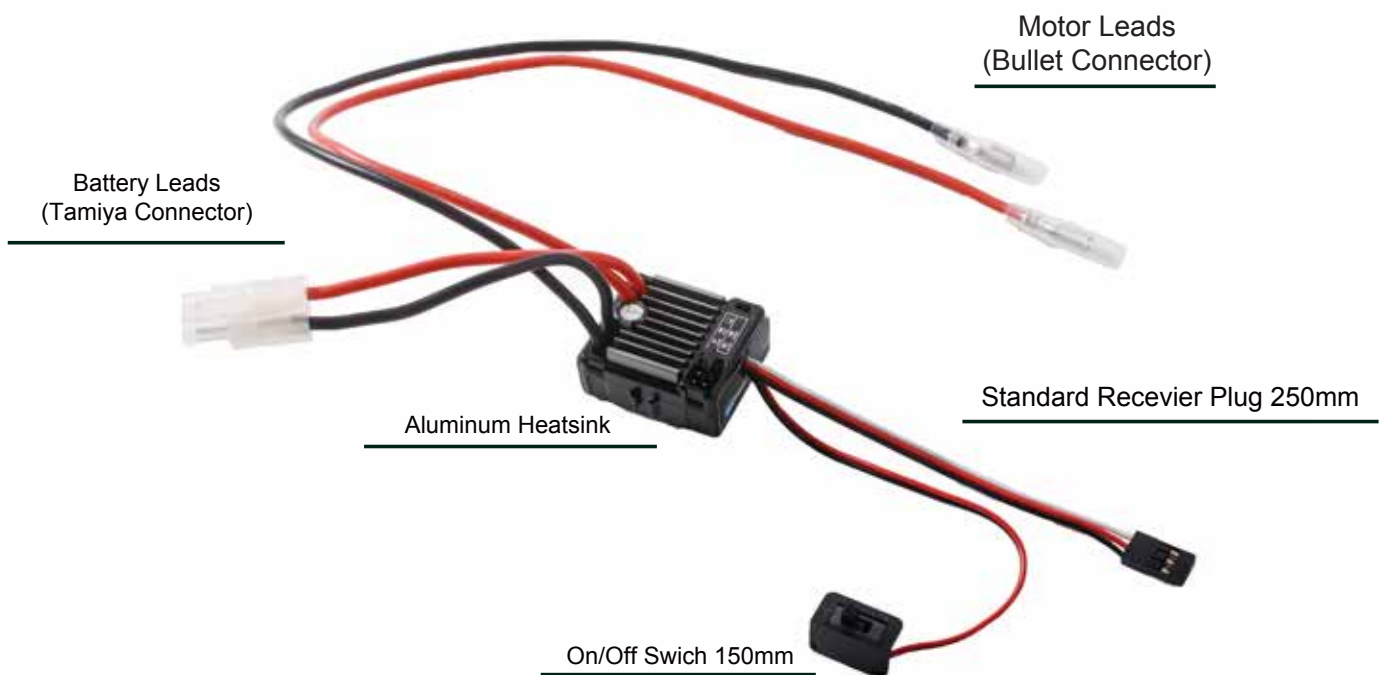
BASIC SPECIFICATIONS

Type		Brushed Motor ESC
Model		Z-E0113
Fwd.Cont. / Peak Current Rev.Cont. / Peak Current		60A/360A 30A/180A
Voltage Range		2-3S Lipo or 5-9 NiMH
Cars Applicable		1/8:Touring Car, Buggy,Short Course Truck, Monster, Truggy, Rock Crawler and Tank
Motor Limit *	2S Lipo or 6 NiMH	540,550,775 Size Motor: $\geq 12T$ or RPM < 3000 @7.2V
	3S Lipo or 9 NiMH	540,550,775 Size Motor: $\geq 12T$ or RPM < 3000 @7.2V
	4S Lipo or 12 NiMH	Not Available
Resistance		Fwd 0.001 Ω , Rev 0.002 Ω
BEC Output		3A / 6A (Switch Mode)
Dimension / Weight		36.5x32x18mm / 39 g
Cooling Fan		Without cooling fan
Running Modes		Fwd/Br、 Fwd/Rev/Br、 Fwd/Rev

SIZE SPECIFICATIONS



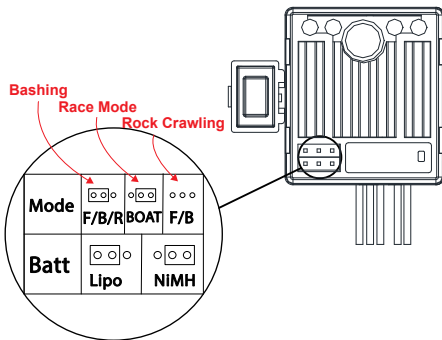
OVERVIEW



INSTRUCTIONS

Product Features and Characteristics

I. Battery & Operating mode



FEATURES

- Water-proof and dust-proof, suitable for all-weather conditions.
- Small size with built-in capacitor module.
- Three running modes: Fwd/Br, Fwd/Rev/Br and Fwd/Rev, fits for various vehicles. Note 1: Fwd =Forward, Br=Brake, Rev=Reverse.
- Great current endurance capability.
- Great built-in BEC output capacity.
- Automatic throttle range calibration, easy to use.
- ESC parameters can be easily changed by changing the jumper pins.
- Multiple protections: Low voltage cut-off protection for battery / Over-heat protection / Throttle signal loss protection.

How to Set Parameters

1. Outcry III ESC uses jumper caps to set running mode & battery type.

We suggest users using tweezers or needle-nose pliers to set parameters by plugging / unplugging the jumper cap (as shown in the picture above);

For example, if you want set the battery type to the "LiPo" mode, you only need to plug the jumper cap into left two pins of the battery pin header.

Programmable Items

1. Running Mode: 3 Options (Fwd / Br / Rev, Fwd / Br, Fwd / Rev). The "Fwd / Br / Rev" is the default option. Fwd=Forward, Br=Brake, Rev=Reverse

"Fwd / Br / Rev" mode indicates the vehicle can go forward, backward and brake. This mode uses "Double-click" method to make the vehicle reverse. When moving the throttle Trigger/Stick from the neutral Reverse Position for the 1st time, the ESC begins to brake the motor and the motor slows down but is still running, so the reverse is NOT performed immediately. When the throttle Trigger/Stick is moved to the Reverse Position again, if the motor speed slows down to zero (i.e. stopped), the vehicle will move in reverse. This "Double-click" method prevents reversing immediately when the brake function is frequently used in steering. Therefore, this mode is often used in daily practice.

"Fwd / Br" mode, the vehicle can go forward and brake, but no reversing, so this mode is often used in competitions.

"Fwd / Rev" mode uses "Single-click" method to make the vehicle reverse. When moving the throttle Trigger/Stick from neutral zone to backward zone, the vehicle reverses immediately, so this mode is usually used for rock crawlers.

2. Battery Type: 2 Options (Lipo, NiMH), the "Lipo" is the default option.

Protection Features

1. Low Voltage Cutoff Protection (LVC): If the voltage of battery pack is lower than the threshold for 2 seconds, the ESC will enter protection mode, so the motor speed will be lowered (when voltage is lower than the 1st trigger point) till stopped (when voltage is lower than the 2nd trigger point). When the car stops, the red LED blinks to indicate the low voltage cut-off protection has been activated.

- 2S Lipo: When the voltage is below 6.5V, the output power will be halved. When the voltage is lower than 6.0V, the output will be cut off and won't be resumed again.

- 3s Lipo: When the voltage is below 9.75V, the output power will be halved. When the voltage is lower than 9.0V, the output will be cut off and won't be resumed again

- 5-9S Lipo: When the voltage is below 4.5V, the output power will be halved. When the voltage is lower than 4.0V, the output will be cut off and won't be resumed again.

2. Over-heat Protection: When the internal temperature of the ESC is higher than 100 degrees Celsius, or 211 degrees Fahrenheit, this protection will be activated and the output power will be reduced until cut off. The RED LED blinks when the vehicle stops, and the ESC will not resume output power until its temperature is below 80 Celsius degrees or 176 degrees Fahrenheit.

3. Throttle signal loss protection: The ESC will cut off the output power if the throttle signal has been lost for 0.1 second. The "Fail-Safe" function of the radio system is strongly recommended to be activated.

IMPORTANT NOTES

1. Prior to proceeding, be sure to either remove the pinion from the motor or elevate the truck so the wheels are not able to touch the ground.

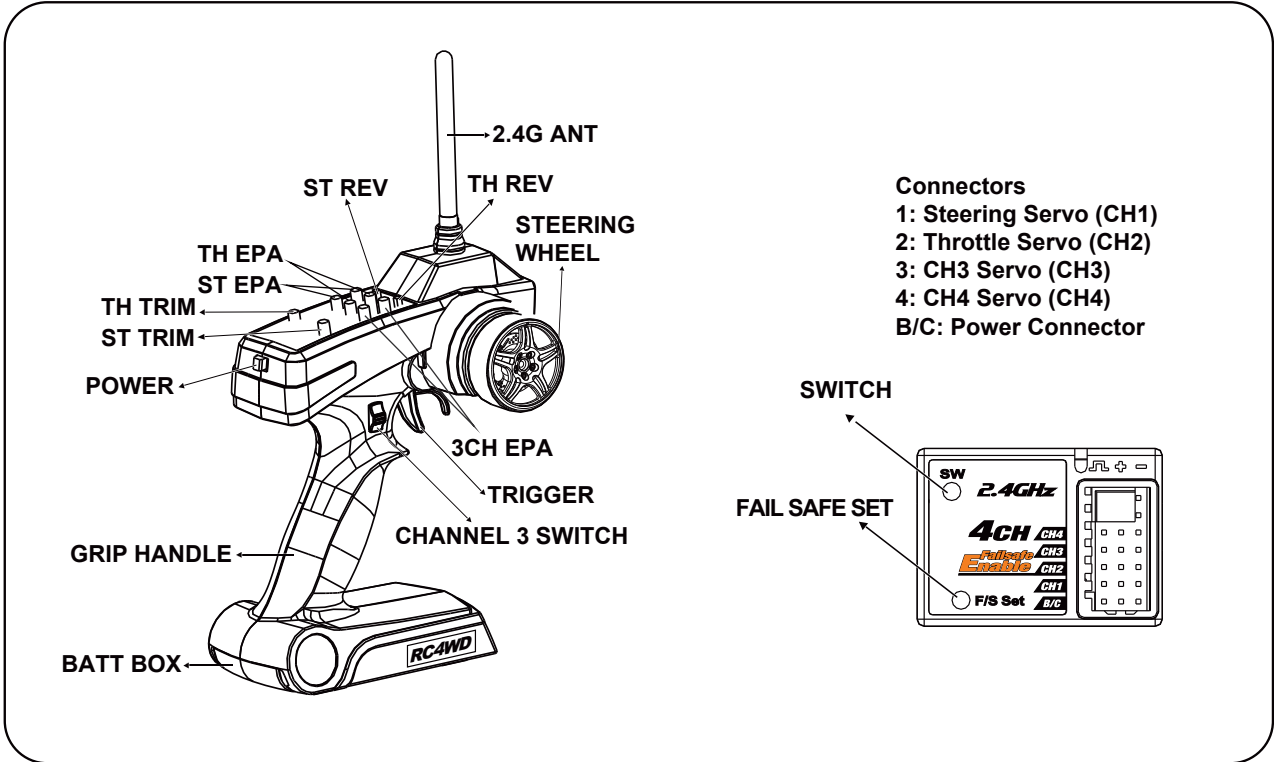
2. Do not touch this product while in use to avoid injury. Product emits heat and thus, the heatsink may become extremely hot.

3. This product is waterproof. Product will be functional in up to 10cm of water for 2 hours.

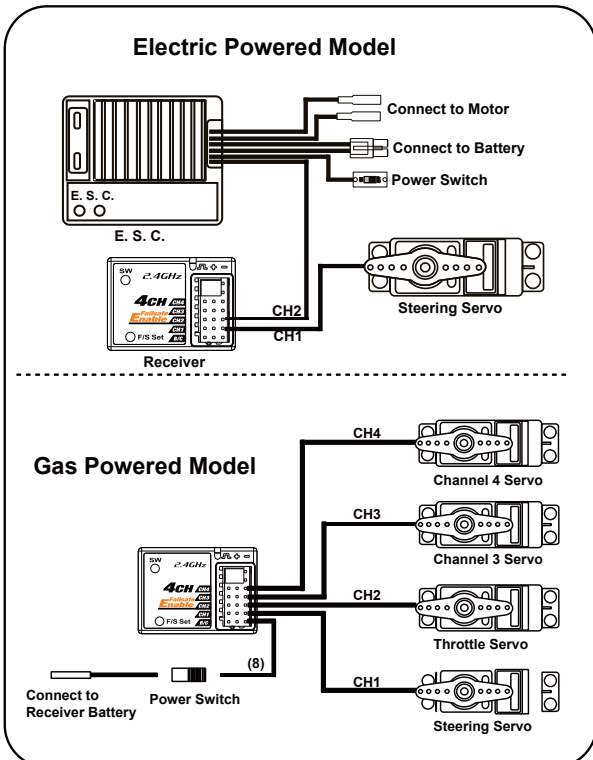


3CH Transmitter / Radio

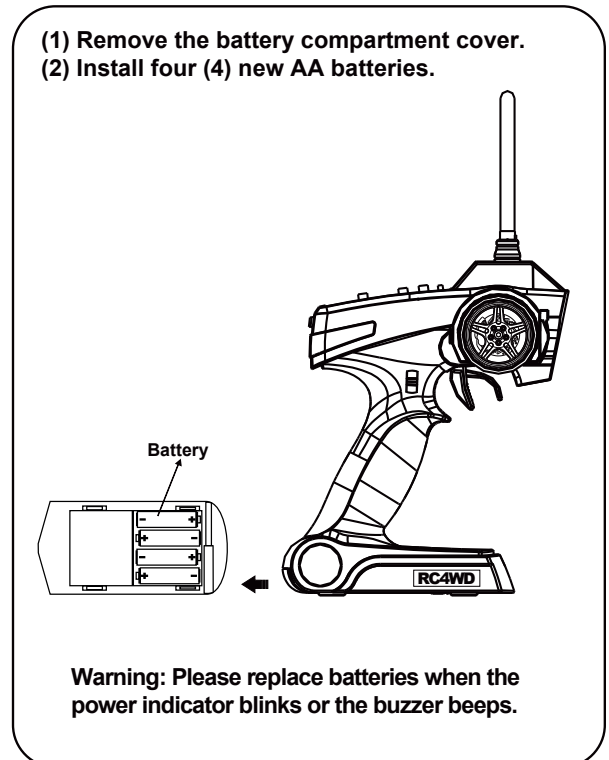
Step 1. Transmitter and Receiver Overview



Step 2. Receiver and Servo Connection



Step 3. Installing the Batteries

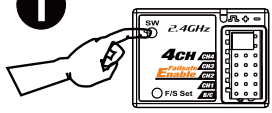




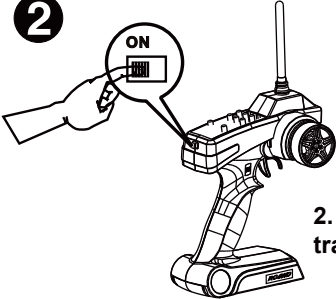
3CH Transmitter / Radio

Step 4. Binding the Transmitter and Receiver

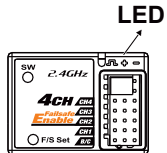
- 1**



1. Turn on the receiver power. Press the SW switch. The receiver's LED should start flashing.
- 2**



2. Turn on the transmitter.
- 3**



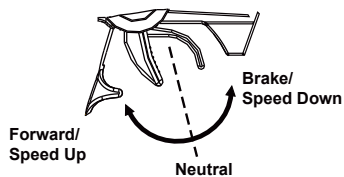
3. When the LED on the receiver becomes solid, the binding process is completed.

Step 5. Fail Safe Function Settings

1. Set the TH, ST switches to the norm position.
2. Turn on the transmitter and receiver.
3. Press the F/S SET button, the LED on the receiver should start flashing rapidly.
4. Put the throttle trigger in the break position, press the F/S SET button. The LED should become solid.
5. For Electric Model, put the throttle trigger in the stop position when you are adjusting the setting.

Step 6. Transmitter Adjustments

A. Throttle Trigger

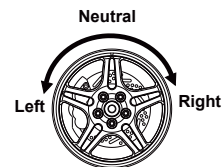


1. Push the trigger forward to slow down brake.
2. Pull the trigger backward to accelerate.

WARNING: 1) Keep the transmitter and receiver 40cm apart when operating.

2) Do not operate the radio system when the battery power is low.

B. Steering Wheel

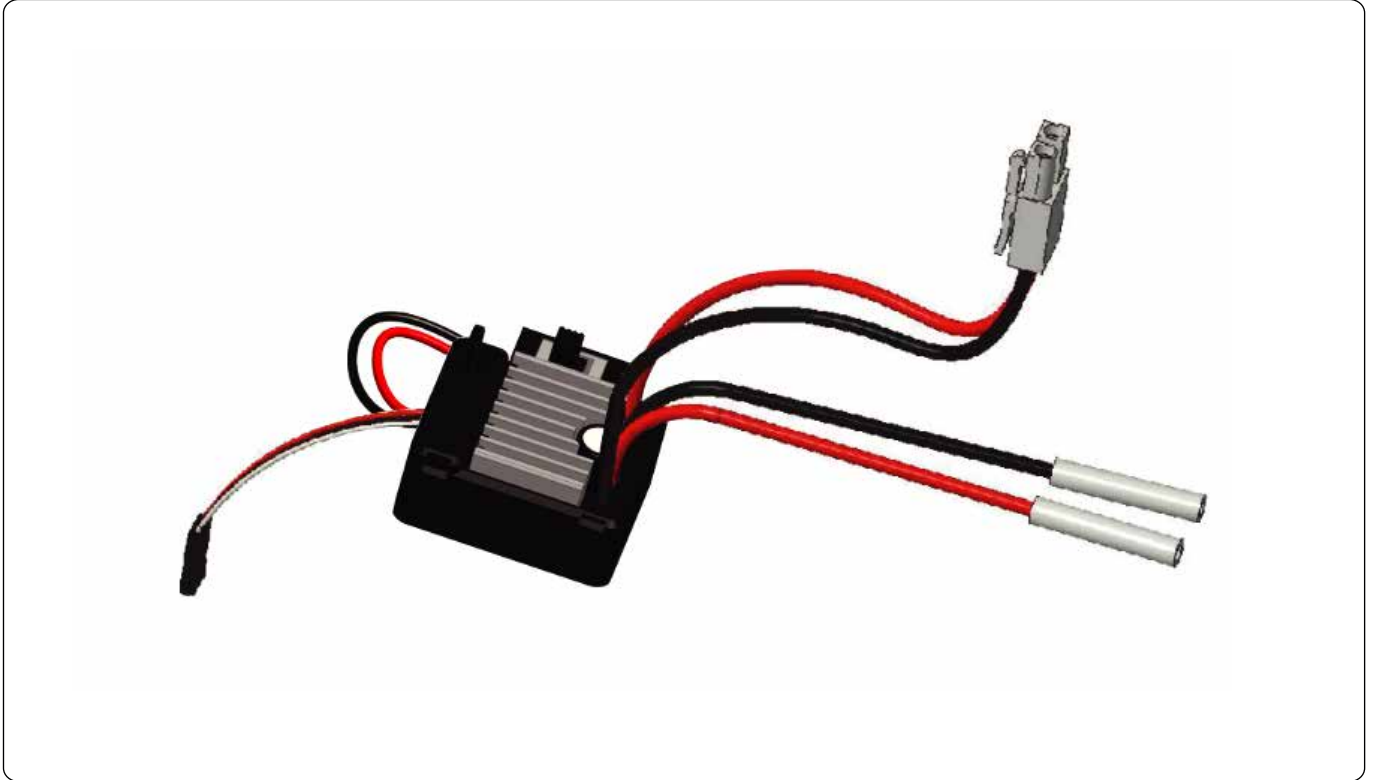


Turn the steering wheel to the left or right to let the vehicle turn left or right.

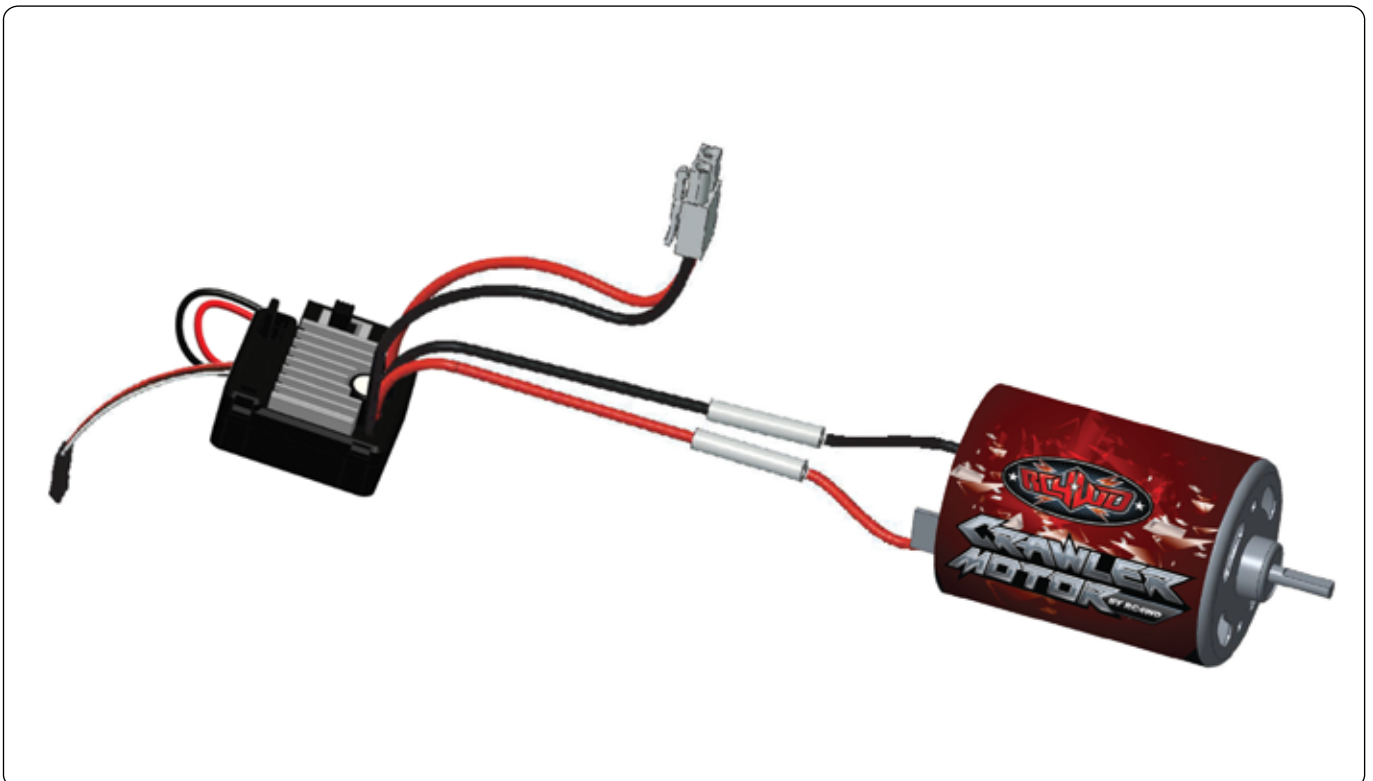
C2X Class 2 Competition Truck w/ Mojave II 4 Door Body Manual

This is a step by step overview of your new C2X RTR Truck electrical items and how they connect.

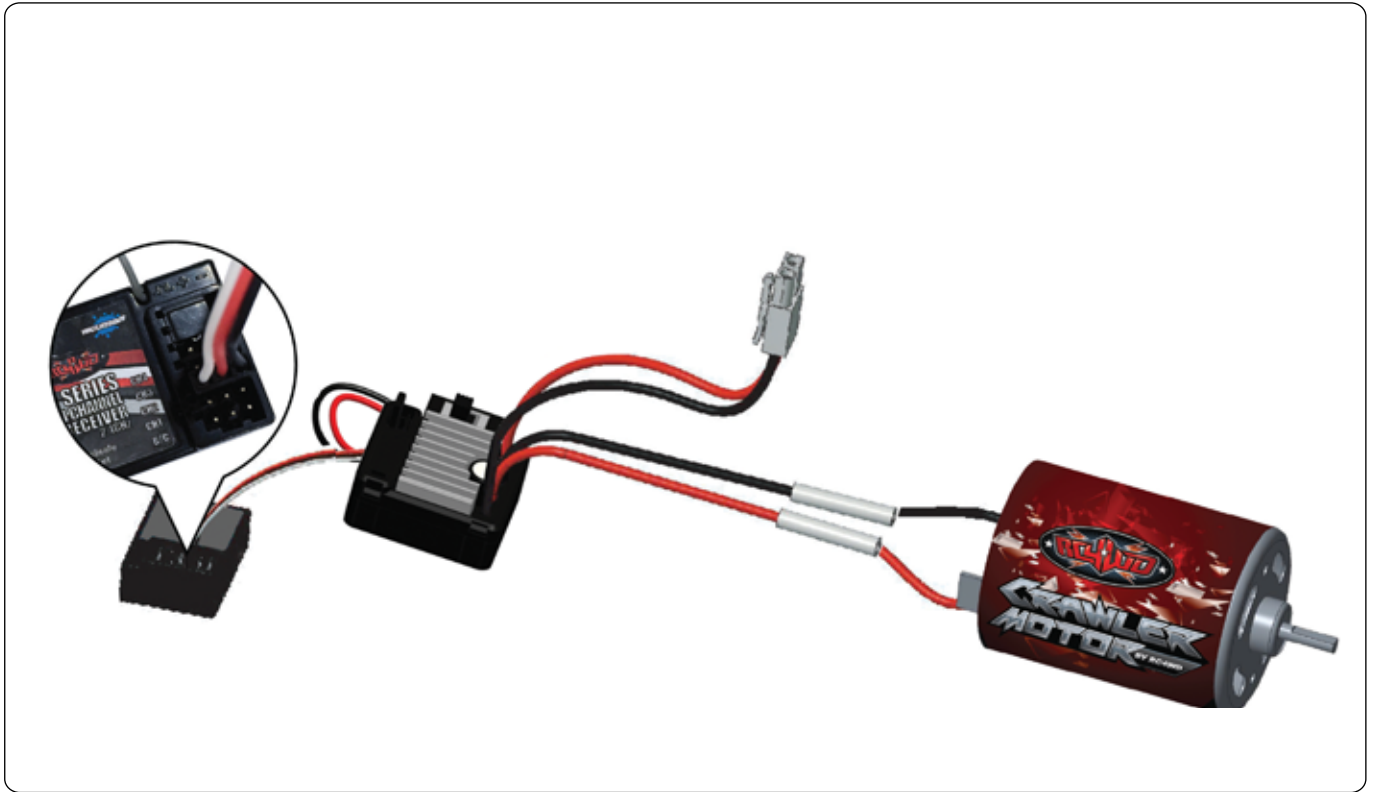
1. Outcry III Waterproof ESC (Z-E0113)



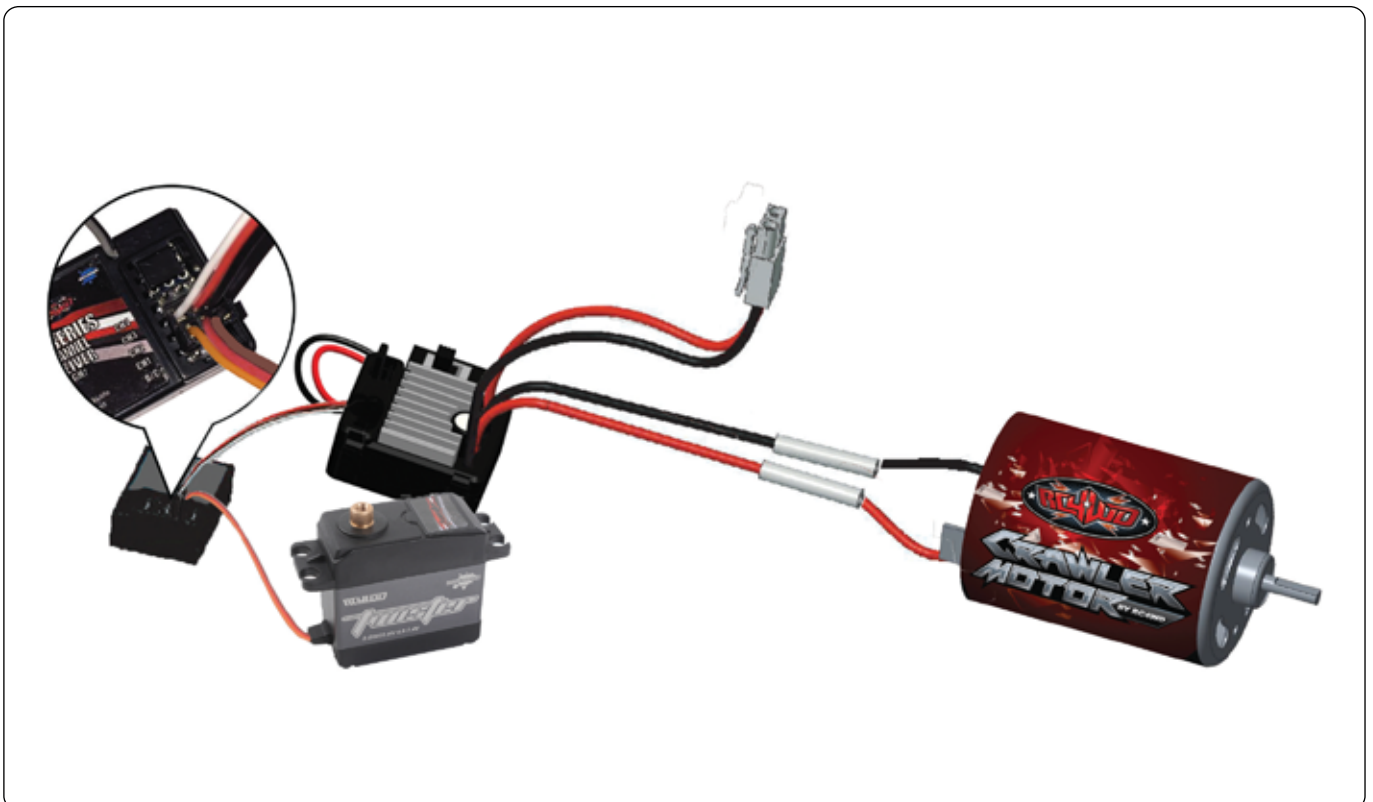
2. Shows the ESC connected to the Brushed 35T Crawler Motor (Z-E0005)



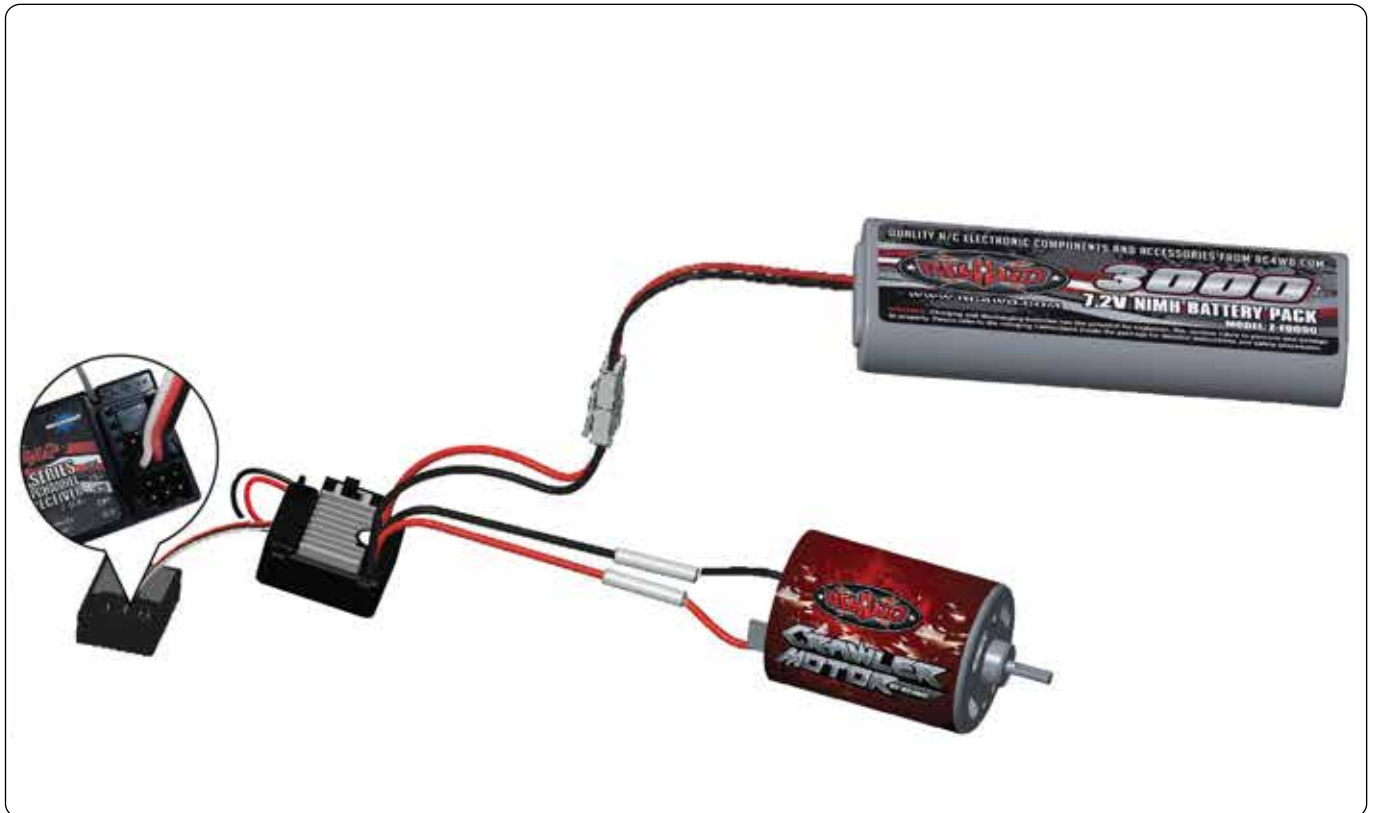
3. This shows the ESC to radio's receiver (Z-R0008) connected to the CH2 port



4. Connect the servo (Z-E0035) to the radio's receiver Channel 1 (CH1)
This controls the truck's steering from the radio



5. Shows the battery (Z-E0090) connected to the ESC



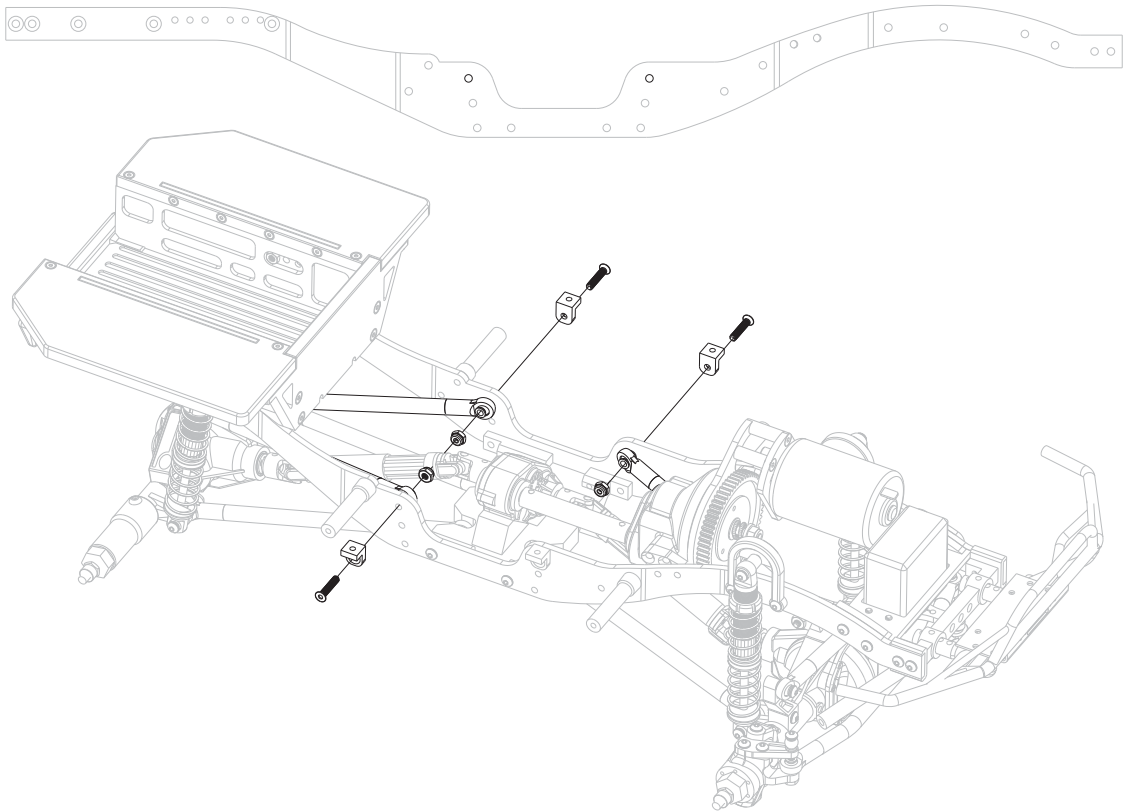
6. This final step shows all the items as they are connected on the truck



R4WD

Step 1


*How to adjust the upper links.



R4WD

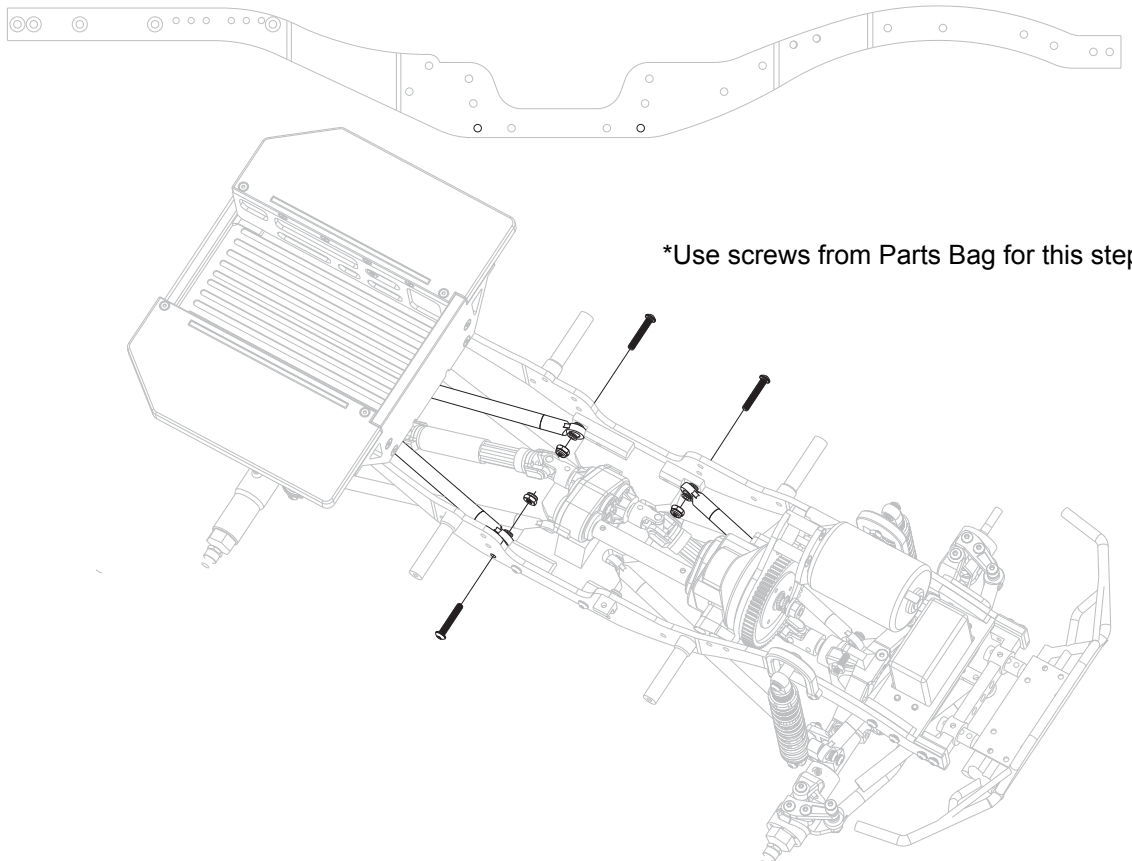
Step 2

*How to install the links on the lowest position.

 X3
150-0064
M3 x 12mm BHCS

 X3
Z-S0629
M3 Nuts NYLOCK

*Use screws from Parts Bag for this step



R4WD

Step 3

*How to re-install
the battery tray.



X3

150-0101

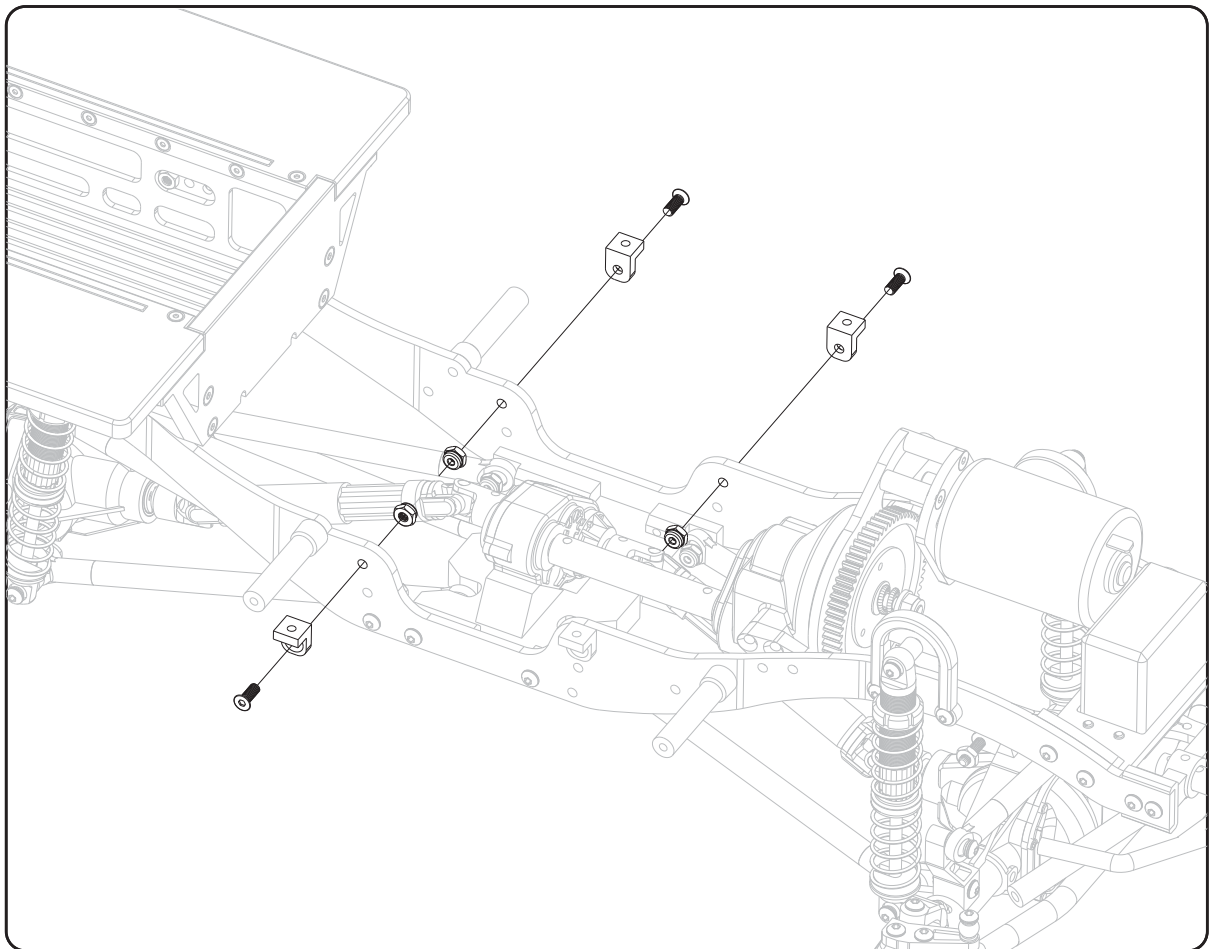
M3 x 10mm FHCS



X3

Z-S0629

M3 Nuts NYLOCK



R4WD

Step 4

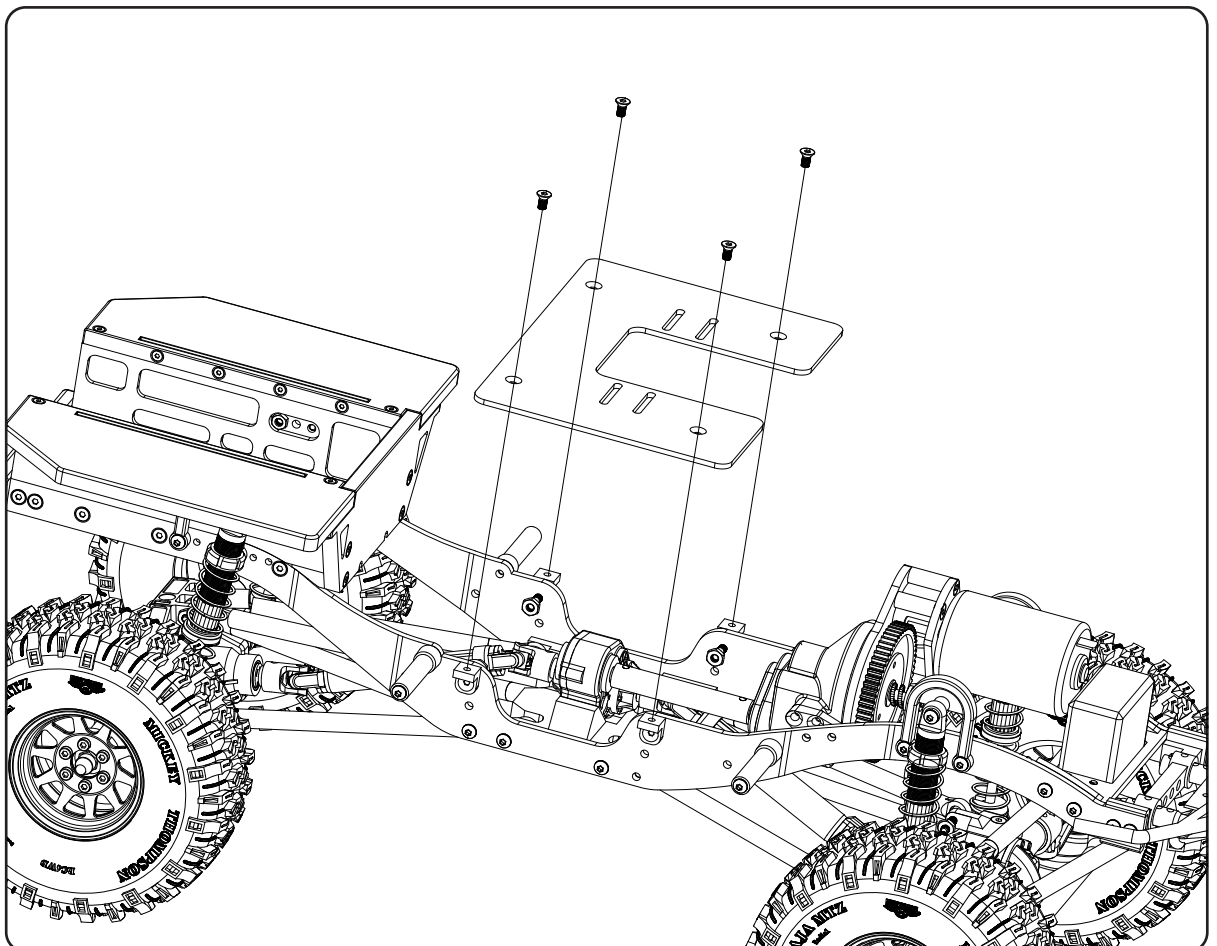
*How to re-install
the battery tray
continued...



X4

Z-S0648

M3 x 6mm FHCS



RC4WD

Step 5

*How to adjust the rear shock hoops.



X2

150-0062

M3 x 8mm BHCS



X1

150-0067

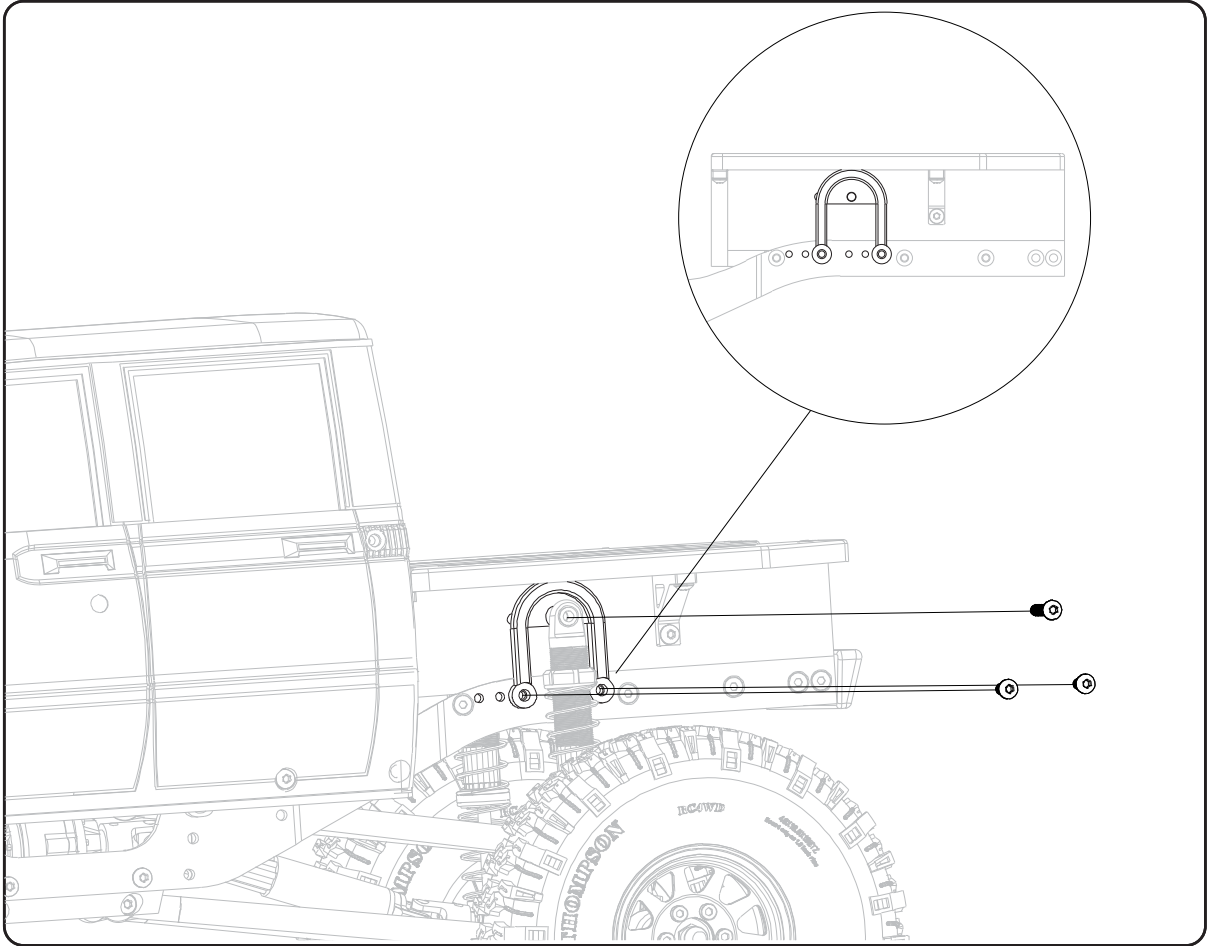
M3 x 18mm BHCS



X4

350-0020

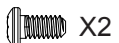
2mm Spacer



RC4WD

Step 6

*How to adjust the rear shock hoops, continued...



X2

150-0062

M3 x 8mm BHCS



X1

150-0067

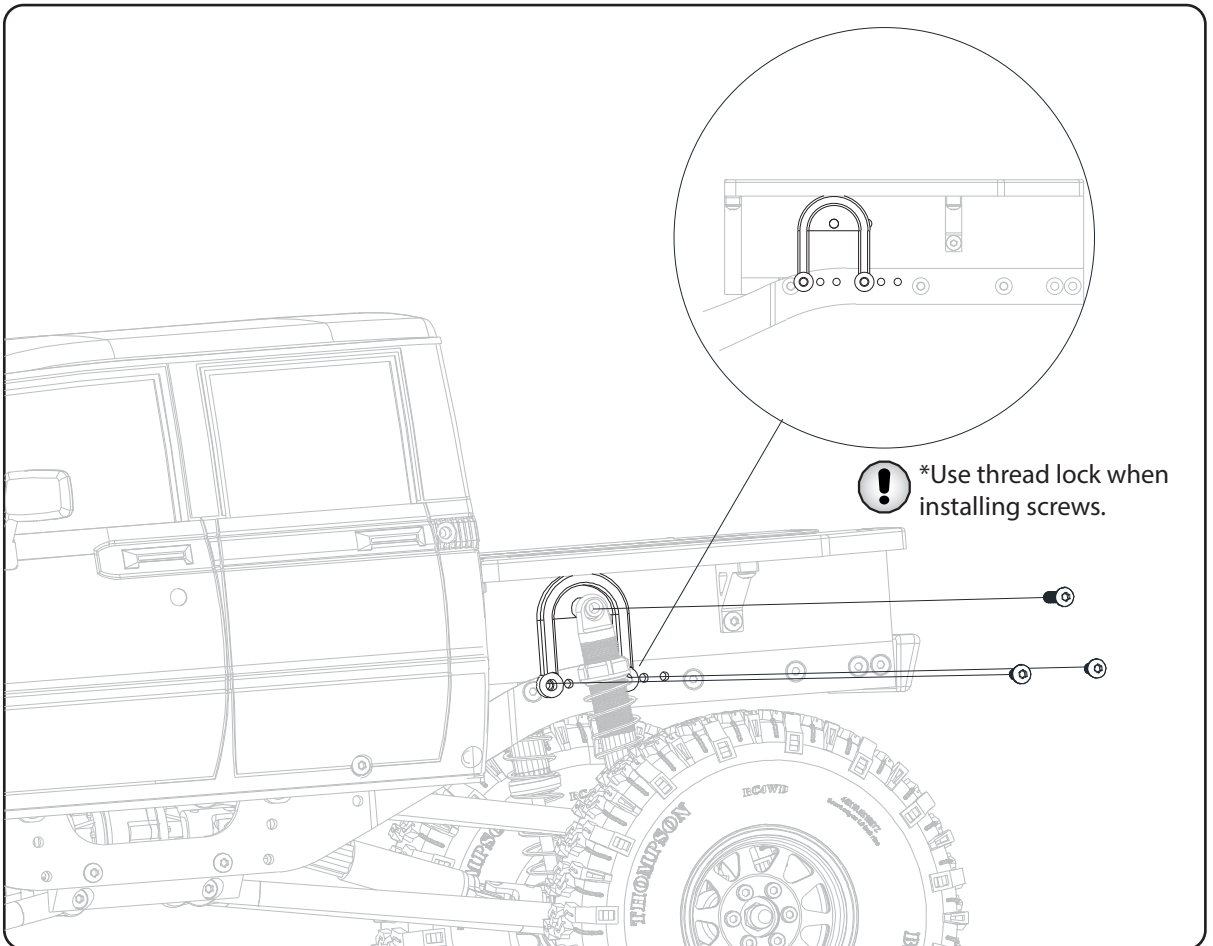
M3 x 18mm BHCS



X4

350-0020

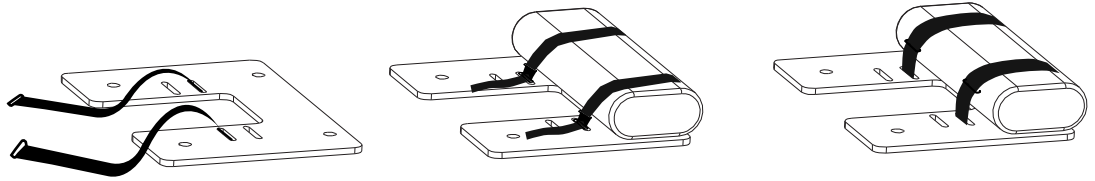
2mm Spacer



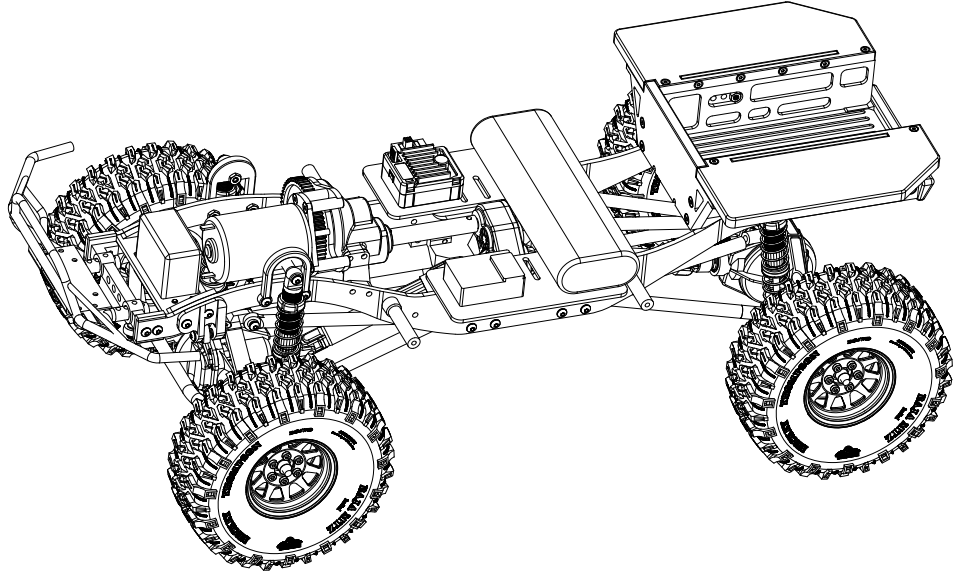
R4WD

Step 7

*How to install the battery straps.




*Two slots allow for large and small batteries to be strapped into place

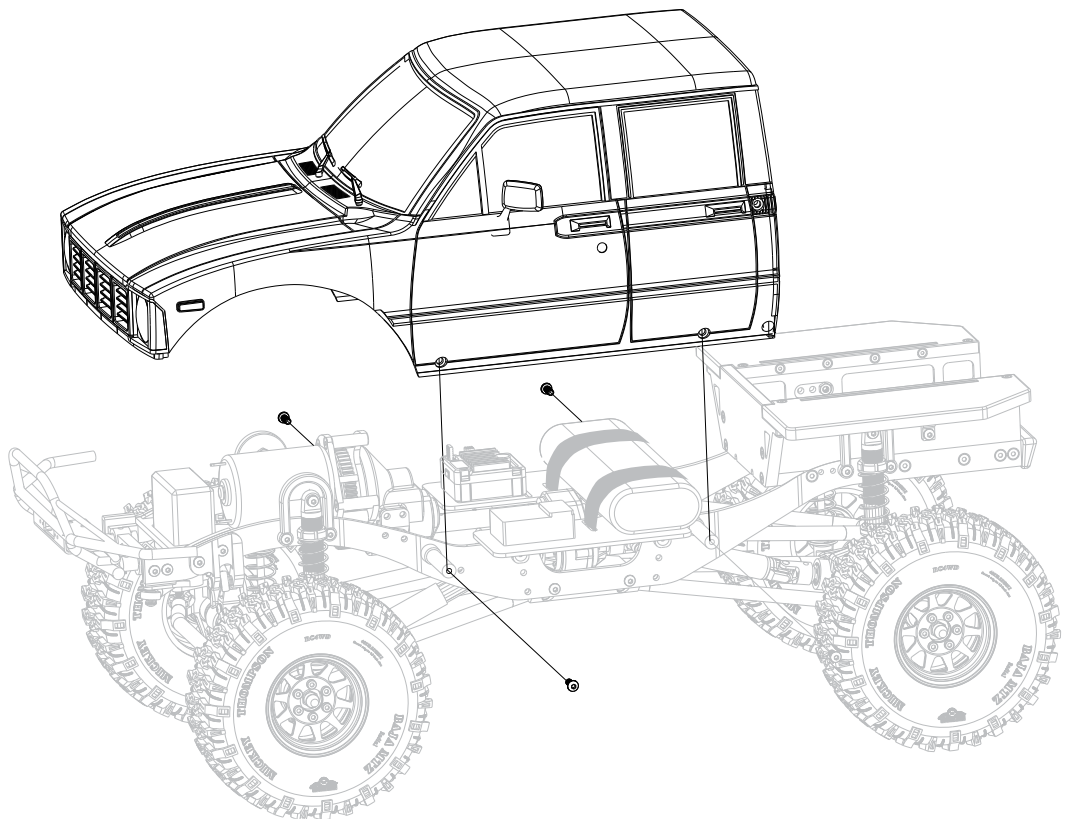


R4WD

Step 8

*How to install the main cab.

 X2
150-0062
M3 x 8mm BHCS



Replacement Parts

Z-A0104	RC4WD D44 Plastic Complete Front Axle
Z-A0106	RC4WD D44 Plastic Complete Rear Axle
Z-U0028	R3 Scale Single Speed Transmission
Z-U0024	Hammer Transfer Case
Z-D0052	RC4WD Rock Krawler RRD Emulsion Scale Dual Spring Shocks (90mm)
Z-S0594	RC4WD Marlin Crawler Front Plastic Tube Bumper for Trail Finder 2
Z-R0009	Change to 3 channel XR 3
Z-E0005	RC4WD 540 Crawler Brushed Motor (35T)
Z-E0113	Outcry III Waterproof ESC
Z-E0035	Twister High Torque Metal Gear Digital Servo
Z-S0822	Heavy Duty Metal Servo Arm 25t Futaba
Z-S1378	RC4WD M3/M4 Plastic Short Rod Ends
Z-S1811	Ultra Punisher Shafts (93.7mm - 115mm / 3.69" - 4.53") 5mm Hole
Z-S1718	RC4WD AA Batteries
Z-E0090	RC4WD 6-Cell 3000mAh NIMH Battery Pack
Z-E0106	RC4WD Universal NIMH Peak Battery Charger
Z-W0210	OEM Stamped Steel 1.9" Beadlock Wheels (Black)
Z-T0123	RC4WD Mickey Thompson 1.9" Baja MTZ P3 4.6" Scale Tires
Z-B0029	Trail Finder 2 Plastic Body Posts
Z-B0120	Mojave II Four Door Complete Body Set
Z-B0122	RC4WD Mojave II Cab Back Panels and Grill Parts Tree (Primer Gray)
Z-B0078	RC4WD Mojave II Clear Parts Tree
Z-B0076	RC4WD Mojave II Chrome Bumper and Parts Tree
Z-B0080	RC4WD Mojave II Dash and Wiper Parts Tree (Black)
Z-B0199	RC4WD Marlin front light
Z-B0198	RC4WD Marlin Grill parts
Z-B0082	RC4WD Mojave II Rubber Mirror
Z-B0121	RC4WD Mojave II 4 Door Clear Lexan Windshield
Z-S0589	RC4WD Mojave II Face mount
Z-B0111	Mojave II Decal Sheet
Z-B0144	RC4WD Mojave II Four Door Complete Interior w/Metal Details

Accessories available on www.rc4wd.com

Z-A0119	D44 Plastic Front Axle Replacement Parts
Z-A0120	D44 Plastic Rear Axle Replacement Parts
Z-A0112	RC4WD D44 Narrow Rear Axle (SCX10 Width)
Z-B0140	Complete Graphic Decal Set for Mojave II 2/4 Door Body
Z-D0038	RC4WD 90mm Old Man Emu Nitrocharger Sport Shocks by ARB
Z-D0036	RC4WD 80mm Old Man Emu Nitrocharger Sport Shocks by ARB
Z-D0074	RC4WD Bilstein SZ Series 100mm Scale Shock Absorbers
Z-D0072	RC4WD Bilstein SZ Series 80mm Scale Shock Absorbers
Z-D0075	RC4WD Bilstein SZ Series 90mm Scale Shock Absorbers
Z-D0063	RC4WD King Off-Road Dual Spring Shocks (100mm Medium OD)
Z-D0061	RC4WD King Off-Road Dual Spring Shocks (90mm Medium OD)
Z-D0068	RC4WD King Off-Road Dual Spring Shocks for Axial Yeti Front (100mm Medium OD)
Z-D0033	RC4WD King Off-Road Scale Dual Spring Shocks (90mm)
Z-D0031	RC4WD King Off-Road Scale Piggyback Shocks w/Faux Reservoir (100mm)
Z-D0050	RC4WD Rock Krawler RRD Emulsion Scale Dual Spring Shocks (100mm)
Z-D0032	RC4WD Superlift Superide 100mm Scale Shock Absorbers
Z-D0012	RC4WD Superlift Superide 80mm Scale Shock Absorbers
Z-D0015	RC4WD Superlift Superide 90mm Scale Shock Absorbers
Z-E0065	540 Crawler Brushed Motor 20T
Z-E0067	540 Crawler Brushed Motor 27T
Z-E0004	540 Crawler Brushed Motor 45T
Z-E0003	RC4WD 540 Crawler Brushed Motor (55T)
Z-E0002	RC4WD 540 Crawler Brushed Motor (65T)
Z-E0001	RC4WD 540 Crawler Brushed Motor (80T)
Z-E0064	RC4WD 1/10 Baja Designs S8 LED Light Bar (100mm)
Z-E0066	RC4WD 1/10 Baja Designs Squadron Pro LED Lights
Z-E0075	RC4WD 1/10 Warn 8274 Winch
Z-E0069	RC4WD 1/8 Warn Zeon 10 Winch
Z-E0093	RC4WD 4 Channel Wireless Remote Light Controller
Z-E0105	RC4WD Baja Designs Arc Series Light Bar (124mm)
Z-E0045	RC4WD Brushed 35T Boost Rebuildable Crawler 540 Motor
Z-E0041	RC4WD Brushed 45T Boost Rebuildable Crawler 540 Motor
Z-E0059	RC4WD KC HiLiTES 1/10 C Series High Performance LED Light Bar (100mm/4")
Z-E0095	RC4WD KC HiLiTES 1/10 C Series High Performance LED Light Bar (120mm/4.72")
Z-E0052	RC4WD KC HiLiTES 1/10 C Series High Performance LED Light Bar (20MM/0.75")
Z-E0054	RC4WD KC HiLiTES 1/10 C Series High Performance LED Light Bar (40mm/1.5")
Z-E0076	RC4WD 1/10 Baja Designs S8 LED Light Bar (120mm)
Z-E0063	Twister Ultimate High Performance Waterproof Servo
Z-S0774	1.9"/2.2" 6 Lug Steel Wheel Hex Hub +3 Offset
Z-S0779	1.9"/2.2" 6 Lug Steel Wheel Hex Hub +6 Offset
Z-S0780	1.9"/2.2" 6 Lug Steel Wheel Hex Hub +9 Offset
Z-S0530	1.9"/2.2" 6 Lug Steel Wheel Hex Hub with Brake Rotor
Z-S0930	1/10 Hilux 4WD Emblem Set for Mojave and Hilux Body
Z-S0452	Boulder Metal Scale Shovel with D-Grip (Wood)
Z-S0588	Chubby 6 TON Scale Jack Stands
Z-S0731	Chubby Mini 3 TON Scale Jack Stands
Z-S0971	D44 Rear Axle Upper Link Mount (Black)
Z-S0972	D44 Rear Axle Upper Link Mount (Gun Metal)
Z-S0182	Heavy Duty Metal Servo Arm for Futaba Type Servo (Black)

Z-S0040 Jammer Tow Hook (Style B)
 Z-S0354 Jammer Tow Hook (Style B) (Silver)
 Z-S0772 King Kong Mini Tow Shackle with Mounting Bracket
 Z-S0093 King Kong Tow Shackle
 Z-S0276 Offroad 1/10 Scale Sand Ladders
 Z-S0233 Pintle hook & lunette ring
 Z-S0362 Punisher Shaft for Axial Wraith (106mm - 140mm / 4.17" - 5.51") 5mm Hole
 Z-S0238 RC4WD 12mm Axle Wheel Hex Set
 Z-S0778 RC4WD Marlin Crawler Front Steel Tube Bumper for Trail Finder 2
 Z-S0612 RC4WD MAXTRAX Vehicle Extraction and Recovery Boards 1/10 (Safety Orange) (2)
 Z-S0699 RC4WD N-Fab Roof Mounting Light Bracket for Mojave 2/4dr
 Z-S0246 RC4WD Snorkel for Hilux and Mojave Body
 Z-S0986 RC4WD Superlift Adjustable Steering Stabilizer (90mm-120mm)
 Z-S0533 Scale Diamond Plate Aluminum Sheets (2)
 Z-S0209 Scale Steel Punisher Shaft (100mm - 130mm / 3.94" - 5.12") 5mm
 Z-S0826 Scale Steel Punisher Shaft V3 (90.5mm - 110.5mm / 3.56" - 4.35") 5mm Hole
 Z-S0765 Tough Armor Front Tube Bumper w/Winch Mount for Trail Finder 2
 Z-S0839 Tuff Truck Saddle Tool Box for Trail Finder 2
 Z-S0989 XVD Axle Shafts for D44 Narrow Front Axle (SCX10 Width)
 Z-S1302 1/10 Sleeping Mat w/Straps (Black)
 Z-S1300 1/10 Sleeping Mat w/Straps (Green)
 Z-S1658 1/10 Traffic Cones
 Z-S1613 Black Dino 1/10 Aluminum Propane Tank
 Z-S1716 Brass Knuckle Bushings for D44 Axle (8)
 Z-S1783 Chubby 3 TON Scale Scissor Jack
 Z-S1824 Chubby Metal Car Bottle Jack
 Z-S1721 D44 Aluminum C Hub for Plastic D44 Axles
 Z-S1745 D44 Aluminum Diff Cover (Silver)
 Z-S1024 D44 Narrow Front Axle Upper Link Mount (SCX10 Width)
 Z-S1071 D44 Panhard Mount for SCX10 CMS (SCX10 Width)
 Z-S1377 Front Hood and Window Deflector Set for Mojave and Hilux Bodies
 Z-S1765 Garage Series Cooler
 Z-S1766 Garage Series Flashlight Set
 Z-S1682 Heavy Duty Differential Locker
 Z-S1669 M3/M4 Short Straight Aluminum Rod Ends (Black) (10)
 Z-S1663 M3/M4 Short Straight Aluminum Rod Ends (Silver) (10)
 Z-S1665 M3/M4 Short Straight Aluminum Rod Ends (Red) (10)
 Z-S1774 RC4WD 1/10 Hi-Lift Extreme Jack
 Z-S1526 RC4WD 1/10 Hi-Lift Jack
 Z-S1954 RC4WD 1/10 Hi-Lift® Patriot Edition Jack
 Z-S1191 RC4WD 1/10 Jerry Can
 Z-S1571 RC4WD 1/10 Mini Warn 9.5cti Winch
 Z-S1079 RC4WD 1/10 Warn 9.5cti Winch
 Z-S1612 RC4WD 1/10 Wooden Shipping Case
 Z-S1825 RC4WD 12mm Hex Wheel Widener Set (+7mm)
 Z-S1189 RC4WD 90mm Rock Krawler Shock Spring Assortment
 Z-S1317 RC4WD ARB 1/10 Fridge Freezer
 Z-S1607 RC4WD ARB Diff Cover for D44 Axle
 Z-S1618 RC4WD ARB Winch Strap Set
 Z-S1600 RC4WD Ballistic Fabrications D44 Axle Cover
 Z-S1262 RC4WD Foldable Winch Anchor

Z-S1680 RC4WD Large Shovel Winch Anchor
 Z-S1496 RC4WD Marlin Crawler Front Winch Bumper for Trail Finder 2
 Z-S1789 RC4WD Marlin Crawler Front Winch Bumper w/Stinger for Trail Finder 2
 Z-S1831 RC4WD MAXTRAX Vehicle Extraction and Recovery Boards 1/10 (Safety Orange) (2)
 Z-S1833 RC4WD MAXTRAX Vehicle Extraction and Recovery Boards 1/10 (Desert Tan) (2)
 Z-S1835 RC4WD MAXTRAX Vehicle Extraction and Recovery Boards 1/10 (Titanium Grey) (2)
 Z-S1826 RC4WD Safari Snorkel for Mojave II 2/4 Door Body Set
 Z-S1182 RC4WD Shock Cap for Top of Rock Krawler RRD Shocks
 Z-S1092 RC4WD Warn 1/10 Wireless Remote/Receiver Winch
 Z-S1089 RC4WD Wired Winch Control Unit
 Z-S1261 Rebuildable Super Punisher Shaft (100mm - 118mm / 3.94" - 4.65") 5mm Hole
 Z-S1709 Replacement Gear Set for Hammer T-Case
 Z-S1780 Scale Garage Series 1/10 Acetylene Tank and Welding Torch
 Z-S1865 Scale Garage Series 1/10 Chainsaw
 Z-S1814 Scale Garage Series 1/10 Custom Jerry Can
 Z-S1812 Scale Garage Series 1/10 Diesel Jerry Can
 Z-S1804 Scale Garage Series 1/10 Military Jerry Can
 Z-S1808 Scale Garage Series 1/10 Water Jerry Can
 Z-S1816 Scale Garage Series 1/10 Oil Jerry Can
 Z-S1778 Scale Garage Series 1/10 MIG Welder and Gun
 Z-S1779 Scale Garage Series 1/10 Oxygen Tank
 Z-S1740 Scale Garage Series 1/10 Wooden Handle Boulder Flat Shovel w/D-Grip
 Z-S1186 Shock Ball End for Bottom of Rock Krawler RRD Shock
 Z-R0008 RC4WD XR3/XR4 2.4Ghz 4-Channel Receiver
 Z-R0006 RC4WD XR3/XR4 2.4Ghz 4-Channel Receiver
 Z-T0141 RC4WD Michelin X® Force™ XZL™+ 14.00 R20 1.9" Scale Tires
 Z-T0030 Rock Crusher II X/T 1.9" Tires
 Z-T0046 RC4WD Interco Super Swamper 1.9" TSL/Bogger Scale Tire
 Z-T0048 RC4WD Mickey Thompson 1.9" Baja Claw TTC Scale Tires
 Z-T0054 RC4WD Interco IROK 1.9" Scale Tire
 Z-T0113 Compass 1.9" Scale Tires
 Z-T0115 Mud Basher 1.9" Scale Tractor Tires
 Z-T0138 RC4WD Fuel Offroad Mud Gripper 1.9" Tires
 Z-T0149 Attitude M/T 1.9" Scale Tires
 Z-T0156 RC4WD Interco Ground Hawg II 1.9" Scale Tires
 Z-T0175 RC4WD Goodyear Wrangler MT/R 1.9" 4.7" Scale Tires
 Z-T0170 RC4WD Goodyear Wrangler® All-Terrain Adventure 1.9" Tires
 Z-T0167 RC4WD Goodyear Wrangler Duratrac 1.9" 4.75" Scale Tires
 Z-T0158 RC4WD Goodyear Wrangler MT/R 1.9" 4.75" Scale Tires
 Z-W0296 Classic 10-Hole Chrome 1.9" Beadlock Wheels
 Z-W0293 RC4WD Black Rhino Armory Internal Beadlock Deep Dish 1.9" Wheels
 Z-W0294 RC4WD Fuel Zephyr Beadlock Wheels 1.9"
 Z-W0283 RC4WD Yota Narrow Offset 1.9" Beadlock Wheels
 Z-W0122 RC4WD Enforcer 1.9" Beadlock Wheels
 Z-W0274 RC4WD 1911 1.9" Beadlock Wheels
 Z-W0261 RC4WD Ballistic Off Road Rage 1.9" Beadlock Wheels
 Z-W0151 JK 1.9" Scale Beadlock Wheels
 Z-W0249 RC4WD Mickey Thompson MT Metal Series MM-164M 1.9" Wheels
 Z-W0237 RC4WD Mickey Thompson Metal Series MM-366 1.9" Beadlock Wheels
 Z-W0207 Phantom 1.9" Beadlock Wheels
 Z-W0200 RC4WD Fuel Offroad Maverick 1.9" Beadlock Wheels

Z-W0171 Bombshell 1.9" Beadlock Wheels (Black)
 Z-X0049 1/10 Military Storage Box
 Z-X0011 Big Boy Heavy Duty Aluminum Ladder
 Z-X0031 Garage Series Metal Oil Service Cart
 Z-X0033 Scale Garage Series 1/10 Dual Tank Welders Cart
 Z-X0030 Scale Garage Series Metal Handy Cart
 Z-X0050 RC4WD ARB Roof Rack for Mojave II Four Door Body
 Z-X0039 Tough Armor LZR-1 Metal Roof Rack
 Z-G0065 12t 32p Hardened Steel Pinion Gear
 Z-G0068 52T 32P Delrin Spur Gear
 Z-G0064 56T 32P Delrin Spur Gear
 Z-G0048 60t Delrin Spur Gear for AX2 2 Speed Transmission
 Z-G0079 Differential Gear Set for D44 and Axial Axles
 Z-G0070 Internal Gear Set for R3 Single Speed Transmission
 Z-G0080 Heavy Duty Bevel Gear Set 36T/14T
 Z-G0071 Heavy Duty Bevel Gear Set 38T/13T
 Z-G0072 Heavy Duty Bevel Gear Set 43T/13T
 VVV-C0007 1/10 Metal Emblem for Tamiya Hilux
 VVV-C0386 Mountaineer Roof Rack w/Lights for Mojave II Four Door Body Set
 VVV-C0384 Pegasus Roof Rack w/Lights for Mojave II Four Door Body Set
 VVV-C0055 Rear View Mirror for Hilux, Bruiser, and Mojave
 VVV-C0732 Steel Sand Ladder
 VVV-C0033 Truck Antenna for Tamiya Hilux & Bruiser



www.rc4wd.com



RC4WD

720 N. Gateway St.
Visalia, CA 93291

Web: www.rc4wd.com - Email: support@rc4wd.com