

# 广角定焦镜头 YN35mm F2使用说明书

## 感谢您购买永诺产品!

在使用本产品前，请务必先仔细阅读本使用说明书，在充分理解内容的基础上，正确使用。请妥善保管好本说明书，以便日后能随时查阅。

## ⚠️ 安全注意事项

※ 请勿透过镜头或相机观看太阳或明亮的光源。否则会使视力受损。透过镜头直接观看太阳尤其有害。

※ 无论镜头是否安装在相机上，请勿将没有上镜头盖的镜头置于太阳下。否则镜头可能汇聚光线并引发火灾。

## 📄 保养及存放注意事项

※ 应避免撞击或直接放置在酷热、极冷或潮湿的环境下。

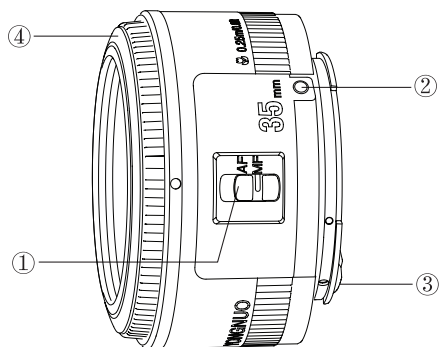
※ 如果长期存放，宜选择阴凉干爽及通风良好的地方。为了保护镜头的加膜层，建议远离防虫丸或防虫丸发出气体的地方。

※ 镜片上的污垢或者指纹可用柔软微湿的镜头布或镜头纸清洁，切勿使用溶剂、苯或其他有机清洁剂。

※ 本镜头并不防水，下雨或者接近水源使用时须特别小心，切勿弄湿。倘若内部机件、镜片及电子零件因弄湿受损，很可能无法维修。

※ 温度突变可能会令镜头表面凝结雾气或水珠，因此在天气寒冷时进入暖和的室内环境，最好将镜头放在密封的塑料袋内，直至镜头温度接近室温为止。将镜头从温暖的环境拿到寒冷的环境中时，也请使用同样的方法。

## 一、部件说明



① 对焦模式开关

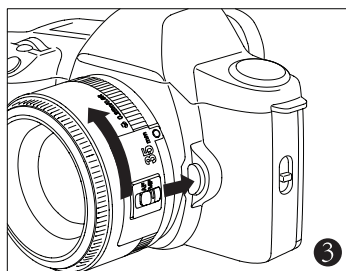
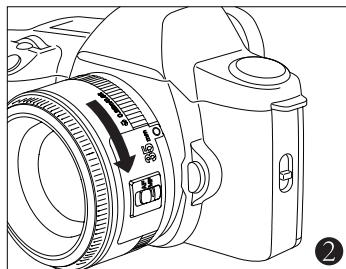
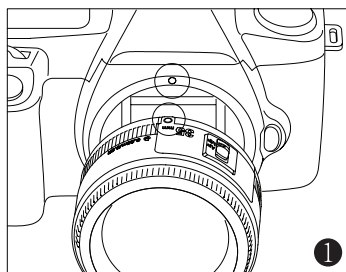
② 镜头安装标记

③ 电子触点

④ 对焦环

## 二、安装和卸下镜头

将镜头上的红色安装标志对准相机上的红色镜头安装标志，然后以顺时针方向旋转镜头，直到听到“咔”的一声为止。如果要卸下镜头则保持按下相机镜头释放按钮，然后将镜头朝逆时针方向旋转直至停止转动为止。（详细安装及卸下镜头的步骤请参阅相机使用说明书）



● 卸下镜头后，请将镜头后端朝上放置，以避免划伤镜头表面和电子触点。

● 如果电子触点被弄脏，划伤或沾有指纹，可能会导致腐蚀或接触不良，并可能导致相机和镜头无法正常工作。如果电子触点被弄脏或沾有指纹，请用柔软的布将其擦净。

● 取下镜头时，需要装上防尘盖。要正确安装防尘盖，将防尘盖上的安装标记对准镜头的红色安装标记，并朝顺时针方向转动。要取下防尘盖，则朝逆时针方向转动。

## 三、设置对焦模式

要在自动对焦（AF）模式下进行拍摄，请将对焦模式开关设置为AF。在手动对焦（MF）模式下进行拍摄，请将对焦模式开关设置为MF，然后转动对焦环进行对焦。

● 启用AF（自动对焦）功能时，请勿触摸镜头的旋转部分。

● 对焦模式开关设置为AF（自动对焦）时，请勿进行手动对焦（MF）。

## 四、滤光镜（选购件）

您可以将一个规格为52mm的滤光镜装在镜头前端的滤光镜安装螺纹上。使用不同滤光镜能拍摄出不同的效果。

## 五、规格

视角范围	对角线	63°
	垂直	38°
	水平	54°
镜头结构	5组7片	
光圈叶片	7片	
最小光圈	f/22	
最近对焦距离	0.25米	
最大放大倍率	0.23倍	
滤光镜直径/可用数目	52毫米/1	
最大直径及长度	约73×59毫米	
重量	约155克	

■ 镜头长度是指从安装面到镜头前端的距离。

■ 除特别说明外，尺寸和重量只适用于镜头。

■ 光圈设置可以由相机指定。

本说明书最新版本可在永诺官方网站[www.hkyongnuo.com](http://www.hkyongnuo.com)获取。

本使用说明书中的功能及数据均是依据本公司的测试条件获得。设计和规格如有变更，恕不另行通知。

本使用说明书中的永诺（YONGNUO）徽标是深圳市永诺摄影器材股份有限公司在中国或/和其他国家（地区）的注册商标或商标。其他所有商标均为其各自所有者拥有。

# YN35mm F2 User Manual

## Thanks for choosing YONGNUO product!

Please read this user manual carefully before use and understand this manual for proper use. Keep this manual properly for reference in the future.

## ⚠ Safety Precautions

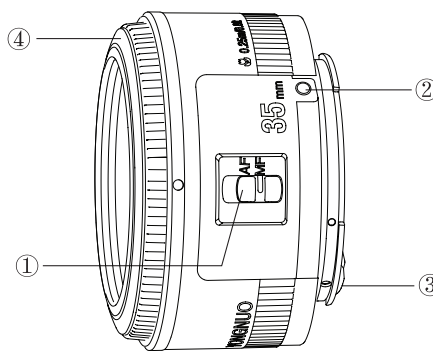
- ✘ Don't view the sun or bright light through the lens or the camera. If not, the vision will be impaired. Viewing the sun through the lens is particularly harmful.
- ✘ Don't place the lens without a lens cover under the sun, no matter whether the lens set on the camera or not. If not, the lens may gather light and cause a fire.

## 📄 Maintenance and Storage

- ✘ Keep this product from striking and avoid placing this product in an extremely hot, extremely cold or humid environment.
- ✘ For long-term storage, it's appropriate to store this product in a dry cold and well-ventilated place. To protect blooming layer of the lens, it's recommended to keep this product away from inset pill or place pervades the smell the inset pill flings off.
- ✘ The dirt and fingerprint on the lens should be cleaned with soft and moist lens cleaning cloth or lens cleaning tissue; do not clean the lens with solvent, benzene or other organic cleansers.
- ✘ This product is not waterproof. Please be careful when you use it in a raining day or nearby water and be sure not to get it wet. If the internal parts, the lens or the electronic components are damaged for this product gets wet, it's quite possibly that this product won't be repaired any longer.
- ✘ Water vapor or water drop may condense on the surface of the lens for temperature jump. Therefore, when the lens is carried into a warm indoor environment from the cold outdoors, it's best to put the lens into a sealed plastic bag till the lens temperature is closed to room temperature. (Vice versa).

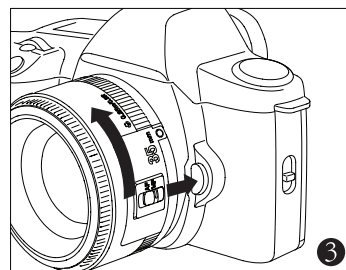
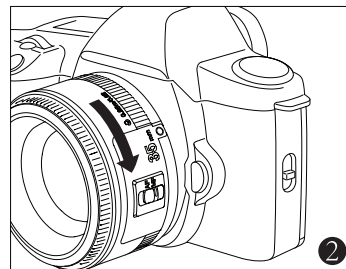
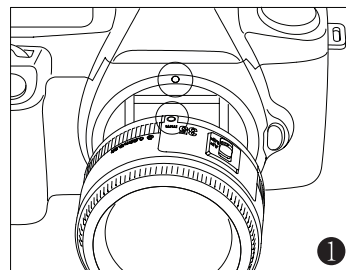
## I. Nomenclature

- ① Focus Mode switch
- ② Lens mounting index
- ③ Electronic contact
- ④ Focusing ring



## II. Lens Mount (Dismount)

Align the red mounting sign on the lens to the red lens mounting sign on the camera, and then rotate the lens clockwise till it clicks. To dismount the lens, rotate it anti-clockwise till it stalls. (For more details about mounting/dismounting lens, please refer to the camera user manual.)



- After the lens is dismounted, please place the back of the lens upwards to keep the surface of the lens and the electronic contact from getting scratched.
- If the electronic contact gets dirty, scratched or fingerprinted, it may lead to corrosion or bad contact.

Camera or lens may not work normally. If the electronic contact gets dirty or fingerprinted, please wipe and clean it with soft cloth.

- When dismounting the lens, please make a dust cover fit on. To mount the dust cover correctly, align the mounting sign on the dust cover to the red mounting sign on the lens, and then rotate it clockwise. To dismount the dust cover, rotate it anti-clockwise.

## III. Setting Focus Mode

In order to shoot in Auto Focus (AF) mode, please set the focus mode switch as AF. In order to shoot in Manual Focus (MF) mode, please set the focus mode switch as MF, and rotate the focusing ring to focus.

- When AF (Auto Focus) function is enabled, please do not touch the rotating part of the lens.
- When the focus mode is set as AF (Auto Focus) mode, please do not manually focus (MF).

## IV. Filter Lens (Optional)

A 52mm filter lens can be set on the filter mounting thread in the front end of the lens. Different filter lenses will create different effects in photographing.

## V. Specification

View-angle Coverage	Diagonal	63°
	Vertical	38°
	Horizontal	54°
Lens Structure	5sets;7 pieces	
Aperture Blade	7 pieces	
Minimum Aperture	f/22	
Minimum Focusing Distance	0.25m/0.8ft	
Maximum Magnification	0.23×	
Filter Diameter/Quantity Available	52mm/1	
Maximum Diameter & Length	About 73×59mm	
Weight	About 155g	

■ Lens length refers to distance from fitting surface to the front end of the lens.

■ Unless otherwise stated, the size and weight are suitable for lens only.

■ Aperture setting can be assigned by the camera.

The latest electronic version of this manual can be got on <http://www.hkyongnuo.com>.

The functions and data in this manual are acquired based on test conditions of our company. Further notice will not be given if the design and specification change.

The YONGNUO logo in this manual includes the registered trademark or trademark of SHENZHEN YONGNUO PHOTOGRAPHY EQUIPMENT CO., Ltd in China or/and other countries (regions). All other trademark are the property of this respective owner.