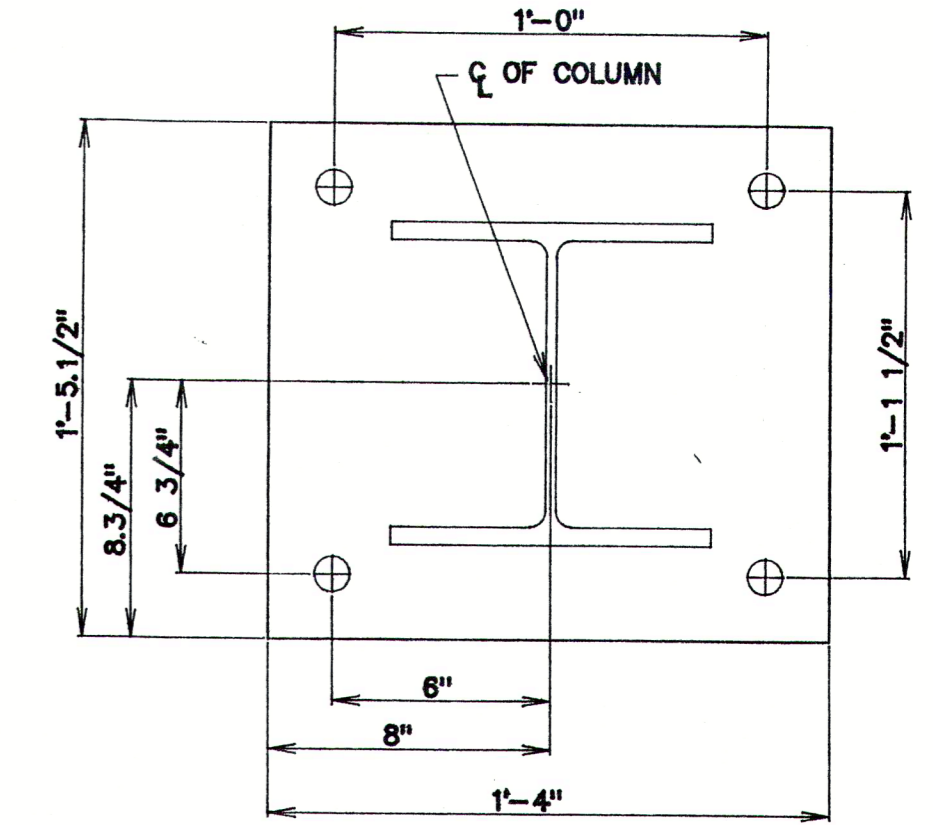


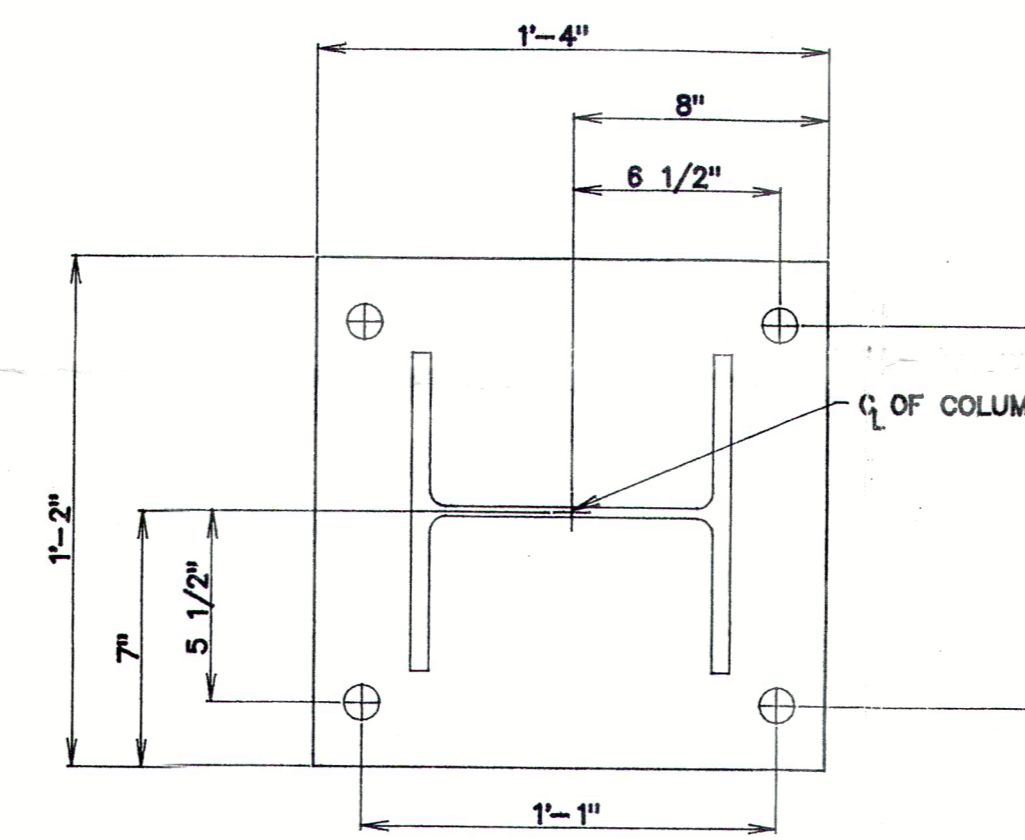
PLANT STATIC LOAD: -9K
 MATERIAL STATIC LOAD: -68K
 WIND LOAD: ± 34K
 HORIZONTAL SHEAR FORCE: 4.5K

DETAIL "A"



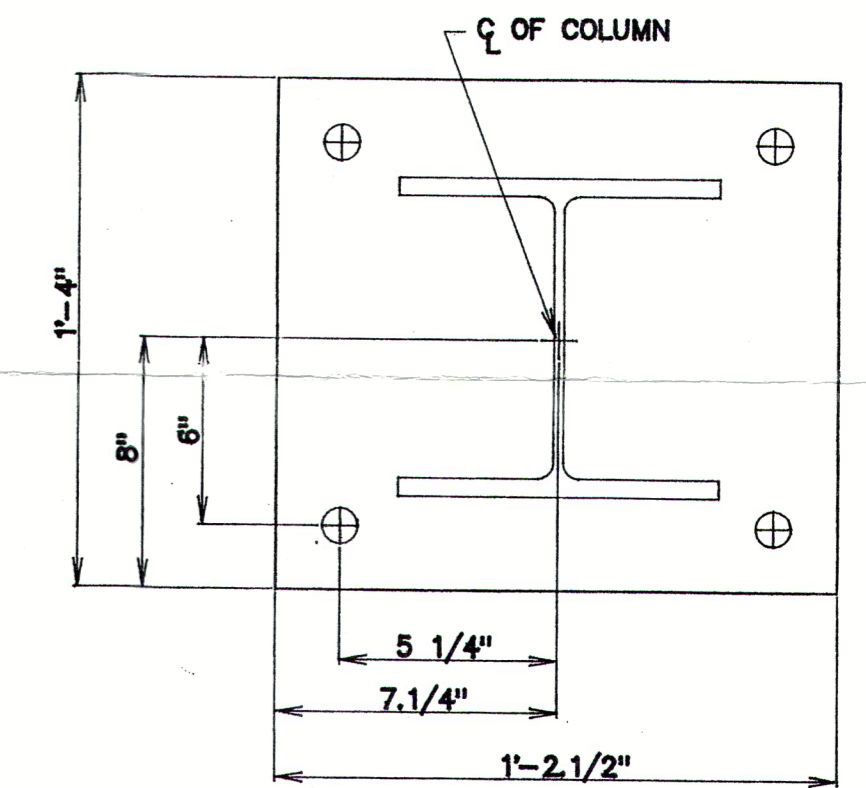
PLANT STATIC LOAD: -12K
 MATERIAL STATIC LOAD: -72K
 WIND LOAD: ± 23K
 HORIZONTAL SHEAR FORCE: 4.0K

DETAIL "B"



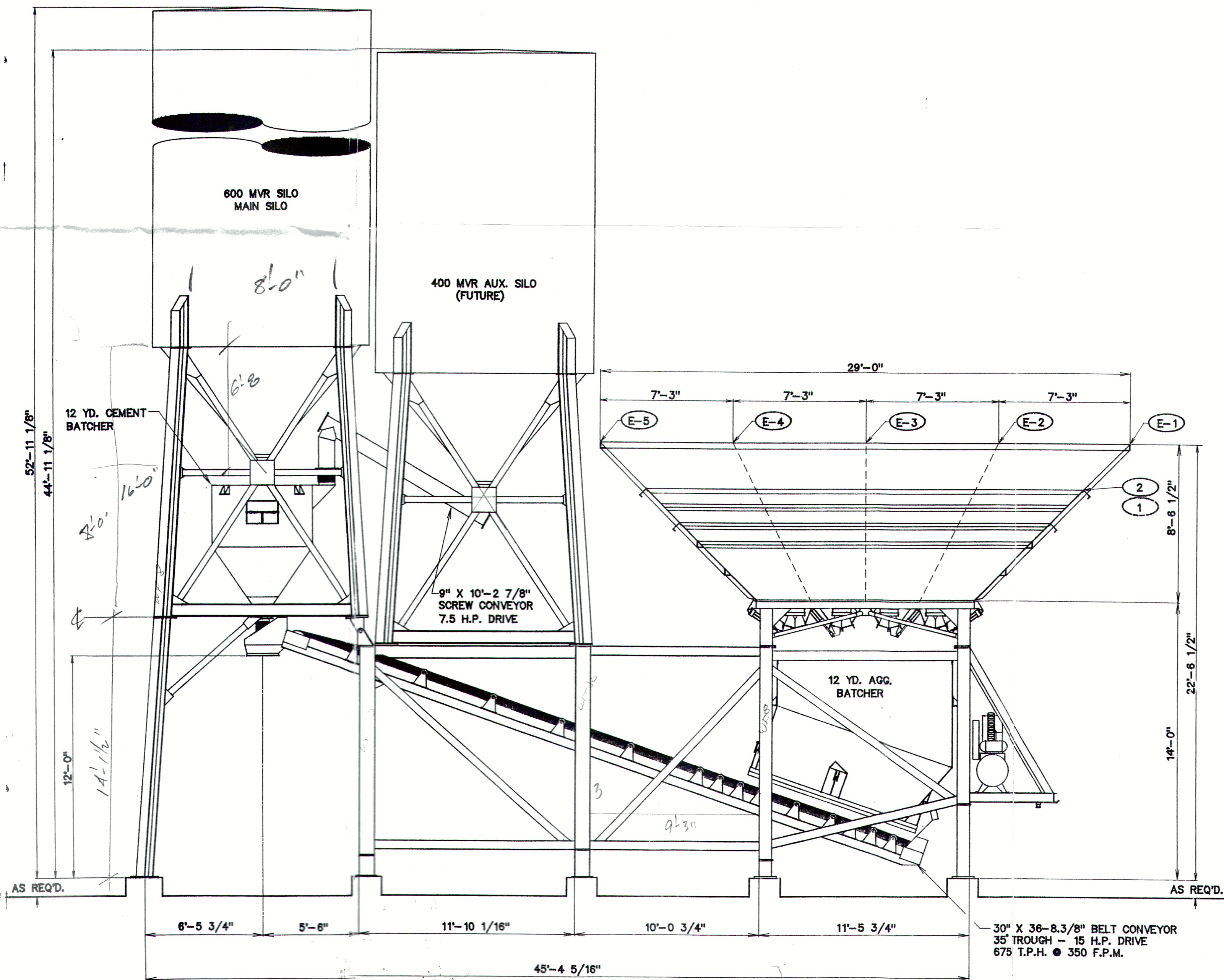
PLANT STATIC LOAD: -6K
 MATERIAL STATIC LOAD: -36K
 WIND LOAD: ± 17K
 HORIZONTAL SHEAR FORCE: 2K

DETAIL "C"



PLANT STATIC LOAD: -12.5K
 MATERIAL STATIC LOAD: -68K
 WIND LOAD: ± 21K
 HORIZONTAL SHEAR FORCE: 5.0K

DETAIL "D"



1/4" scale

Dealer: _____ P.O.# _____
 Customer: _____
 Approved by: _____
 Title _____ Date: _____

Production of equipment will not begin until approved drawings are received by Ross Company.

REVISED PRINT
 DESTROY ALL PREVIOUS COPIES
 DATE 6-30-93

ROSS
COMPANY
BROWNWOOD, TEXAS

THIS DRAWING IN DESIGN AND DETAIL IS OUR PROPERTY AND MUST NOT BE USED EXCEPT IN CONNECTION WITH OUR WORK. ALL RIGHTS OF DESIGN OR INVENTION ARE RESERVED. DIMENSIONS AS INDICATED. DO NOT SCALE.

SCALE	NTS	REVISIONS	BY	DATE
DATE	6-24-93			
DRW	JH	1615793		
AP'VD				

TITLE: BASE PLATE LAYOUT FOR BOSS WITH 600 MVR SILO

NO. 675-15937