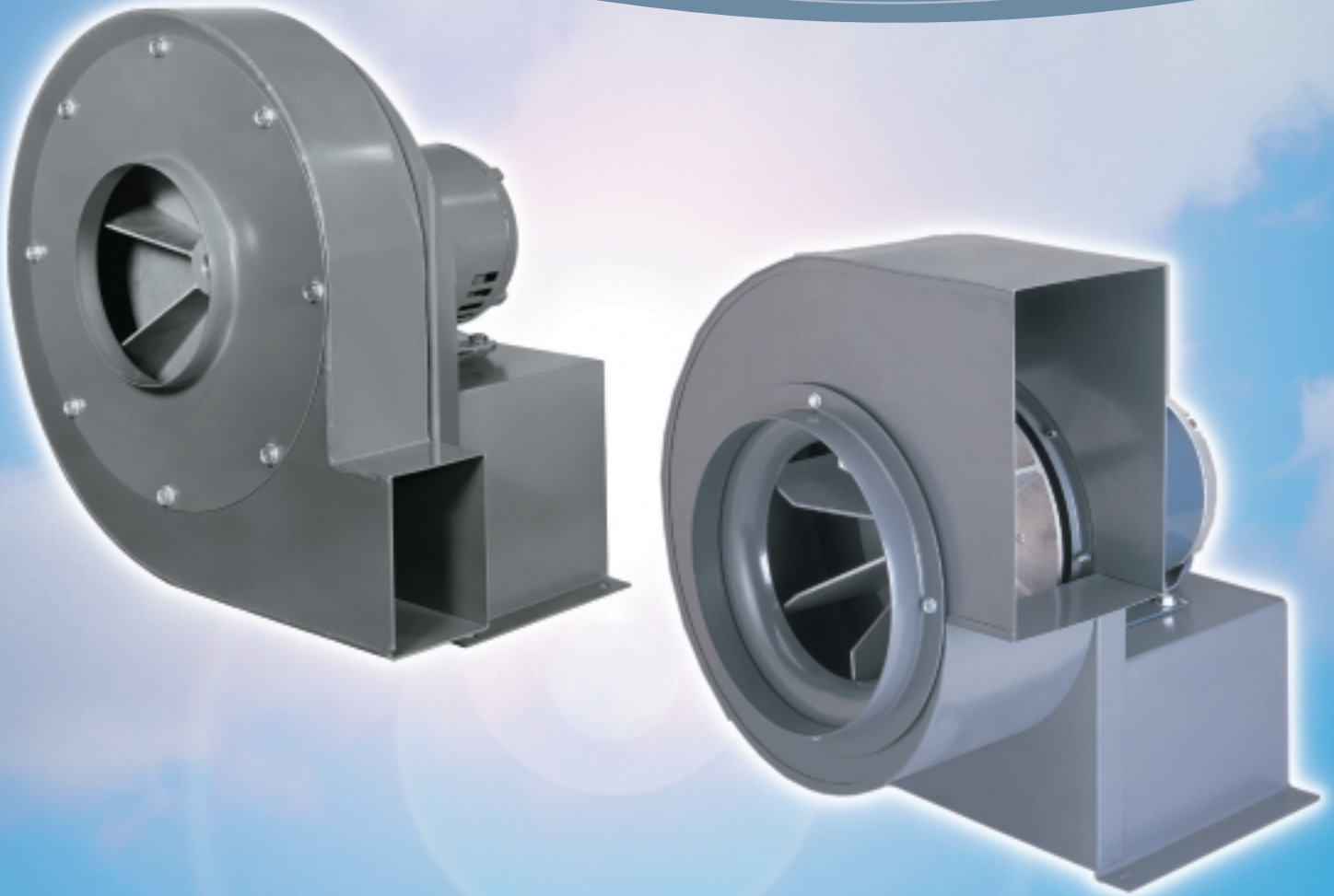


**PEERLESS  
BLOWERS**

# Radial Blade Blowers

Direct Drive



**Your Clean Air Source!**

**PEERLESS BLOWERS**

## PEERLESS BLOWERS RADIAL BLADE BLOWERS HIGH QUALITY... HIGH EFFICIENCY... VERSATILITY

Established in 1893, **Peerless Blowers** has a well established record of manufacturing a complete line of heavy-duty industrial fans and blowers, as well as propeller fans for commercial and industrial applications. For over a hundred years, thousands of customers have come to know and depend on the quality-built, reliable and efficient fans and blower products produced by **Peerless Blowers**.

Our engineering and design departments are experts assisting customers develop custom-designed air conveying systems that will meet and exceed their critical fan or blower application requirements.

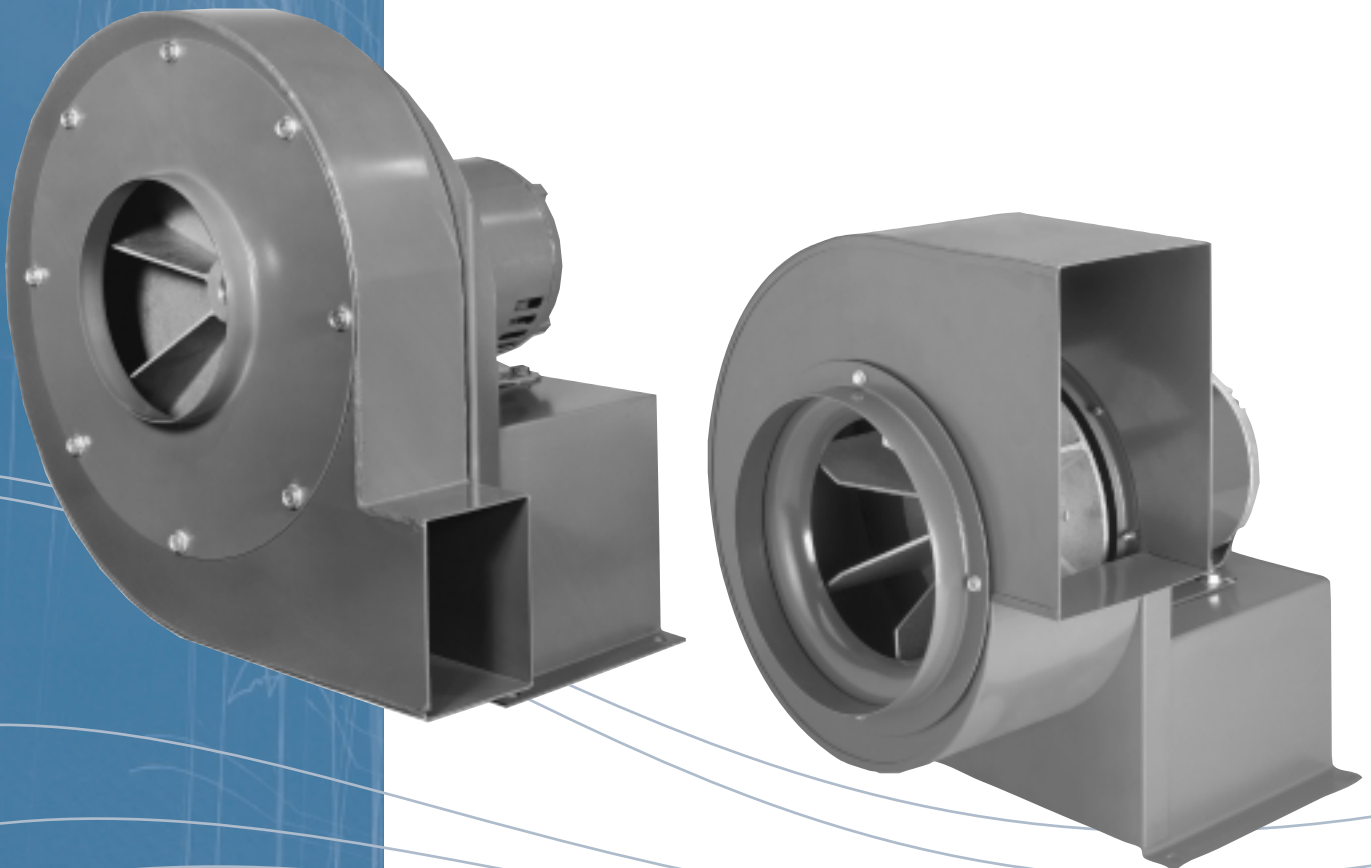
Fans and blower products manufactured by **Peerless Blowers** have and continue to provide exceptional performance, cost-efficient operation and long-term service to customers in numerous OEM,

commercial and industrial markets, including:

- Aviation • Automotive • Chemical
- Clothing • Food • Foundries
- Graphics/Printing • HVAC • Leather
- Maintenance • Manufacturing
- Mining • Paint • Paper/Pulp
- Petroleum • Plastics • Rail • Rubber
- Steel • Textile • And More!

Fans and blowers produced by **Peerless Blowers** have been application engineered and designed to meet and exceed all the requirements of today's air moving needs. Tested/rated to meet AMCA/ASHRAE Codes, our blowers are designed to provide maximum performance, long-term service and cost efficient operation in a wide variety of applications and environments.

***Regardless of your air movement requirements, Peerless Blowers ...IS YOUR CLEAN AIR SOURCE!***



**PEERLESS BLOWERS PRESSURE BLOWERS Direct Drive**

**APPLICATION:**

Pressure blowers are generally used on industrial applications for small exhaust systems where air is laden with dust or grit and also for supplying high pressure air for conveying and cooling.

**FEATURES:**

**Wheels**

Constructed with straight radial blades of heavy cast aluminum for self cleaning feature, dynamically balanced and designed for efficient operation.

**Housings**

Arc-welded 16 gauge steel housings and motor bases for rigidity and long life.

**Motors**

Standard units are furnished with open ball bearing, rigid mounted motors of either single phase capacitor-induction type or three phase induction type. Motors can also be furnished totally enclosed or explosion proof or with special current characteristics for special applications.

**Rotation and Discharge**

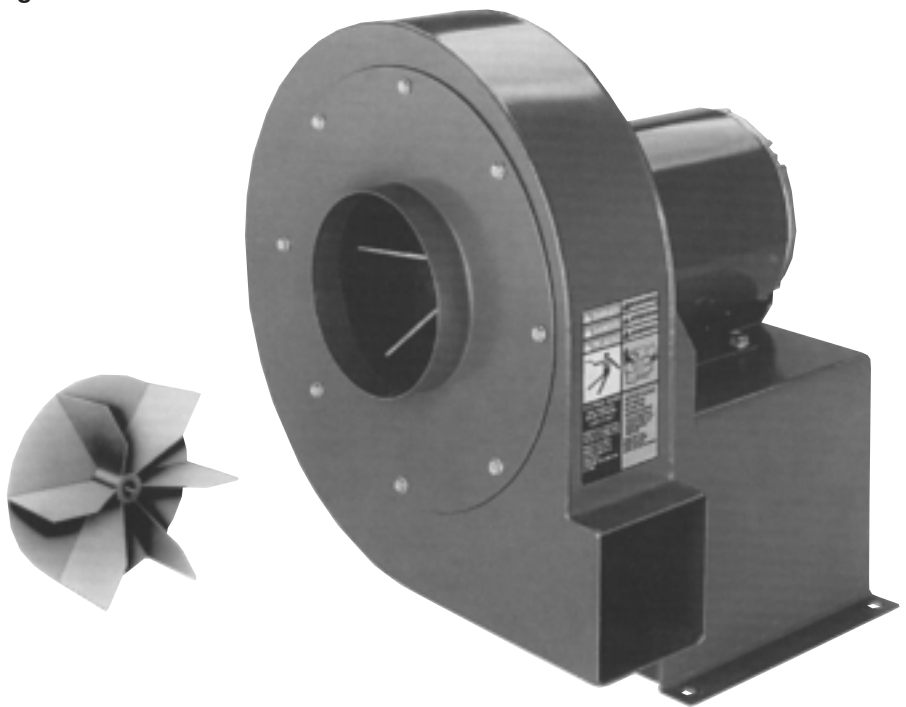
Furnished for clockwise rotation, bottom horizontal discharge unless otherwise specified. At time of installation housings or wheels may be turned for other discharges and rotation if so desired.

**Capacities**

These blowers are tested in accordance with test codes adopted by AMCA and the American Society of Heating, Refrigerating and Air Conditioning Engineers.

**CERTIFIED PERFORMANCE RATINGS**

Peerless Electric/Madison Mfg. Co.\* certifies that the "Pressure Blowers Direct Drive" Blowers shown on this page (PW series) are licensed to bear the AMCA Seal. The ratings shown are based on tests and procedures performed in accordance with AMCA Publication 211 and comply with the requirements of the AMCA Certified Ratings Program.



**Pressure Blowers Direct Drive Performance Data**

MODEL NO.	MOTOR HP	BLOWER RPM	Performance— CFM at 3500 RPM																
			1/4" S.P.	1/2" S.P.	1" S.P.	1 1/2" S.P.	2" S.P.	2 1/2" S.P.	3" S.P.	3 1/2" S.P.	4" S.P.	5" S.P.	6" S.P.	7" S.P.	8" S.P.	9" S.P.	10" S.P.	11" S.P.	12" S.P.
PW-8	1/4	3500	—	—	—	237	216	192	165	129	70	—	—	—	—	—	—	—	—
PW-8	1/3	3500	283	274	256	237	216	192	165	129	70	—	—	—	—	—	—	—	—
PW-9	1/2	3500	—	—	—	—	—	374	346	316	282	195	—	—	—	—	—	—	—
PW-9	3/4	3500	475	465	445	423	399	374	346	316	282	195	—	—	—	—	—	—	—
PW-11	1	3500	—	—	—	—	—	—	—	—	—	508	431	329	—	—	—	—	—
PW-11	1 1/2	3500	786	772	746	719	692	664	635	606	575	508	431	329	—	—	—	—	—
PW-12	3	3500	1185	1171	1145	1117	1090	1062	1033	1004	974	911	842	765	672	549	—	—	—
PW-14	5	3500	—	—	—	—	—	—	—	—	—	1685	1587	1482	1367	1236	1081	874	474
PW-14	7 1/2	3500	2100	2079	2037	1995	1952	1909	1866	1822	1777	1685	1587	1482	1367	1236	1081	874	474

Performance certified is for installation type B—free inlet, ducted outlet.  
 Power Rating (BHP) does not include transmission losses  
 Performance ratings do not include the effects of appurtenances (accessories).  
 \*Peerless Blowers is a trade name for Peerless Electric/Madison Mfg. Co.

# PEERLESS BLOWERS RADIAL BLADE BLOWERS

## PEERLESS BLOWERS RADIAL BLADE BLOWERS Direct Drive

### APPLICATION:

Used on small kitchen hoods where grease filters may or may not be installed; also used where air contains dirt, lint or foreign material as wheel is self-cleaning type.

### FEATURES:

#### General Construction

Housings and bases are 16-gauge steel with welded joints. Wheels are cast aluminum, dynamically balanced and are self cleaning to eliminate unbalance or reduced airflow. Blowers are finished with baked enamel.

#### Custom Features

Weather proof drive covers to cover the motor are available if unit is mounted outside. Also such extras as vibration pads, discharge dampers, acid resisting paint and other special features are available for special requirements.

#### Rotation and Discharge

Standard units are built for clockwise rotation and bottom horizontal discharge. However, any rotation or discharge will be furnished when so specified. Housings and wheels may be changed if desired at time of installation to any rotation or any one of eight different discharge directions. installation.

### Motors

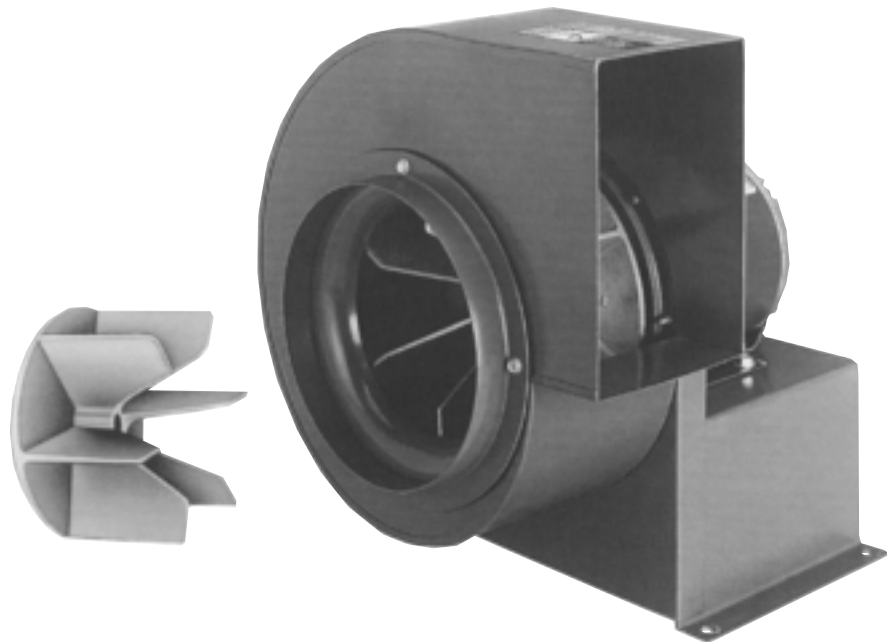
Standard units are furnished with open ball bearing, rigid mounted motors of either single phase or three phase capacitor-induction type. Motors can also be furnished totally enclosed or explosion proof or with special characteristics for special applications.

### Capacities

**These blowers are tested in accordance with test codes adopted by AMCA and the American Society of Heating, Refrigerating and Air Conditioning Engineers.**

### CERTIFIED PERFORMANCE RATINGS

Peerless Electric/Madison Mfg. Co.\* certifies that the "Radial Blade Blowers Direct Drive" Blowers shown on this page (KE series) are licensed to bear the AMCA Seal. The ratings shown are based on tests and procedures performed in accordance with AMCA Publication 211 and comply with the requirements of the AMCA Certified Ratings Program.



## Radial Blade Blowers Direct Drive Performance Data

MODEL NO.	MOTOR HP	BLOWER RPM	F.A.	Performance—CFM at 1725 RPM											
				1/8" S.P.	1/4" S.P.	3/8" S.P.	1/2" S.P.	5/8" S.P.	3/4" S.P.	1" S.P.	1 1/4" S.P.	1 1/2" S.P.	1 3/4" S.P.	2" S.P.	2 1/4" S.P.
KE-8	1/6	1725	533	493	448	396	334	250	93	—	—	—	—	—	—
KE-9	1/4	1725	909	848	788	724	655	572	462	—	—	—	—	—	—
KE-11	3/4	1725	1593	1524	1457	1386	1309	1225	1134	916	617	97	—	—	—
KE-12	1 1/2	1725	2461	2400	2331	2257	2179	2096	2007	1807	1564	1252	812	166	—
KE-14	2	1725	3393	3307	3221	3134	3046	2956	2863	2664	2438	2164	1786	1181	666

Performance certified is for installation type B—free inlet, ducted outlet.

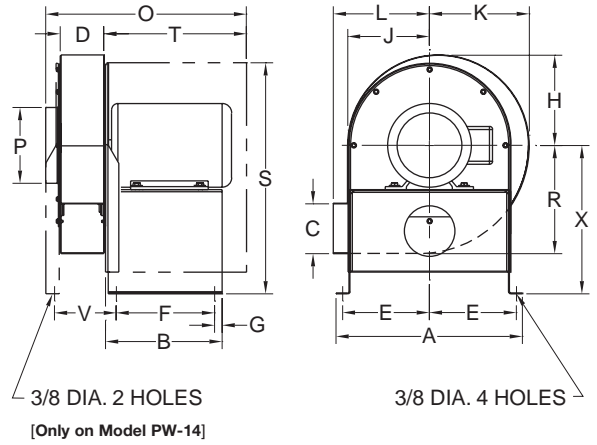
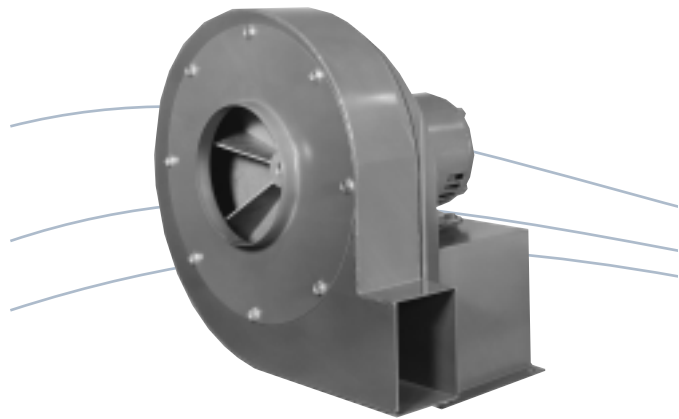
Power Rating (BHP) does not include transmission losses

Performance ratings do not include the effects of appurtenances (accessories).

\*Peerless Blowers is a trade name for Peerless Electric/Madison Mfg. Co.

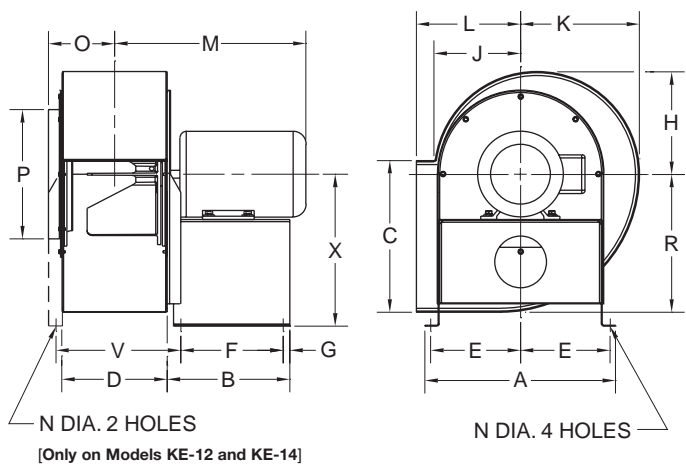
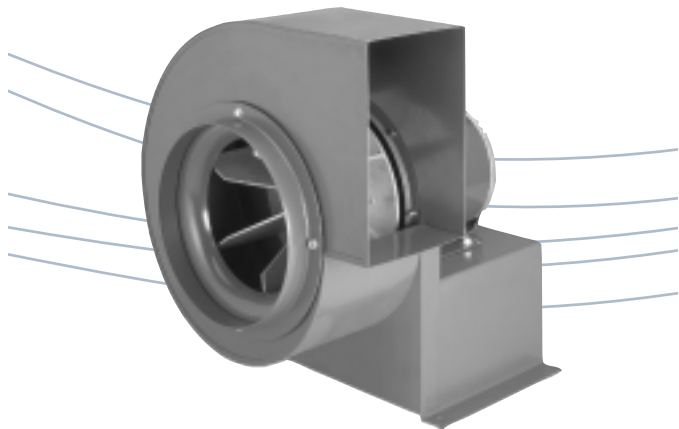
# PEERLESS BLOWERS RADIAL BLADE BLOWERS

## Radial Blade Blowers —Dimensions



## Pressure Blowers Direct Drive Dimensions

MODEL No.	WHEEL	BORE	A	B	C	D	E	F	G	H	J	K	L	O	P	R	X	S	T	V
PW-8	7 <sup>3</sup> / <sub>4</sub> x 2 <sup>1</sup> / <sub>4</sub>	1/2	11	8	3	3	5	7	1/2	5 <sup>3</sup> / <sub>8</sub>	4 <sup>7</sup> / <sub>8</sub>	5 <sup>7</sup> / <sub>8</sub>	5 <sup>7</sup> / <sub>8</sub>	16	4	6 <sup>5</sup> / <sub>8</sub>	8 <sup>1</sup> / <sub>2</sub>	13 <sup>1</sup> / <sub>8</sub>	12	—
PW-9	9 x 2 <sup>3</sup> / <sub>4</sub>	1/2	12 <sup>1</sup> / <sub>8</sub>	8	3 <sup>1</sup> / <sub>2</sub>	3 <sup>1</sup> / <sub>2</sub>	5 <sup>5</sup> / <sub>8</sub>	7	1/2	6 <sup>3</sup> / <sub>8</sub>	5 <sup>3</sup> / <sub>4</sub>	6 <sup>7</sup> / <sub>8</sub>	6 <sup>3</sup> / <sub>4</sub>	20 <sup>3</sup> / <sub>4</sub>	5	7 <sup>1</sup> / <sub>2</sub>	9 <sup>9</sup> / <sub>8</sub>	14 <sup>5</sup> / <sub>8</sub>	16	—
PW-11	10 <sup>5</sup> / <sub>8</sub> x 3	5/8	14 <sup>3</sup> / <sub>4</sub>	9	4	3 <sup>1</sup> / <sub>2</sub>	6 <sup>7</sup> / <sub>8</sub>	7 <sup>1</sup> / <sub>2</sub>	3/4	7 <sup>1</sup> / <sub>4</sub>	6 <sup>1</sup> / <sub>2</sub>	8	7 <sup>5</sup> / <sub>8</sub>	20 <sup>3</sup> / <sub>4</sub>	6	8 <sup>5</sup> / <sub>8</sub>	11 <sup>3</sup> / <sub>4</sub>	18 <sup>1</sup> / <sub>4</sub>	16	—
PW-12	12 <sup>1</sup> / <sub>2</sub> x 3	7/8	17	8	5	4	8	6 <sup>1</sup> / <sub>2</sub>	3/4	8 <sup>1</sup> / <sub>4</sub>	7 <sup>1</sup> / <sub>2</sub>	9	9 <sup>5</sup> / <sub>8</sub>	20 <sup>1</sup> / <sub>8</sub>	7	10	10 <sup>5</sup> / <sub>8</sub>	18 <sup>3</sup> / <sub>8</sub>	15	—
PW-14	13 <sup>1</sup> / <sub>2</sub> x 4 <sup>3</sup> / <sub>8</sub>	1 <sup>1</sup> / <sub>8</sub>	17 <sup>5</sup> / <sub>8</sub>	11 <sup>1</sup> / <sub>4</sub>	7 <sup>1</sup> / <sub>8</sub>	5 <sup>3</sup> / <sub>4</sub>	8	9 <sup>9</sup> / <sub>16</sub>	1	10 <sup>1</sup> / <sub>2</sub>	9 <sup>5</sup> / <sub>8</sub>	11 <sup>3</sup> / <sub>8</sub>	11	22	8	11 <sup>1</sup> / <sub>2</sub>	12 <sup>5</sup> / <sub>8</sub>	21 <sup>1</sup> / <sub>2</sub>	15	7 <sup>1</sup> / <sub>4</sub>



## Radial Blade Blowers Direct Drive Dimensions

MODEL No.	WHEEL	BORE	A	B	C	D	E	F	G	H	J	K	L	M*	N	O	P	R	V	X
KE-8	7 <sup>3</sup> / <sub>4</sub> x 4	1/2	11	8	8 <sup>1</sup> / <sub>4</sub>	5 <sup>3</sup> / <sub>8</sub>	5	7	1/2	6	4 <sup>5</sup> / <sub>8</sub>	6 <sup>3</sup> / <sub>4</sub>	6 <sup>7</sup> / <sub>8</sub>	10 <sup>3</sup> / <sub>4</sub>	3/8	3 <sup>3</sup> / <sub>4</sub>	8	8	—	8 <sup>1</sup> / <sub>2</sub>
KE-9	9 x 5	1/2	12 <sup>1</sup> / <sub>8</sub>	8	10 <sup>3</sup> / <sub>4</sub>	6 <sup>1</sup> / <sub>2</sub>	5 <sup>5</sup> / <sub>8</sub>	7	1/2	6 <sup>3</sup> / <sub>4</sub>	5 <sup>5</sup> / <sub>8</sub>	7 <sup>3</sup> / <sub>4</sub>	7 <sup>1</sup> / <sub>8</sub>	11 <sup>3</sup> / <sub>4</sub>	3/8	4 <sup>5</sup> / <sub>16</sub>	9	9 <sup>1</sup> / <sub>4</sub>	—	9 <sup>9</sup> / <sub>8</sub>
KE-11	10 <sup>7</sup> / <sub>8</sub> x 5 <sup>5</sup> / <sub>8</sub>	5/8	14 <sup>3</sup> / <sub>4</sub>	9	11 <sup>3</sup> / <sub>4</sub>	8	6 <sup>7</sup> / <sub>8</sub>	7 <sup>1</sup> / <sub>2</sub>	3/4	8	6 <sup>3</sup> / <sub>4</sub>	9 <sup>1</sup> / <sub>8</sub>	8 <sup>1</sup> / <sub>8</sub>	13 <sup>1</sup> / <sub>4</sub>	3/8	5 <sup>1</sup> / <sub>16</sub>	10	10 <sup>3</sup> / <sub>4</sub>	—	11 <sup>3</sup> / <sub>4</sub>
KE-12	12 <sup>1</sup> / <sub>2</sub> x 7 <sup>1</sup> / <sub>2</sub>	7/8	16 <sup>3</sup> / <sub>8</sub>	10 <sup>1</sup> / <sub>2</sub>	13 <sup>1</sup> / <sub>4</sub>	9 <sup>5</sup> / <sub>8</sub>	7 <sup>3</sup> / <sub>8</sub>	8 <sup>3</sup> / <sub>4</sub>	7/8	10 <sup>1</sup> / <sub>8</sub>	8 <sup>1</sup> / <sub>2</sub>	11 <sup>1</sup> / <sub>2</sub>	10 <sup>1</sup> / <sub>2</sub>	15 <sup>5</sup> / <sub>16</sub>	9/16	6 <sup>3</sup> / <sub>8</sub>	13 <sup>1</sup> / <sub>4</sub>	13 <sup>1</sup> / <sub>4</sub>	11 <sup>1</sup> / <sub>8</sub>	17
KE-14	13 <sup>1</sup> / <sub>2</sub> x 8 <sup>1</sup> / <sub>8</sub>	7/8	17 <sup>5</sup> / <sub>8</sub>	10 <sup>1</sup> / <sub>2</sub>	14 <sup>5</sup> / <sub>8</sub>	10 <sup>3</sup> / <sub>4</sub>	8	8 <sup>3</sup> / <sub>4</sub>	7/8	11 <sup>1</sup> / <sub>8</sub>	9 <sup>5</sup> / <sub>8</sub>	12 <sup>5</sup> / <sub>8</sub>	11 <sup>3</sup> / <sub>8</sub>	16 <sup>3</sup> / <sub>4</sub>	9/16	7	14 <sup>1</sup> / <sub>2</sub>	14 <sup>5</sup> / <sub>8</sub>	12 <sup>1</sup> / <sub>4</sub>	17

\*"M" varies with motor frame size.

# PEERLESS BLOWERS... Your Clean Air Source!

Supplier of Quality Products for Industry:



Direct Drive Fans



Pressure Blowers



Industrial Fans



Direct Drive Exhaust Fans



In-Line Centrifugal Fans



Backward Inclined Belt Drive Blowers



Belt Drive Propeller Fans



Powerfoil Fans



Plug-Pak Fans



Forward Curve Belt Drive Fans



**PEERLESS BLOWERS**

One Madison Avenue, P.O. Box 187  
Hot Springs, NC 28743-0187  
828/622-7500 • 1-800/613-4766 • Fax: 828/622-3309

[www.peerlessblowers.com](http://www.peerlessblowers.com)

E-Mail: [sales@peerlessblowers.com](mailto:sales@peerlessblowers.com)



Registered  
to ISO 9001