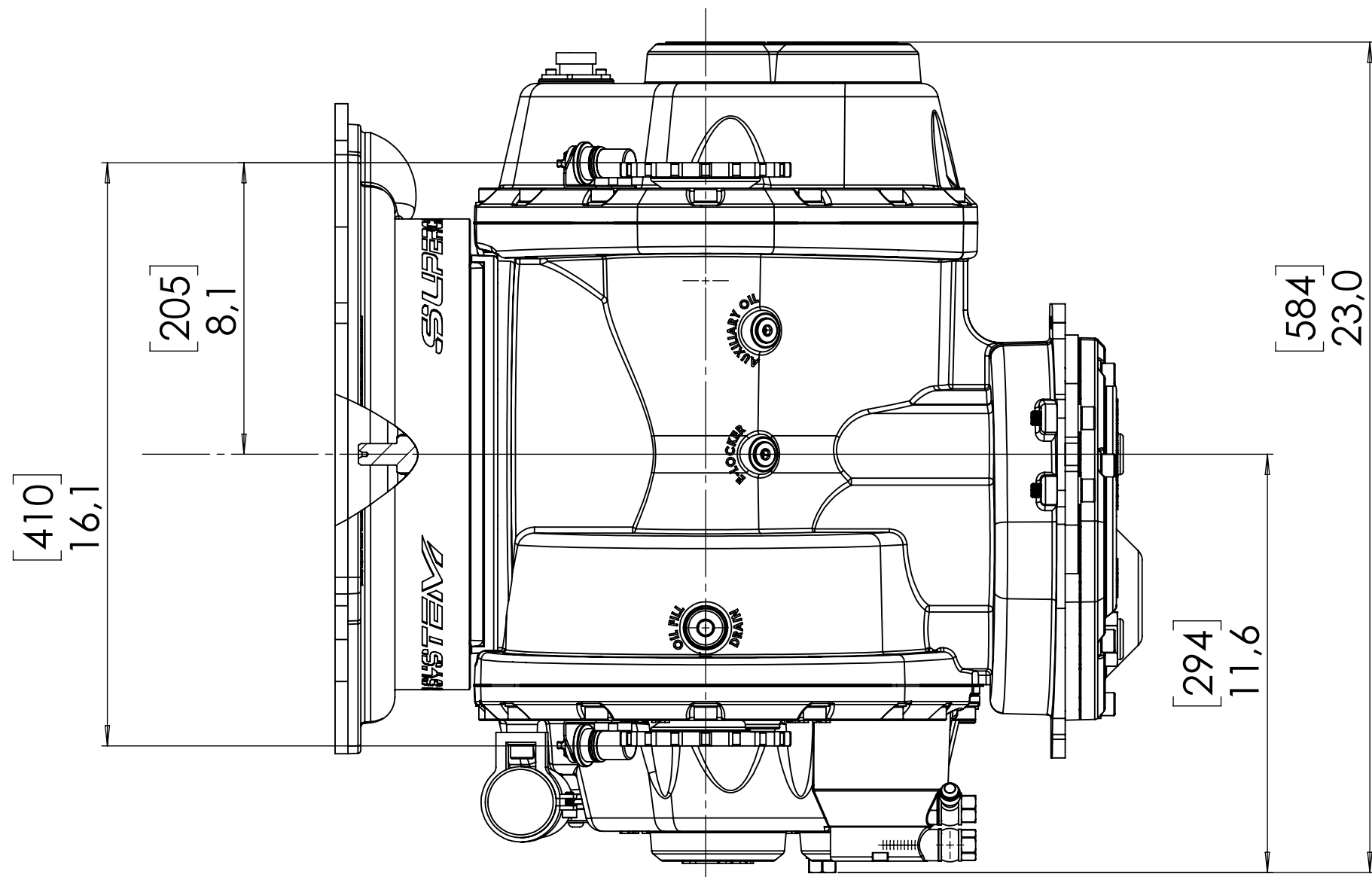
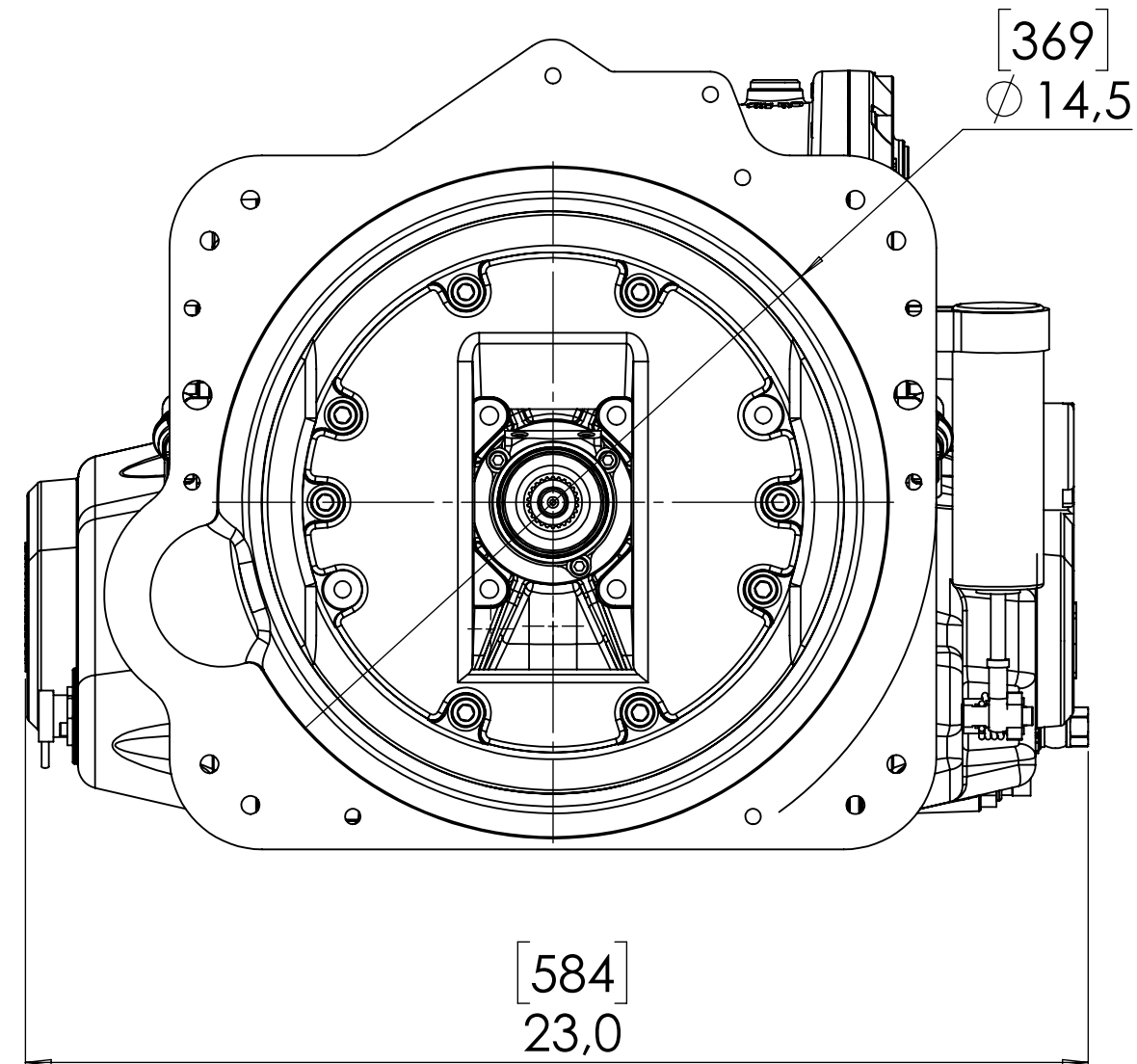
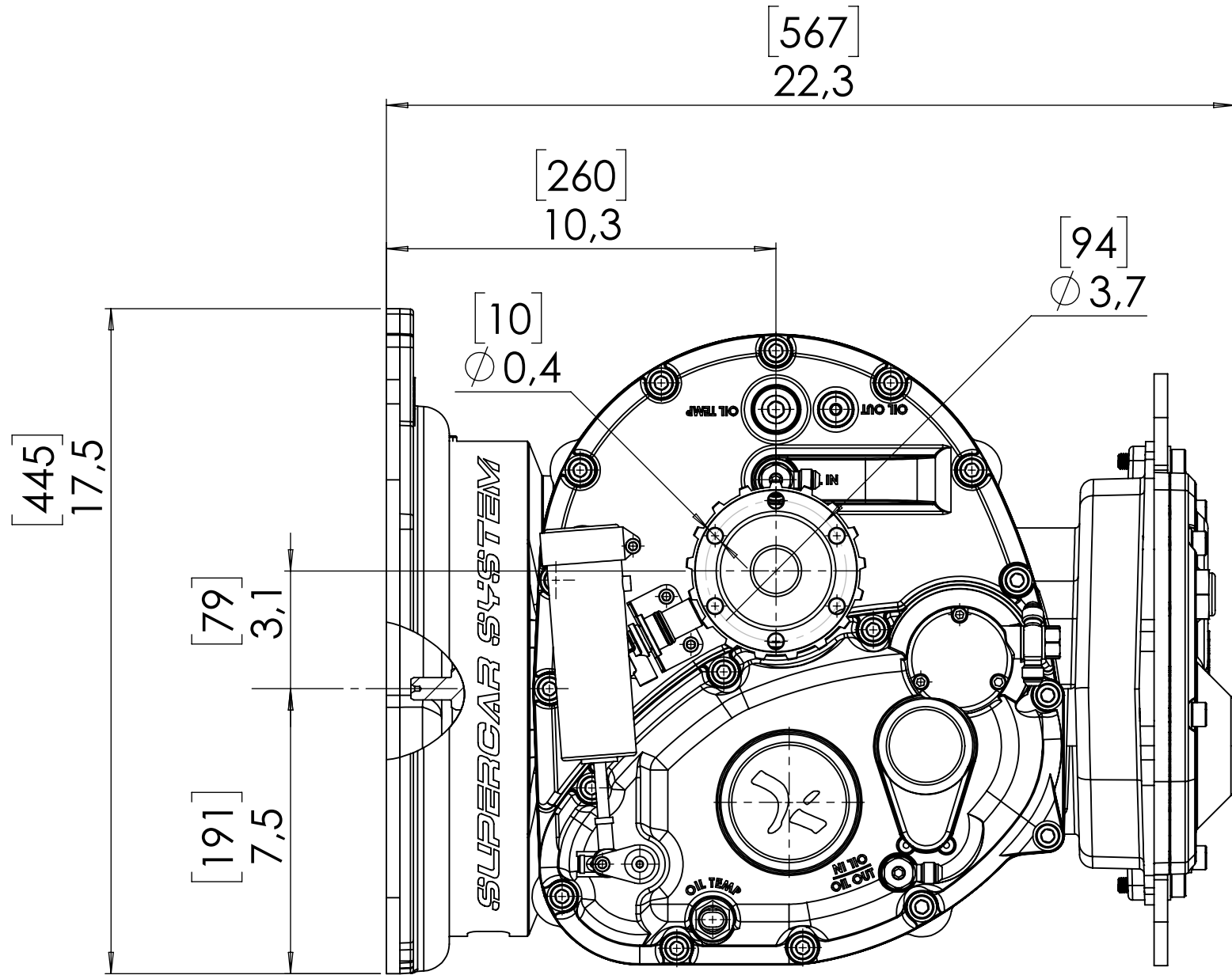


4

3

2

1



UNLESS OTHERWISE SPECIFIED:		NAME	DATE
DIMENSIONS ARE IN INCHES		DRAWN	
TOLERANCES:		CHECKED	
FRACTIONAL ±		ENG APPR.	
ANGULAR: MACH ± BEND ±		MFG APPR.	
TWO PLACE DECIMAL ±		Q.A.	
THREE PLACE DECIMAL ±		COMMENTS:	
INTERPRET GEOMETRIC TOLERANCING PER:			
MATERIAL			
FINISH			
DO NOT SCALE DRAWING			

PROPRIETARY AND CONFIDENTIAL
 THE INFORMATION CONTAINED IN THIS DRAWING IS THE SOLE PROPERTY OF SUPERCAR SYSTEM. ANY REPRODUCTION IN PART OR AS A WHOLE WITHOUT THE WRITTEN PERMISSION OF SUPERCAR SYSTEM IS PROHIBITED.

SUPERCAR SYSTEM
 500 W Putnam Ave info@supercarsystem.com
 Greenwich, CT 06830 USA +1 (530) 500-0005
 www.supercarsystem.com facebook.com/supercarsystem

TITLE:

SIZE	DWG. NO.	REV
C		
SCALE: 1:4	WEIGHT:	SHEET 1 OF 1

4

3

2

1

D

D

C

C

B

B

A

A