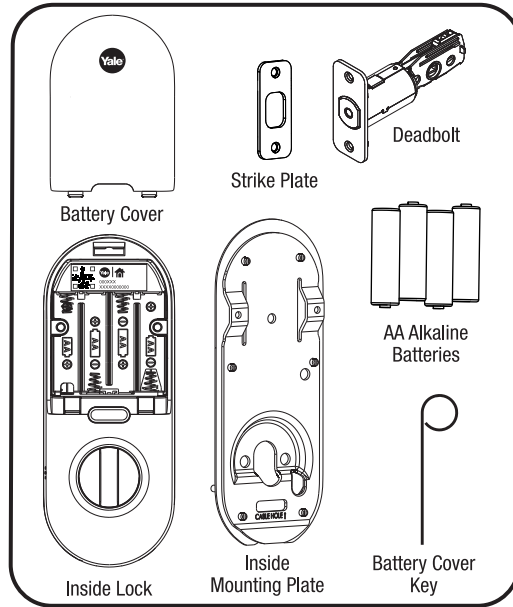
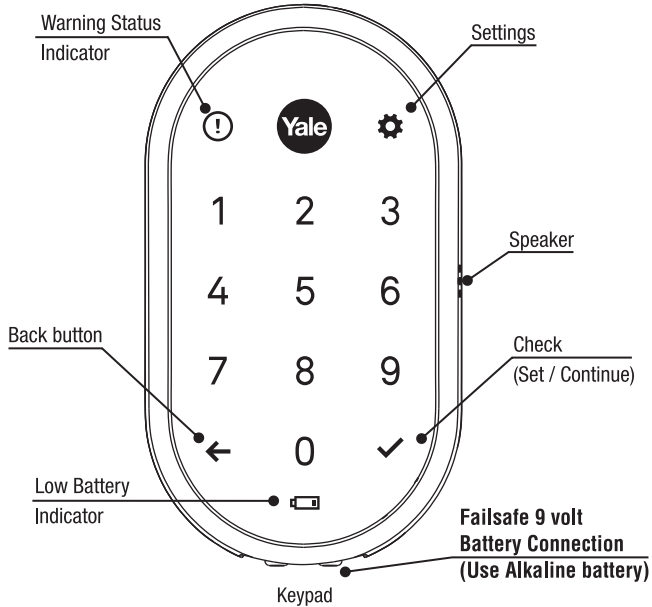
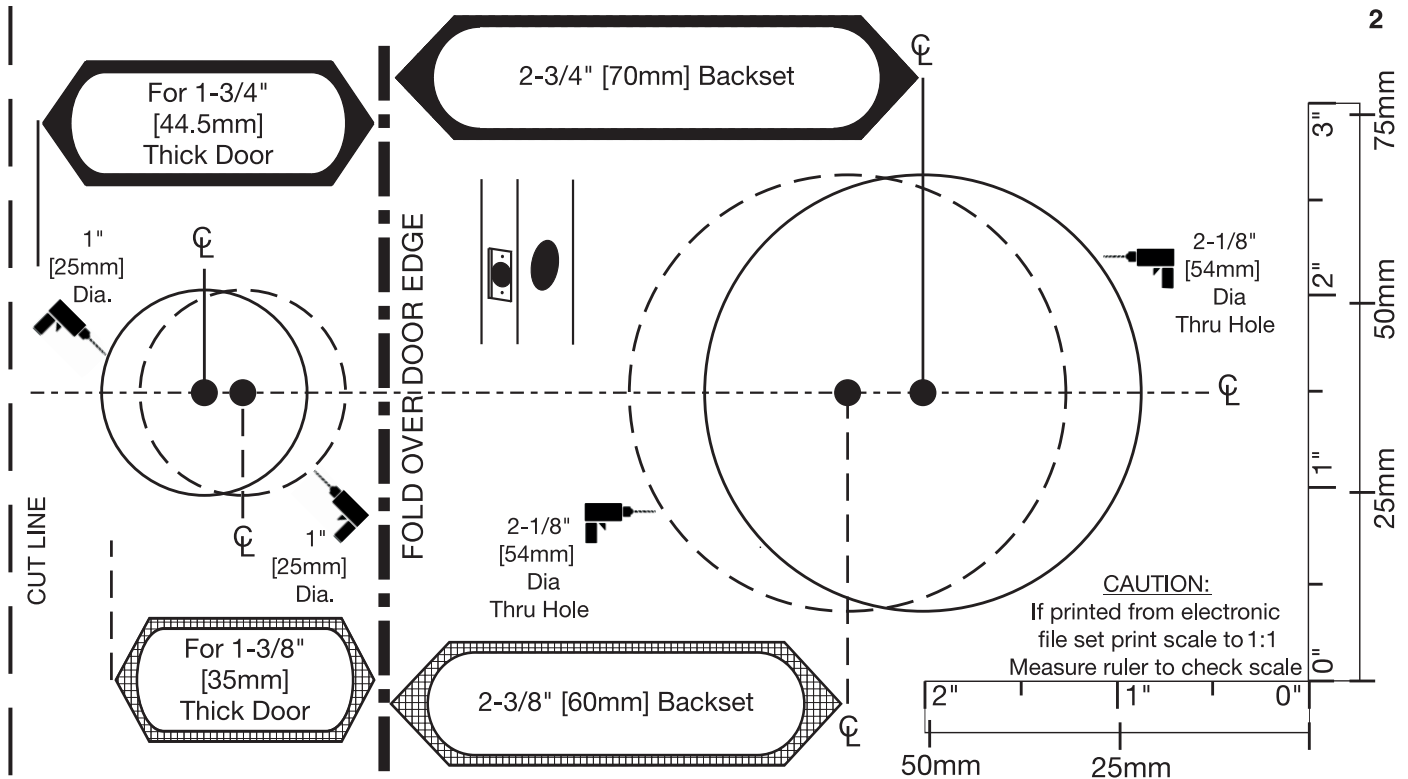




Nest x Yale Lock Installation and Programming Guide





Tools Needed



Standard
Phillips Head
Screwdriver

Tools necessary only for new doors or adjusting existing prep.



Drill



Pencil



Wood Mortise
Chisel



Tape
Measure

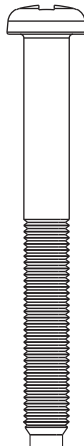


Utility Knife



Level

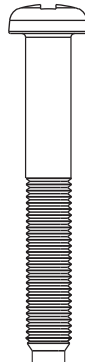
Provided Fasteners



x2

Silver
for
2 to 2-1/4"
Door Thickness

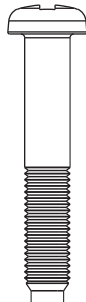
OR



x2

Black
Standard for
1-3/4"

OR



x2

Green
for
1-3/8"
Door Thickness



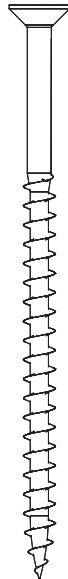
x2

Inside Lock
Screws



x4

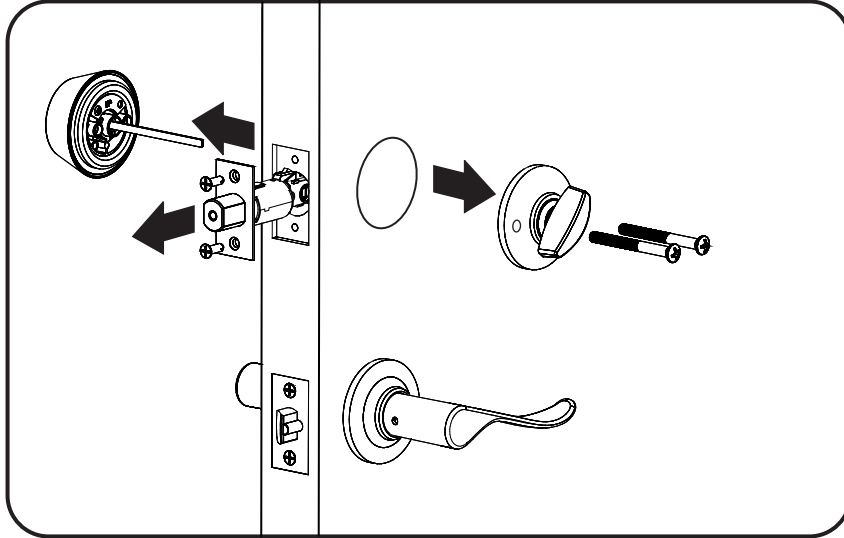
Strike Plate
and
Latch Screws



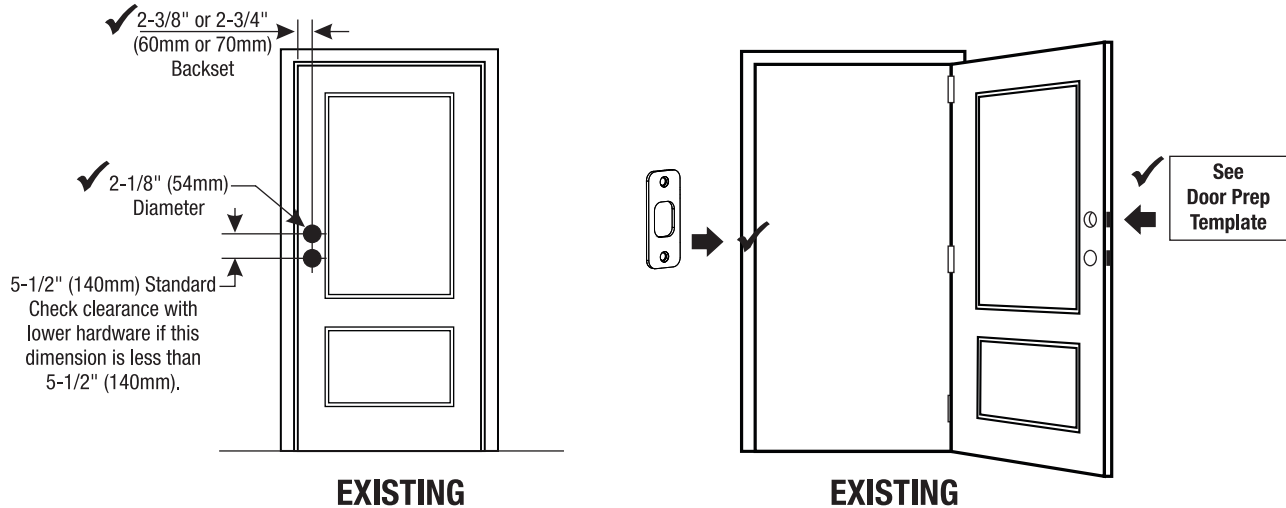
x2

Optimal
Security
Strike Plate
Screws

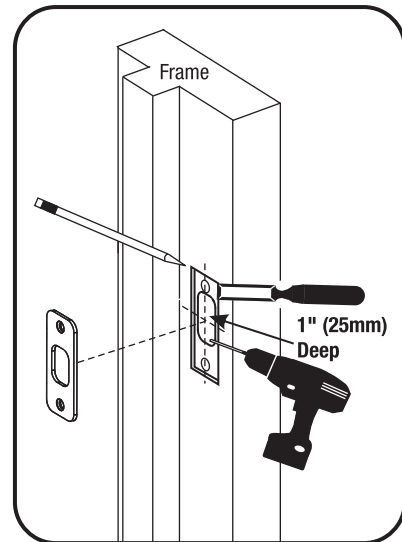
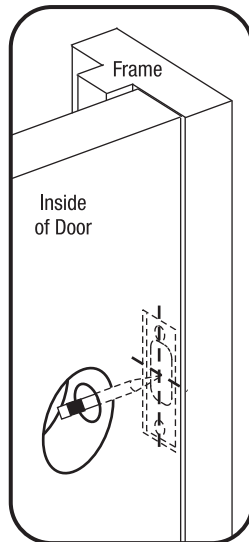
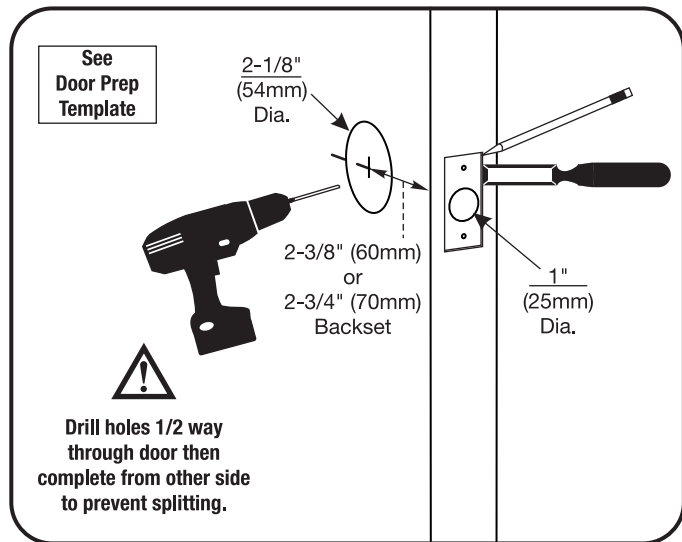
Before you begin, open door and remove your existing deadbolt.



Before you begin, double check your door prep measurements.



Before you begin, prepare door & frame.
Necessary only for new doors or adjusting existing prep.

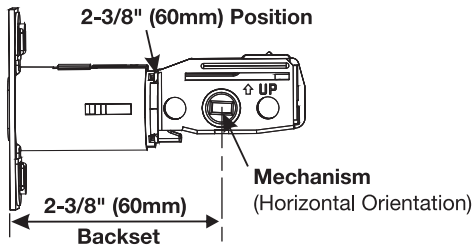


1

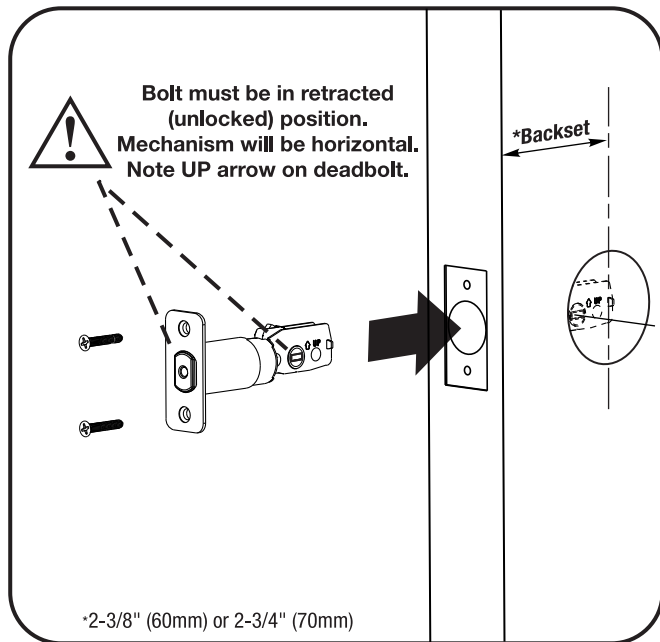
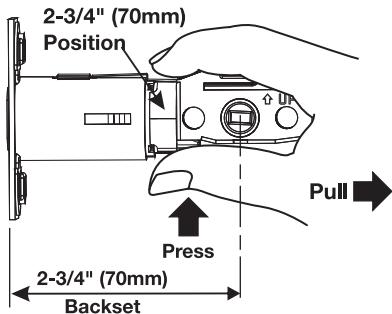
Installing Deadbolt



x2



OR



2

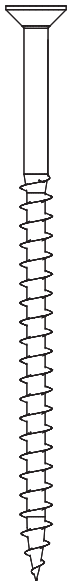
Installing Strike Plate



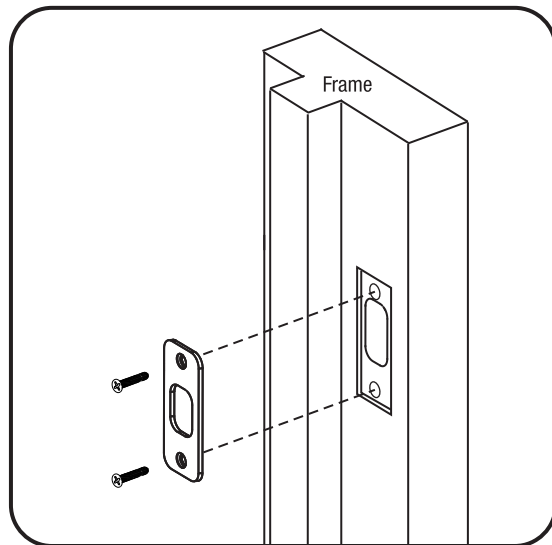
x2



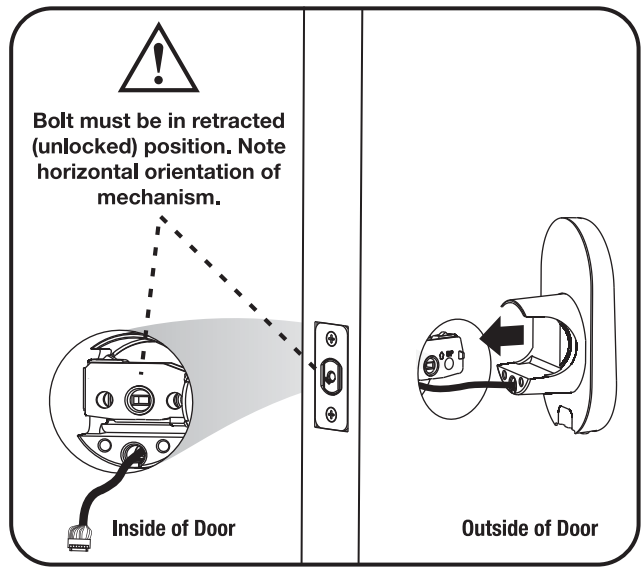
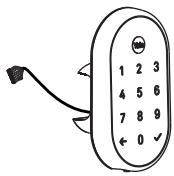
Choose standard strike plate screws or security screws.



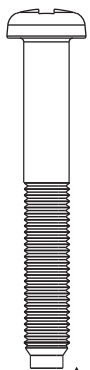
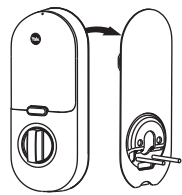
x2



3 Installing Keypad

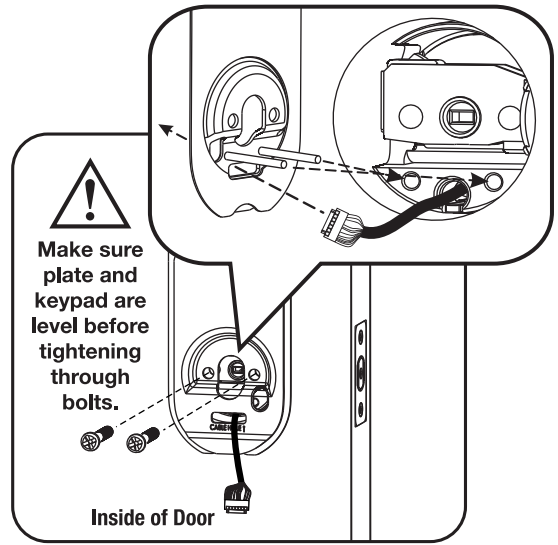


4 Installing Interior Mounting Plate



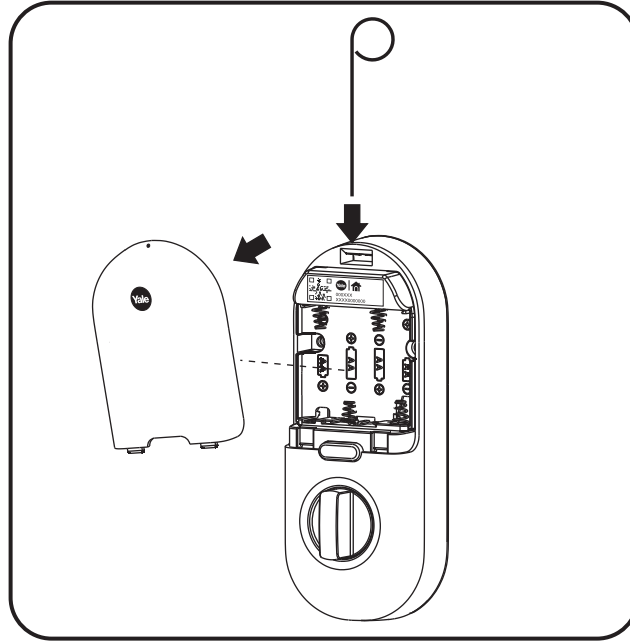
x2

Choose through bolt appropriate for your door thickness. See Page 3.

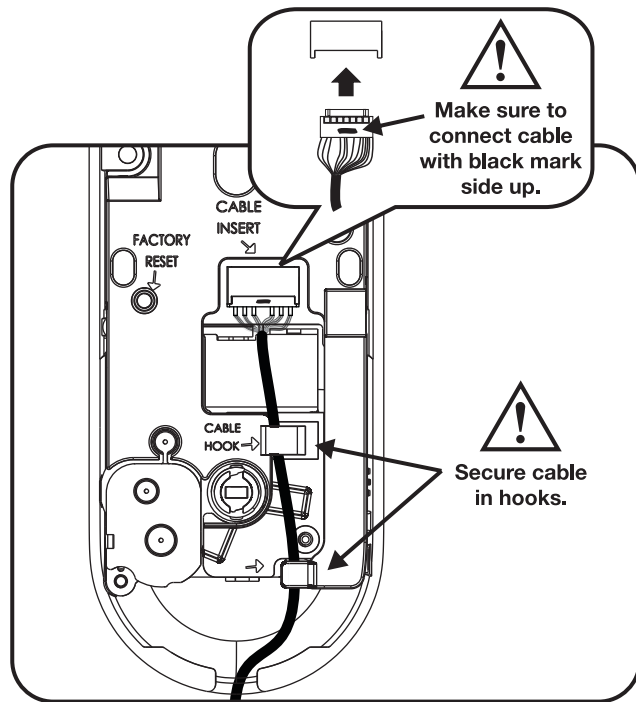
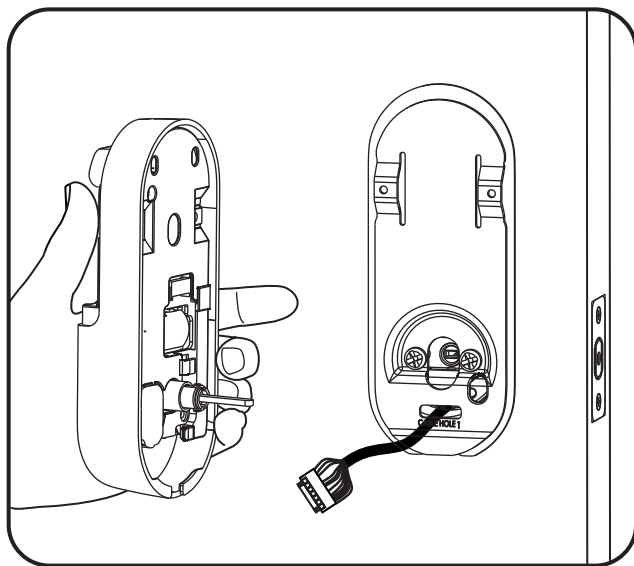


5

Removing Battery Cover



6 Attaching the Cable

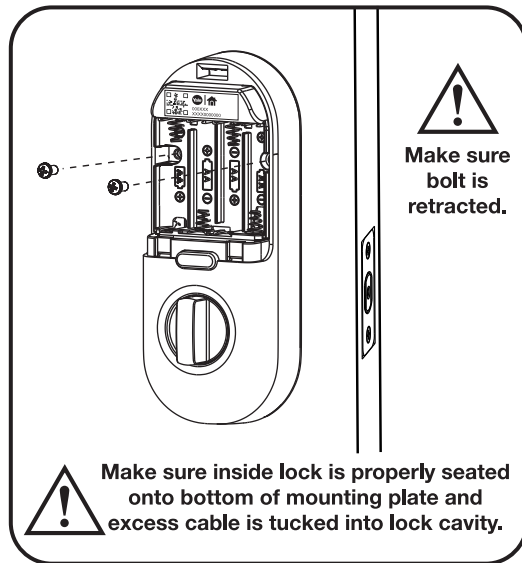
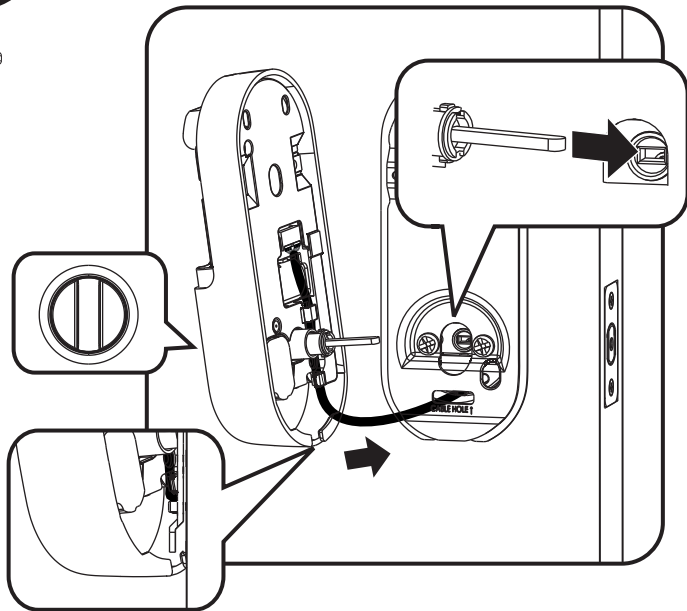


7

Installing Inside Lock

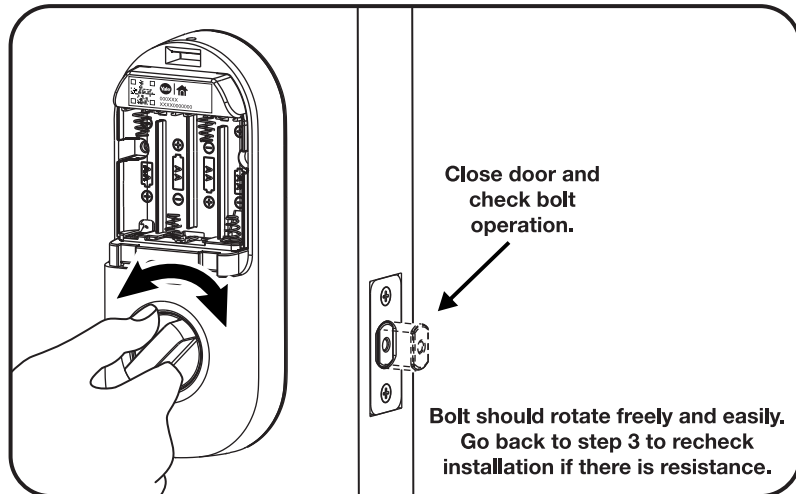


x2



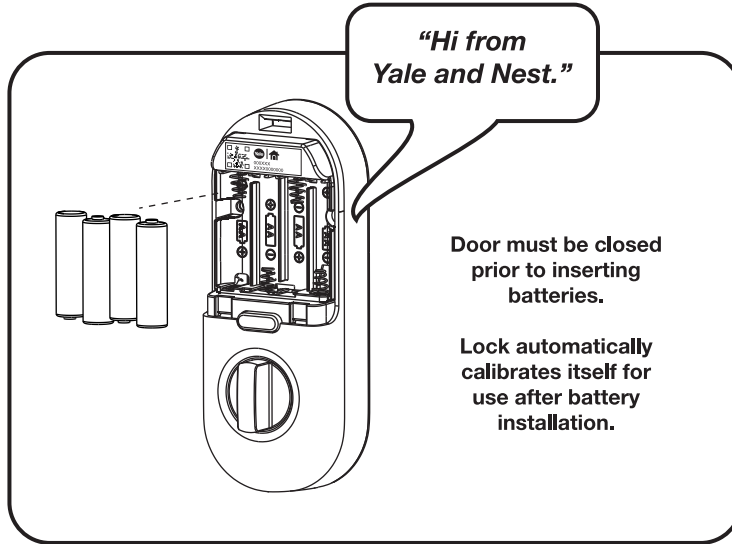


Testing Operation



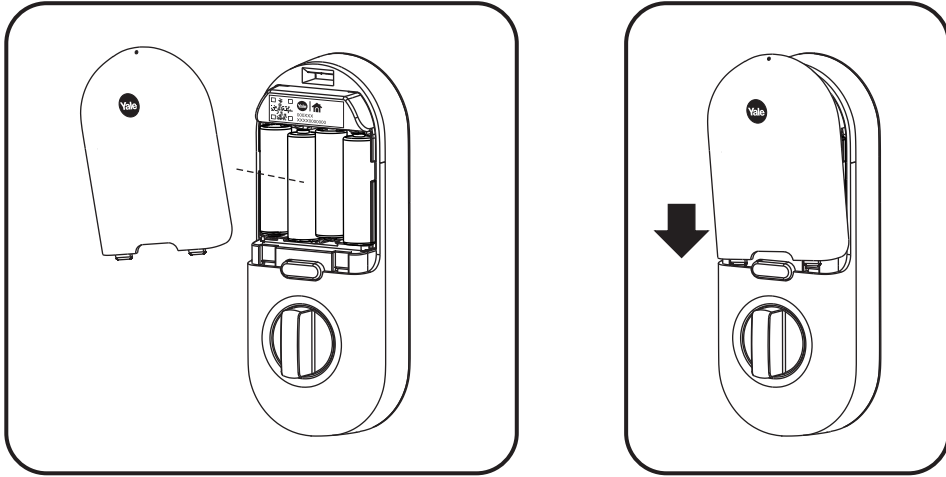
9

Installing Batteries/Handing the Lock



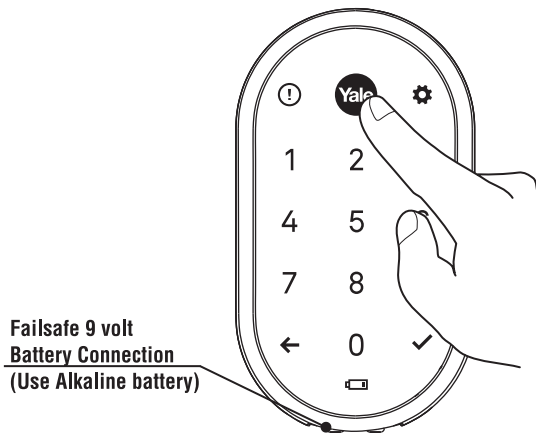
10

Installing Cover



Congratulations, you've installed the Nest x Yale Lock!

Programming Instructions



Touch Yale logo to wake lock.

You will be guided to set up the Master Passcode by following the audio instructions on the lock. Once installation is complete, download the Nest App to add the lock to your Nest account.

Additional passcodes and further programming can be done in the Nest app. Note that the Master Passcode may also need to be set within the app.

For written programming/troubleshooting instructions and instructions in other languages, visit www.ShopYaleHome.com/NestYaleLock/Info

Yale Locks & Hardware

Product Support Tel: 1-855-213-5841 • www.yalehome.com

Yale Locks & Hardware is a division of Yale Security Inc., an ASSA ABLOY Group company.

Yale® is a registered trademark of Yale Security Inc., an ASSA ABLOY Group Company. Nest is a trademark of Nest Labs, Inc.

© Copyright 2018, Yale Security Inc., an ASSA ABLOY Group Company. All rights reserved.

Reproduction in whole or in part without the express written permission of Yale Security Inc. is prohibited.

Certified ANSI/BHMA A156.36 Grade 2 | Nest Labs Designed in the US nest.com Built in China | Patent & TM: nest.com/legal/ip-and-other-notice | Open source: nest.com/legal/compliance

YALE, with its unique global reach and range of products, is the world's favorite lock
– the preferred solution for securing your home, family and personal belongings.

ASSA ABLOY is the global leader in door opening solutions,
dedicated to satisfying end-user needs for security, safety and convenience.