



Welcome to your Hangouts Meet hardware kit

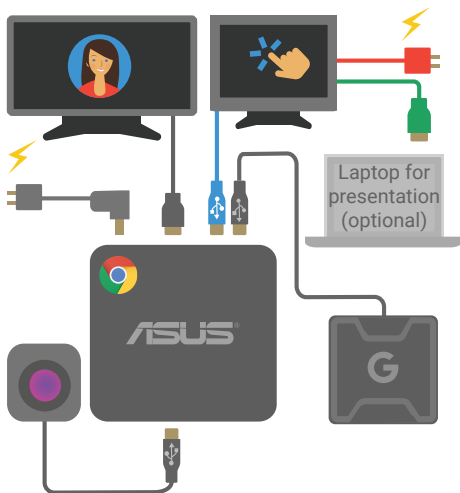
Tips for setting up your hardware kit

- Make sure the red cable for the touchscreen is plugged into an external power source.
- The touchscreen and camera require USB 3.0 hubs and cables.
- Refer to the list of qualified peripherals, including hubs and cables on the help center at g.co/meet/peripherals.

For more tips visit g.co/meet/faq.

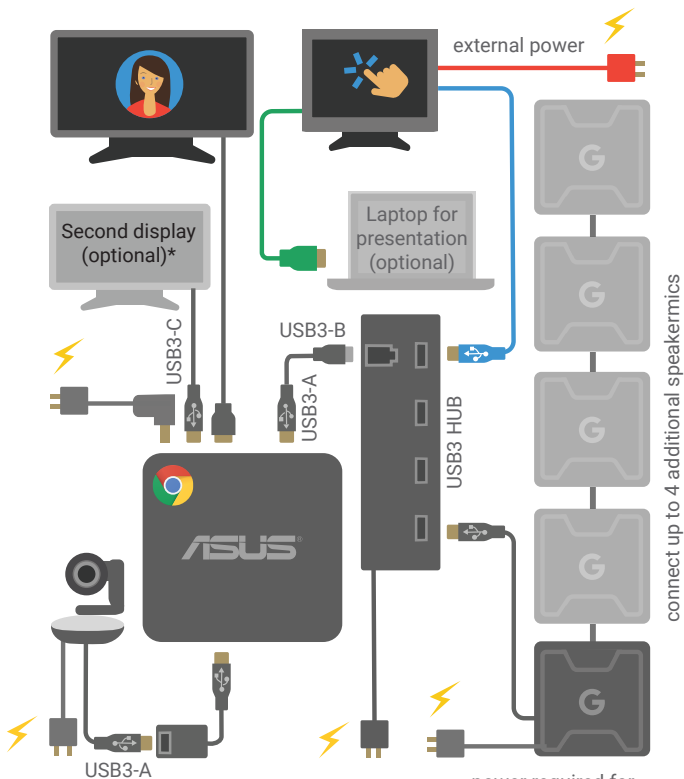
Small Room Configuration

1 speakermic covers 4–6 people



Large Room Configuration

Connect 1 speakermic for every 4-6 people in the meeting room



* Use a USB Type-C adapter to connect an additional display.



ASUS part number 15060-60950100