



# Technical Specification



## SwipBox<sup>®</sup> Infinity – range overview

SwipBox Infinity  
IN180-14

SwipBox Infinity  
IN180-16

SwipBox Infinity  
IN180-20

SwipBox Infinity  
IN180-22

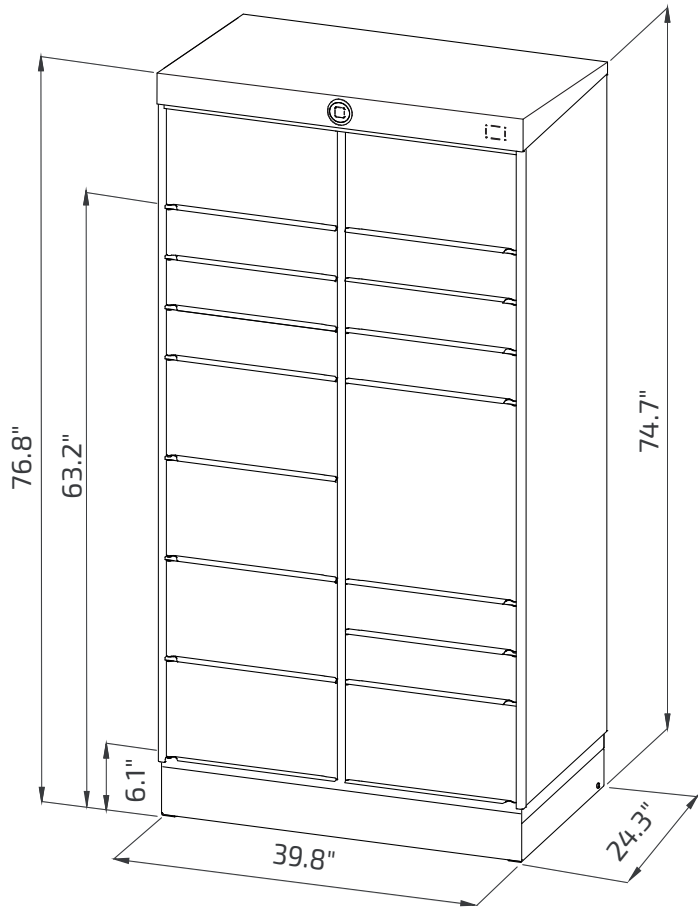
SwipBox Infinity  
IN180-32

# SwipBox® Infinity range

Measurements (same for alle models)

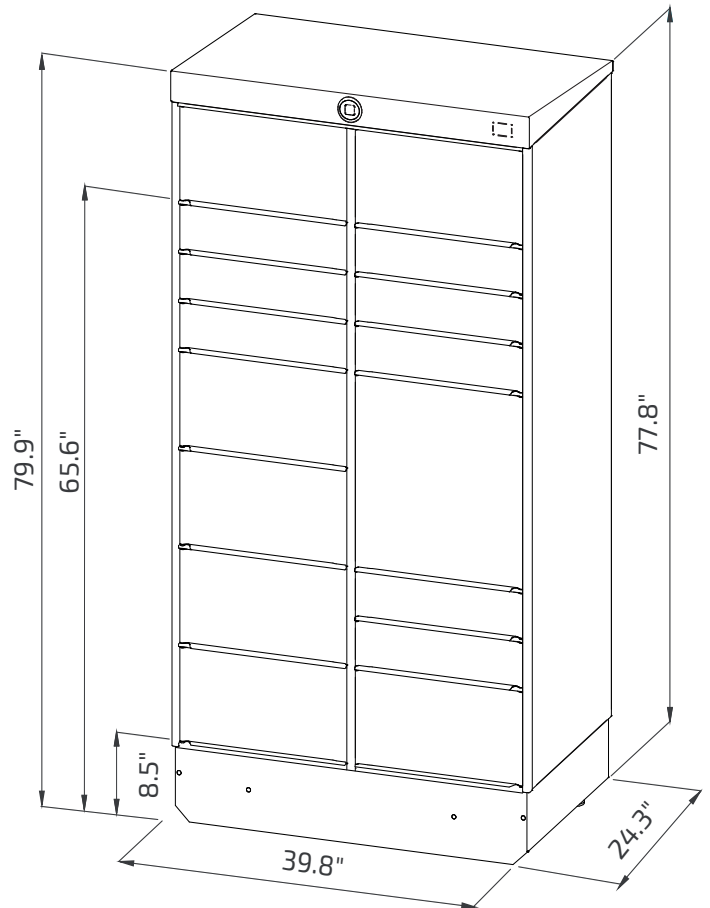
## Infinity parcel locker - indoor

Outer dimensions



## Infinity parcel locker - outdoor

Outer dimensions



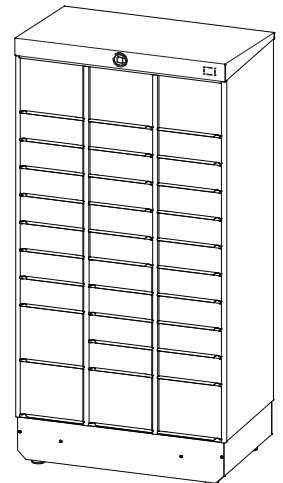
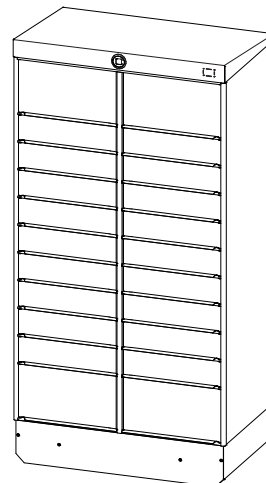
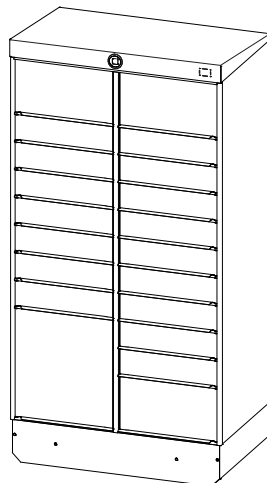
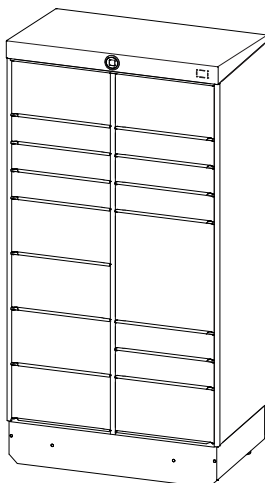
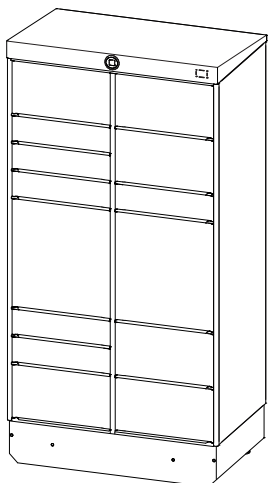
IN180 - 14 Outdoor  
14 compartments

IN180 - 16 Outdoor  
16 compartments

IN180 - 20 Outdoor  
20 compartments

IN180 - 22 Outdoor  
22 compartments

IN180 - 32 Outdoor  
32 compartments



# Infinity models and compartments sizes\*

	Small (HxWxD) 4.3x17.2x23in.	Medium (HxWxD) 9.4x17.2x23in.	Large (HxWxD) 19.7x17.2x23in.
14 compartments	6	6	2
16 compartments	8	7	1
20 compartments	16	3	1
22 compartments	18	4	-

	Small slim (HxWxD) 4.3x10.6x23in.	Medium slim (HxWxD) 9.4x10.6x23in.
32 compartments**	25	7

\*There should always be at least 0.4" free space on either side of the parcel

\*\*NOTE REGARDING CENTER COMPARTMENTS: The top six open from the left, the bottom five open from the right

# Infinity models and weight

	Indoor (lbs)	Outdoor (lbs)
14 + 16 compartments	287	661
20 + 22 compartments	353	728
32 compartments	432	807

# Data

	SwipBox Infinity
Power input	Battery operated. Min. lifespan of 10 years
Bluetooth® communication range	10ft from the parcel locker
Storage/transport temp.	-4°F to 122°F
Operating temp.	-4°F to 122°F
Operating humidity max.	95% (non-condensing)
Max. weight on shelf	70lbs
Paint	Powder coating
Material	Aluminum



SwipBox International A/S  
Ellegaardvej 7  
DK-6400 Sønderborg

[international@swipbox.com](mailto:international@swipbox.com)  
[www.swipbox.com](http://www.swipbox.com)