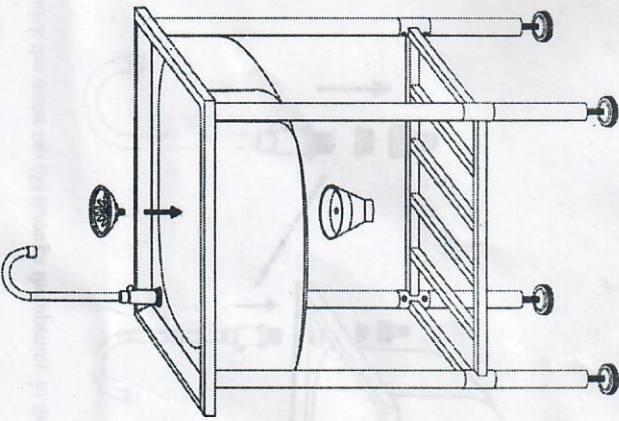
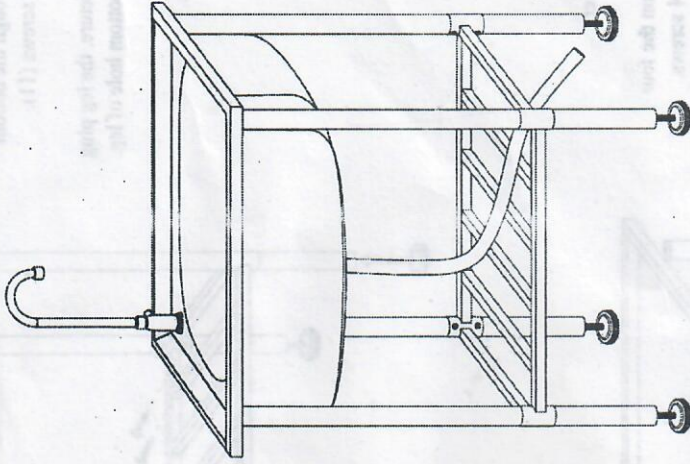


marko™ outdoor

Small Camping Sink



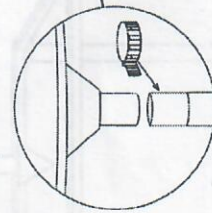
Step 5
Connect the drain filter (7) with the drain tunnel (8) through the opening in the sink (4). (drain filter from above, drain tunnel from the bottom)



Step 6
Fix the drain hose (9) on the drain funnel (8) by using the hose clip (10).

Parts and Assembly Instruction

1	Bottom rack	1x	7	Drain filter	1x
2	Leg (with leg plug)	4x	8	Drain funnel	1x
3	Table border	1x	9	Drain hose	1x
4	sink	1x	10	Hose clip	1x
5	Water tap	1x	11	Screws M8X23mm	12x
6	Connector	1x			

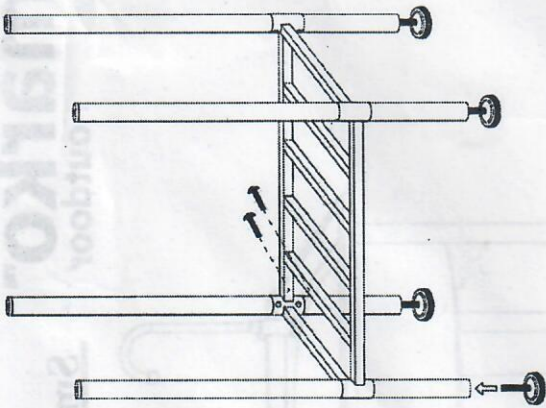


Step 1

Assembling bottom rack

Stick the table legs (2) through the bottom rack (1) and fix them with 8 screws (11).

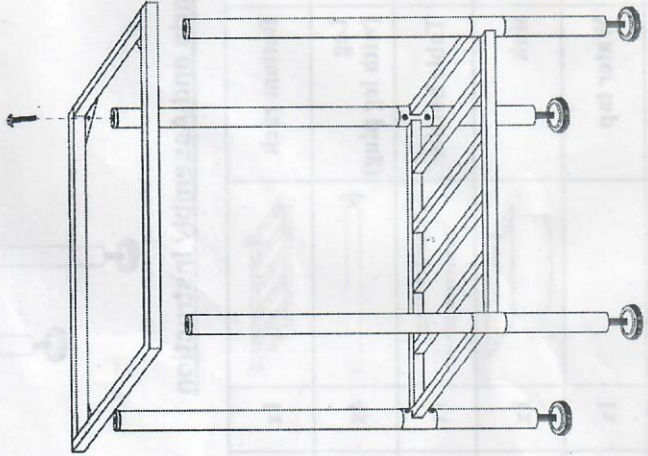
*** As shown the right picture, the leg plug is directly inserted into the bottom hole of leg.



Step 2

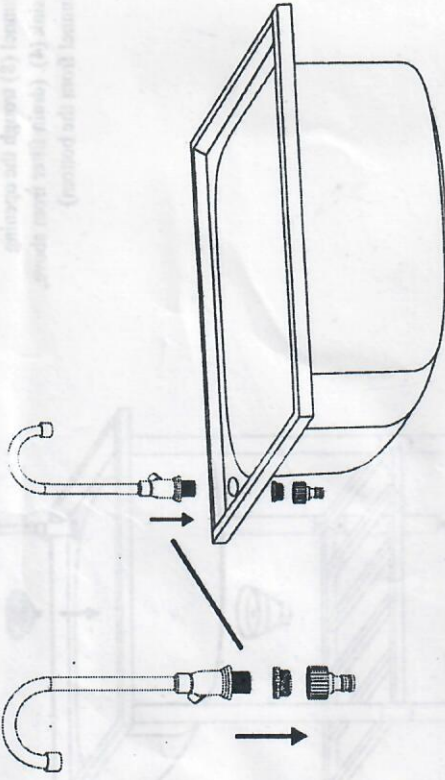
Assembling the table border

Place the table border (3) on the four table legs (2) and fix it with 4 screws.



Step 3

Stick the water tap (5) through the opening in the sink and fix it with the Connector (6).



Step 4

Assembling the sink

Stick the sink (4) on the table border (3).

