

marko[™]
heating

Wall Mounted Quartz Patio Heater



Model No: MHT-QWM

Factory Model No: PNH-2000D

Instruction Manual

marko[™] • HR2 9NQ

1. WARNINGS

- This electrical appliance complies with technical safety and electromagnetic compatibility standards.
- Never touch the heater while in operation due to risk of burns.
- Never touch the heater with wet hands.
- Never rotate the heating element of the appliance during operation. To change the tilt angle of the heating part, we advise you to wait for 15 minutes after the appliance has been switched off to allow it to cool.
- Never place anything on your heaters safety guard as this may cause overheating (e.g. towels).
- Never use your appliance to dry wet fabrics of any kind.
- Although the heating element bulbs may have stopped glowing, the heater may still be live and potentially dangerous. Check that the selection indicator is in the OFF (0) position before taking any action.
- Switch off your appliance:
 - After use
 - In the event of malfunction
 - Before cleaning
- Never operate the heater if it is dropped or damaged.
- Never dismantle your heater. An incorrectly repaired appliance may be dangerous the user. If you encounter any problems, please contact the retailer you purchased from.
- The product warranty will be deemed void in the event of damage incurred from improper use.
- Do not use this heater in the immediate surrounding of a bath, shower, swimming pool, or other major water source.
- This heater is designed for use in gardens, ideally under shelter. It can be used both indoors and outdoors, however the mains plug must only be connected to an indoor socket, or correctly fitted outside socket.
- Please note that this item is splash proof (IPX4 rated), not water proof.
- The warranty will not apply to appliances used for professional or commercial usage.
- This appliance is not intended for use by persons (including children) with reduced physical, sensory or mental capabilities, or lack of experience and knowledge.

- Children should be supervised to ensure that they do not play with the appliance.

2. VOLTAGE

Before using the appliance for the first time, ensure that your mains voltage matches the rating label on the heater (220-240V). **This is a class I appliance and must be earthed.**

3. SAFETY

CAUTION: Before fitting or removing the heater, ensure that the power line supplying the heater is disconnected. Check that the power line is connected to a 30mA differential circuit breaker.

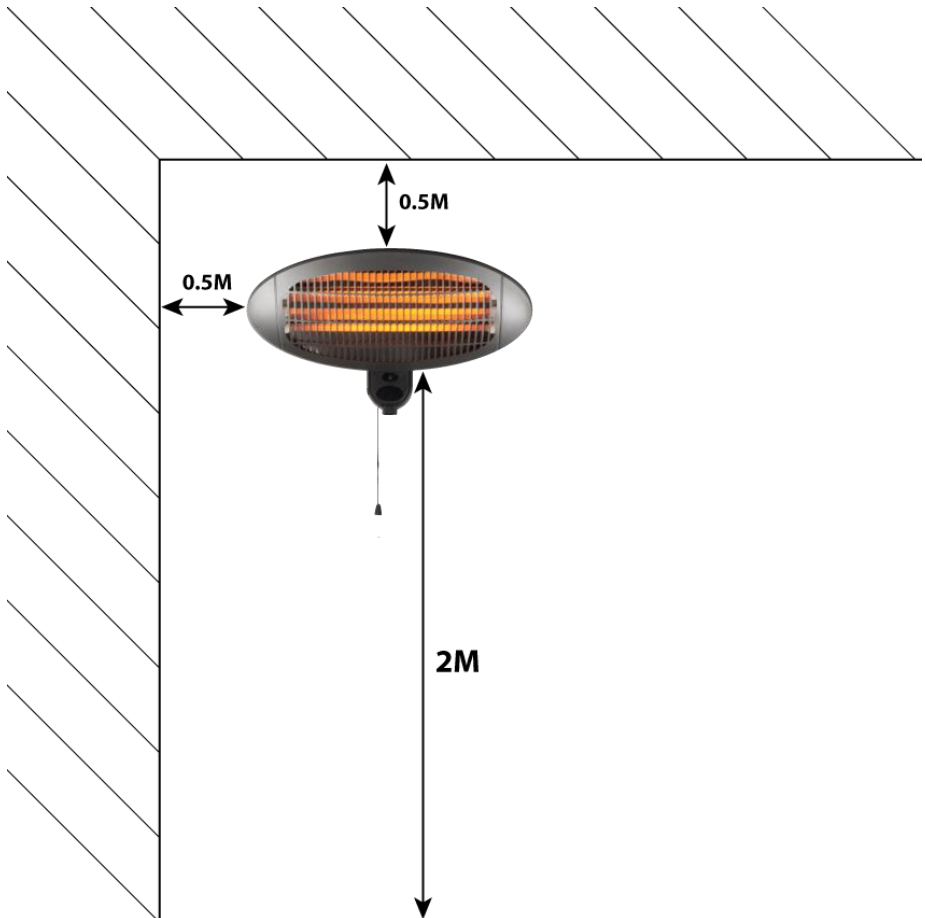
- This appliance is designed for use in gardens, and any room in your house, including those where there is a risk of splashing. The installation and use of your appliance must comply with the applicable standards in your country.
- When the heater is switched on, it will reach very high temperatures that are likely to cause burns if touched. Make sure that all other users are aware of the risks.
- If you have any doubts concerning installation possibilities for this heater, please consult a qualified electrician.
- Children, the elderly and the infirm may not always be aware of the danger involved in using electrical appliances. Never allow this appliance to be used without supervision.
- The heater must be positioned so that the plug is accessible.
- If the supply cord is damaged, it must be replaced by the manufacturer, supplier or similar qualified person in order to avoid a hazard.
- The heater must not be located immediately below a socket-outlet.
- Do not use this heater with a programmer, timer, or any other device that switches the heater on automatically, since a fire risk exists if the heater is covered or positioned incorrectly.
- Do not place the appliance close to curtains and other combustible materials.

4. MOUNTING POSITION

When choosing your mounting position, you must ensure the following:

- Distance between the top of the product and the ceiling must be more than 0.5M
- Distance between the side of the product and the corner must be more than 0.5M
- Distance between the bottom of the product and the floor must be more than 2M

In summary, to ensure safe use of the product, follow the diagram below.



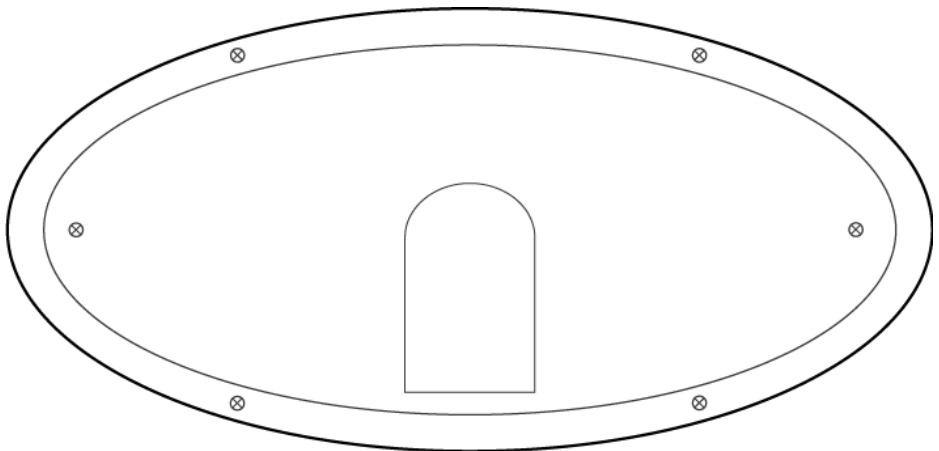
5. ASSEMBLY

Box Contents:

- Patio Heater Head
- Heater Control Panel Box
- Black Fixing Screw (for mounting the control panel box to the heater head)
- 4x Wall Mounting Screws
- 4x Plastic Wall Expansion Plugs

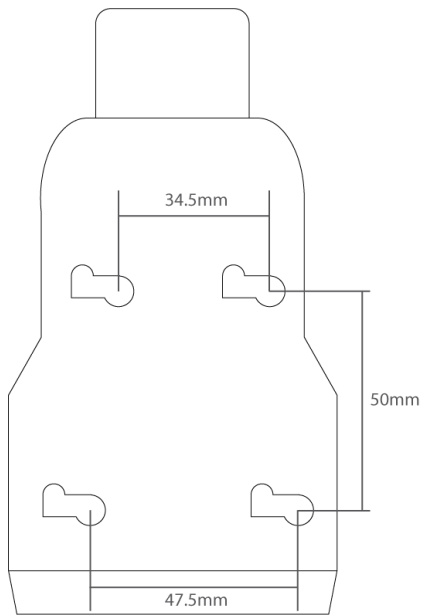
Please note: We have included expansion plugs and wall mounting screws that we believe are sufficient for securely fixing your heater. Depending on a wide range of variables, such as surface material/density, mounting position, etc, you may need to purchase more substantial screws and expansion plugs to suit your requirements.

A: Remove the black screw provided from the control panel box. Then, use the black screw to securely fix the control panel box to the heater head. Ensure that you have fitted them together in the correct orientation:



⇧ THIS WAY UP ⇧

B: Mark your wall with the hole positions to match the mounting plate, as shown in the diagram below.



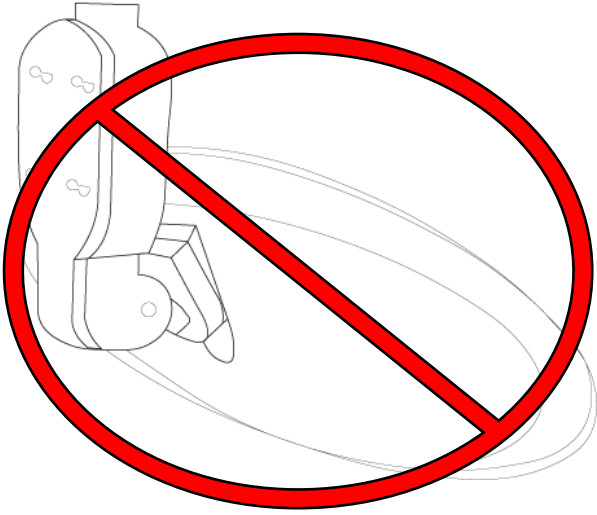
C: Using an 8mm drill, create the 4 mounting holes as marked in the previous step. The holes should be approximately 3.5cm deep.

D: Put the 4 plastic expansion plugs (included) into the mounting holes one by one – they should be flush against the wall surface.

E: Fasten the 4 screws (included) into the expansion plugs, until the screw head is 4-5mm away from the wall surface.

F: You can now mount the product onto the wall. Once all four screws are lined up, the mounting plate should shift slightly to the left then down, held securely. Do not attempt to operate the heater until all four screws are holding the product securely to the wall.

G: For safe use of the product, ensure that the heater is fitted correctly, never installed upside down or ceiling mounted.



6. OPERATION

The heater head angle can be adjusted up and down, up to 45 degrees for more directional heat.

The heater is switched on by means of the pull switch. The slight vibration noticeable when the appliance is switched on will stop after a few seconds.

7. OUTPUT

- Position 0: OFF
- Position 1: 650W
- Position 2: 1350W
- Position 3: 2000W

8. MAINTENANCE

The heater does not require any particular maintenance. However, in the event of a malfunction, please contact the retailer you purchased the item from.