

K01 Hardware Kit Includes:
 Drill Point Pattern

Materials/Tools Required:

- Level
- Masking Tape
- Tape Measure
- Drill with 3/16" bit
- Caulk Gun
- GE RTV 108 or RTV 6700 Clear Silicone Adhesive *
- *Available from Takeform

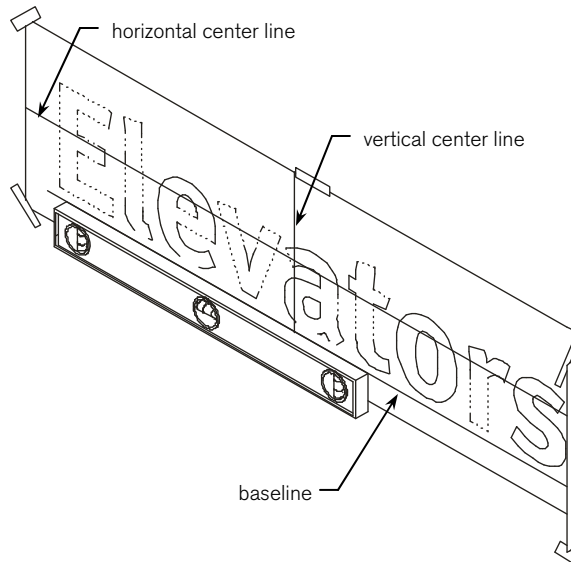
Recommended Cleaning Materials:

- Lint Free Cloth or Wipes
- Clear Water in Spray Bottle
- Fantastik® All Purpose Heavy Duty Cleaner
- Drop Cloth or Dust Pan

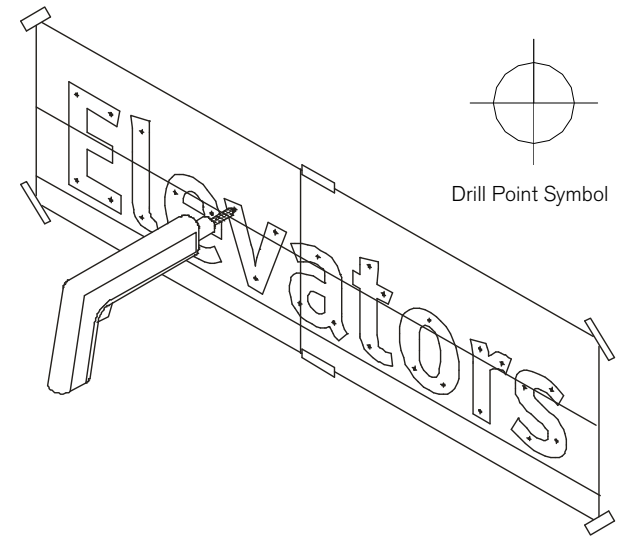
Important: Wall surface must be clean and dry prior to adhering lettering. Allow paint to dry at least 72 hours.

K01 - Dimensional Letters (Stud Mount)

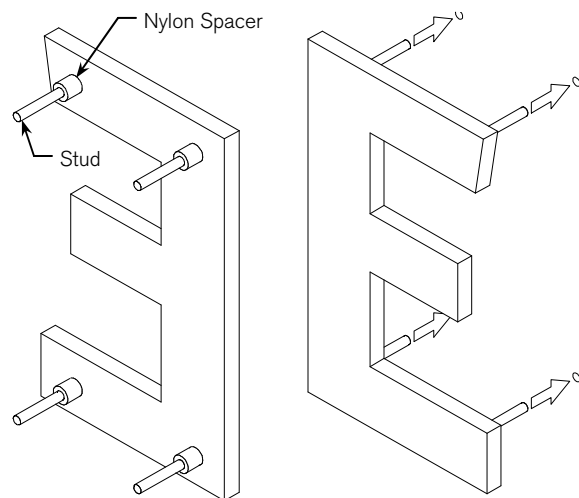
Step 1:
 Tape pattern at desired location. Check for level using baseline (paper may be cut crooked). Tape to wall making sure pattern is free of wrinkles.



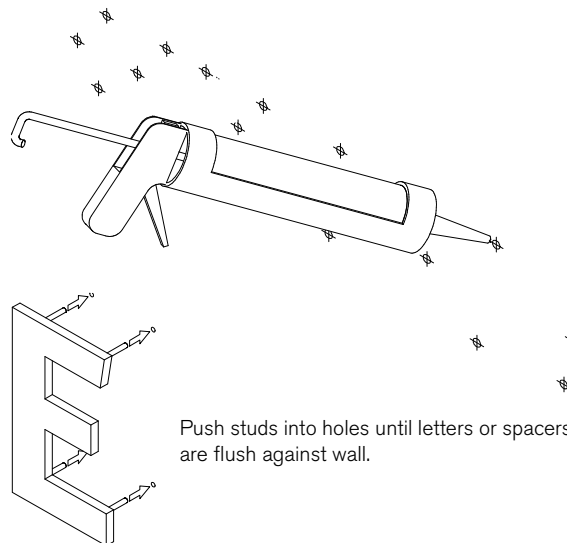
Step 2:
 Punch through center drill point symbol on pattern (holes are identified with a circle and a center mark). Leave bottom tapped and fold over. Drill 3/16" holes using template for reference as needed. Deburr holes in drywall.



Step 3:
 Finger tighten threaded studs into holes in back of each letter. Install nylon spacers (if applicable) on studs.



Step 4:
 Fill holes with silicone adhesive. Be careful not to over-apply silicone. Using too much may result in adhesive seeping from stud spacer when sign is pressed against wall.



Step 5:
 Remove finger prints from letter faces and edges using recommended cleaning materials. DO NOT use ammonia or alcohol based cleaners.

