

**K02 Hardware Kit Includes:**  
 Pattern

**Materials/Tools Required:**  
 Level  
 Masking Tape  
 Tape Measure

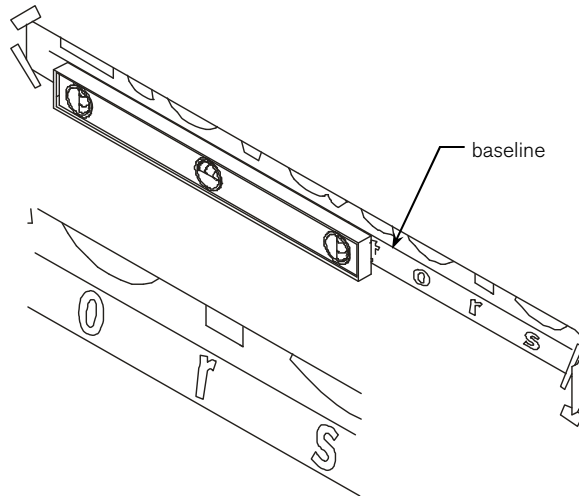
**Recommended Cleaning Materials:**  
 Lint Free Cloth or Wipes  
 Clear Water in Spray Bottle  
 Fantastik® All Purpose Heavy Duty Cleaner

**Important: Wall surface must be clean and dry prior to adhering lettering. Allow paint to dry at least 72 hours.**

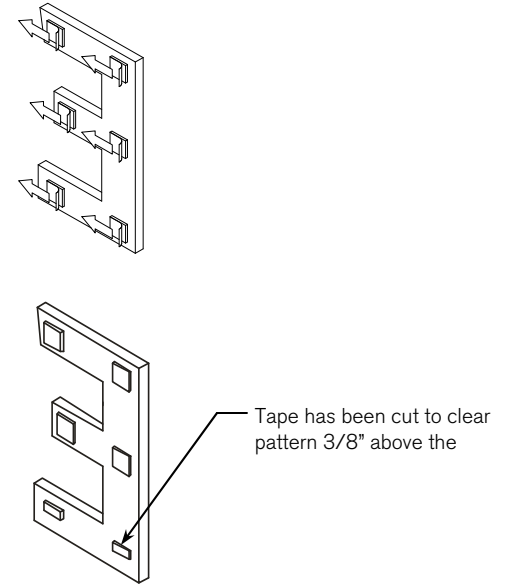
**Note:**  
 The pattern shows the bottom of each letter. To assist you, the full letter is provided directly below.

**K02 - Dimensional Letters (Tape Mount)**

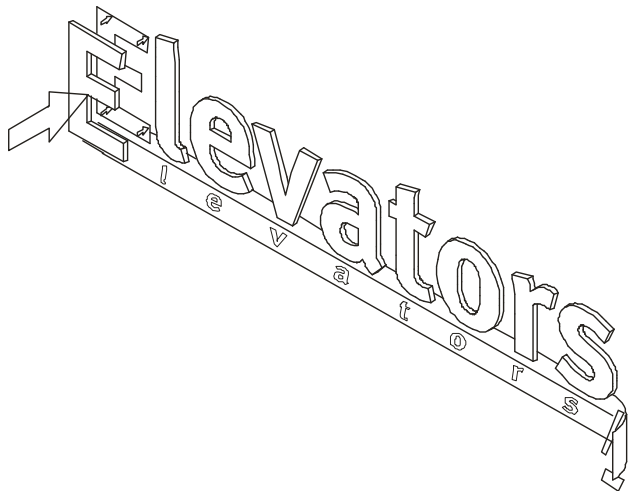
**Step 1:**  
 Tape pattern at desired location. Check for level using baseline (paper may be cut crooked). Tape to wall making sure pattern is free of wrinkles.



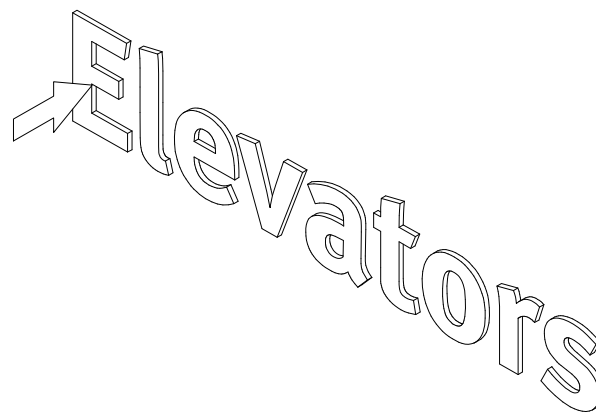
**Step 2:**  
 Remove VHB tape backers on letter.



**Step 3:**  
 Press letter to wall. Repeat Steps 2 and 3 for remaining letters.



**Step 4:**  
 Carefully remove pattern by pulling it down and away from letters.



**Step 5:**  
 Remove finger prints from letter faces and edges using recommended cleaning materials. DO NOT use ammonia or alcohol based cleaners.