

K21-2 Hardware Kit Includes:
 Mounting Fixture

And either A, B, C or D set of hardware per below:
 (1 set for Single Post, 2 sets for Double Post)

- A.
- | | | |
|--------------------------|-----|-----------------|
| 3/8-16 Anchor T-Weldment | (4) | 900-93980A150-T |
| 3/8-16 x 1.25 SS SHCS | (4) | 900-92196A626 |
| 3/8 SS Lock Washer | (4) | 900-92146A031 |
| 3/8 SS Flat Washer | (4) | 900-92141A031 |

- B.
- | | | |
|--------------------------|-----|-----------------|
| 1/2-13 Anchor T-Weldment | (4) | 900-93980A170-T |
| 1/2-13 x 1.25 SS SHCS | (4) | 900-92196A714 |
| 1/2 SS Lock Washer | (4) | 900-92146A033 |
| 1/2 SS Flat Washer | (4) | 900-92141A033 |

- C.
- | | | |
|--------------------------|-----|-----------------|
| 5/8-11 Anchor T-Weldment | (4) | 900-93980A190-T |
| 5/8-11 x 1.75 SS SHCS | (4) | 900-92196A800 |
| 5/8 SS Lock Washer | (4) | 900-92146A035 |
| 5/8 SS Flat Washer | (4) | 900-92141A035 |

- D.
- | | | |
|--------------------------|-----|-----------------|
| 3/4-10 Anchor T-Weldment | (4) | 900-93980A210-T |
| 3/4-10 x 2.00 SS SHCS | (4) | 900-92196A843 |
| 3/4 SS Lock Washer | (4) | 900-92146A036 |
| 3/4 SS Flat Washer | (4) | 900-92141A056 |

Materials/Tools Required:

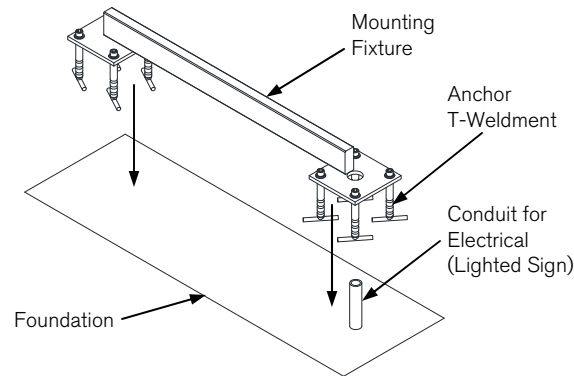
- Level
 Tape Measure
 Hex L-Key
- 5/16" for SHCS in "A" set of hardware
 - 3/8" for SHCS in "B" set of hardware
 - 1/2" for SHCS in "C" set of hardware
 - 5/8" for SHCS in "D" set of hardware

K21-2 - SIGNIFY PC & PP FLANGE MOUNT INSTALL

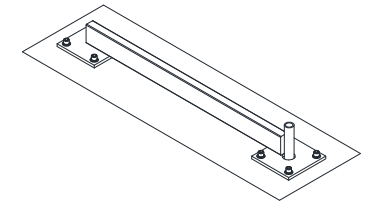
NEW FOUNDATION

Step 1a: Mounting Fixture Installation

Before pouring concrete, check conduit location with sign base to ensure clearance and test fit fixture bolt pattern to ensure clearance with rebar. After concrete foundation is poured and top surface is leveled, determine position on foundation where sign is to be mounted. Position fixture above non-cured concrete and slowly lower it evenly into concrete to prevent air pockets. Once fixture is set flush on concrete surface, recheck and reposition as needed.

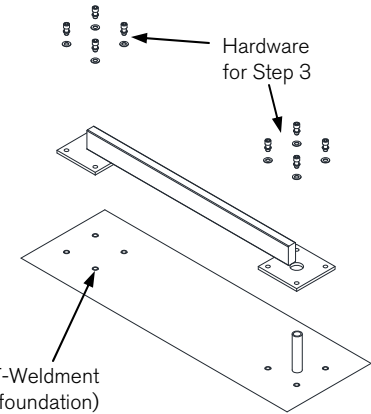


Step 1b: Mounting Fixture Installation Complete
 Example at right of a Double Post & Panel mounting fixture installed.



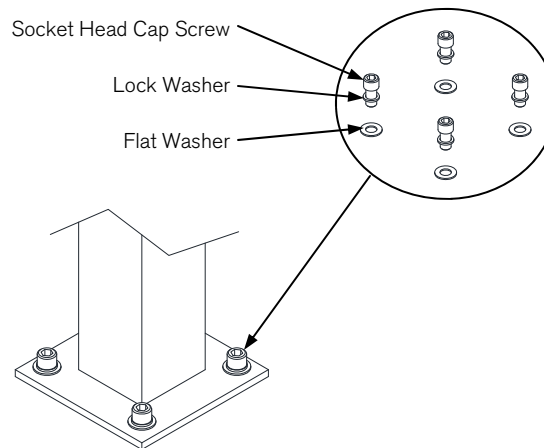
Step 2: Mounting Fixture Removal

After concrete is set, unfasten socket head cap screws, lock washers and flat washers and set aside for Step 3. Remove mounting fixture and set aside for another sign if required or discard.



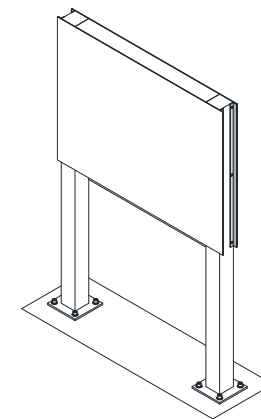
Step 3: Sign Mounting

Install sign to foundation using flat washers, lock washers and socket head cap screws, aligning mounting plate hole locations on bottom of sign with anchors. Use level to ensure sign is level/plumb. Shims (not provided) may be required to level sign if foundation is not level. For a clean finish, ensure shims are not showing. Optionally, grout under flange.

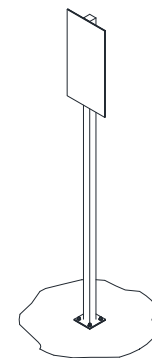


Step 4:

Remove fingerprints using mild non-abrasive household cleaning agents, such as water and mild liquid dish soap. An adequate rinse should follow cleaning to assure cleansing of finish. Dilute the cleaning solution so as not to harm grass and shrubbery.



Double Post & Panel Sign



Single Post & Panel Sign

***Important: When installing sign, it must be aligned and centered to foundation and surrounding design elements (ex: sidewalks, curbs, building fascia).**