

K37 Hardware Kit Includes:

- 3/8-16 SS Eyebolt (2) 900-01100
- Split Bolt, Cable Connector (2) 900-01102
- 3/8-16x1-5/8" Drop-in Anchor (2) 900-01103
- 3/8" Flat Washer (2) 900-92141A031
- 3/8" Lock Washer (2) 900-92146A031
- 3/8" Anchor Setting Tool * (REF) 900-01104
- SS Wire Rope Thimble (2) 900-3868T42

*Above tool bagged separately, 1-3 included per job.

Materials/Tools Required:

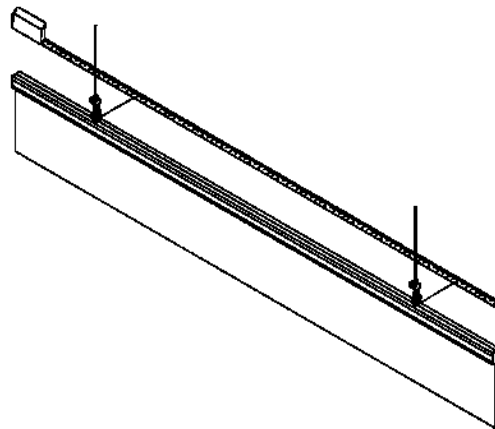
- Level / Pencil / Tape Measure / Hammer
- Drill with 1/2" masonry drill bit
- Wire Rope Cutter (for 3/32" SS Cable)
- 5/8" Wrench
- Adjustable Wrench

Recommended Cleaning Materials:

- Lint Free Cloth or Wipes
- Fantastik® All-Purpose Heavy Duty Cleaner

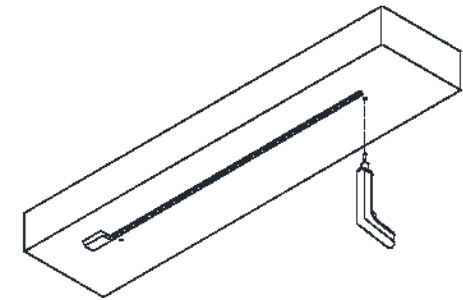
Step 1:

Measure center distance between cable connections on top of sign. This determines the center to center distance between anchors to be mounted in ceiling.



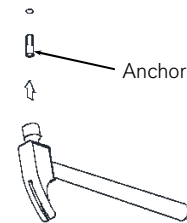
Step 2:

At desired sign mounting location mark ceiling with pencil, using measurement from Step 1. Use 1/2" diameter masonry bit to drill holes 1-5/8" minimum to 1-11/16" maximum depth in ceiling on marks.



Step 3a:

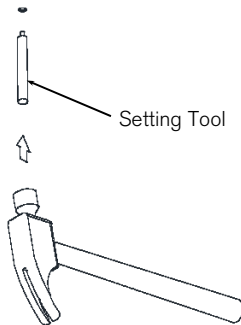
Insert anchors firmly into holes in ceiling, threaded end facing out, and tap remaining head of anchors in holes using hammer to seat flush. Proceed to Step 3b.



Step 3b:

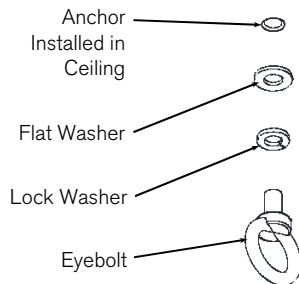
Locate setting tool packaged separately. This is required to properly set anchors into concrete.

For each anchor, insert smaller diameter end of setting tool into threaded end of anchor. While maintaining setting tool in line with anchor, hammer end of setting tool, driving it into anchor until shoulder protrudes 1/4" to 1/8" from end of anchor.



Step 4:

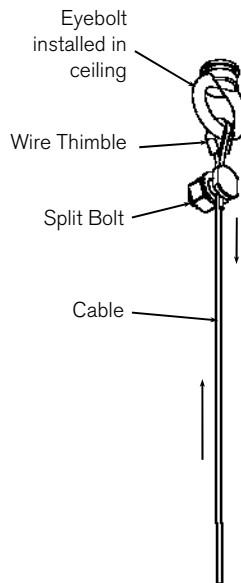
Install eyebolts into anchors using 3/8" flat and lock washers until eyebolt is securely fastened tight against ceiling surface.



Step 5:

Connect thimble to eyebolt. Insert end of cable through split bolt. Loop cable through eyelet of eyebolt, around thimble, and back through split bolt. Pull excess cable through to adjust sign height above floor, as determined by architect. Cinch split bolt to thimble, creating a tight cable loop, making sure the cable will not come off of thimble. Use 5/8" wrench and torque wrench to tighten split bolt applying 25 ft.-lbs. of torque to ensure a secure connection.

Repeat for other cable end, adjusting height to ensure sign is level in final position. Cut excess cable, leaving 1/4" to 1/2" excess cable exiting split bolt.



Step 6:

Remove finger prints from sign using recommended cleaning materials. DO NOT scrub when cleaning sign faces. DO NOT use ammonia or abrasive materials.

