

K48 Hardware Kit Includes:

- | | | |
|------------------------------|-------|---------------|
| Aluminum Post, 1x1x48" | (2) | 350-0420-48P |
| Bracket, Lower, Inside | (2) | 900-01094 |
| Bracket, Upper, Outside | (2) | 900-01095 |
| Rubber Washer, .69 ODx.29 ID | (4) | 900-90130A040 |
| 1/4-20x5/8" Machine Screw | (2) | 900-91772A539 |
| 1/4-20 Lock Nut | (6) | 900-91831A029 |
| 1/4" Lock Washer | (2) | 900-92146A029 |
| 1/4-20x1-1/2" Hex Hd Screw | (2) | 900-92198A546 |
| 1/4-20x1-3/4" Hex Hd Screw | (2) | 900-92198A548 |
| 3/8-16x1-5/8" Drop-in Anchor | (2) | 900-01103 |
| 3/8" Flat Washer | (2) | 900-92141A031 |
| 3/8" Lock Washer | (2) | 900-92146A031 |
| 3/8-16x3/4" Hex Head Screw | (2) | 900-92240A622 |
| 3/8" Anchor Setting Tool * | (REF) | 900-01104 |

*Above tool bagged separately, 1-3 included per job.

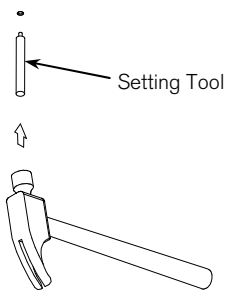
Materials/Tools Required:

- Level / Pencil / Tape Measure / Hammer
 7/16" Wrench / 5/8" Wrench / Adjustable Wrench
 Drill with 1/2" masonry drill bit / 9/32" drill bit
 #3 Phillips Head bit with 2" extension
 Chop Saw with metal blade

Step 3b:

Locate setting tool packaged separately. This is required to properly set anchors into concrete.

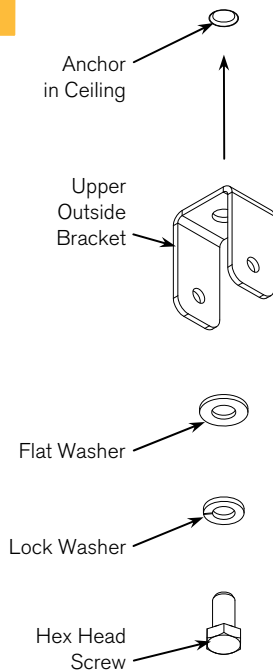
For each anchor, insert smaller diameter end of setting tool into threaded end of anchor. While maintaining setting tool in line with anchor, hammer end of setting tool, driving it into anchor until shoulder protrudes 1/4" to 1/8" from end of anchor.



Step 4:

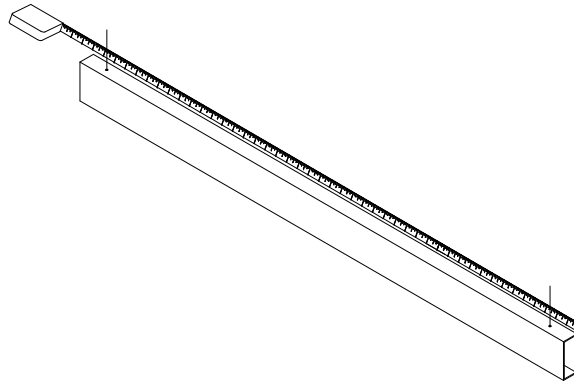
Mount upper outside bracket (the larger of the two types of brackets included in kit) flush to ceiling using 3/8" flat washer, 3/8" lock washer and 3/8-16 x 3/4" long hex head screw. Orient the bracket such that the left and right tabs with holes are facing opposite the direction the sign will face.

Repeat step for mounting of second upper outside bracket flush to ceiling at second anchor location.



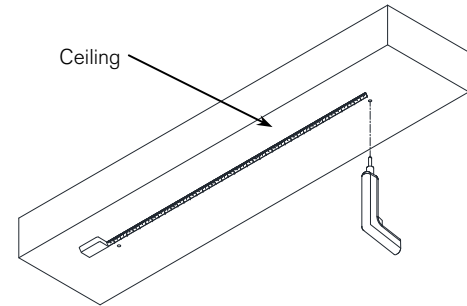
Step 1:

Measure center to center distance between holes located on top of bang bar. This determines the center to center distance between anchors to be mounted in ceiling.



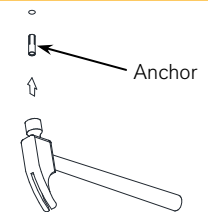
Step 2:

At desired bang bar mounting location mark ceiling with pencil, using measurement from Step 1. Use 1/2" diameter masonry bit to drill holes 1-5/8" minimum to 1-11/16" maximum depth in ceiling on marks.



Step 3a:

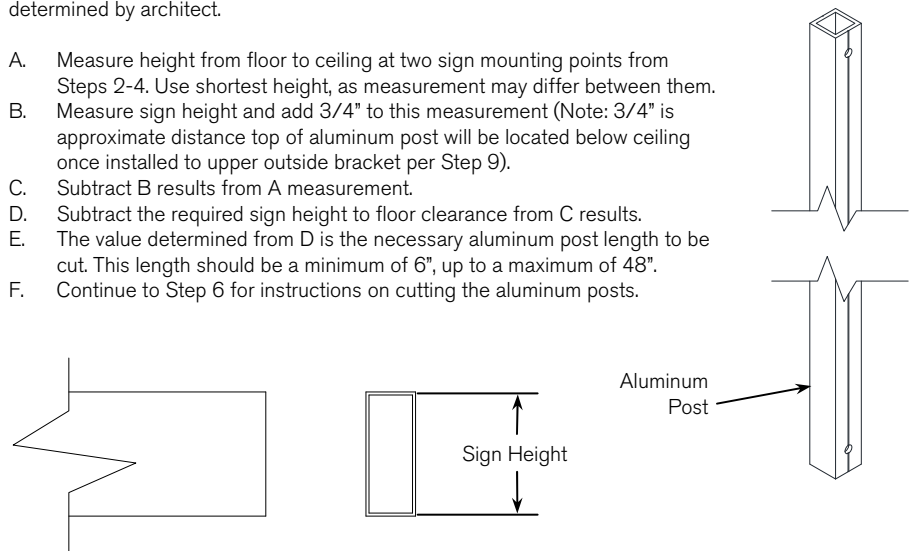
Insert anchors firmly into holes in ceiling, threaded end facing out, and tap remaining head of anchors in holes using hammer to seat flush. Proceed to Step 3b.



Step 5:

Determine aluminum post length per below in order to cut aluminum posts to length necessary to install bang bar at required height clearance from floor, as determined by architect.

- Measure height from floor to ceiling at two sign mounting points from Steps 2-4. Use shortest height, as measurement may differ between them.
- Measure sign height and add 3/4" to this measurement (Note: 3/4" is approximate distance top of aluminum post will be located below ceiling once installed to upper outside bracket per Step 9).
- Subtract B results from A measurement.
- Subtract the required sign height to floor clearance from C results.
- The value determined from D is the necessary aluminum post length to be cut. This length should be a minimum of 6", up to a maximum of 48".
- Continue to Step 6 for instructions on cutting the aluminum posts.



K48 Hardware Kit Includes:

- | | | |
|------------------------------|-------|---------------|
| Aluminum Post, 1x1x48" | (2) | 350-0420-48P |
| Bracket, Lower, Inside | (2) | 900-01094 |
| Bracket, Upper, Outside | (2) | 900-01095 |
| Rubber Washer, .69 ODx.29 ID | (4) | 900-90130A040 |
| 1/4-20x5/8" Machine Screw | (2) | 900-91772A539 |
| 1/4-20 Lock Nut | (6) | 900-91831A029 |
| 1/4" Lock Washer | (2) | 900-92146A029 |
| 1/4-20x1-1/2" Hex Hd Screw | (2) | 900-92198A546 |
| 1/4-20x1-3/4" Hex Hd Screw | (2) | 900-92198A548 |
| 3/8-16x1-5/8" Drop-in Anchor | (2) | 900-01103 |
| 3/8" Flat Washer | (2) | 900-92141A031 |
| 3/8" Lock Washer | (2) | 900-92146A031 |
| 3/8-16x3/4" Hex Head Screw | (2) | 900-92240A622 |
| 3/8" Anchor Setting Tool * | (REF) | 900-01104 |

*Above tool bagged separately, 1-3 included per job.

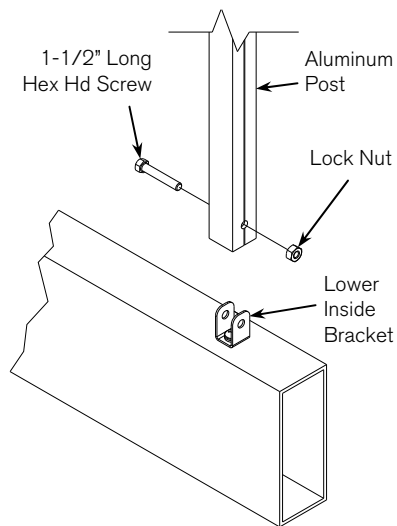
Materials/Tools Required:

- Level / Pencil / Tape Measure / Hammer
 7/16" Wrench / 5/8" Wrench / Adjustable Wrench
 Drill with 1/2" masonry drill bit / 9/32" drill bit
 #3 Phillips Head bit with 2" extension
 Chop Saw with metal blade

Step 8:

Attach end of aluminum post to lower inside bracket, seated flush to top of sign, using lock nut and 1/4-20 x 1-1/2" long hex head screw.

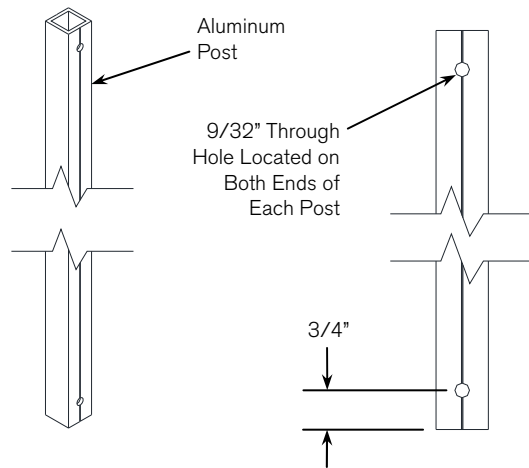
Repeat step for mounting of second aluminum post to opposite end of sign.



Step 6:

Using a chop saw, cut both aluminum posts to length as calculated from Step 5.

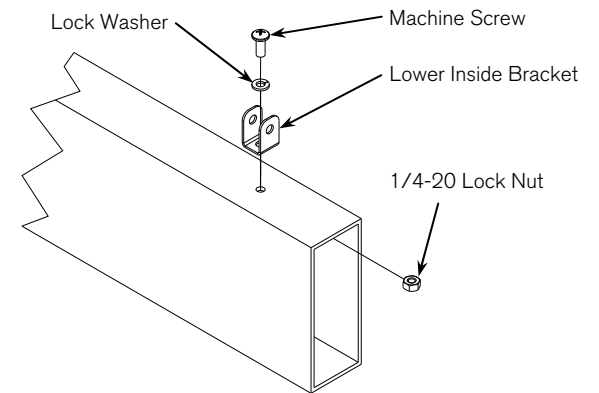
Use 9/32" diameter drill bit to drill hole through post, 3/4" from ends of post, on center as shown below.



Step 7:

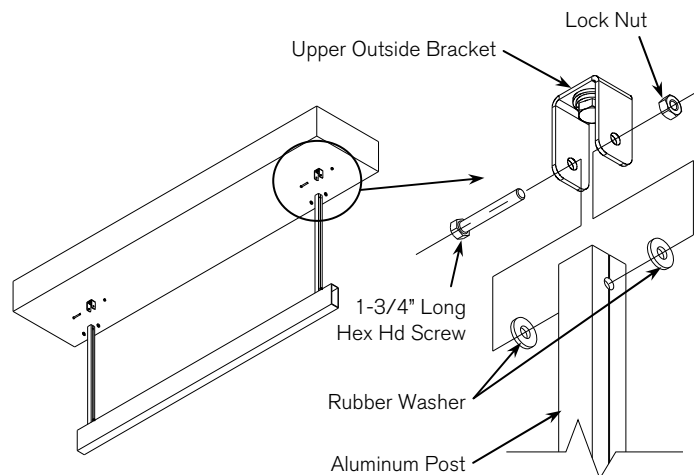
Mount lower inside bracket flush to top of bang bar using 1/4" lock washer, 1/4-20 x 5/8" long machine screw, and 1/4-20 lock nut. Orient the bracket such that the left and right tabs with holes are facing opposite the direction of the sign face.

Repeat step for mounting of second lower inside bracket flush to top at opposite end of bang bar.



Step 9:

Attach top end of aluminum posts to upper outside brackets installed in ceiling, using 1/4-20 lock nut, 1/4-20 x 1-3/4" long hex head screw and two rubber washers per post. Position rubber washers on each side between bracket and post, before inserting screw through all parts. Tighten screw and lock nut such that bang bar is unable to swing freely.



Step 10:

Remove finger prints from bang bar using a lint free cloth and Fantastik® All-Purpose Heavy Duty Cleaner or other mild non-abrasive household cleaning agents. DO NOT scrub when cleaning sign faces. DO NOT use ammonia or abrasive materials.

