



**K52 Hardware Kit Includes:**

- #10-24 Drywall Toggle (2) 900-01024
- #10-24x2.5" Machine Screw (2) 900-110170359
- #10 Wall Anchor (2) 900-01028
- #10x1.5" Sheet Metal Screw (2) 900-1172936
- Non-Wedge Cleat Puck (2) 900-01112
- Mounting Template

Note: Multiple K52 kits are supplied to match the cleat count per sign.

**Materials/Tools Required:**

Tape / Level / Pencil / Tape Measure / Hammer  
 Drill with 7/32" and 1/2" drill bit and Phillips Head bit

**Recommended Cleaning Materials:**

Lint Free Non-abrasive Cloth or Wipes  
 Fantastik® All-Purpose Heavy Duty Cleaner

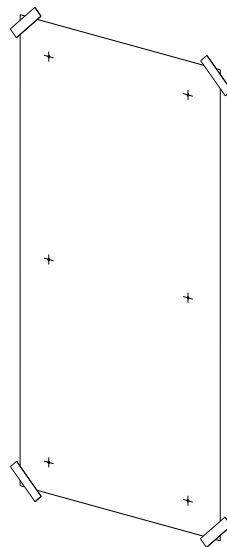
**Important Installation Guidelines:**

1. A minimum clearance of 2" from ceiling to top of sign (in final position on wall) is required for installation.
2. When mounting button or magnetic system backers adjacent to each other, they must be spaced 1/4" apart if mounting plaques between backers is required. When mounting rod system backers adjacent to each other, they must be spaced 3-1/4" apart if mounting plaques between backers is required.

**K52 - APPLAUD—Cleat Mount Installation**

**Step 1:**

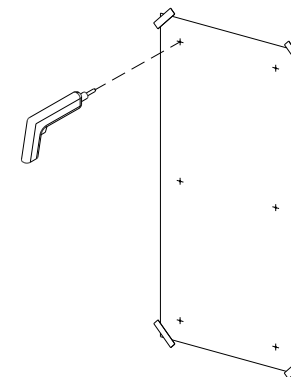
Tape template on wall at desired location, using a level to ensure bottom of template is level/plumb.



**Step 2:**

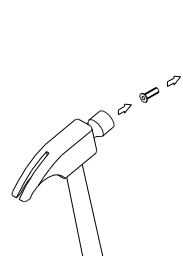
At hole center marks in template, drill holes using method A or B, depending on wall conditions as noted below:

- A. For concrete/masonry installation, the recommended mounting hardware is a wall anchor. Drill 7/32" diameter holes. Install anchors per Step 3a.
- B. For drywall installation, the recommended mounting hardware is a drywall toggle. Drill 1/2" diameter holes and deburr them. Insert toggles per Step 3b.



**Step 3a: Wall Anchors**

Drive anchors into masonry wall and seat flush. Proceed to Step 4.



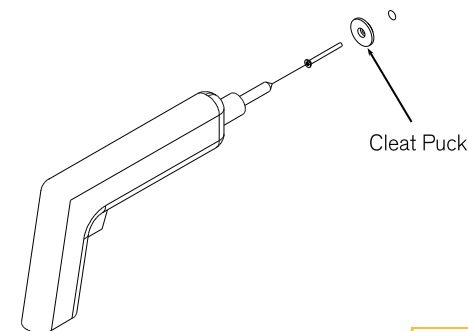
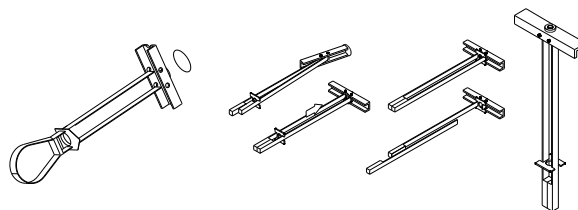
**Step 4:**

If going into anchors, use drill with phillips head bit to install #10 sheet metal screws through counterbored holes of cleat pucks and into wall anchors. Ensure that cleat pucks are seated flush to wall with counterbored side facing out away from wall.

If going into drywall toggles, use drill with phillips head bit to install #10 pan head machine screws through counterbored holes of cleat pucks and into wall anchors. Ensure that cleat pucks are seated flush to wall with counterbored side facing out away from wall.

**Step 3b: Drywall Toggles**

Insert toggles into holes. Cinch retaining ring until tight against wall and seated in each hole. Break off excess plastic. Proceed to Step 4.





K52 - APPLAUD—Cleat Mount Installation

**K52 Hardware Kit Includes:**

- #10-24 Drywall Toggle (2) 900-01024
- #10-24x2.5" Machine Screw (2) 900-110170359
- #10 Wall Anchor (2) 900-01028
- #10x1.5" Sheet Metal Screw (2) 900-1172936
- Non-Wedge Cleat Puck (2) 900-01112
- Mounting Template

Note: Multiple K52 kits are supplied to match the cleat count per sign.

**Materials/Tools Required:**

Tape / Level / Pencil / Tape Measure / Hammer  
 Drill with 7/32" and 1/2" drill bit and Phillips Head bit

**Recommended Cleaning Materials:**

Lint Free Non-abrasive Cloth or Wipes  
 Fantastik® All-Purpose Heavy Duty Cleaner

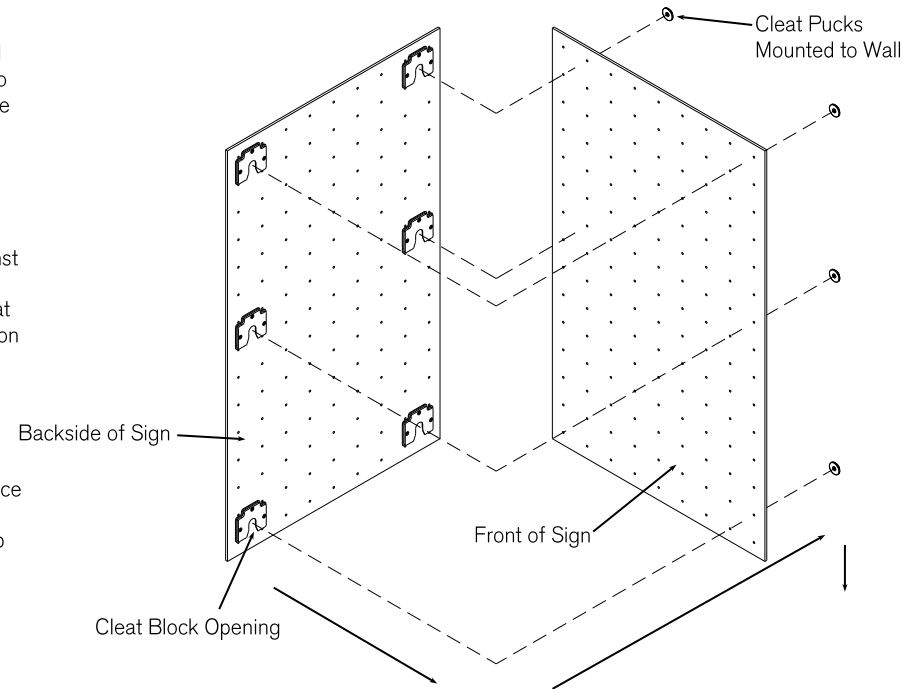
**Important Installation Guidelines:**

1. A minimum clearance of 2" from ceiling to top of sign (in final position on wall) is required for installation.
2. When mounting button or magnetic system backers adjacent to each other, they must be spaced 1/4" apart if mounting plaques between backers is required. When mounting rod system backers adjacent to each other, they must be spaced 3-1/4" apart if mounting plaques between backers is required.

**Step 5:**  
 Verify if locking option is included on backside of sign by referring to Locking Option Instructions on the bottom of this page. If no locking option exists, proceed to Step 6.

**Step 6:**  
 Carefully position sign flush against wall with cleat block openings on backside of sign aligned over cleat pucks. Slide sign down into position to engage contact with all cleat pucks, securing sign against wall.

**Step 7:**  
 Remove finger prints from sign face and edges using recommended cleaning materials. DO NOT scrub when cleaning sign. DO NOT use ammonia or abrasive materials.

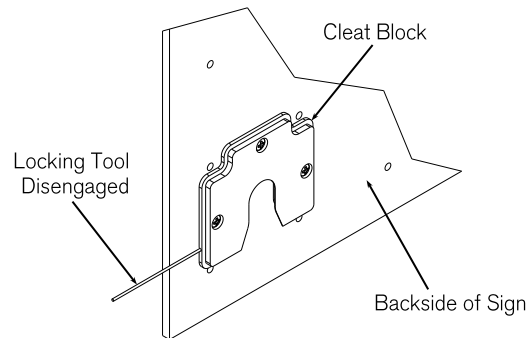


**Locking Option Instructions**

**Part A: Disengaging Lock**

If locking tool is included in cleat block on backside of sign (look for 1/16" metal rod protruding from cleat block), carefully remove tape holding tool in place for shipping.

Pull locking tool out, away from cleat block, until it stops. This disengages the locking feature, allowing the sign to be installed. Proceed with Step 6 on the top of this page to install sign to wall. Make sure to re-engage locking feature, per Part B, once installation to wall is complete.



**Part B: Engaging Lock**

Push locking tool inward, towards cleat block, until it stops. This engages the locking feature, preventing the sign from being removed from the wall.

Note: In the engaged position the end of the tool should be hidden just inside and behind sign when viewing sign from front view.

