

**K88 Hardware Kit Includes:**

- Wall Mount Brackets
- Distortion Brackets (if supplied)
- Assembly and Wall Mounting Screws
- Wall Anchors
- Allen Key
- Assembly Screws (if not fully assembled when shipped)
- (# of fasteners included will vary based on frame size)

**Materials/Tools Required:**

- Level / Tape Measure / Hammer
- Drill with Phillips Head bit

**Recommended Cleaning Materials:**

- Lint Free Cloth or Wipes
- Fantastik® All-Purpose Heavy Duty Cleaner (frame only)
- Tide To Go® or OxiClean™ Stain Remover (graphic only)

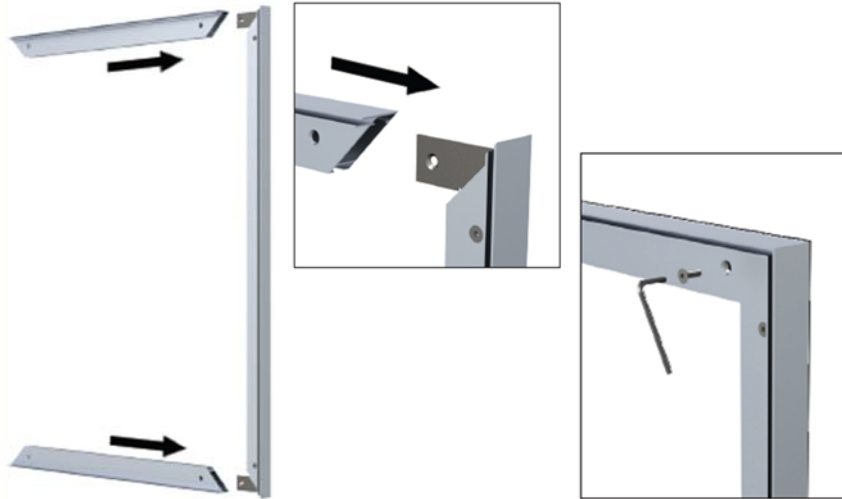
**Important Installation Note:**

For assembly purposes, product shown is a generic frame. Although size of frame and quantity of support bars may differ, instructions remain the same.

**Part I: Frame Assembly**

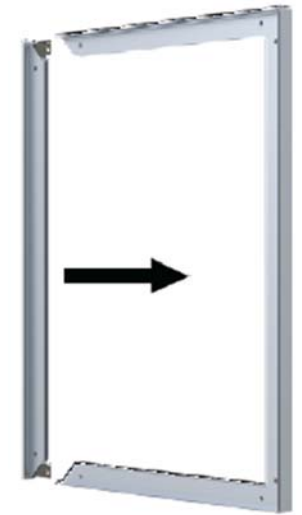
**Step 1:**

Assemble frame on clean flat surface. Using screws provided, assemble two frame-sides without bracket to first frame side with brackets.



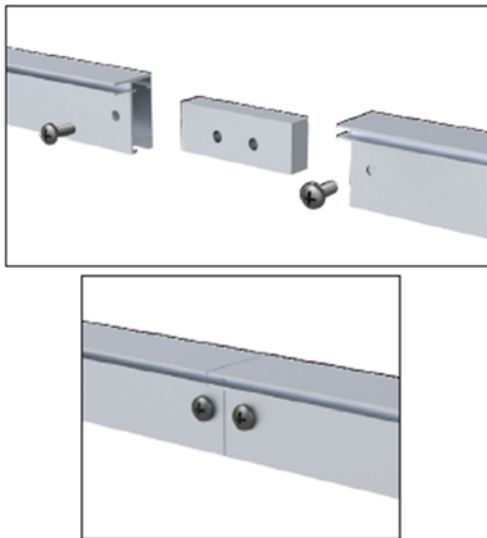
**Step 2:**

Connect second frame-side with brackets to assembled portion of frame.



**Step 3:**

If frame width or length in multiple sections (typically for frames over 93"), place frame joiner in between frame halves. Align frame holes with joiner holes and use Phillips head screws to secure.



**Step 4:**

If center support bar provided (typically for frames over 93"), place bar into frame channel and use Allen key to expand end bracket inside support bar to secure it into frame channel.



### K88 Hardware Kit Includes:

Wall Mount Brackets  
Distortion Brackets (if supplied)  
Assembly and Wall Mounting Screws  
Wall Anchors  
Allen Key  
Assembly Screws (if not fully assembled when shipped)  
(# of fasteners included will vary based on frame size)

### Materials/Tools Required:

Level / Tape Measure / Hammer  
Drill with Phillips Head bit

### Recommended Cleaning Materials:

Lint Free Cloth or Wipes  
Fantastik® All-Purpose Heavy Duty Cleaner (frame only)  
Tide To Go® or OxiClean™ Stain Remover (graphic only)

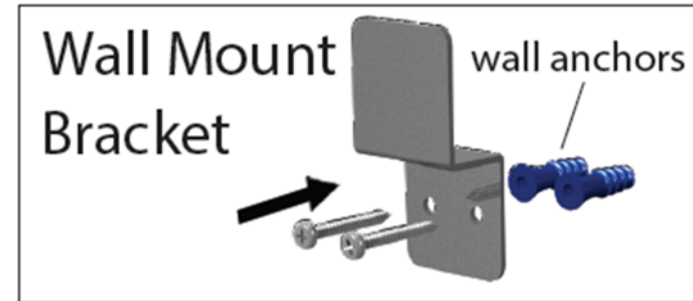
### Important Installation Note:

For assembly purposes, product shown is a generic frame. Although size of frame and quantity of support bars may differ, instructions remain the same.

## Part II: Mounting Frame Assembly to Wall

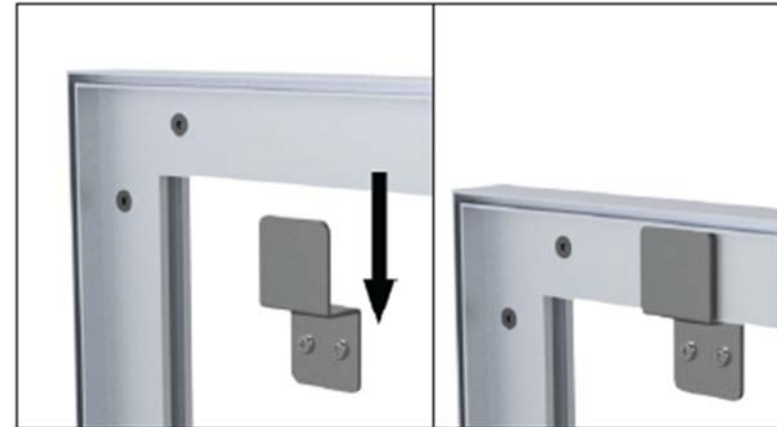
### Step 1:

Position top row of wall mount brackets level on wall and mark mounting hole locations. Install wall anchors into masonry or drywall. Mount brackets onto wall using screws.



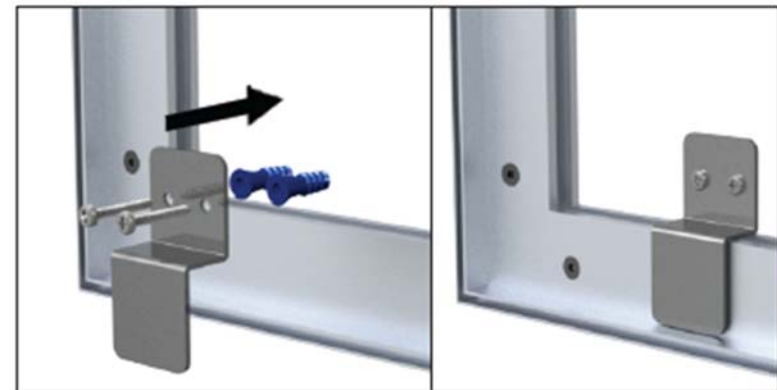
### Step 2:

Slide frame onto top row of brackets.



### Step 3:

Position bottom row of wall mount brackets level on wall and mark mounting hole locations. Install wall anchors into masonry or drywall. Mount brackets onto wall using screws to complete secure mounting of frame assembly to wall.



**K88 Hardware Kit Includes:**

- Wall Mount Brackets
- Distortion Brackets (if supplied)
- Assembly and Wall Mounting Screws
- Wall Anchors
- Allen Key
- Assembly Screws (if not fully assembled when shipped)
- (# of fasteners included will vary based on frame size)

**Materials/Tools Required:**

- Level / Tape Measure / Hammer
- Drill with Phillips Head bit

**Recommended Cleaning Materials:**

- Lint Free Cloth or Wipes
- Fantastik® All-Purpose Heavy Duty Cleaner (frame only)
- Tide To Go® or OxiClean™ Stain Remover (graphic only)

**Important Installation Note:**

For assembly purposes, product shown is a generic frame. Although size of frame and quantity of support bars may differ, instructions remain the same.

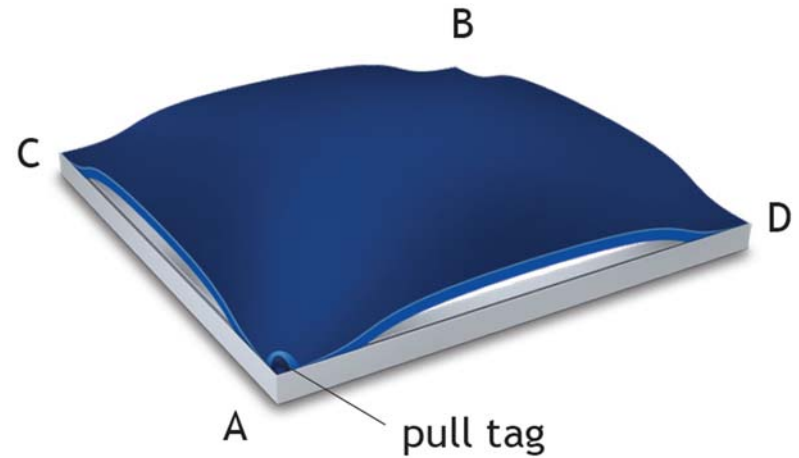
K88 - 1.25" Depth Exude Wall Mount SEG Frame

## Part III: Install Face Graphic

**Step 1:**

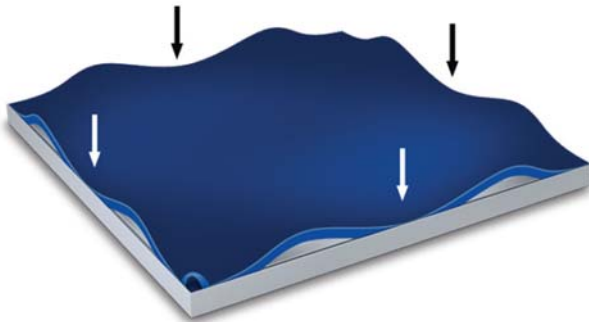
To install face graphic, take corner with pull tag on it and press 6" to 10" of silicone into frame face channel corner A. Repeat for opposite corner B. Repeat for next corner C. Lastly, repeat for final corner D.

Important: Leave pull tag hanging out after installation for ease of future removal.



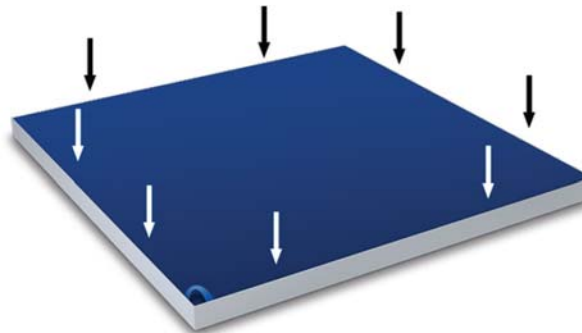
**Step 2:**

After all corners are pressed in, press silicone into frame channel at mid-points on all four sides.



**Step 3:**

Press silicone into frame channel evenly between corners and midpoints. This prevents graphic from bunching up or stretching too much and will ensure a smooth and tight fit.



**Step 4:**

To remove face graphic from frame, simply pull tag outward to release face fabric from frame channel.

