

K90 Hardware Kit Includes:

- Flat Head Machine Screws
- Allen Key
- Bases
- (# of bases depends on frame size)

Materials/Tools Required:

- Level
- Tape Measure
- White Electrical Tape

Recommended Cleaning Materials:

- Lint Free Cloth or Wipes
- Fantastik® All-Purpose Heavy Duty Cleaner (frame only)
- Tide To Go® or OxiClean™ Stain Remover (graphic only, gently rub with clean cloth to remove spot stains)

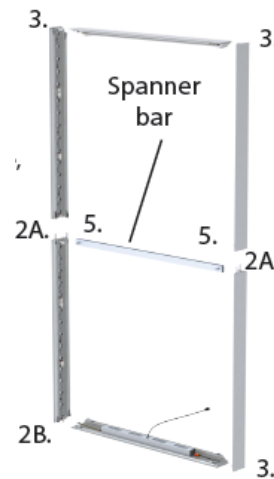
Important Installation Note:

For assembly purposes, product shown is a generic frame. Although size of frame and quantity of support bars for that frame may differ, instructions remain the same.

Part I: Frame Assembly

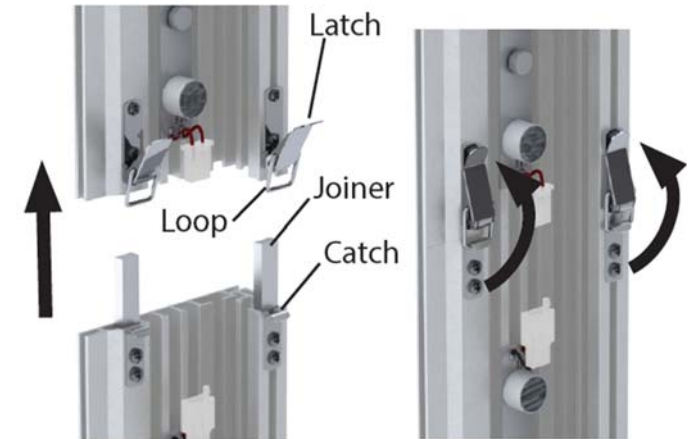
Step 1:

Assemble frame on clean flat surface and match section numbers, 1, 2 next to 1, 2 next to 2, 3 next to 3, etc.



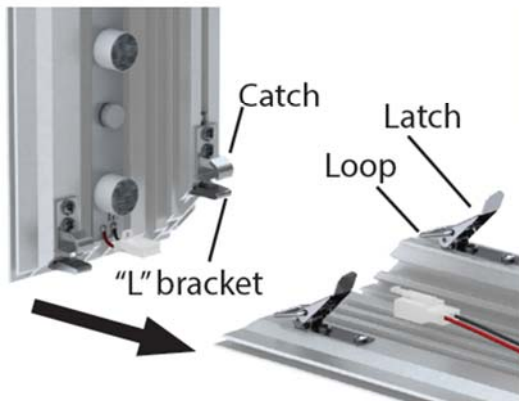
Step 2:

Connect the straight pieces first. At each connection point, there should be 2 latches and 2 catches. Slide extrusion into its matching half. Then lift latch handle up and place loop over catch.



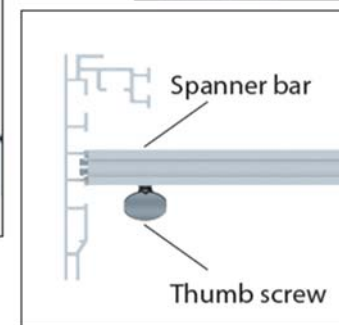
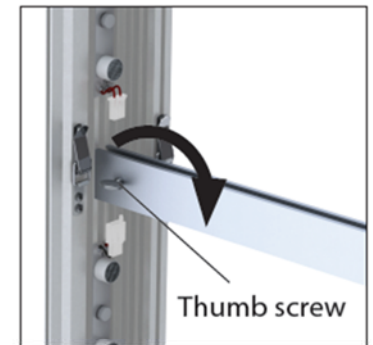
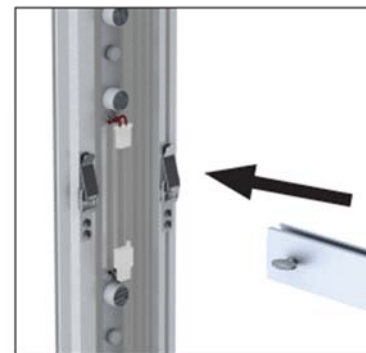
Step 3:

Connect corner pieces next by using catch and loops provided on extrusions. Repeat for other 3 corners.



Step 4:

If spanner bar provided (typically for frames over 93"), place bar into frame channel and use thumb screw to expand end bracket inside spanner bar to secure it into frame channel.



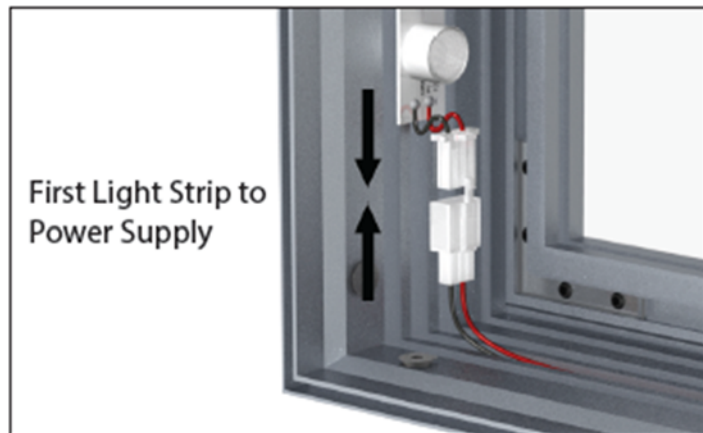
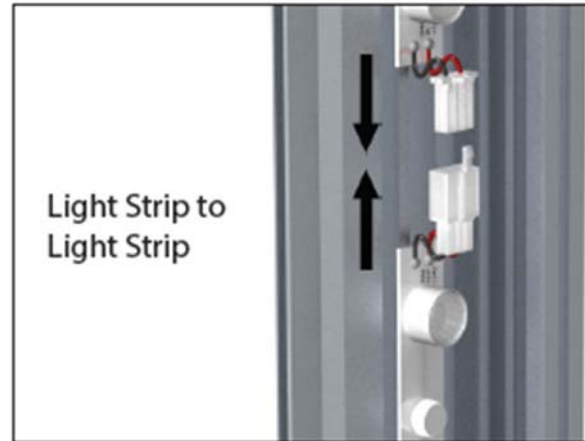
**Part II: Connecting Electrical Components
(for illuminated frames only)**

Step 1:

At each break in extrusion, identify orange or white electrical connector. Then connect white female connectors to their color matching male connectors and orange female connector to their color matching male connector. Connectors must fully "click" together.

Important Electrical Note:

This sign is intended to be installed in accordance with the requirements of Article 600 of the National Electrical Code and/or other applicable codes. This includes proper grounding and bonding of the sign.



Step 2:

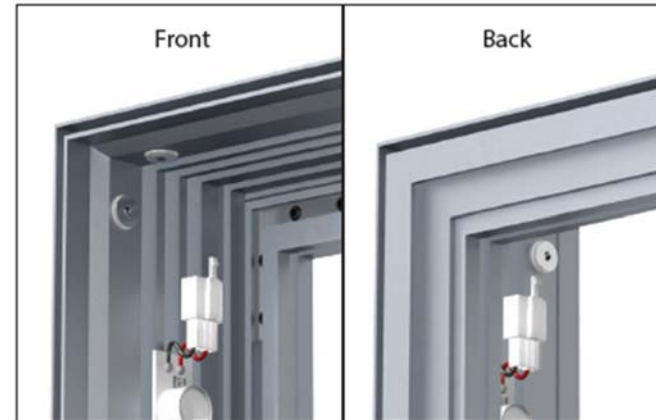
It is normal for last female white connector to be unconnected to anything else.



Unconnected and capped last female connector is normal

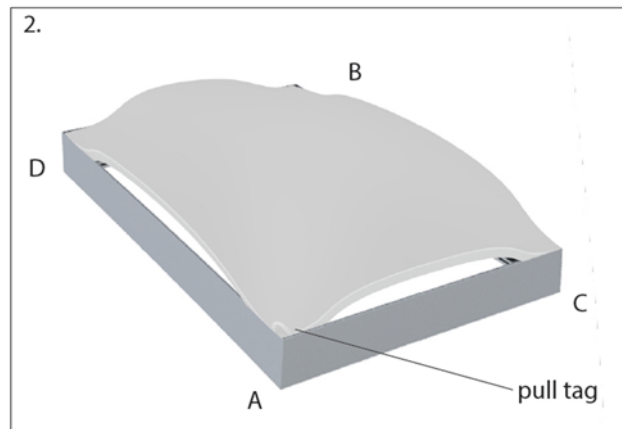
**Part III: Install Reflective Backer
(for illuminated single-sided
frames only)**

Step 1:
Identify **back** channel of frame extrusion.

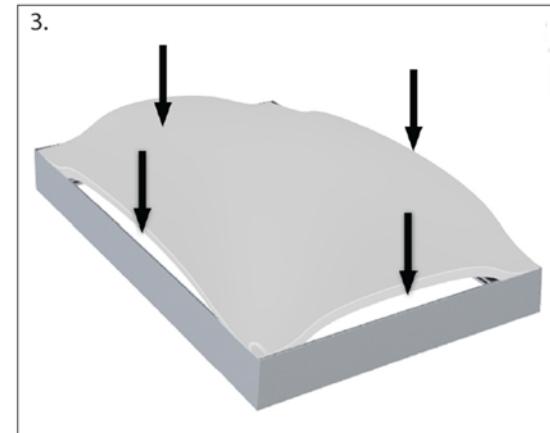


**Important Reflective Backer
Installation Note:**
Single-sided illuminated frames
require the use of a reflective fabric
backer to reflect light forward towards
the graphic face.

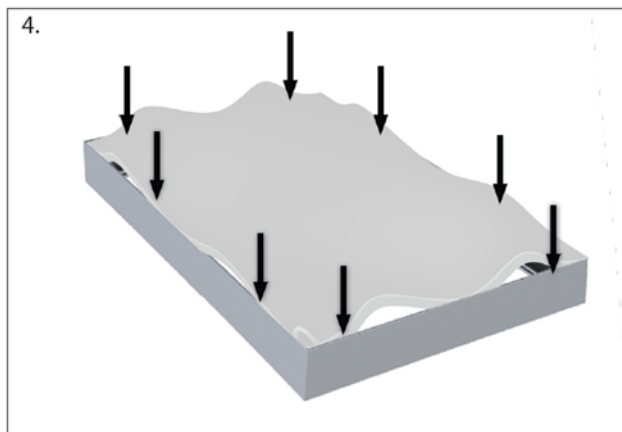
Step 2:
To install reflective
backer, take corner A
with pull tag on it and
press 6" to 10" of
silicone into frame back
channel A. Repeat for
opposite corner B.
Repeat for next corner C.
Lastly, repeat for final
corner D.



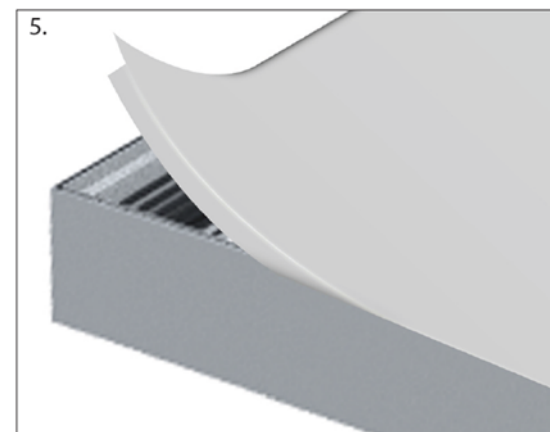
Step 3:
After all corners are
pressed in, press silicone
into frame channel at
mid-points on all four
sides.



Step 4:
Press silicone into frame
channel evenly between
corner and midpoints.
This prevents reflective
backer from bunching up
or stretching too much
and will ensure a smooth
and tight fit.



Step 5:
To remove reflective
backer from frame
channel, simply pull tag
outward to release
reflective backer from
frame channel.



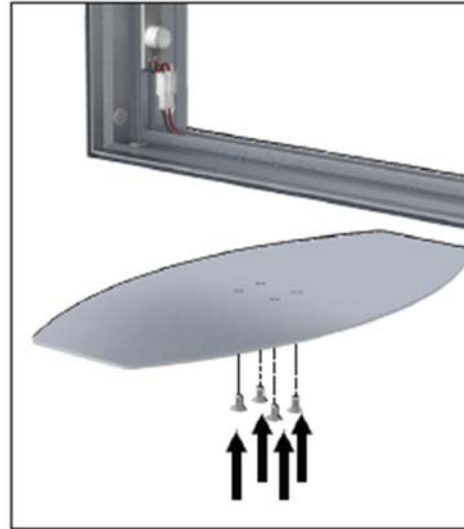
Mounting Caution Note:

Always ensure frame is secured together without risk of falling before completing the installation.

Part IV: Assemble Bases to Frame Assembly

Step 1:

Mount bases to bottom of frame assembly using flat head screws and Allen key.

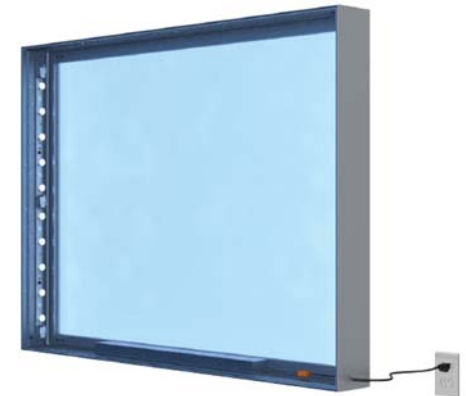
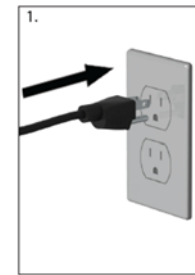


Part V: Install Face Graphic

Step 1 (skip this step if frame is non-illuminated):

Use white electrical tape to fasten any power cords inside frame assembly tight against frame to prevent blocking of LED lights that may result in shadowing (dark spots) when illuminated. Additionally, use white electrical tape to tie down any connectors from Part II hanging out loosely (not tight to frame) that may result in shadowing when illuminated.

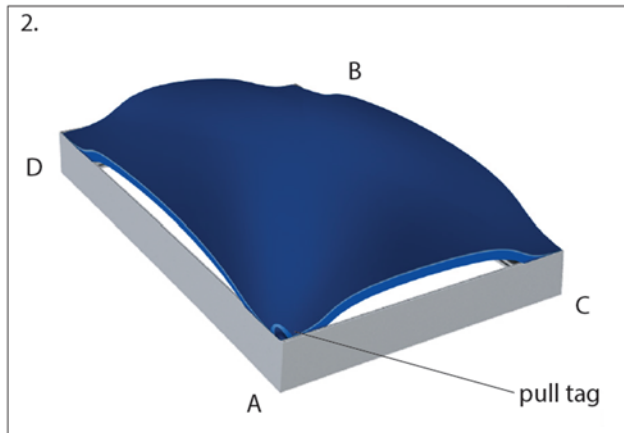
Note: Location of power outlet must be known prior to manufacture of frame assembly so that power cord can be positioned appropriately to accommodate location of outlet on wall. By default it is assumed power cord will be coming out of strain relief located at exterior lower left side of frame assembly for ease of plugging into power outlet on wall or floor.



Step 2:

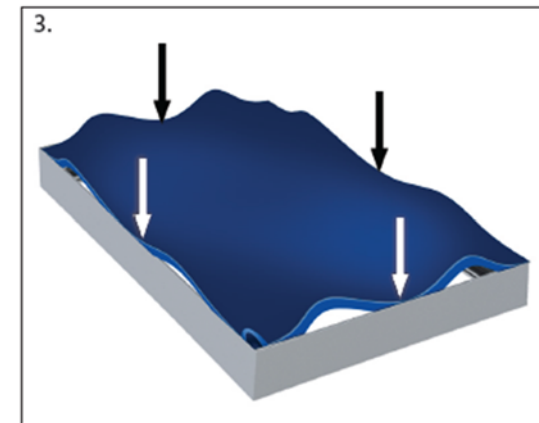
To install face graphic, take corner A with pull tag on it and press 6" to 10" of silicone into frame face channel corner A. Repeat for opposite corner B. Repeat for next corner C. Lastly, repeat for final corner D.

Important: Leave pull tag hanging out after installation for ease of future removal.



Step 3:

After all corners are pressed in, press silicone into frame channel at mid-points on all four sides.

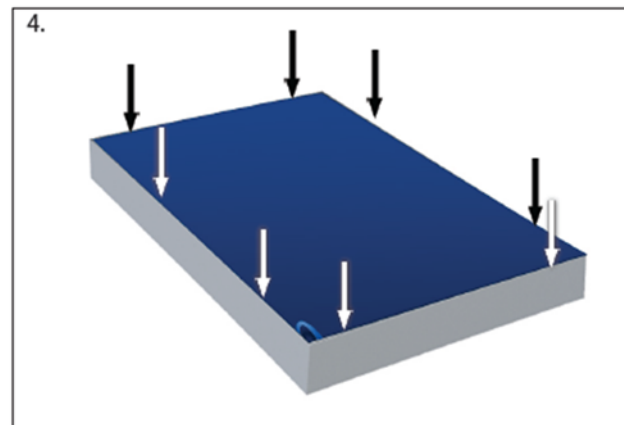


Step 4:

Press silicone into frame channel evenly between corner and midpoints. This prevents face fabric backer from bunching up or stretching too much and will ensure a smooth and tight fit.

Note:

Repeat steps 2-4 for double-sided freestanding frame assemblies.



Step 5:

To remove face fabric from frame, simply pull tag outward to release face fabric from frame channel.

