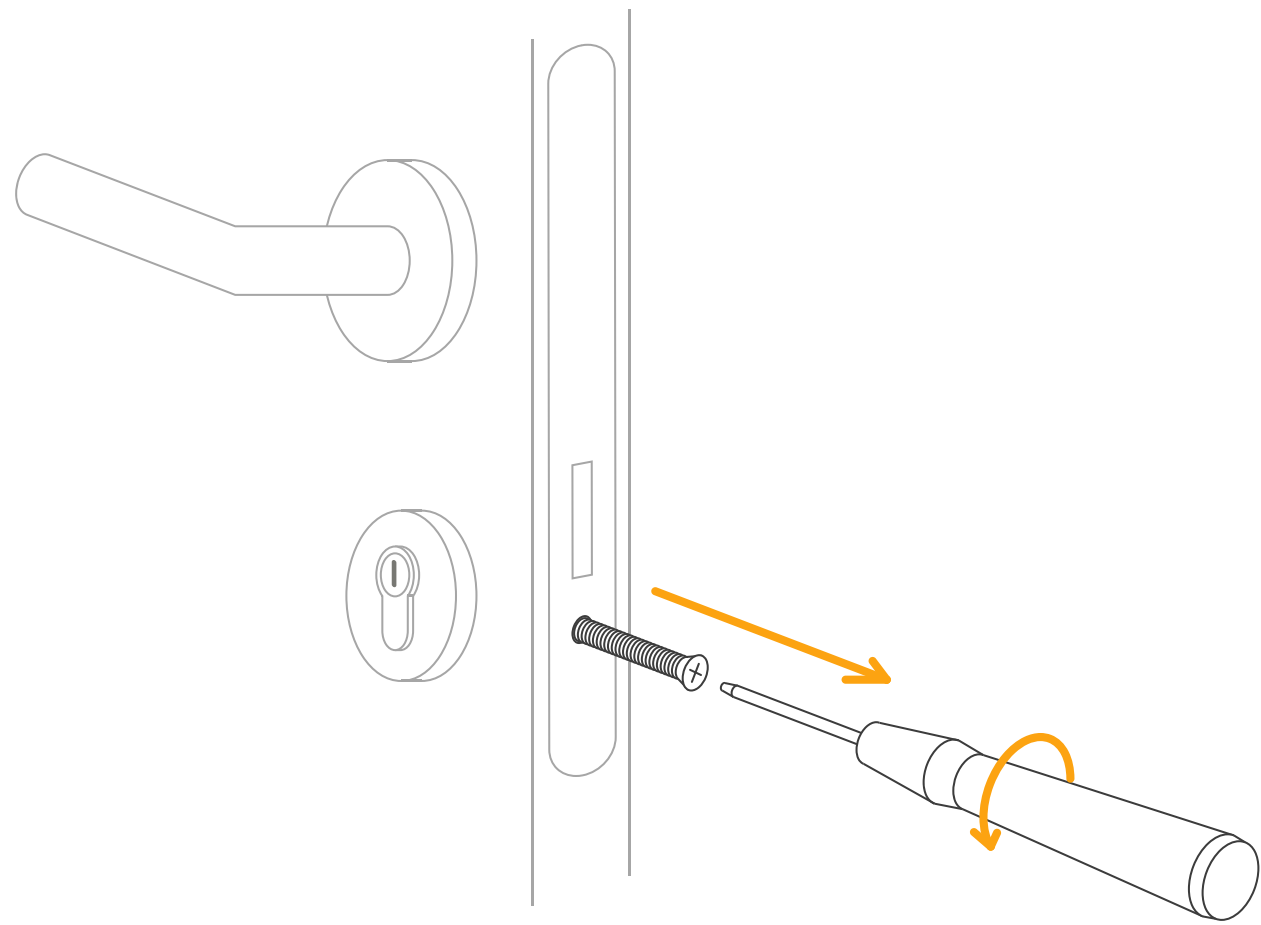


tapkey SMART LOCK

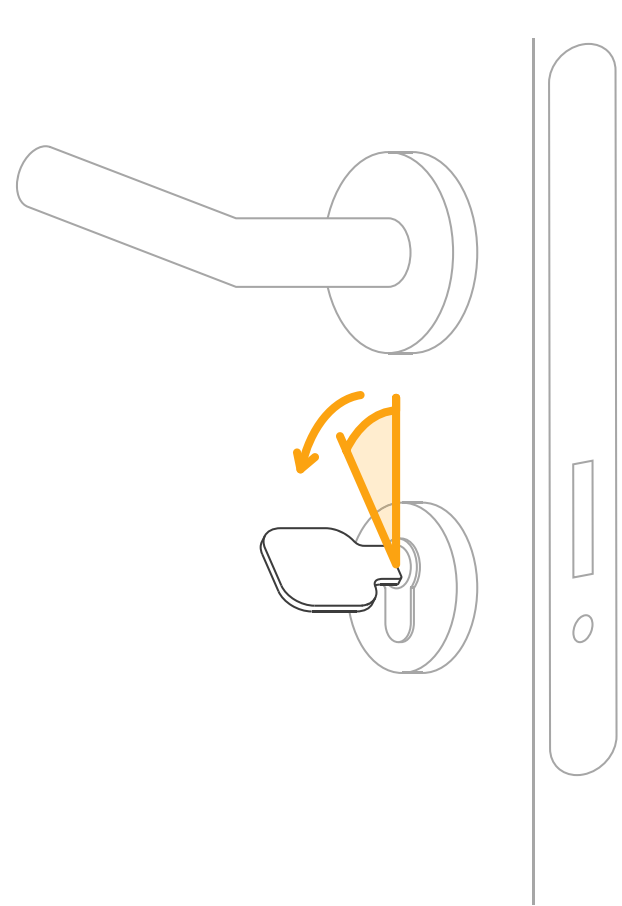
CONFIGURATION GUIDE

- 1 Remove cylinder
- 2 Measure cylinder
- 3 Determine core pulling protection

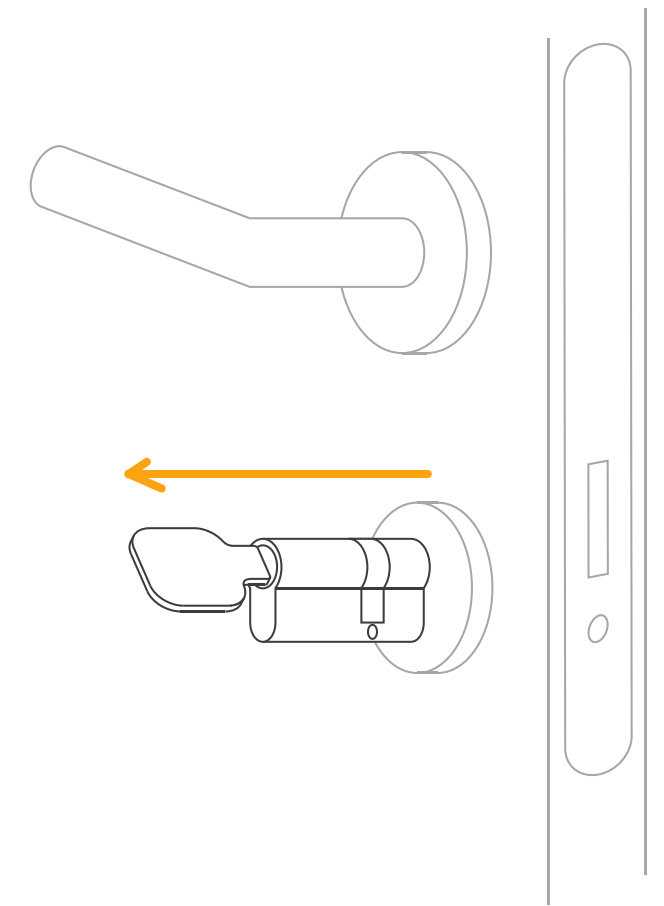
1 REMOVE CYLINDER



1. Remove screw

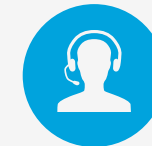
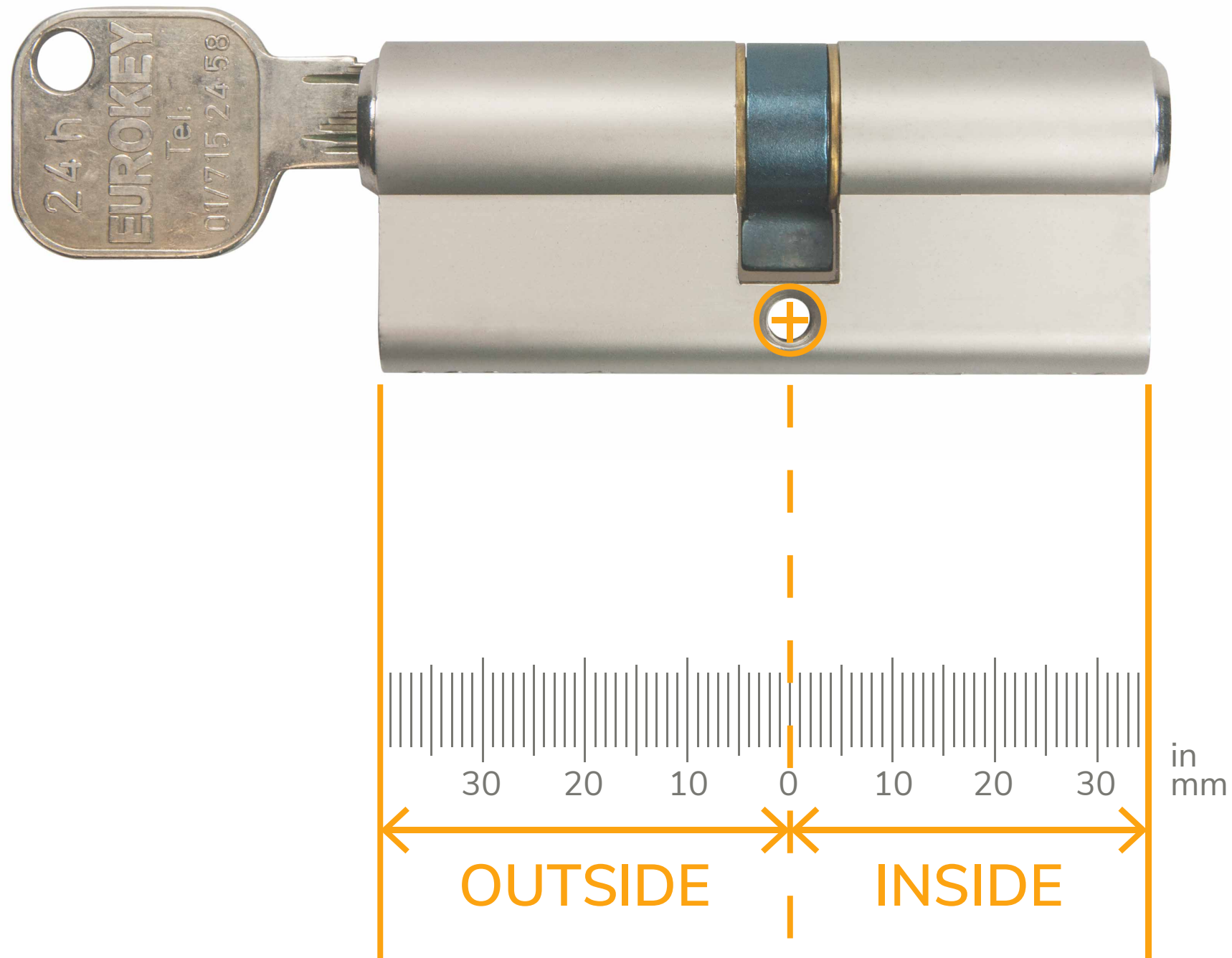


2. Slightly rotate key



3. Pull out cylinder

2 MEASURE CYLINDER



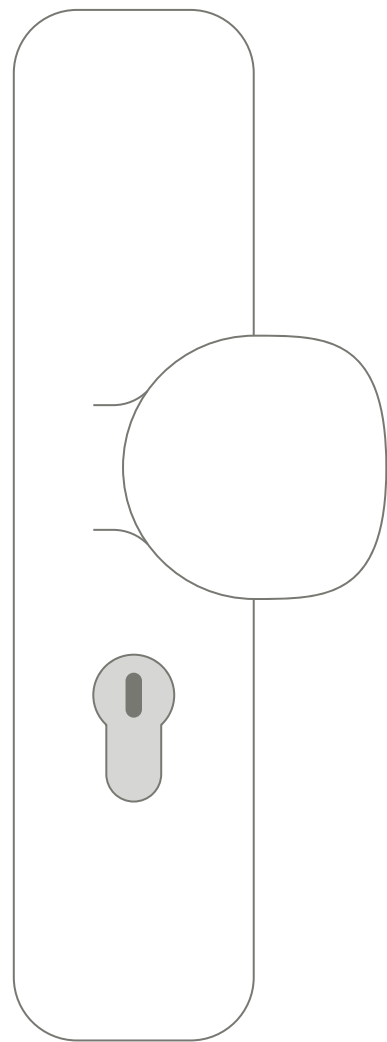
You need assistance?

Just send a photo of your cylinder and door to

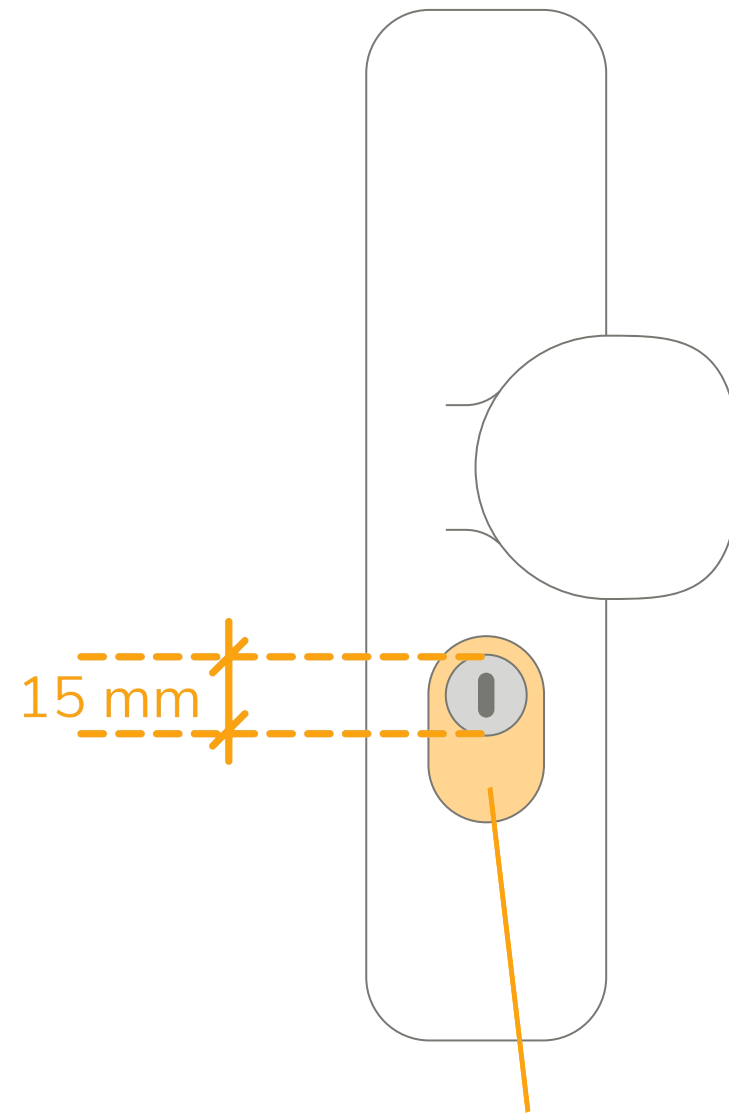
support@tapkey.com

3 DETERMINE CORE PULLING PROTECTION

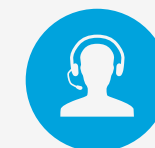
In special cases your smart lock needs core pulling protection:



without core pulling protection



core pulling protection



You need assistance?

You are not sure if you need core pulling protection?

Then contact us under

support@tapkey.com