

Miter Saw Station

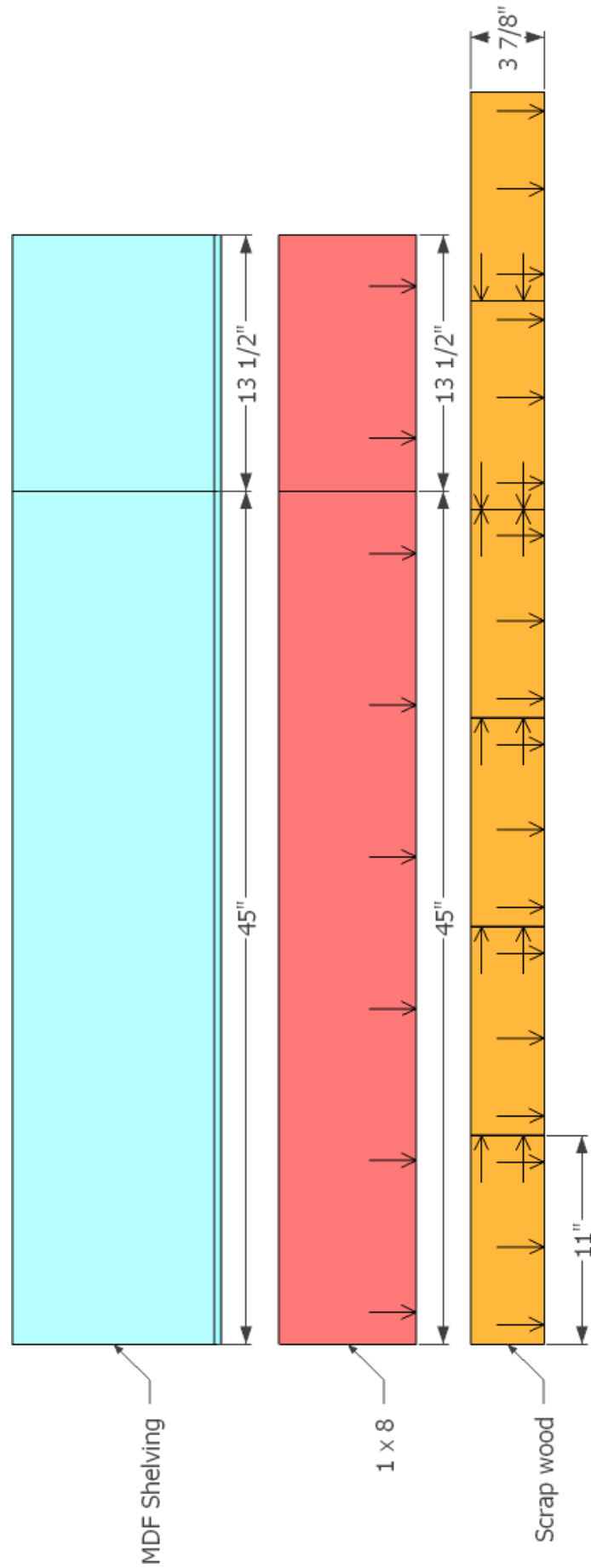
Copyright © 2014 Shanty-2-Chic.com

Supply List

Item	Quantity	Description
MDF shelving	1	For the top
1 x 8 x 6'	1	Pine or whitewood board
Scraps		See layout diagram for scrap wood vertical pieces
1-1/4" pocket hole screws	38	
Brad nails	handful	

Drill pocket holes for 1-1/4" pocket hole screws as indicated by the arrows. This plan includes some dimensions for reference only. Please do not follow these measurements exactly. Adjust all of the pieces to fit your exact miter saw as not all miter saws are built to the same size.

The goal of this plan is to guide you through the process.

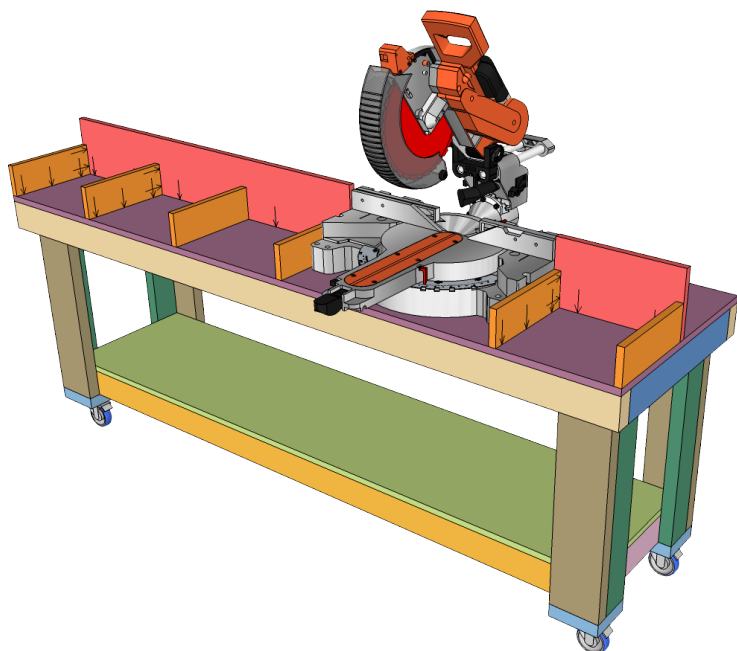
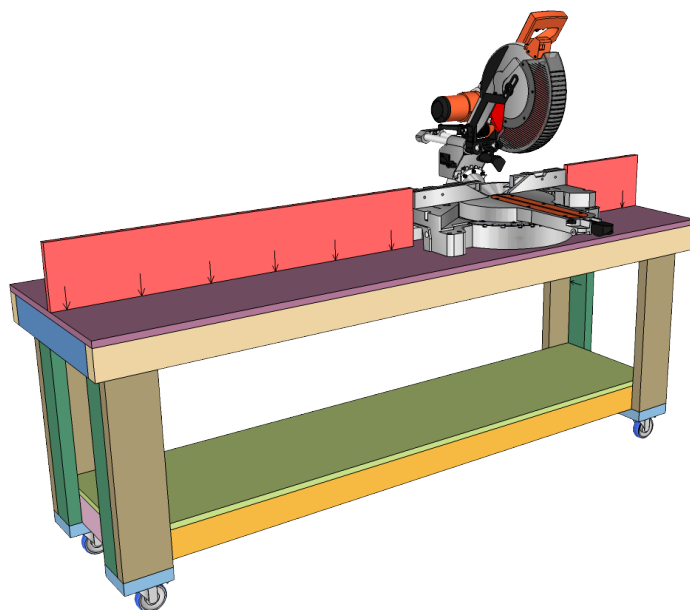


You can build this miter saw station on any work surface you have such as a table or a workbench. I built mine on a 2' x 7' mobile workbench. If you would like to build the same workbench first search our site for "workbench" to download the free plans.

1

Secure your miter saw to the work surface in the location you wish to use it. Having it offset to one side really helps when you are trying to cut longer boards. Determine the length of the two side fence pieces and cut them to length.

Attach them to the table with pocket hole screws. To help align the fence boards you can clamp a long level or straight edge to the miter saw fence and the wood fence boards.

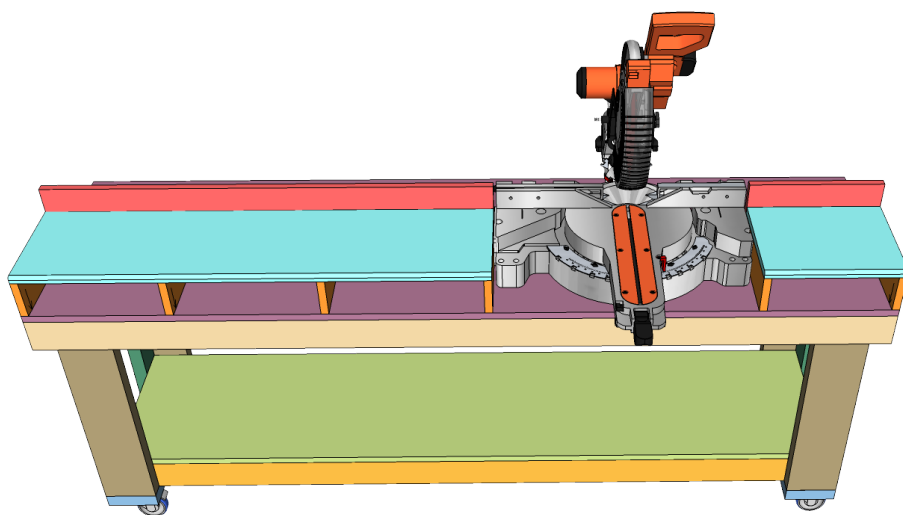


2

Next, determine how tall your vertical support boards need to be. My miter saw surface is 4-5/8" tall and I knew I wanted to use a 3/4" piece for the top platform so I ripped my vertical supports to 3-7/8" tall. Adjust your measurements accordingly. Then attach them to the work surface and the back fence board with pocket hole screws.

3

The last step is the easiest. Simply cut your shelving material to length and attach it to the vertical supports. I just used a brad nailer to attach them.



4

The two main benefits from making a miter saw station like this are the increased work surface allows for longer material to be safely supported to make the cut and the extended fence can be used to clamp stop blocks to it for repeatable cuts at the exact same length. While there are several upgrades you can make to any miter saw station such as a ruler or a dust collection hood the goal of this plan is to hopefully guide you through building a basic but very functional miter saw station. Take the design and make yours as simple or complex as you want. Whatever you do be sure to stop by our website and let us know!

