

Bestway®



EN
DE
NL
FR

58499 Hmax 1.5 m

OWNER'S MANUAL

bestwaycorp.com/support

Visit Bestway YouTube channel 

SAND FILTER OWNER'S MANUAL

Visit Bestway YouTube channel 



SAFETY INSTRUCTIONS

WARNING

IMPORTANT SAFETY INSTRUCTIONS - READ AND FOLLOW ALL SAFETY INSTRUCTIONS - SAVE THESE INSTRUCTIONS

When installing and using this electrical equipment, basic safety precautions should always be followed, including the following:

- The pump is to be supplied by an isolating transformer or supplied through a residual current device (RCD) having a rated residual operating current not exceeding 30 mA.
- The power source on the wall of building should keep more than 4m away from pool.
- The appliance must be supplied by earthed power source.
- **RISK OF ELECTRIC SHOCK** - The pump cannot be using while people are inside the pool. Forbid the access of the pool in case of damage of the sand filter.
- **DO NOT BURY CORD.** Locate cord to minimize abuse from lawn mowers, hedge trimmers, and other equipment.
- To reduce the risk of electric shock, replace damaged cord immediately.
- If the supply cord is damaged, it must be replaced by the manufacturer, its service agent or similarly qualified persons in order to avoid a hazard.
- Extension cords can't be used.
- Risk of electric shock. Using the sand filter with an unmatched electrical supply is dangerous and will permanently damage the sand filter.
- Do not remove the grounding prong or modify the plug in anyway. Do not use adaptor plugs. Consult a qualified electrician for any questions relating to validity of your plugs or grounding.
- Handle the sand filter with care. Do not pull or carry the sand filter by the power cord. Never pull a plug from the outlet by yanking the power cord. Keep cord free from abrasions. Sharp objects, oil,

- moving parts, and heat should never be exposed to the sand filter.
- Always unplug this product from the electrical outlet before removing, cleaning, servicing or making any adjustment to the product.
 - Don't plug or unplug the appliance if hand is wet.
 - Always unplug the appliance:
 - On raining days
 - Before cleaning or other maintenance
 - Leave it unattended on holidays
 - When the appliance will be not used for long time, such as in the winter, the pool set should be disassembled and stored indoor.
 - **CAUTION:** Read the instruction before using the appliance and installation/reassembly every time.
 - Safekeeping the instruction. For reconstruction the pool set every time, please always refer to the instructions.
 - If instruction is missed, please contact with Bestway or search it in website: www.bestwaycorp.com
 - Electric installations should follow national wiring rules. Consult a qualified electrician for any questions.

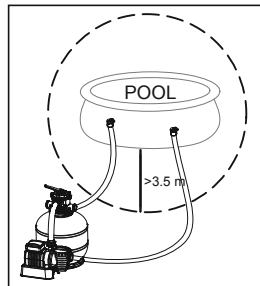
- CAUTION:** This sand filter is for use with storable pools only. Do not use with permanently-installed pools. A storable pool is constructed so that it is capable of being readily disassembled for storage and reassembled to its original integrity. A permanently-installed pool is constructed in or on the ground or in a building such that it cannot be readily disassembled for storage.
- This appliance can be used by children aged from 8 years and above and persons with reduced physical, sensory or mental capabilities or lack of experience and knowledge if they have been given supervision or instruction concerning use of the appliance in a safe way and understand the hazards involved. Children shall not play with the appliance. Cleaning and user maintenance shall not be made by children without supervision.
 - Cleaning and user maintenance must be performed by an adult above 18 years old who is familiar with the risk of electric shock.

NOTES:

- Place the sand filter on solid, level ground. Ensure the sand filter is at least 3.5 meters away from poolside. Keep distance as far as possible.
- Pay attention to position pool and sand filter so adequate

ventilation, drainage, and access for maintenance is available. Never place the filter in an area that may accumulate water, or on a walking path with lots of foot traffic.

- It is necessary to have the plug accessible after installation of the pool. The plug of the sand filter shall be at least 3.5m away from the pool.
- Atmospheric conditions may affect the performance and life span of the sand filter; take adequate precautions to protect the sand filter from unnecessary wear and tear that may occur during periods of cold or hot weather and/or exposure to sun.
- Please examine and verify all sand filter components are present before use. Notify Bestway at the customer service address listed on this manual for any damaged or missing parts at the time of purchase.
- It is imperative to change as soon as possible all deteriorated parts. Only use parts approved by the manufacturer.
- Do not allow children or adults to lean or sit on the apparatus.
- Do not add chemicals to the sand filter.
- When chemical products are used to clean the pool water, it is recommended to respect a minimum filtration time to preserve the health of swimmers which depends on compliance of health regulation.
- Only the media provided or specified by the manufacturer is to be used with product installation.
- It is essential to check that the suction openings are not obstructed.
- It is advisable to stop the filtration during maintenance operations on the filtration system.
- Regularly monitor the filter clogging level.
- A weekly check is recommended for backwashing or cleaning. Minimum daily filtration operating time of 8 hours is recommended to ensure clear pool water.
- It is essential to change any damaged element or set of elements as soon as possible. Use only parts approved by person responsible for placing the product on the market.
- All filters and filter media shall be inspected regularly to ensure that there is not a build-up of detritus thus preventing good filtration. The disposal of any used filter media should also be in accordance with applicable regulations/legislation.



- Mind all the safety requirements and recommendations described in the manual. In case of doubt on the pump or any circulation devices, contact a qualified installer, or the manufacturer/importer/distributor. The water circulation installation shall comply with the European as well as national/local regulations, especially when dealing with electrical issues. Any change of valve position, pump size, grille size can cause a change of the flow and the suction velocity can be increased.
- This product is not intended for commercial use.

Please read the instruction manual carefully and keep it for future reference.

SAVE THESE INSTRUCTIONS

PUMP DISPOSAL



Meaning of crossed-out wheeled dustbin:

Do not dispose of electrical appliances as unsorted municipal waste, use separate collection facilities. Contact your local government for information regarding the collection systems available. If electrical appliances are disposed of in landfills or dumps, hazardous substances can leak into the groundwater and get into the food chain, damage your health and well-being.

When replacing old appliances with new ones, the retailer is legally obligated to take back your old appliance for disposals at least free of charge.

SPECIFICATIONS

	Filter Diameter:	437 mm
	Effective Filter Area:	0.150 m ² (1.61 ft ²)
	Max. Operating Pressure:	1.58 Bar (23 PSI)
	Working sand filter pressure:	<0.56 Bar (8 PSI)
	Max. Water Temperature:	35°C
	Sand:	Not included
	Sand Size:	#20 silica sand, 0.45-0.85 mm
	Sand Capacity:	Approximately 55 kg

PARTS REFERENCE OVERVIEW

Before assembling the sand filter, take a few minutes to become familiar with all the sand filter parts.

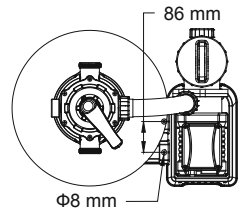
A

B

REF.NO	SPARE PART NO.	A	B
1	P03850	1	1
2	P61138ASS16	1	1
3	P03832	2	2
4	P61209ASS16	1	1
5	P03848	1	1
6	P61206ASS16	1	1
7	P61211ASS16	1	1
8	P6581ASS16	1	1
9	P6580ASS16	1	1
10	P03847	1	1
11	P6614ASS16	1	1
12	P6029ASS16	5	5
13	P03830	1	1
14	P03849	1	1
15	P61214ASS16	1	1
16	P6561ASS16	1	1
17	P6562ASS16	1	1
18	P61210ASS16	8	8
19	P6563ASS16	1	1
20	P00578	1	1
21	P6916ASS16	2	0
22	P6124ASS16	2	0
23	P6028FRASS16	2	2
24	P61322ASS16	1	0
	P61318ASS16	1	0
25	P03829	1	1

Assembly (You will need a screwdriver.)

1. Carefully remove all components from the package and check to ensure nothing is damaged. If equipment is damaged, immediately notify the retailer from where the equipment was purchased.
2. The sand filter should be placed on solid, level ground, preferably a concrete slab. Position the sand filter so the Ports and Control Valve are accessible for operation, servicing and winterizing.



3.EN60335-2-41 TEST standard requires the sand filter must be vertically fixed on ground or a certain pedestal made of wood or concrete before use to prevent the sand filter from accidental falling. Fully assembled sand filter will exceed 18 kg. The mounting holes should be 8 mm in diameter and spaced 86 mm apart. Use two bolts and nuts with a maximum of 8 mm in diameter to fasten the sand filter to the pedestal.

Load pool-grade filter sand/Flowclear™ Polysphere.

NOTE: Use only special pool-grade filter sand, free of all limestone or clay: #20 Silica sand 0.45-0.85 mm, approximately one 45 kg bag should suffice. If you do not use the recommended size of filter sand, filtering performance will be reduced and the sand filter may be damaged, thereby voiding the warranty.

IMPORTANT: We suggest using #20 silica sand with your pool sand filter. It is specially graded to trap particles in the 20 - 100 micron range.

Some small debris can pass through the sand and back into the pool. This is normal, especially if the debris is fine or silt. To limit this, it is better to follow the maintenance instructions, and backwash and rinse when necessary.

We also suggest contacting your pool dealer for the chemical product specifically made to clean the sand. The correct maintenance of the sand will optimize the cleaning efficiency and avoid accumulation of oils or scale.

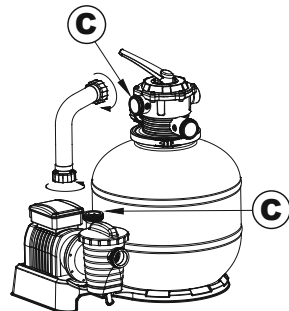
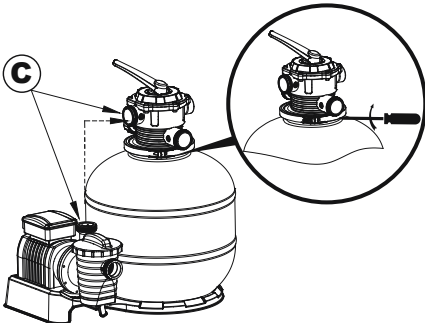
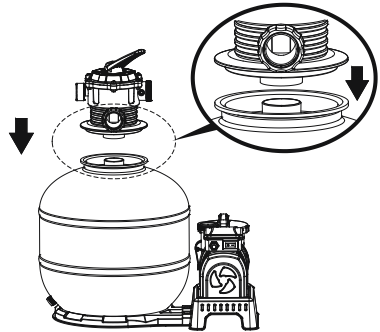
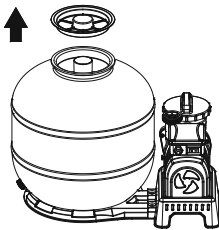
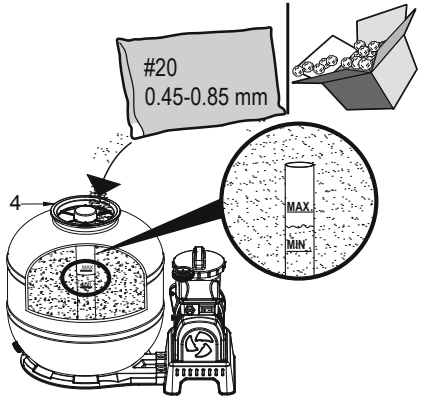
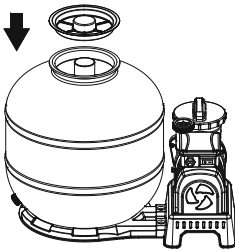
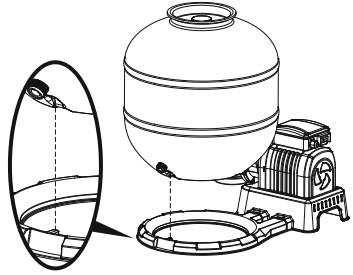
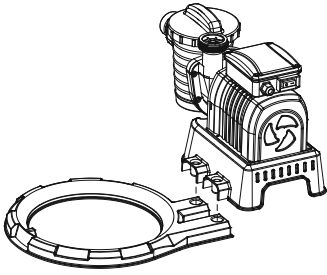
When you are vacuuming the bottom of the pool that has a large amount of debris, we suggest to backwash the sand when you finish cleaning half of the pool.

Remember to backwash and rinse the sand after vacuuming the bottom of the pool each time.

NOTE: To avoid damaging the Skimmer when adding sand, pour some water into the Bottom Tank to submerge the Skimmer on the Hub.

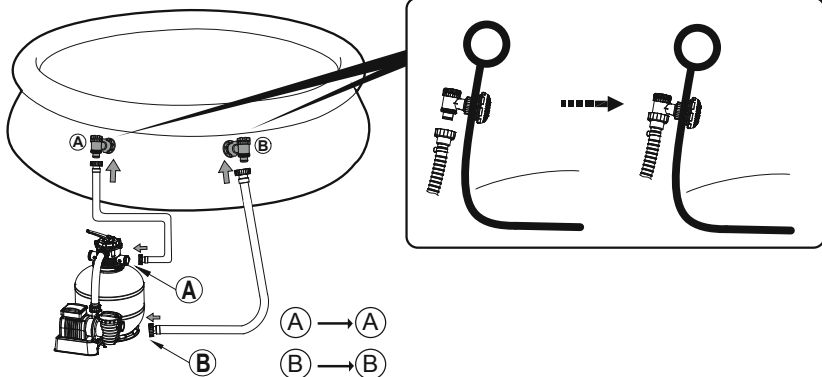
NOTE: Sand/Flowclear™ Polysphere not included.

NOTE: Use 28 g (0.06 lbs) Flowclear™ Polysphere to replace 1 kg (2.20 lbs) sand.

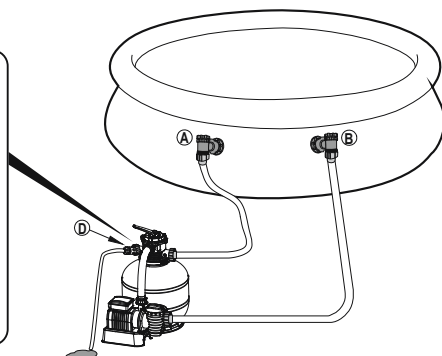
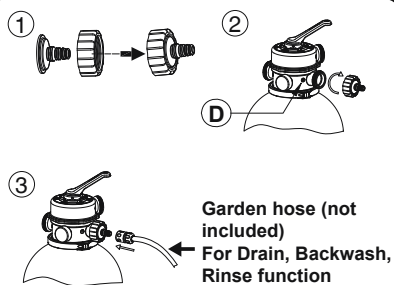


Connect to the pool

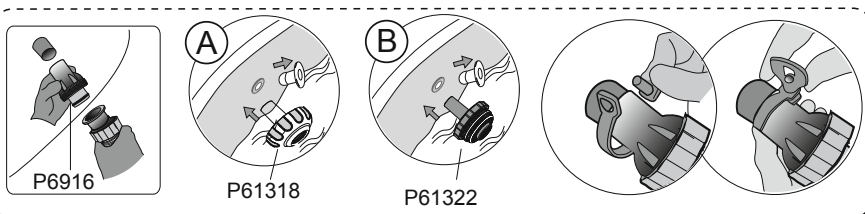
1



2



For pool with 32 mm valves



STOP

Before switching on, please read the manual carefully.

RCD Test

A. Insert the plug into the power outlet.

B. Press the “RESET” button; the indicator light turns red.

NOTE: If the indicator light is not on, the test has failed.

C. Press the “T” button; the indicator light turns off.

NOTE: If the indicator light is not off, the test has failed.

D. Press the “RESET” button, the indicator light turns red, and the sand filter is ready for use.

WARNING: RISK OF ELECTRIC SHOCK. The RCD plug must be tested before each use.

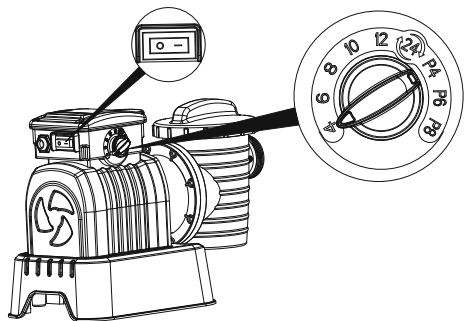
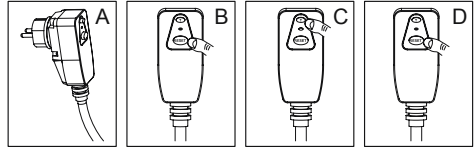
WARNING: Do not use the sand filter if this test fails. Please contact your local Bestway Aftersales Service.

WARNING: Insert the RCD plug into a residual current device (RCD) having a rated residual operating not exceeding 30 mA.

OPERATION

Timer

1. Plug into power source, adjust power switch to “ON” (-) position. The sand filter will begin working immediately.
2. Adjust power switch to “OFF” (0) position. The sand filter will stop working immediately.
3. After turning on, you can adjust work time, rest time and cycle time by turning the knob to desired position. See the table below for more details.



4. When the timer knob is moved into new position, the filter's previous cycle automatically cancels so new cycle can begin.

5. Each time the filter is powered on or restarted, a new cycle will begin based on timer knob position.

NOTE: If the knob is adjusted to the 24-hour position (24), the sand filter will work continuously without any rest period.

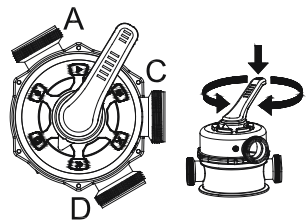
Knob Position	Working time(H)	Rest time(H)	Cycle period(H)
4	4	20	24
6	6	18	24
8	8	16	24
10	10	14	24
12	12	12	24
24	24	0	24
P4	4	4	8
P6	6	6	12
P8	8	8	16

CONTROL VALVE OVERVIEW

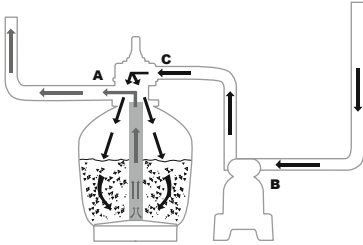
WARNING: To prevent equipment damage and possible injury, always switch off sand filter before changing the Control Valve function. Changing valve positions while the pump is running can damage the Control Valve, which may cause personal injury or property damage.

How to Use the Control Valve:

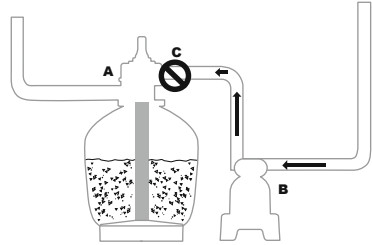
Press down on the Control Valve handle and rotate to desired function.



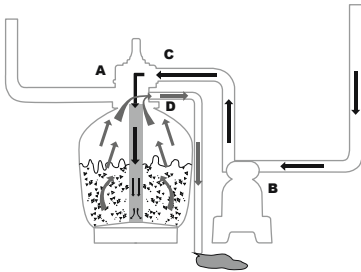
▶ Filter: This function is used to filter pool water and should be positioned here 99% of the time. Water is pumped through the sand filter, where it is cleaned and returned to the pool.



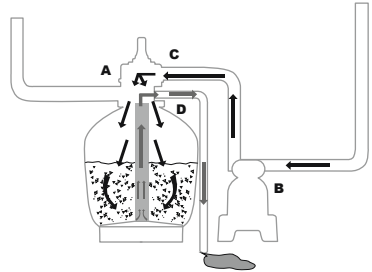
✕ Closed: This function stops water flowing between the sand filter and the pool.



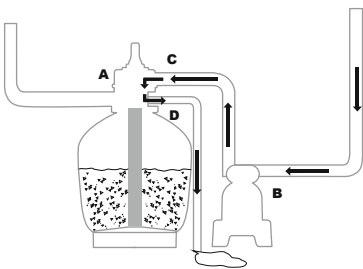
◀◀ Backwash: This function is used to clean the sand bed; water is pumped down through the Collector Hub, upwards through the sand bed, and deposited out of Port D.



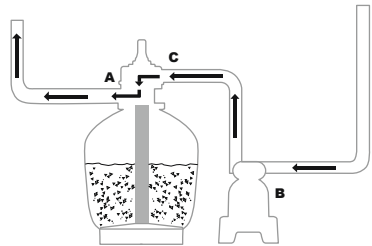
💧 Rinse: This function for initial startup, cleaning, and sand bed leveling after Backwash; water is pumped downwards through the sand bed, up through the Collector Hub and deposited out of the valve Port D.



☑ Drain: This function drains water from the pool; another filter bypass setting, water is pumped and deposited out of Port D, instead of returning it to the pool.



↻ Circulate: This function circulates pool water bypassing the sand filter; use this function if the filter is broken to collect debris in the Debris Screens.



NOTE:

- Be sure all provisions for wastewater disposal meet applicable local, state or national codes. Do not discharge water where it will cause flooding or damage.

- When the Control Valve is set to the Backwash, Rinse, or Drain position, water will discharge from Port D on the Control Valve.
- Do not switch on or operate the sand filter with the Control Valve set to the Closed function or it will seriously damage the sand filter.
- Do not set the Control Valve between two functions, or it will lead to leaking.
- To avoid water leakage, screw the Port D Cap onto the Control Valve Port D before operating the filter or circulate function.

Air Release

Press down the control valve handle and wait until the water flow from Port D to release the air.

NOTE: It is important to repeat this operation every time you start the pump after winterizing, maintenance and backwashing the sand bed.

FIRST TIME USE INSTRUCTIONS

Backwash and Rinsing must be performed to prepare the pump for its first use and to wash the sand.



CAUTION: DO NOT DRY RUN THE SAND FILTER

1. Press down on the Control Valve handle and rotate to the Backwash function.
2. Plug in and run the sand filter for 3-5 minutes, or until the water runs clear.
3. Switch off the sand filter and set the Control Valve to the Rinse function.
4. Switch on the sand filter and run the sand filter for 1 min. This circulates water backwards through the sand filter and drains water out Port D.
5. Switch off the sand filter. Set the Control Valve to the Closed function.
6. Top up pool water if required.

IMPORTANT: This procedure removes water from the pool, which you'll need to replace.

Switch off the sand filter immediately if water levels near the pool's Inlet and Outlet valves.

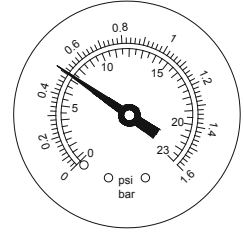
1. Now the sand filter is ready for use. Set the Control Valve to the Filter function.

NOTE: To prevent the risk of electrical shock dry any excess water from yourself and the sand filter.

IMPORTANT: Before operation, make sure the tank is placed steadily on its base and connected correctly to the pump.

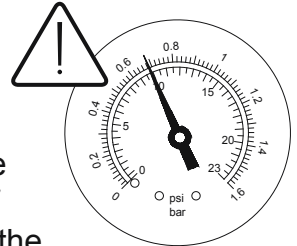
2. Switch on the sand filter to run it.

NOTE: The sand filter has now started its filtering cycle. Check that water is returning to the pool and take note of the filter pressure on Pressure Gauge. Generally, the recommended sand filter pressure is less than 0.56 Bar (8.0 PSI) when it is running.



Sand Filter Maintenance

CAUTION: You must ensure the sand filter is switched off and unplugged before any maintenance begins or severe risk of injury or death exists. As dirt builds up in the sand filter, the pressure reading on Pressure Gauge will increase. When the Pressure Gauge is 0.56 Bar (8.0 PSI) or higher, or water flow to the pool is too low, it is time to clean the sand. To clean the sand bed, follow all instructions outlined previously in: **Backwash and Rinsing.**



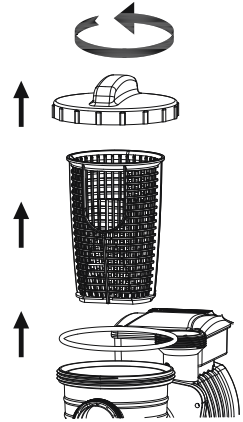
NOTE:

1. The Pressure Gauge is just used for measuring the water pressure, not used for precision measurement.
2. We recommend you clean the sand bed once a month or less regularly depending on how often the pool is used. Do not clean the sand too frequently.

Cleaning the Strainer

1. Switch off the sand filter and set the Control Valve to the Closed function.
2. Close the connection valves.
3. Remove the Strainer Cover by unscrewing it.
4. Take out the Strainer, remove any debris.
5. Put the Strainer back into position. Ensure the hole in the strainer is aligned.
6. Ensure the Seal Ring is in place. Secure the Strainer Cover back.
7. Open the connection valves.

NOTE: The Strainer must be emptied and cleaned periodically. A dirty or blocked strainer will reduce the performance of the sand filter.



Lowering or Draining Pool Water

1. Switch off the sand filter and set Control Valve to the Drain function.
2. Detach the Hose from the pool's Port A and sand filter Port A and attach to Port D.
3. Switch on the sand filter and press the "RESET" button to run the filter and remove the pool water.

WARNING: DO NOT DRY RUN THE SAND FILTER.

Winterization and long-term storage

In areas that have freezing winter temperatures, pool equipment must be winterized to protect against damage. Allowing water to freeze will damage the sand filter and void warranty.

1. Backwash the sand filter.
2. Drain the pool according to the pool owner's manual.
3. Unscrew the drain valve cap at the bottom of the tank and release the remaining water.
4. Disconnect the two Hoses from the pool and the sand filter.

5. Completely spill the sand out of the tank and dry all components.
6. Move away sand filter from pool area, store the sand filter in a dry indoor location out of child's reach.

TROUBLESHOOTING		
Problems	Probable Causes	Solutions
Sand is flowing to the pool	<ul style="list-style-type: none"> - Sand is too small - Move the control valve from the backwash to the filter function without stop the sand filter - The level of the sand is too high - The skimmer is broken 	<ul style="list-style-type: none"> - Recommend 0.45 mm to 0.85 mm #20 silica sand - Stop the sand filter every time set the control valve - Check if the level of the sand is between the marked "MAX" and "MIN" on the collector hub - Replace the skimmer
No water flow	<ul style="list-style-type: none"> - Stopper plugs were not removed - Air was not released - The control valve is set to Closed - The strainer is blocked - Sand filter broken 	<ul style="list-style-type: none"> - Remove the stopper plugs and insert the debris screens - Release the air - Set to filter function - Clean the strainer - Call for service
Excessive filter pressure	<ul style="list-style-type: none"> - Dirty filter - Calcified sand bed - Insufficient backwashing - The pressure gauge is broken 	<ul style="list-style-type: none"> - Backwash - Inspect sand and change if necessary - Backwash until water runs clear - Replace the pressure gauge
Control Valve leaks from the port D	<ul style="list-style-type: none"> - Control Valve is set between two functions - The gasket is broken 	<ul style="list-style-type: none"> - Set to one function - Replace the gasket
Connectors leak	<ul style="list-style-type: none"> - Washer of the connectors not in place - Washer of the connectors broken - Loose Hoses 	<ul style="list-style-type: none"> - Reposition the washer - Replace the washer - Tighten them

SANDFILTERANLAGE GEBRAUCHSANLEITUNG

Besuchen Sie den YouTube-Kanal von Bestway 



SICHERHEITSANWEISUNGEN

ACHTUNG

WICHTIGE SICHERHEITSANWEISUNGEN BITTE LESEN UND BEACHTEN SIE ALLE SICHERHEITSBESTIMMUNGEN.

Bei der Installation und der Benutzung von elektrischen Geräten müssen die grundlegenden Sicherheitsbestimmungen einschließlich der folgenden immer beachtet werden:

- Die Pumpe muss über einen Trenntransformator oder über eine Fehlerstrom-Schutzeinrichtung (RCD) mit einem Ansprechdifferenzstrom von nicht mehr als 30mA versorgt werden.
- Die Stromquelle muss mindestens 4 m vom Pool entfernt sein.
- Das Gerät muss von einer geerdete Stromquelle mit Spannung versorgt werden
- **ELEKTROSCHOCKGEFAHR** - Die Pumpe darf nicht betrieben werden, wenn sich Personen im Pool aufhalten. Bei defektem Sandfilter darf der Pool nicht genutzt werden.
- **VERGRABEN SIE KEINE KABEL.** Verlegen Sie die Kabel so, dass die Gefahr einer Beschädigung durch Rasenmäher, Heckenscheren usw. vermieden wird.
- Ersetzen Sie beschädigte Kabel sofort, um jede Gefahr von elektrischen Schlägen zu vermeiden.
- Falls das Netzkabel beschädigt ist, muss es durch den Hersteller, den Kundendienst oder in entsprechender Weise qualifizierte Person ausgewechselt werden, um die Gefahr von Stromschlägen zu vermeiden.
- Es können keine Verlängerungskabel verwendet werden.
- Elektroschlaggefahr. Der Einsatz des Sandfilters mit einer ungeeigneten Stromversorgung ist gefährlich und kann zu schweren Funktionsstörungen des Sandfilters führen.
- Entfernen Sie den Erdungsleiter nicht und nehmen Sie keine Änderungen am Stecker vor. Verwenden Sie keine Adapterstecker. Lassen Sie die Erdung Ihrer Steckdosen von einem qualifizierten Elektriker überprüfen.
- Behandeln Sie den Sandfilter vorsichtig. Ziehen oder tragen Sie den Sandfilter nicht

am Netzkabel. Ziehen Sie den Stecker nie mit dem Netzkabel aus der Steckdose. Schützen Sie das Kabel vor Beschädigungen. Der Sandfilter muss vor scharfkantigen Gegenständen, Öl, beweglichen Teilen und Hitze geschützt werden.

- Trennen Sie dieses Produkt immer von der Stromversorgung, bevor Sie es ausbauen, reinigen, warten oder Einstellungen daran vornehmen.
- Stecken Sie das Gerät nicht mit nassen Händen ein oder aus.
- Stecken Sie das Gerät immer aus:
 - An Regentagen
 - Bevor Reinigungs- oder Wartungsarbeiten durchgeführt werden.
 - wenn Sie das Produkt für einen längeren Zeitraum unbeaufsichtigt lassen (z. B. während des Urlaubs)
- Wird das Gerät für einen längeren Zeitraum nicht benutzt (z. B. im Winter), muss das Poolset demontiert und in Innenräumen gelagert werden.
- **Vorsicht:** Bitte lesen Sie diese Anweisungen jedes Mal sorgfältig durch, bevor Sie das Gerät benutzen und installieren/montieren.
- Bewahren Sie diese Anweisungen sorgfältig auf. Beachten Sie bei jedem erneuten Aufbau des Pools diese Anweisungen.
- Sollten diese Anweisungen verloren gehen, kontaktieren Sie Bestway oder suchen Sie das Dokument auf unserer Website: www.bestwaycorp.com
- Elektrische Installationen sollten die nationalen Anschlussvorschriften beachten. Lassen Sie sich von einem qualifizierten Elektriker in allen Fragen beraten.

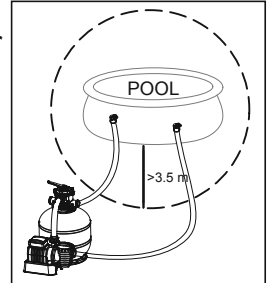
ACHTUNG: Dieser Sandfilter wurde ausschließlich für die Benutzung in lagerbaren Pools konzipiert. Nicht in fest installierten Pools benutzen. Ein lagerbarer Pool ist so konstruiert, dass es zur Lagerung abgebaut und anschließend wieder aufgebaut werden kann. Ein fest installierter Pool ist so konstruiert, dass es nicht für die Lagerung abgebaut werden kann.

- Dieses Gerät kann von Kindern ab 8 Jahren oder älter sowie von Personen mit physischen, sensorischen oder mentalen Einschränkungen oder mangelnder Erfahrung und mangelnden Kenntnissen benutzt werden, sofern sie entsprechend beaufsichtigt oder mit der Bedienung des Gerätes und den damit verbundenen Gefahren vertraut gemacht wurden. Kinder dürfen nicht mit dem Gerät spielen. Die Reinigung und Wartung durch den Benutzer darf von Kindern nicht ohne Beaufsichtigung durchgeführt werden.
- Reinigung und Wartung durch den Benutzer müssen von einem mindestens 18 Jahre alten Erwachsenen durchgeführt werden, der mit den Gefahren eines elektrischen Schlages vertraut ist.

HINWEIS:

- Setzen Sie den Sandfilter auf eine feste und ebene Unterlage. Bitte stellen Sie sicher, dass sich der Sandfilter zumindest 3.5m vom Rand des Pools entfernt befindet. Halten Sie so viel Abstand wie möglich.

- Achten Sie darauf, dass die Position des Pools und des Sandfilters eine angemessene Lüftung, die Dränage und den Zugang für die Wartung gewährleistet. Positionieren Sie den Sandfilter nie an einer Stelle, an der sich Wasser ansammeln kann oder wo er den Verkehr stört.



- Die Steckdose muss nach der Installation des Pools zugänglich sein. Die Steckdose des Sandfilters sollte zumindest 3,5m vom Pool entfernt sein.
- Die Witterungsbedingungen können sich auf die Leistung und die Lebensdauer des Sandfilters auswirken; schützen Sie den Sandfilter in geeigneter Weise vor unnötigem Verschleiß bei kalter oder heißer Witterung und/oder Sonneneinstrahlung.
- Bitte prüfen Sie alle Komponenten des Sandfilters vor der Benutzung. Bitte wenden Sie sich an den Bestway-Kundendienst unter der im Handbuch angegebene Adresse, falls beim Kauf Teile fehlen oder beschädigt sind.
- Defekte Teile müssen unverzüglich ausgetauscht werden. Verwenden Sie ausschließlich vom Hersteller empfohlene und zugelassene Teile.
- Stellen Sie sicher, dass sich niemand gegen das Gerät lehnt oder darauf setzt.
- Füllen Sie keine Chemikalien in den Sandfilter ein.
- Wenn Chemikalien zum Reinigen des Poolwassers eingesetzt werden, empfehlen wir aus gesundheitlichen Gründen und zur Einhaltung von Vorschriften die Einhaltung einer minimalen Filtrierungszeit.
- Bei der Produktinstallation sind nur die vom Hersteller gelieferten oder angegebenen Medien zu verwenden.
- Es ist unbedingt notwendig zu prüfen, dass die Ansaugöffnungen nicht blockiert sind.
- Es ist empfehlenswert, die Filtration während der Wartungsarbeiten auf dem Filtersystem zu stoppen.
- Regelmäßig das Verstopfen des Filters überwachen.
- Es wird eine wöchentliche Kontrolle für Rückspülen oder Reinigung empfohlen. Die tägliche Mindestfilterbetriebsdauer von acht Stunden wird empfohlen, um sauberes Poolwasser zu garantieren.
- Es ist unbedingt notwendig, jegliche beschädigten Elemente oder Elementgruppen so schnell wie möglich zu ersetzen. Verwenden Sie nur von der Person, die das Produkt auf den Markt gebracht hat, empfohlen Teile.
- Alle Filter und Filtermedien müssen regelmäßig untersucht werden, um sicherzustellen, dass keine Schmutzansammlungen vorliegen, die eine korrekte Filtration verhindern. Die Entsorgung jeglicher gebrauchten Filtermedien muss in Einklang mit den geltenden Vorschriften/Gesetzen erfolgen.

- Beachten Sie alle im Handbuch beschriebenen Sicherheitsvorschriften und Empfehlungen. Im Fall von Zweifeln hinsichtlich der Pumpe oder Umwälzvorrichtungen wenden Sie sich bitten an einen Installationsfachmann oder an den Hersteller/Importeur/Händler. Die Installation der Wasserzirkulation muss im Einklang mit den europäischen sowie den nationalen/lokalen Bestimmungen erfolgen, insbesondere wenn es sich um elektrische Fragen handelt. Jegliche Änderungen der Ventilposition, Pumpen-oder Gittergröße kann zu einer Änderung des Durchflusses und einer Erhöhung der Ansauggeschwindigkeit führen.
- Dieses Produkt darf nicht für kommerzielle Zwecke benutzt werden.

**Bitte lesen Sie das Handbuch sorgfältig durch und bewahren Sie es als künftige Referenz auf.
BEWAHREN SIE DIESE ANWEISUNGEN AUF**

UMWELTSCHUTZ



Die Bedeutung der durchstrichenen Mülltonne:

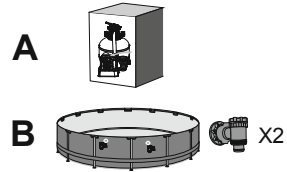
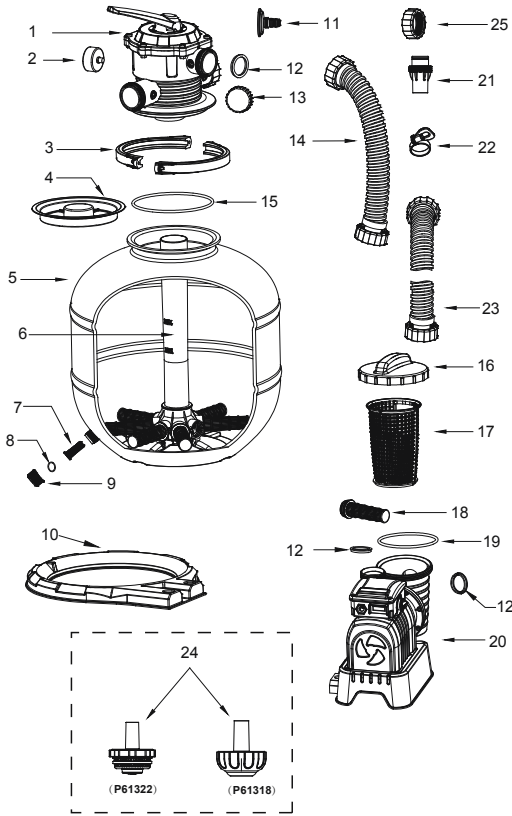
Entsorgen Sie elektrische Geräte nicht im Hausmüll, nutzen Sie die Sammelstellen in ihrer Gemeinde. Fragen Sie Ihre Gemeindeverwaltung nach den Standorten der Sammelstellen. Wenn elektrische Geräte unkontrolliert entsorgt werden, können während der Verwitterung gefährliche Stoffe ins Grundwasser und damit in die Nahrungskette gelangen, oder Flora und Fauna auf Jahre vergiftet werden. Wenn Sie das Gerät durch ein neues ersetzen, ist der Verkäufer gesetzlich verpflichtet, das alte mindestens kostenlos zur Entsorgung entgegenzunehmen.

SPEZIFIKATIONEN

	Filterdurchmesser:	437 mm
	Effektive Filterfläche:	0.150 m ² (1.61 ft ²)
	Max. Betriebsdruck:	1.58 Bar (23 PSI)
	Arbeitsdruck des Sandfilters:	<0.56 Bar (8 PSI)
	Max. Wassertemperatur:	35°C
	Sand:	Not included
	Sandgröße:	#20 silica sand, 0.45-0.85 mm
	Fassungsvermögen Sand:	Approximately 45 kg

ÜBERSICHT BAUTEILE

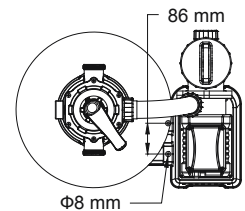
Bitte überprüfen Sie vor der Montage des Sandfilters alle Bauteile und machen Sie sich mit ihnen vertraut.



REF.-NR.	ERSATZTEIL NR.	A	B
1	P03850	1	1
2	P61138ASS16	1	1
3	P03832	2	2
4	P61209ASS16	1	1
5	P03848	1	1
6	P61206ASS16	1	1
7	P61211ASS16	1	1
8	P6581ASS16	1	1
9	P6580ASS16	1	1
10	P03847	1	1
11	P6614ASS16	1	1
12	P6029ASS16	5	5
13	P03830	1	1
14	P03849	1	1
15	P61214ASS16	1	1
16	P6561ASS16	1	1
17	P6562ASS16	1	1
18	P61210ASS16	8	8
19	P6563ASS16	1	1
20	P00578	1	1
21	P6916ASS16	2	0
22	P6124ASS16	2	0
23	P6028FRASS16	2	2
24	P61322ASS16	1	0
	P61318ASS16	1	0
25	P03829	1	1

Montage (Sie benötigen einen Schraubendreher.)

- Entnehmen Sie vorsichtig alle Komponenten aus der Verpackung und stellen Sie sicher, dass nichts beschädigt ist. Wenden Sie sich umgehend an den Händler, bei dem Sie die Ausrüstung gekauft haben, falls Komponenten beschädigt sind.
- Setzen Sie den Sandfilter auf eine feste und ebene Unterlage, vorzugsweise auf eine Betonplatte. Stellen Sie den Sandfilter so auf, dass



die Anschlüsse und das Steuerventil für den Betrieb, die Wartung und die Vorbereitung für den Winter zugänglich sind.

3. Der TEST-Standard EN60335-2-41 schreibt vor, dass der Sandfilter senkrecht auf dem Boden befestigt wird oder ein Gestell aus Holz bzw. Beton vor dem Gebrauch errichtet wird, um ein unbeabsichtigtes Umfallen des Sandfilters zu verhindern. Das Gewicht des vollständig montierten Sandfilters überschreitet 18kg. Die Montagebohrungen müssen einen Durchmesser von 8 mm sowie einen Abstand von 86mm zueinander aufweisen. Verwenden Sie zwei Schrauben und Muttern mit einem Durchmesser von maximal 8mm, um den Sandfilter am Gestell zu befestigen.

Verwenden Sie nur Filtersand/Flowclear™ Polysphere für die Sandfilteranlage.

HINWEIS: Verwenden Sie ausschließlich kalk- und lehmfreien Spezialfiltersand für Pools: #20 Quarzsand, 0,45-0,85mm, ca. ein Sack zu 45kg sollte ausreichen. Wenn Sie keinen Filtersand in der empfohlenen Größe verwenden, reduziert sich die Filterleistung und der Sandfilter kann beschädigt werden, wobei es zu einem Garantieverlust kommt.

WICHTIG: Wir empfehlen die Verwendung von #20 Quarzsand bei dieser Sandfilteranlage. Dieser ist speziell für das Auffangen von Partikeln im Bereich von 20 - 100 Mikron ausgelegt.

Kleine Rückstände können durch den Sand zurück in den Pool gelangen. Dies ist normal, besonders wenn der Schmutz fein oder verschlammt ist.

Um dies zu verhindern, empfiehlt es sich, die Anweisungen im Handbuch zu befolgen und ggf. eine Rückspülung durchzuführen.

Bei Fragen zur chemischen Reinigung kontaktieren Sie am besten einen Chemikalienhersteller oder den Verkäufer Ihres Pools. Die

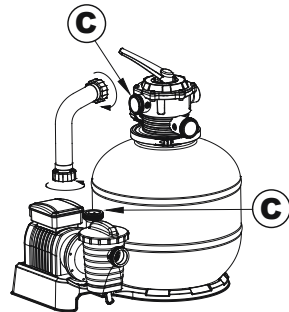
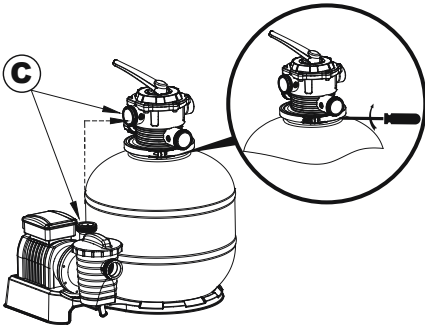
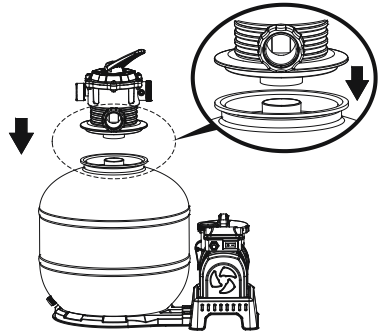
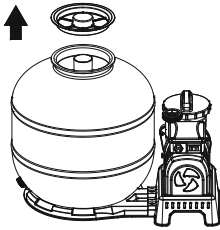
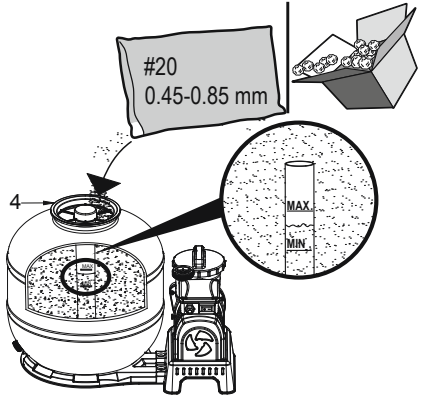
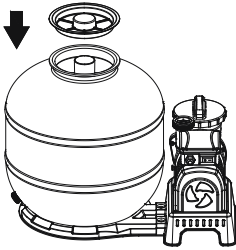
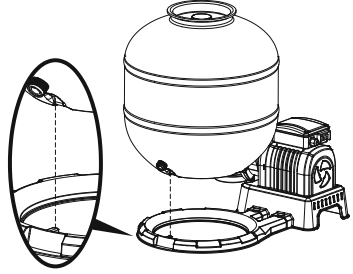
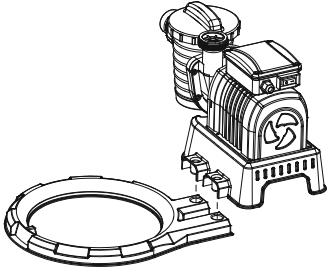
richtige Wartung des Sandes verbessert die Reinigungsleistung und verhindert die Festsetzung von Ölen oder Kalkablagerungen.

Wenn Sie größere Schmutzmengen vom Poolboden absaugen, empfiehlt es sich, nach der Hälfte eine Rückspülung des Filtersandes durchzuführen. Grundsätzlich sollte nach jeder Reinigung des Poolbodens eine Rückspülung durchgeführt werden.

HINWEIS: Füllen Sie dann etwas Wasser in den unteren Tank, um den Reiniger in die Kollektornabe einzutauchen.

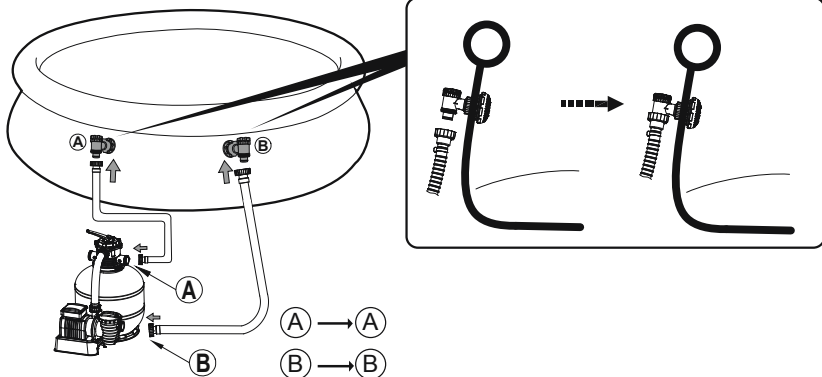
HINWEIS: Filtersand/Flowclear™ Polysphere ist nicht enthalten.

HINWEIS: Verwenden Sie 28 g (0.06 lbs) Flowclear™ Polysphere™ als Ersatz für 1 kg (2,20 lbs) Filtersand.

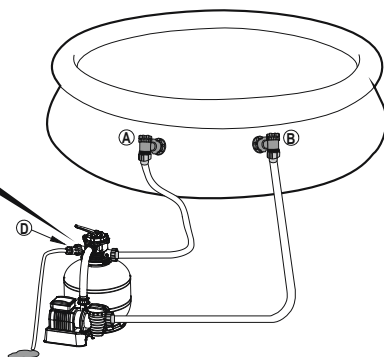
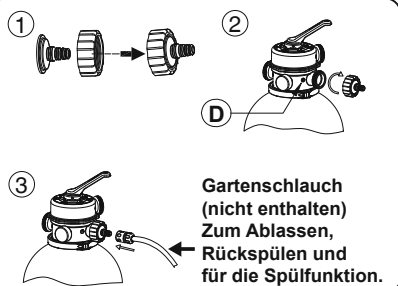


Anschluss an den Pool

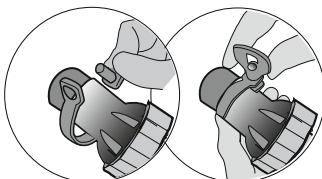
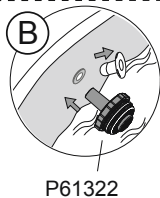
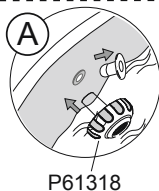
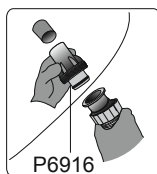
1



2



Für Poolventile mit einem Durchmesser von 32 mm (1,25 Zoll)



STOPP

Lesen Sie vor dem Einschalten das Handbuch aufmerksam durch.

RCD Test

A. Stecken Sie den Stecker in die Steckdose ein.

B. Drücken Sie die Taste

“RESET”. Die Kontrollleuchte wird rot.

HINWEIS: Wenn die Anzeige nicht leuchtet, ist der Test fehlgeschlagen.

C. Betätigen Sie den Schalter “T”, die Kontrollleuchte geht aus.

HINWEIS: Wenn sich die Leuchtanzeige nicht ausschaltet, ist der Test fehlgeschlagen.

D. Betätigen Sie den Schalter “RESET”, die Kontrollleuchte leuchtet rot.

E. Stecken Sie die Pumpe aus, anschließend ist die Pumpe betriebsbereit.

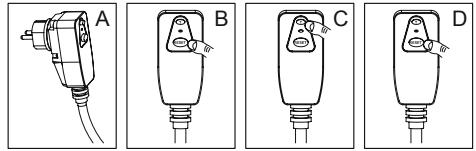
WARNUNG: GEFAHR EINES ELEKTRISCHEN SCHLAGS.

Der RCD-Anschluss muss jeder Benutzung getestet werden.

WARNUNG: Verwenden Sie die Pumpe nicht, wenn dieser Test scheitert. Wenden Sie sich an Ihren lokalen Bestway Kundendienst.

WARNUNG: Schließen Sie den RCD-Stecker an eine Fehlerstrom-Schutzeinrichtung an, deren Ansprechdifferenzstrom mehr 30mA nicht übersteigt.

WARNUNG: Vergewissern Sie sich, dass die Netzspannung der Steckdose für die Pumpe geeignet ist, bevor Sie den Netzstecker in die Steckdose einstecken.



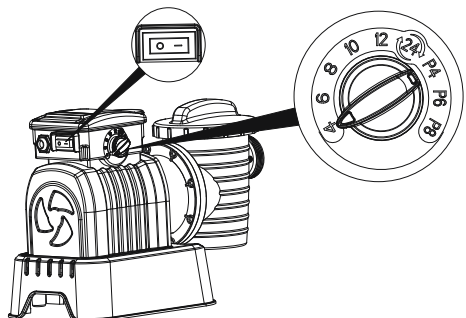
BETRIEB

Zeitschaltuhr

1. Verbinden Sie das Gerät mit der Stromquelle. Schalten Sie den Netzschalter „EIN“ (-). Der Sandfilter nimmt die Arbeit sofort auf.

2. Schalten Sie den

Netzschalter „AUS“ (0). Der Sandfilter stoppt sofort.



3. Nach dem Einschalten können Sie die Betriebsdauer, Ruhe- und Zykluszeit durch Drehen des Einstellrades in die gewünschte Stellung bringen. Weitere Angaben entnehmen Sie bitte der nachstehenden Tabelle.
4. Wenn das Timer-Stellrad in eine neue Stellung gedreht wird, wird der vorherige Timer-Zyklus automatisch überschrieben und der neu eingestellte Zyklus beginnt.
5. Immer, wenn der Filter eingeschaltet oder neu gestartet wird, beginnt ein neuer Zyklus basierend auf der Stellung des Stellrades.

HINWEIS: Wenn das Stellrad in die 24-Stunden-Stellung (24) gedreht wird, arbeitet der Sandfilter ununterbrochen ohne Ruhezeit.

Position	Arbeitszeit (H)	Ruhezeit (H)	Zyklusperiode (H)
4	4	20	24
6	6	18	24
8	8	16	24
10	10	14	24
12	12	12	24
24	24	0	24
P4	4	4	8
P6	6	6	12
P8	8	8	16

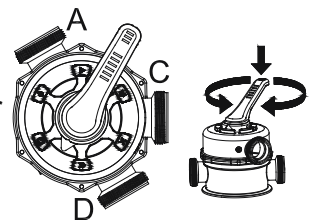
ÜBERSICHT STEUVENTIL

WARNUNG: Ziehen Sie zur Vermeidung von Beschädigungen und Verletzungen immer den Stecker des Sandfilters heraus, bevor Sie die Funktion des Steuerventils ändern.

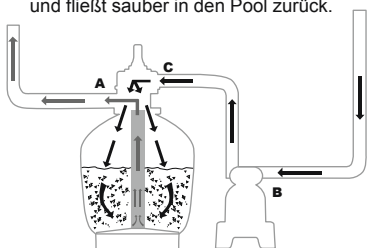
Die Änderung der Position des Ventils während des Betriebs kann zu Beschädigungen des Steuerventils führen, die zu Verletzungen oder Sachschäden führen können.

Benutzung des Steuerventils

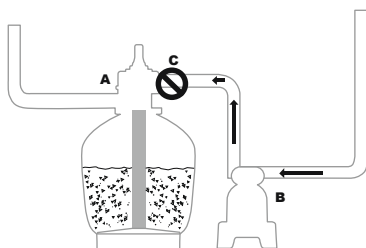
Drücken Sie den Griff des Steuerventils herunter und drehen Sie ihn auf die gewünschte Funktion.



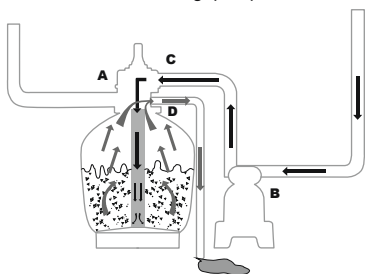
▶ Filtern: Diese Position wird zum Filtern des Poolwassers verwendet und sollte für 99% der Zeit eingestellt werden. Das Wasser wird durch den Sandfilter gepumpt und fließt sauber in den Pool zurück.



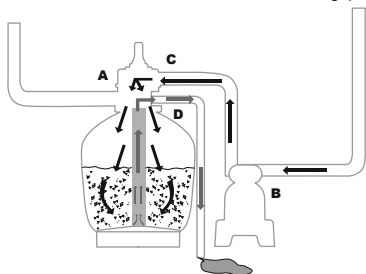
✗ Geschlossen: Diese Funktion unterbricht den Wasserfluss zwischen dem Sandfilter und dem Pool.



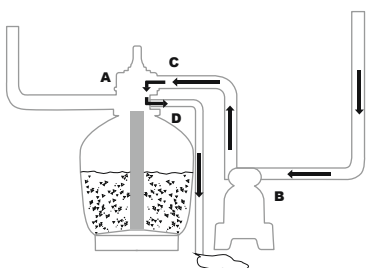
◀ Ausspülen: Diese Funktion wird zum Reinigen des Sandbetts verwendet; das Wasser wird durch die Kollektornabe hinab, durch das Sandbett hinauf und durch den Anschluss D hinaus gepumpt.



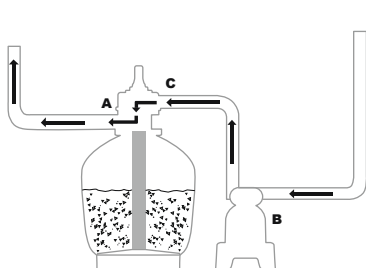
💧 Spülen: Diese Funktion für die Inbetriebnahme wird zum Reinigen und Nivellieren des Sandbetts nach dem Ausspülen verwendet; das Wasser wird durch das Sandbett hinab, durch die Kollektornabe hinab und durch den Anschluss D hinaus gepumpt.



⌵ Ablassen: Diese Funktion pumpt das Wasser aus dem Pool ab, das heißt das Wasser wird nicht in den Pool zurück, sondern durch den Anschluss D herausgepumpt.



↻ Umwälzen: Diese Funktion wälzt das Poolwasser am Sandfilter vorbei um; benutzen Sie diese Funktion, falls der Filter defekt ist, um den Schmutz im Schmutzfilter zu fangen.



HINWEIS:

- Stellen Sie immer sicher, dass beim Ablassen alle lokalen, regionalen und/oder staatlichen Bestimmungen eingehalten werden. Lassen Sie das Wasser nicht in Bereichen ab, in denen

- die Gefahr von Überschwemmung oder Beschädigung besteht.
- Das Wasser wird durch den Anschluss D des Steuerventils herausgepumpt, wenn das Steuerventil auf die Position Ausspülen, Spülen oder Ablassen gestellt ist.
 - Stecken Sie den Stecker des Sandfilters nicht ein, wenn das Steuerventil auf die Funktion "Geschlossen" gestellt ist; anderenfalls wird der Sandfilter ernsthaft beschädigt.
 - Stellen Sie das Steuerventil nicht zwischen zwei Funktionen, da es anderenfalls undicht wird.
 - Um einen Wasseraustritt zu verhindern, schrauben Sie Anschluss D auf das Regelventil D, bevor Sie den Filter in Betrieb nehmen oder die Spülfunktion starten.

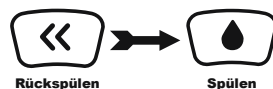
Ablassen der Luft

Den Hebel des Regelventils nach unten drücken und warten bis Wasser aus Anschluss D fließt, um die Luft abzulassen.

HINWEIS: Es ist wichtig, diesen Vorgang jedes Mal zu wiederholen, wenn Sie die Pumpe starten, nachdem sie winterfest gemacht, gewartet oder das Sandbett rückgespült wurde.

VOR DER ERSTEN INBETRIEBNAHME

Die Rückspülung und Spülung muss durchgeführt werden, um die Pumpe für den ersten Gebrauch vorzubereiten und den Sand auszuspülen.



VORSICHT: DEN SANDFILTER NICHT OHNE WASSER BETREIBEN

1. Drücken Sie den Hebel des Regelventils nach unten und drehen Sie es auf die Position für die Rückspülfunktion.
2. Stellen Sie die Stromversorgung her und schalten Sie die Sandfilteranlage ein. Betreiben Sie die Anlage für 3-5 Minuten, bis das Wasser klar ist.
3. Schalten Sie den Sandfilter aus und stellen Sie das Regelventil auf die Spülfunktion.
4. Schalten Sie den Sandfilter ein und betreiben Sie ihn für 1 Minute. Dies lässt Wasser in umgekehrter Richtung durch den Sandfilter laufen und lässt Wasser aus dem Anschluss D ab.
5. Schalten Sie den Sandfilter aus. Schließen Sie das Regelventil.
6. Füllen Sie das Poolwasser auf, falls erforderlich.

WICHTIG: Dieses Verfahren entfernt Wasser aus dem Pool, das ersetzt werden muss. Schalten Sie den Sandfilter sofort aus, wenn sich der Wasserspiegel den Ein- und Auslassventilen des Pools nähert.

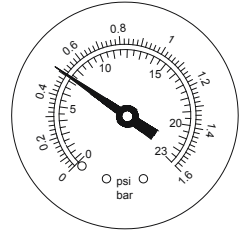
1. Nun ist der Sandfilter betriebsbereit. Stellen Sie das Steuerventil auf die Funktion „Filter“.

HINWEIS: Trocknen Sie sich selbst und den Sandfilter zur Vermeidung der Gefahr vor elektrischen Schlägen ab.

WICHTIG: Vergewissern Sie sich vor dem Vorgang, dass der Tank stabil auf der Tankhalterung steht und dass er korrekt mit der Pumpe verbunden ist.

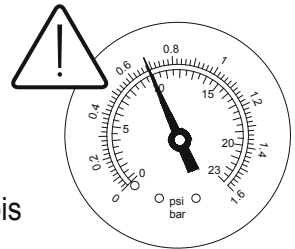
2. Schalten Sie den Sandfilter ein, um ihn in Betrieb zu nehmen.

Anmerkung: Jetzt beginnt der Filterzyklus des Sandfilters. Überprüfen Sie das in den Pool zurückfließende Wasser und lesen Sie die Druckanzeige ab. Im Allgemeinen empfehlen wir während des Betriebs einen Sandfilterdruck von unter 0.56Bar (8.0PSI).



Wartung des Sandfilters

VORSICHT: Sie müssen sicherstellen, dass der Sandfilter ausgeschaltet und von der Energieversorgung getrennt ist, bevor Sie mit Wartungsarbeiten jeglicher Art beginnen, da ansonsten das Risiko schwerer Verletzungen bis hin zum Tod besteht. Wenn sich Schmutz im Sandfilter ansammelt, erhöht sich der Druck im Druckmesser. Wenn die Druckanzeige 0,56 Bar (8,0 PSI) überschreitet oder der Wasserflusssich verlangsamt, sollte der Sandfilter gereinigt werden. Zur Reinigung des Sandbetts befolgen Sie bitte alle bereits erläuterten Anweisungen im **AbschnittRückspülen und Spülen**.



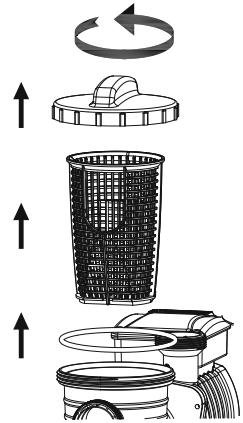
HINWEIS:

1. Der Druckmesser dient lediglich Wartungs-/Referenzzwecken und darf nicht als Präzisionsinstrument verwendet werden.
2. Wir empfehlen eine monatliche Reinigung des Sandbetts oder bei entsprechender Nutzung des Pools seltener. Reinigen Sie den Sand nicht zu häufig.

Reinigen des Siebs

1. Schalten Sie den Sandfilter aus und stellen Sie das Steuerventil auf die Funktion Geschlossen.
2. Ersetzen Sie das Schmutzsieb durch Verschlussstopfen, um einen Wasseraustritt zu vermeiden.
3. Entfernen Sie die Siebabdeckung durch Abschrauben.
4. Nehmen Sie das Sieb heraus und entfernen Sie alle Rückstände.
5. Bringen Sie das Sieb wieder an. Prüfen Sie, ob die Öffnung im Sieb ausgerichtet wurde.
6. Prüfen Sie, ob der Dichtring vorhanden ist. Schrauben Sie die Siebabdeckung wieder ein.
7. Entfernen Sie die Verschlussstopfen und setzen Sie die Schmutzsiebe ein.

HINWEIS: Das Sieb muss regelmäßig entleert und gesäubert werden. Ein verschmutztes oder verstopftes Sieb verringert die Leistung des Sandfilters.



Absenken des Wasserspiegels und Ablassen des Wassers

1. Ziehen Sie den Stecker des Sandfilters heraus und stellen Sie das Steuerventil auf die Funktion „Ablassen“.
2. Klemmen Sie den Schlauch vom Einlass A des Pools und vom Anschluss A des Sandfilters ab und an den Anschluss D an.
3. Schalten Sie den Sandfilter ein und drücken Sie den „RESET“-Knopf, um den Filter zu betreiben und das Poolwasser zu entfernen.

WARNUNG: LASSEN SIE DEN SANDFILTER NICHT TROCKEN LAUFEN.

Winterfest machen und längere Lagerung


In Zonen, in denen im Winter Frostgefahr besteht, muss die Pool-Ausrüstung winterfest gemacht werden, um sie gegen Beschädigungen zu schützen. Wenn das Wasser im Sandfilter gefriert, wird er beschädigt und der

Gewährleistungsanspruch verfällt.

1. Den Sandfilter rückspülen.
2. Lassen Sie das Wasser gemäß den Anweisungen des Benutzerhandbuches für den Pool ab.
3. Öffnen Sie die Ablaufmutter unterhalb des Filterbehälters und lassen Sie das übrige Wasser ab.
4. Trennen Sie die beiden Schläuche von Schwimmbecken und Sandfilter.
5. Spülen Sie den Sand vollständig aus dem Behälter und trocknen Sie alle Bauteile.
6. Sandfilter aus dem Poolbereich entfernen und an einem trockenen, nicht im Freien befindlichen Ort und außerhalb der Reichweite von Kindern aufbewahren.

FEHLERBEHEBUNG		
Probleme	Wahrscheinliche Ursachen	Lösungen
Sand fließt in den Pool	<ul style="list-style-type: none"> - Die Größe der Sandkörner ist zu gering - Einstellen des Regelventils von der Rückspül- auf die Filterfunktion, ohne den Sandfilter zu stoppen. - Die Füllhöhe des Sandes ist zu hoch - Der Abschäumer wurde beschädigt 	<ul style="list-style-type: none"> - Empfehlung: #20 Quarzsand 0,45-0,85mm - Stoppen Sie den Sandfilter jedes Mal, wenn die Einstellung des Regelventils verändert wird - Überprüfen Sie, ob die Füllhöhe des Sandes zwischen den Markierungen „MAX“ und „MIN“ an der Nabe liegt - Ersetzen Sie den Abschäumer
Kein Wasserfluss	<ul style="list-style-type: none"> - Verschlussstopfen wurden nicht entfernt - Die Luft wurde nicht abgelassen - Das Regelventil wurde geschlossen - Das Sieb wurde verstopft - Sandfilter beschädigt 	<ul style="list-style-type: none"> - Entfernen Sie die Verschlussstopfen und setzen Sie die Schmutzsiebe ein. - Lassen Sie die Luft ab - Aktivieren Sie die Filterfunktion - Reinigen Sie das Sieb - Wenden Sie sich an den Kundendienst
Übermäßig hoher Filterdruck	<ul style="list-style-type: none"> - Verschmutzter Filter - Verkalktes Sandbett - Unzureichende Rückspülung - Der Druckmesser wurde beschädigt 	<ul style="list-style-type: none"> - Rückspülung - Überprüfen und Austauschen des Sandes, wenn erforderlich - Rückspülen, bis das abfließende Wasser klar ist - Ersetzen Sie den Druckmesser
Leckage des Regelventils an Anschluss D	<ul style="list-style-type: none"> - Das Regelventil wurde zwischen zwei Funktionen gestellt - Die Dichtung wurde beschädigt 	<ul style="list-style-type: none"> - Stellen Sie das Ventil auf eine Funktion - Ersetzen Sie die Dichtung
Leckage der Anschlüsse	<ul style="list-style-type: none"> - Dichtungsring der Anschlüsse nicht korrekt platziert - Dichtungsring der Anschlüsse beschädigt - Gelockerte Schläuche 	<ul style="list-style-type: none"> - Neupositionierung des Dichtungsringes - Ersetzen Sie den Dichtungsring - Ziehen Sie die Schläuche fest

ZANDFILTER GEBRUIKSAANWIJZINGEN

Bezoek het Bestway YouTube-kanaal 



VEILIGHEIDSINSTRUCTIES

WAARSCHUWING

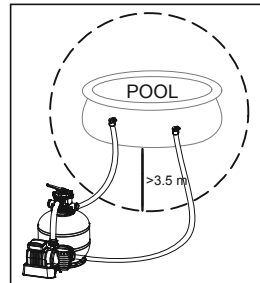
BELANGRIJKE VEILIGHEIDSINSTRUCTIES LEES ALLE VEILIGHEIDSINSTRUCTIES EN VOLG ZE OP.

Bij het installeren en gebruiken van deze elektrische apparatuur, moeten de basisvoorzorgsmaatregelen voor de veiligheid altijd worden opgevolgd:

- De pomp moet gevoed worden door een scheidingstransformator of via een aardlekschakelaar (RCD) met een aardlekstroom van maximaal 30 mA.
- De stroombron op de wand van het gebouw moet zich op een afstand van meer dan 4 m van het zwembad bevinden.
- Het apparaat moet voorzien zijn van een gearde voedingsbron.
- **GEVAAR VOOR ELEKTRISCHE SCHOKKEN** - De pomp kan niet worden gebruikt wanneer er zich mensen in het zwembad bevinden. Laat niemand in het zwembad gaan als het zandfilter beschadigd is.
- **GRAAF HET SNOER NIET IN.** Zorg ervoor dat het snoer niet kan worden beschadigd door grasmaaiers, heggenscharen of andere machines.
- Vervang beschadigde snoeren onmiddellijk, om het gevaar voor elektrische schokken te beperken.
- Als het elektriciteits snoer beschadigd is, dient het te worden vervangen door de fabrikant of diens onderhoudstechnicus of een dergelijk deskundig persoon, om alle gevaar te voorkomen.
- Verlengsnoeren mogen niet worden gebruikt.
- Gevaar voor elektrische schokken. Het gebruik van het zandfilter met een niet-bijpassende stroombron is gevaarlijk en brengt het zandfilter onherstelbare schade toe.
- Verwijder nooit de aarde-pin en verander niets aan de stekker. Gebruik geen verloopstekkers. Raadpleeg een bevoegde elektricien voor al uw vragen met betrekking tot de aarding van de stekker.
- Voorzichtig, het zandfilter is breekbaar. Sleep en draag het zandfilter niet aan het snoer. Trek nooit de stekker aan het snoer uit het stopcontact. Zorg ervoor dat het snoer niet beschadigt. Het zandfilter mag niet in aanraking

- komen met scherpe voorwerpen, olie, bewegende delen en hitte.
- Haal altijd de stekker van dit product uit het stopcontact voordat u het product verwijdert, schoonmaakt, repareert of er wijzigingen aan aanbrengt.
 - Steek de stekker nooit in het stopcontact of haal de stekker nooit uit het stopcontact met een natte hand
 - Haal de stekker altijd uit het apparaat:
 - op regenachtige dagen
 - voorafgaand aan reiniging of ander onderhoud
 - indien onbeheerd tijdens vakanties
 - Wanneer het apparaat langdurig niet gebruikt wordt, zoals in de winter, dan moet de zwembadset gedemonteerd worden en binnen worden opgeslagen.
 - **Let op:** Lees de instructies alvorens het apparaat te gebruiken en voor elke installatie/hermontage.
 - Goed bewaren van de instructies. Iedere keer wanneer u het zwembad opzet, dient u de instructies te raadplegen
 - Als u de instructies kwijt bent, neem dan contact op met Bestway of zoek het op, op website: www.bestwaycorp.com
 - Elektrische installaties moeten de nationale bedradingsregelgevingen volgen. Raadpleeg een gekwalificeerd elektricien indien u vragen hebt.
- VOORZICHTIG:** Dit zandfilter mag uitsluitend worden gebruikt voor zwembaden die opgeslagen kunnen worden. Gebruik het filter niet voor blijvend geïnstalleerde zwembaden. Een zwembad dat opgeslagen kan worden, is zo gebouwd dat het snel kan worden ontmanteld voor opslag en ook weer snel kan worden opgebouwd. Een blijvend geïnstalleerd zwembad staat zodanig in of op de grond of in een structuur dat het niet snel kan worden ontmanteld voor opslag.
- Dit apparaat kan worden gebruikt door kinderen vanaf 8 jaar en personen met beperkte fysieke, sensorische of mentale capaciteiten, of gebrek aan ervaring en kennis, indien zij onder supervisie staan of instructies hebben gekregen over het gebruik van het apparaat op een veilige manier en de gevaren ervan begrijpen. Kinderen mogen niet met het apparaat spelen. Reinigen en gebruiksonderhoud mag niet door kinderen worden verricht zonder supervisie.
 - Reiniging en onderhoud moeten uitgevoerd worden door een volwassene die ouder is dan 18 jaar en die bekend is met het risico van elektrische schokken.
- OPMERKING:**
- Plaats het zandfilter op een stevige en vlakke ondergrond. Zorg ervoor dat het zandfilter ten minste 3.5meter van het zwembad af staat. Houd de afstand zo groot mogelijk.

- Zorg ervoor dat het zwembad en het filter zo zijn opgesteld dat er voldoende ventilatie, afvoer en mogelijkheid tot schoonmaken zijn. Plaats het zandfilter nooit op een plek waar zich water kan verzamelen of in een drukke looproute.
- De stekker moet ook toegankelijk blijven nadat het bad is geïnstalleerd. De stekker van het zandfilter moet ten minste 3.50meter van het zwembad verwijderd zijn.
- De weersomstandigheden kunnen de werking en de levensduur van het zandfilter negatief beïnvloeden; neem maatregelen om het zandfilter te beschermen tegen onnodige slijtage die kan optreden tijdens perioden van koud of heet weer en/of blootstelling aan de zon.
- Controleer voor gebruik of alle onderdelen van het zandfilter aanwezig zijn. Meld beschadigingen of missende onderdelen bij aankoop aan de klantenservice van Bestway (de gegevens staan in deze handleiding).
- Alle versleten onderdelen moeten zo snel mogelijk worden vervangen. Gebruik uitsluitend de onderdelen die door de fabrikant zijn goedgekeurd.
- Sta niet toe dat kinderen of volwassenen op het apparaat leunen of zitten.
- Doe geen chemicaliën in het zandfilter.
- Bij het gebruik van chemicaliën voor het schoonmaken van het water in het zwembad, is het aan te raden om een minimale filtertijd aan te houden voor de gezondheid van de zwemmers die afhankelijk is van het voldoen aan de gezondheidsvoorschriften.
- Alleen de bijgeleverde media of deze aangegeven door de fabrikant mogen bij de installatie van het product gebruikt worden.
- Het is essentieel te controleren dat de zuigopeningen niet geblokkeerd zijn.
- Het is raadzaam de filtratie te stoppen tijdens onderhoudswerkzaamheden aan het filtersysteem.
- Controleer regelmatig het verstoppingsniveau van de filter.
- Een wekelijkse controle is aanbevolen voor terugspoelen of reinigen. Een minimum dagelijkse filterbedrijfstijd van 8 uur is aanbevolen om te zorgen voor helder zwembadwater.
- Het is essentieel om elk beschadigd element of set van elementen zo snel mogelijk te vervangen. Gebruik alleen onderdelen goedgekeurd door de persoon verantwoordelijk voor de introductie van het product op de markt.
- Alle filters en filtermedia zullen regelmatig geïnspecteerd worden om ervoor te zorgen dat er geen opeenhoping van vuil is wat een goede filtratie verhindert. Het verwijderen van gebruikte filtermedia moet



- gebeuren volgens de toepasselijke regelgevingen/wetgeving.
- Volg alle veiligheidseisen en aanbevelingen beschreven in de handleiding. In het geval van twijfel over de pomp of circulatie-apparaten, neem contact op met een bevoegde installateur, of de fabrikant/importeur/distributeur. De watercirculatieinstallatie moet voldoen aan de Europese maar ook aan nationale/lokale regelgevingen, vooral voor wat betreft elektrische kwesties. Elke wijziging van de kleppositie, pomp grootte, roostermaat kan een wijziging van de stroming veroorzaken en de zuig snelheid kan verhogen.
 - Dit product is niet bestemd voor een commercieel gebruik.

**Lees de handleiding zorgvuldig en bewaar ze voor toekomstige referentie.
BEWAAR DEZE INSTRUCTIES**

AFVOEREN ALS AFVAL



Betekenis van de doorkruiste vuilnisbak op wielen:

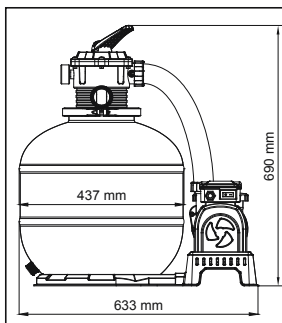
Elektrische apparatuur dient niet afgedankt te worden samen met het gewoon huishoudelijk afval.

Contacteer uw plaatselijke overheid om meer informatie te krijgen over de beschikbare manieren van afvalophaling.

Wanneer elektrische apparatuur gedumpt wordt in de natuur, kunnen gevaarlijke stoffen in het grondwater sijpelen en in de voedselketen terechtkomen, wat schadelijk is voor uw gezondheid en welzijn.

Wanneer u uw oude apparatuur wilt vervangen door nieuwe, is de verkoper wettelijk verplicht uw oude apparatuur gratis terug te nemen voor afdanking.

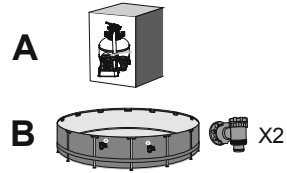
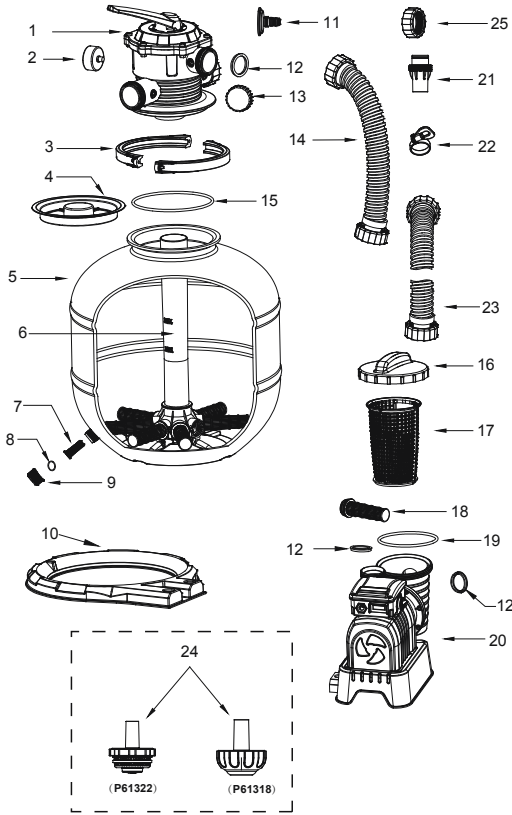
SPECIFICATIES



Diameter van het filter:	437 mm
Effectief filtergebied:	0.150 m ² (1.61 ft ²)
Max. bedrijfsdruk:	1.58 Bar (23 PSI)
Zandfilterdruk in bedrijf:	<0.56 Bar (8 PSI)
Max. watertemperatuur:	35°C
Zand:	Niet inbegrepen
Formaat zand:	#20 silicazand, 0.45-0.85 mm
Inhoud zand:	Ongeveer 45 kg

ÜBERSICHT BAUTEILE

Bitte überprüfen Sie vor der Montage des Sandfilters alle Bauteile und machen Sie sich mit ihnen vertraut.

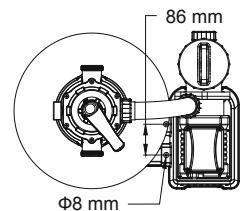


REF.-NR.	NR. WISSELOND.	A	B
1	P03850	1	1
2	P61138ASS16	1	1
3	P03832	2	2
4	P61209ASS16	1	1
5	P03848	1	1
6	P61206ASS16	1	1
7	P61211ASS16	1	1
8	P6581ASS16	1	1
9	P6580ASS16	1	1
10	P03847	1	1
11	P6614ASS16	1	1
12	P6029ASS16	5	5
13	P03830	1	1
14	P03849	1	1
15	P61214ASS16	1	1
16	P6561ASS16	1	1
17	P6562ASS16	1	1
18	P61210ASS16	8	8
19	P6563ASS16	1	1
20	P00578	1	1
21	P6916ASS16	2	0
22	P6124ASS16	2	0
23	P6028FRASS16	2	2
24	P61322ASS16	1	0
	P61318ASS16	1	0
25	P03829	1	1

Monteren (U hebt een schroevendraaier nodig.)



1. Verwijder alle onderdelen voorzichtig uit de verpakking en controleer of er niets is beschadigd. Als de apparatuur is beschadigd, meld dat dan onmiddellijk aan de verkoper bij wie u de apparatuur hebt gekocht.
2. Het zandfilter moet op een stevige, vlakke ondergrond worden gezet, bij voorkeur een betonnen plaat. Plaats het zandfilter



zodanig dat de poorten en de regelklep toegankelijk zijn voor bediening, onderhoud en klaarmaken voor de winter.

3. De EN60335-2-41 TEST-norm vereist dat de zandfilter vóór gebruik verticaal bevestigd moet worden op de grond of op een voetstuk van hout of beton, zodat hij niet accidenteel kan vallen. De volledig geassembleerde zandfilter weegt meer dan 18kg. De montagegaten moeten een diameter hebben van 8mm en moeten een onderlinge afstand van 86mm hebben. Gebruik twee bouten en moeren met een maximale diameter van 8mm om de zandfilter op het voetstuk te bevestigen.

Laad zwembadkwaliteit filterzand/Flowclear™ Polysphere.

OPMERKING: Gebruik alleen speciaal filterzand voor zwembaden, zonder kalk of klei. #20 Silicazand 0.45 – 0.85mm, een zak van 45kg moet ongeveer voldoende zijn. Als u de geadviseerde grootte van het filterzand niet aanhoudt, dan wordt de filterprestatie beperkt en het zandfilter kan beschadigen, waarbij ook de garantie vervalt.

BELANGRIJK: We raden aan om #20 kiezelzand te gebruiken in het zandfilter van uw zwembad. Dit heeft de specifieke afmetingen om deeltjes met een grootte van 20 - 100 micron op te vangen.

Een klein beetje vuil kan door het zand heen terug in het zwembad komen. Dit is normaal, met name als het fijn vuil of slib betreft.

Om dit te beperken, is het het beste om de onderhoudsinstructies op te volgen en terug te spoelen en te spoelen wanneer dat nodig is.

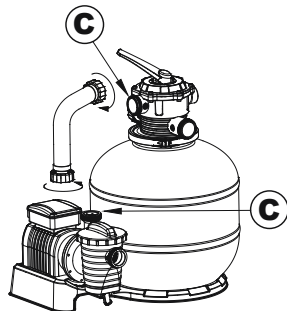
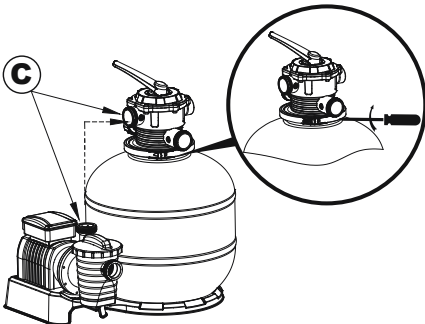
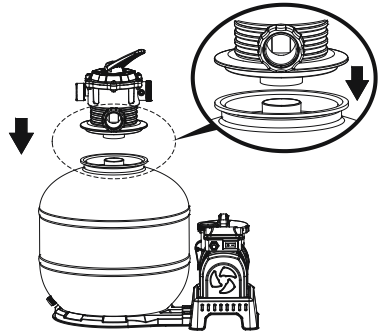
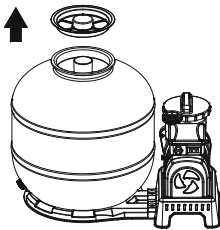
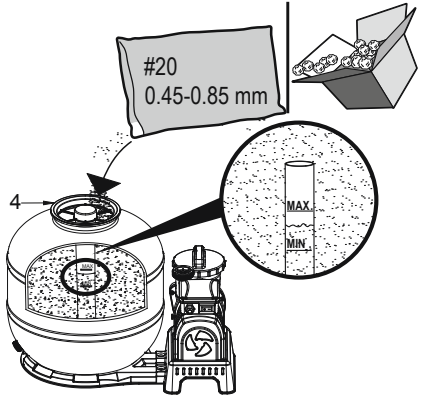
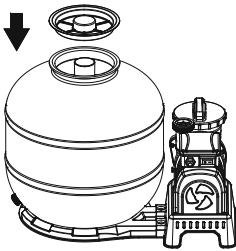
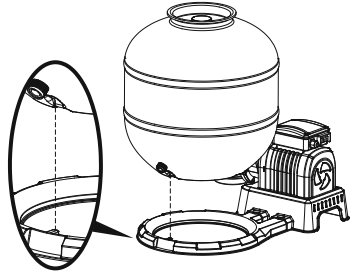
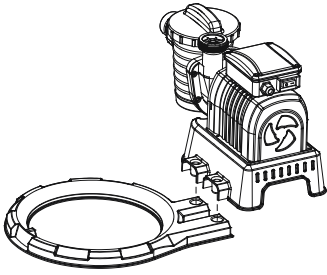
We raden ook aan om contact op te nemen met uw zwembaddealer voor het chemische product dat speciaal is gemaakt om het zand te reinigen. Het juiste onderhoud van het zand zorgt voor een optimale reiniging en voorkomt ophoping van olie of aanslag. Wanneer u de bodem van het zwembad zuigt waar veel vuil op ligt, raden we aan om het zand terug te spoelen nadat de helft van het zwembad is gereinigd.

Vergeet niet om het zand iedere keer na het zuigen van de zwembadbodem terug te spoelen en te spoelen.

OPMERKING: Om te voorkomen dat de skimmer beschadigt bij het toevoegen van het zand, giet u wat water in de ondertank zodat de skimmer op de verzamelaar onder water staat.

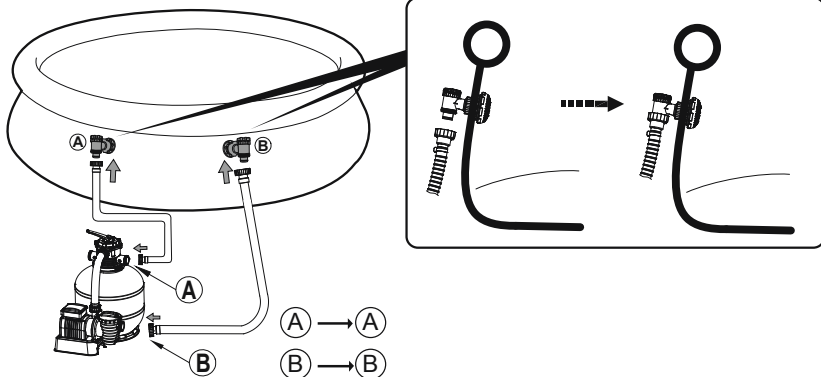
OPMERKING: Zand/Flowclear™ Polysphere niet inbegrepen.

OPMERKING: Gebruik 28 g (0.06 lbs) Flowclear™ Polysphere als vervanging van 1 kg (2.20 lbs) zand.

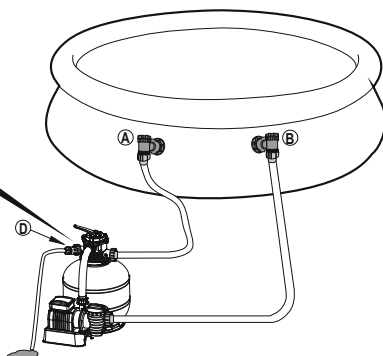
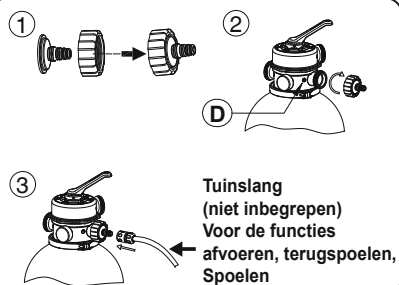


Sluit aan op het zwembad

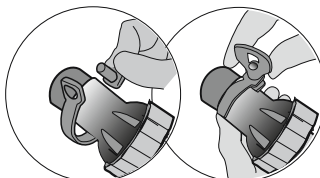
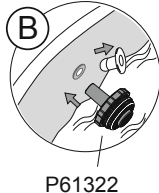
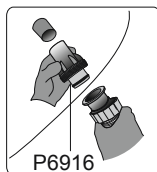
1



2



Voor zwembad met ventiel van 32mm (1.25in)

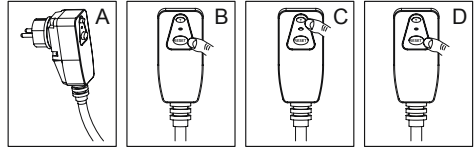


STOP

Lees de handleiding zorgvuldig alvorens in te schakelen.

RCD Test

A. Steek de stekker in het stopcontact.



B. Druk op de

“RESET”-knop. Het lampje moet dan rood gaan branden.

OPMERKING: Als het indicatielampje niet brandt, is de test mislukt.

C. Druk op de knop “T”, het lampje gaat uit.

OPMERKING: Als het indicatielampje niet uit is, is de test mislukt.

D. Druk op de knop “RESET”, het lampje brandt rood.

E. Trek de stekker van de pomp uit, en de pomp is klaar voor gebruik.

WARNUNG: RISICO VOOR ELEKTRISCHE SCHOKKEN. De RCD-stekker moet vóór elk gebruik getest worden.

WARNUNG: Gebruik de pomp niet indien deze test mislukt. Neem contact met uw plaatselijke Bestway Dienst na-verkoop.

WARNUNG: Steek de stekker in een aardlekschakelaar met een spanning die de 30mA niet overstijgt.

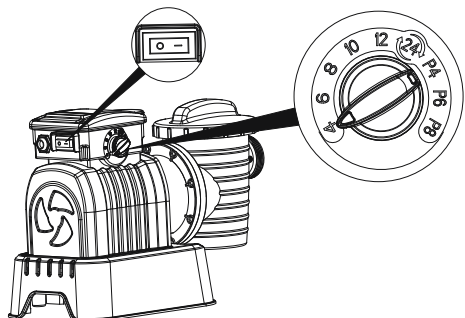
WARNUNG: Voor u aansluit op de stroomtoevoer, moet u controleren of de huidige spanningssterkte geschikt is voor de pomp.

WERKING

Timer

1. Steek de stekker in het stopcontact en zet de voedingsschakelaar op "AAN" (-). Het zandfilter begint onmiddellijk te werken.

2. Zet de voedingsschakelaar op "UIT" (0). Het zandfilter stopt



onmiddellijk met werken.

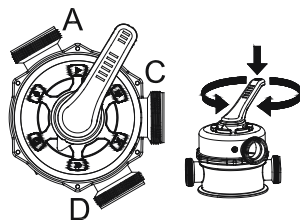
3. Na het inschakelen kunt u de werktijd, rusttijd en cyclustijd instellen door de knop op de gewenste positie te draaien. Zie de onderstaande tabel voor meer informatie.
4. Wanneer de timerknop op een nieuwe positie wordt gezet, wordt de vorige filtercyclus automatisch geannuleerd zodat de nieuwe cyclus kan beginnen.
5. Steeds wanneer het filter wordt ingeschakeld of opnieuw wordt gestart, begint er een nieuwe cyclus op basis van de positie van de timerknop.

OPMERKING: Als de knop op de 24-uurspositie wordt gezet (24), werkt het zandfilter doorlopend zonder rustperiodes.

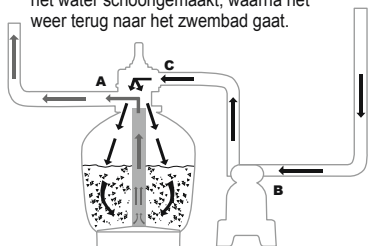
Positie van de knop	Werktijd (u)	Rusttijd (u)	Cyclusperiode (u)
4	4	20	24
6	6	18	24
8	8	16	24
10	10	14	24
12	12	12	24
24	24	0	24
P4	4	4	8
P6	6	6	12
P8	8	8	16

OVERZICHT VAN DE REGELKLEP

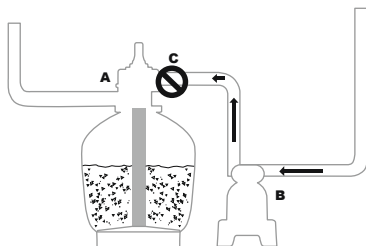
WAARSCHUWING: Haal de stekker van de zandfilterpomp altijd uit het stopcontact voordat u de functie van de regelklep verandert om schade aan de apparatuur en verwondingen te voorkomen. Het wijzigen van de klepposities terwijl de pomp werkt kan de regelklep beschadigen, hetgeen verwondingen aan personen of schade aan voorwerpen kan veroorzaken. De regelklep gebruiken
Duw de hendel van de regelklep omlaag en draai de hendel op de gewenste functie.



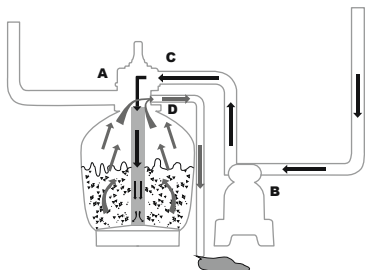
▶ Filteren: Deze functie wordt gebruikt om zwembadwater te filteren; de regelklep moet 99% van de tijd op deze functie staan. Er wordt water door het zandfilter gepompt. In het zandfilter wordt het water schoongemaakt, waarna het weer terug naar het zwembad gaat.



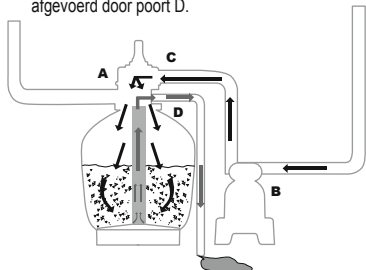
✗ Gesloten: Deze functie zorgt ervoor dat er geen water meer stroomt tussen het zandfilter en het zwembad.



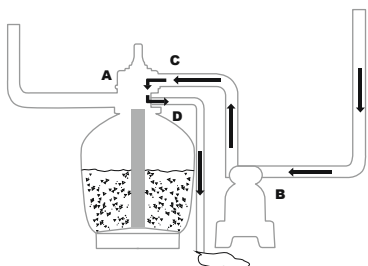
◀ Zand reinigen: Deze functie wordt gebruikt om het zandbed te reinigen; er wordt water omlaag gepompt door de aansluiting, omhoog door het zandbed en afgevoerd door poort D.



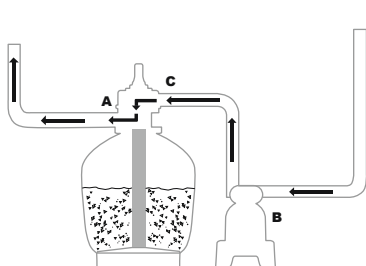
💧 Spoelen: Deze functie is voor de eerste maal dat de pomp wordt gestart, het schoonmaken van het zand en het nivelleren van het zandbed na het reinigen van het zand; er wordt water naar beneden door het zand gepompt, omhoog door de aansluiting en dan wordt het afgevoerd door poort D.



⌵ Afvoeren: Deze functie voert water af uit het zwembad; ook bij deze functie gaat het water niet door het filter: het water wordt door poort D afgevoerd in plaats van terug te gaan naar het zwembad.



↻ Circuleren: Deze functie laat het zwembadwater circuleren zonder het door het zandfilter te laten komen; gebruik deze functie als het filter kapot is om vuil te verzamelen in de vuilopvangschermen.



OPMERKING:

- Zorg ervoor dat alle maatregelen voor het afvoerwater voldoen aan de van toepassing zijnde plaatselijke, regionale of nationale wetten.

Voer water niet af op plaatsen waar het overstromingen of schade veroorzaakt.

- Als de regelklep op de positie Zand reinigen, Spoelen of Afvoeren wordt gezet, wordt er water afgevoerd via poort D op de regelklep.
- Steek de stekker van het zandfilter niet in het stopcontact en zet het filter niet aan terwijl de regelklep op de functie Gesloten staat, anders wordt het zandfilter ernstig beschadigd.
- Zet de regelklep niet tussen twee functies in, anders zal er lekkage optreden.
- Om waterlekkage te vermijden, schroef de Poort D Dop op de Regelklep Poort D vooraleer de filter of circulatiefilter in werking te zetten.

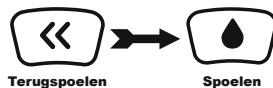
Ontluchting

Druk de regelklephendel naar omlaag en wacht tot het water uit Poort D loopt om de lucht te laten ontsnappen.

OPMERKING: Het is belangrijk om deze bewerking te herhalen telkens als u de pomp start na winterklaar maken, onderhoud en terugspoelen van het zandbed.

INSTRUCTIES BIJ EERSTE GEBRUIK

Terugspoelen en spoelen moeten worden uitgevoerd om de pomp op zijn eerste gebruik voor te bereiden en om het zand te wassen.



LET OP: LAAT DE ZANDFILTER NIET DROOG WERKEN

1. Druk de regelklephendel naar beneden en draai naar de functie Terugspoelen.
2. Sluit aan en laat de zandfilter gedurende 3-5 min werken of tot het water helder is.
3. Schakel de zandfilter uit en zet de regelklep op de spoelfunctie.
4. Schakel de zandfilter in en laat deze 1 min werken. Dit circuleert het water achterwaarts door de zandfilter en voert water af uit poort D.
5. Schakel de zandfilter uit. Stel de regelklep in op de gesloten functie.
6. Voeg zwembadwater toe indien nodig.

BELANGRIJK: Deze procedure verwijdert water uit het zwembad, dat u moet vervangen.

Schakel de zandfilter onmiddellijk uit indien de waterniveaus nabij de invoer- en uitvoerventielen van het zwembad zijn.

1. Nu is het zandfilter klaar voor gebruik. Zet de regelklep op de functie Filteren.

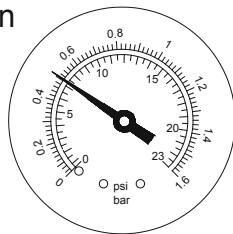
OPMERKING: Maak eerst uzelf en het zandfilter droog om elektrische schokken te voorkomen.

BELANGRIJK: Vóór de werking, zorg ervoor dat de tank stevig op zijn basis staat en correct is aangesloten op de pomp.

2. Schakel de zandfilter in.

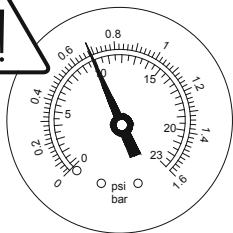
OPMERKING: Het zandfilter is nu begonnen met zijn filtercyclus. Controleer of het water terugloopt in het zwembad en controleer de filterdruk op de drukmeter.

Gewoonlijk is de aanbevolen zandfilterdruk lager dan 0.56Bar (8.0PSI) als het zandfilter loopt.



Onderhoud van het zandfilter

LET OP: U moet ervoor zorgen dat de zandfilter losgekoppeld is van het stopcontact voor u onderhoud uitvoert anders is er een ernstig risico op letsel of overlijden. Naarmate er meer vuil in de zandfilter geraakt, zal de druklezing op de manometer stijgen. Als de druklezing op de manometer 0,56 Bar (8,0 PSI) of hoger is of de waterstroom naar het zwembad te laag is, is het tijd om het zand te reinigen. Om het zandbed te reinigen, volg alle instructies eerder uiteengezet in: **Terugspoelen en spoelen.**



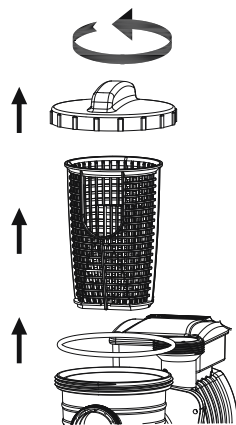
OPMERKING:

1. De manometer dient enkel voor onderhoudsdoeleinden en de waarde van de manometer dient enkel ter referentie, het is geen precisietoestel.
2. We bevelen aan dat u het zandbed eenmaal per maand reinigt of minder vaak afhankelijk van hoe het zwembad gebruikt wordt. Reinig het zand niet te vaak.

De pompkorf reinigen

1. Koppel de zandfilter los en zet de stuurklep in de stand Gesloten.
2. Plaats de afvalschermen met stoppen terug om te voorkomen dat het water wegloopt.
3. Verwijder de afdekking van de pompkorf door die los te schroeven.
4. Verwijder de pompkorf en elimineer eventueel vuil.
5. Plaats de pompkorf terug. Zorg ervoor dat de opening in de pompkorf uitgelijnd is.
6. Zorg ervoor dat de afdichtingsring op zijn plaats zit. Schroef de afdekking van de pompkorf weer op zijn plaats.
7. Verwijder de stoppen en plaats de afvalschermen.

OPMERKING: De pompkorf moet periodiek geleegd en gereinigd worden. Een vuile of vastgeslibde pompkorf zal de prestaties van de zandfilter verminderen.



Het zwembadwater gedeeltelijk of helemaal weg laten lopen

1. Haal de stekker van het zandfilter uit het stopcontact en zet de regelklep op de functie Afvoeren.
2. Maak de slang los van aanvoer A van het zwembad en poort A van het zandfilter en maak de slang vast op poort D.
3. Schakel de zandfilter in en druk op de knop RESET om de filter te laten werken en het zwembad water te verwijderen.

WAARSCHUWING: LAAT HET ZANDFILTER NIET DROOG WERKEN.

Klaarmaken voor de winter en langdurige opberging

In gebieden waar het vriest in de winter, moet de zwembaduitrusting winterklaar worden gemaakt als bescherming tegen schade. Als u het water laat bevriezen, beschadigt het zandfilter en wordt de garantie ongeldig.

1. Laat de zandfilter terugspoelen.
2. Laat het bad leeglopen volgens de instructies in de relatieve handleiding.
3. Open de afvoermoer onder aan de de tank en laat het resterende water wegvloeien.
4. Koppel de twee slangen los van het zwembad en de zandfilter.
5. Haal alle zand uit de tank en droog de onderdelen af.
6. Verwijder de zandfilter uit het zwembadgebied en bewaar de zandfilter op een droge plaats binnenshuis buiten het bereik van kinderen.

PROBLEMEN OPLOSSEN

Problemen	Mogelijke Oorzaken	Oplossingen
Er loopt zand uit het zwembad	<ul style="list-style-type: none"> - Zand is te fijn - Verplaats het regelventiel van de spoel- naar de filterfunctie zonder het zandfilter te stoppen - Het zandniveau is te hoog - De skimmer is gebroken 	<ul style="list-style-type: none"> - 0.45mm tot 0.85mm #20 silicaat zand wordt aangeraden - Stop het zandfilter elke keer als het regelventiel wordt ingesteld - Controleer of het zandniveau tussen de aangegeven "MAX" en "MIN" op de opslaghub zit - Vervang de skimmer
Geen watertoevoer	<ul style="list-style-type: none"> - De stoppen zijn niet verwijderd - Er kwam geen lucht vrij - Het regelventiel is ingesteld op Dicht - De zeef zit verstopt - Het zandfilter is kapot 	<ul style="list-style-type: none"> - Verwijder de stoppen en monteer het puinscherm - Laat lucht vrij - Stel in op de filterfunctie - Maak de zeef schoon - Bel voor hulp
Te hoge filterdruk	<ul style="list-style-type: none"> - Vuil filter - Verkalkte zandbodem - Onvoldoende spoeling - Het drukventiel is kapot 	<ul style="list-style-type: none"> - Spoelen - Controleer het zand en vervang zo nodig - Spoelen tot de uitstroom goed loopt - Vervang het drukventiel
Het Regelventiel lekt vanuit ingang D	<ul style="list-style-type: none"> - Het Regelventiel is ingesteld tussen twee functies in - De afdichting is kapot 	<ul style="list-style-type: none"> - Stel in op één functie - Vervang de afdichting
De aansluitingen lekken	<ul style="list-style-type: none"> - De borgring van de aansluitingen zit niet op de juiste plaats - De borgring van de aansluitingen is kapot - Losse Slangen 	<ul style="list-style-type: none"> - Zet de borgring op de juiste plaats - Vervang de borgring - Draai ze aan

FILTRE À SABLE MANUEL DE L'UTILISATEUR

Visitez la chaîne YouTube de Bestway 



SAFETY INSTRUCTIONS

ATTENTION

IMPORTANTES CONSIGNES DE SÉCURITÉ LISEZ ET RESPECTEZ TOUTES CES INSTRUCTIONS DE SECURITE. À LIRE ATTENTIVEMENT ET À CONSERVER POUR UNE CONSULTATION ULTÉRIEURE.

- Vous devez toujours respecter les précautions de sécurité de base concernant l'installation et l'utilisation de cet équipement électrique qui comprennent :
- La pompe doit être munie d'un transformateur de séparation ou d'un dispositif à courant résiduel (RCD) qui répond avec une intensité de courant ne dépassant pas 30 mA.
 - La source de courant sur le mur du bâtiment doit être à plus de 4 m de la piscine.
 - L'appareil doit être alimenté par une source électrique mise à la terre.
 - **RISQUE D'ÉLECTROCUTION** - Il est interdit d'utiliser la pompe quand des gens se trouvent à l'intérieur de la piscine. Interdire l'accès au bassin en cas de détérioration du ou des système(s) de filtration.
 - **NE PAS ENTERRER LE CORDON.** Placer le cordon de manière à minimiser les risques encourus par le passage de tondeuses, tronçonneuses et autres équipements.
 - Pour réduire les risques d'électrocution, remplacer immédiatement tout cordon endommagé.
 - Si le câble d'alimentation est endommagé, il doit être remplacé par le fabricant, son service après vente ou des personnes de qualification similaire afin d'éviter un danger.
 - Il est impossible d'utiliser des rallonges.
 - Risque d'électrocution. L'utilisation du filtre à sable avec une alimentation électrique non correspondante est dangereuse et peut endommager de manière permanente le filtre à sable.
 - N'enlevez pas la broche de mise à terre et ne modifiez d'aucune manière la fiche. N'utilisez pas de fiches d'adaptation. Consultez un électricien qualifié pour toutes les questions concernant la validité de vos fiches ou de la mise à terre.
 - Manipulez le filtre à sable avec soin. Ne tirez pas ou ne transportez pas le filtre

à sable par son cordon d'alimentation. Ne débranchez jamais une fiche de la prise en tirant sur le cordon d'alimentation. Le cordon doit être sans abrasions. N'exposez jamais le filtre à sable à des objets pointus, de l'huile, des pièces en mouvement et de la chaleur.

- Débranchez toujours l'appareil de la prise électrique avant d'enlever, de nettoyer, de réparer toute pièce et d'effectuer tout réglage sur l'appareil.
- Ne pas brancher ou débrancher l'appareil avec les mains humides.
- Toujours débrancher l'appareil.
 - Les jours de pluie
 - Avant le nettoyage ou une autre opération de maintenance
 - Si vous partez en vacances
- Si l'appareil ne doit pas être utilisé pendant une période prolongée comme en hiver, le kit de piscine doit être démonté et stocké à l'intérieur.
- **Attention** : Lire les instructions avant chaque utilisation et installation/assemblage de l'appareil.
- Conservez les instructions. Pour la reconstruction de la piscine, à tout moment, consultez également les instructions.
- Si les instructions sont manquantes, contactez Bestway ou recherchez sur le site web : www.bestwaycorp.com
- Les installations électriques doivent suivre les règles nationales de câblage. Consultez un électricien qualifié pour toutes les questions.

AVERTISSEMENT : Ce filtre à sable doit être utilisé uniquement dans des piscines démontables. Il ne doit pas être utilisé dans des piscines fixes. Une piscine démontable est conçue pour pouvoir être facilement démontée pour son stockage et remontée dans son intégrité d'origine. Une piscine fixe est construite sur ou dans le sol ou dans un bâtiment et elle ne peut pas être facilement démontée pour le stockage.

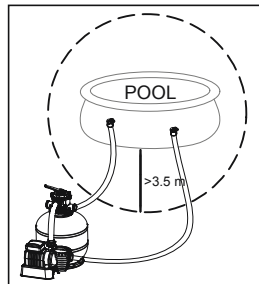
- Cet appareil peut être utilisé par des enfants à partir de 8 ans et plus et par des personnes avec des capacités physiques, sensorielles ou mentales réduites ou un manque d'expérience et de connaissances s'ils sont surveillés ou ont reçu des instructions concernant l'utilisation de l'appareil d'une manière sûre et s'ils comprennent les risques impliqués. Les enfants ne doivent pas jouer avec l'appareil. Le nettoyage et la maintenance ne doivent pas être effectués par un enfant sans surveillance.
- Le nettoyage et la maintenance doivent être effectués par un personnel adulte de plus de 18 ans qui est consciente du risque de choc électrique.

REMARQUE :

- Placez le filtre à sable sur un sol solide et à niveau. Assurez-vous que le filtre à sable soit à au moins 3.5 mètres du bord de la piscine. La distance doit être la plus grande possible.
- Faites attention de placer la piscine et le filtre à sable de manière telle qu'une

bonne ventilation, un bon écoulement et l'accès pour l'entretien soient disponibles. Ne placez jamais le filtre à sable dans une zone où de l'eau pourrait s'accumuler ou bien sur un sentier où beaucoup de personnes passent.

- La prise doit être accessible une fois la piscine installée. La prise du filtre à sable devra être à au moins 3,5 mètres de la piscine.
- Les conditions atmosphériques peuvent affecter les performances et la durée de vie du filtre à sable; prenez les précautions appropriées pour protéger le filtre à sable contre une usure non nécessaire qui pourrait se produire pendant des périodes de temps chaud ou froid et/ou après l'exposition au soleil.
- Contrôlez et vérifiez SVP que tous les composants du filtre à sable sont présents avant l'utilisation. Informez Bestway à l'adresse du service clientèle répertoriée dans ce manuel en cas de dommage ou de pièces manquantes au moment de l'achat.
- Il est impératif de changer dans les délais les plus brefs tout élément ou ensemble d'éléments détériorés. N'utiliser que des pièces agréées par le responsable de la mise sur le marché.
- Ne permettez pas à des enfants ou à des adultes de s'appuyer ou de s'asseoir sur l'appareil.
- N'ajoutez pas de produits chimiques dans le filtre à sable.
- Lorsque des produits chimiques ont été utilisés pour traiter l'eau du bassin, il est recommandé de respecter un temps minimum de filtration pour préserver la santé des baigneurs qui dépend du respect des règles sanitaires.
- Seuls les agents fournis ou spécifiés par le fabricant doivent être utilisés avec l'installation du produit.
- Il est essentiel de contrôler que les ouvertures d'aspiration ne sont pas obstruées.
- Il est conseillé d'interrompre la filtration durant les opérations d'entretien sur le système de filtration.
- Supervisez régulièrement le niveau d'obstruction du filtre.
- Il est recommandé de contrôler une fois par semaine le lavage à contre-courant ou le nettoyage. Le temps de fonctionnement minimal de la filtration quotidienne de 8 heures est recommandé pour garantir une eau de piscine limpide.
- Il est essentiel de modifier tout élément ou groupe d'éléments endommagé dès que possible. N'utilisez que des pièces agréées par la personne responsable de la mise sur le marché du produit.
- Tous les filtres et les agents de filtration doivent être inspectés régulièrement pour garantir que les débris ne s'accumulent pas car cela empêcherait une



bonne filtration. L'élimination de tout agent de filtration utilisé doit être effectuée conformément aux règlements/lois applicables.

- Respectez toutes les recommandations et consignes de sécurité figurant dans la notice. En cas de doute sur la pompe ou tout dispositif de circulation, veuillez contacter un installateur qualifié ou bien le fabricant/l'importateur/le distributeur. L'installation de la circulation de l'eau doit être conforme aux directives européennes ainsi qu'aux règlements nationaux/locaux, en particulier en ce qui concerne les problèmes électriques. Tout changement de position d'une vanne, taille de pompe, taille de grille peut provoquer un changement de débit et la vitesse d'aspiration peut donc augmenter.
- Ce produit n'est pas destiné pour utilisation commerciale.

Veuillez lire attentivement la notice d'instructions et conservez-la pour pouvoir la consulter en cas de besoin.

CONSERVEZ CES INSTRUCTIONS

MISE AU REBUT



Signification du symbole d'un caisson d'ordures barré :

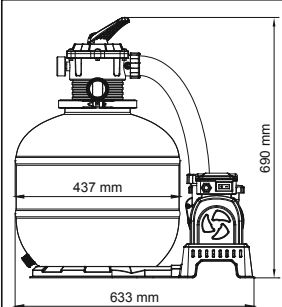
■ Ne pas éliminer les appareils électriques comme un déchet habituel, utiliser les systèmes de collecte séparés.

Contactez votre collectivité locale pour les informations concernant les systèmes de collecte disponibles.

Si les appareils électriques sont éliminés dans une décharge publique, des substances dangereuses peuvent s'écouler dans la nappe phréatique et entrer dans la chaîne alimentaire et porter atteinte à votre santé et à votre bien-être.

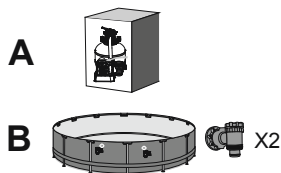
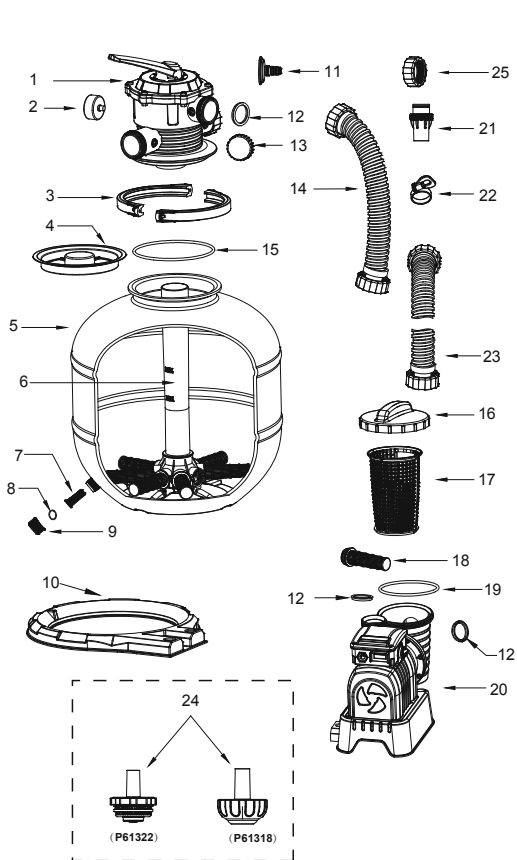
Quand vous remplacez un ancien appareil par un nouveau, le détaillant a l'obligation légale de reprendre votre ancien appareil pour son élimination sans aucune dépense de votre part.

SPÉCIFICATIONS

	Diamètre du filtre :	437 mm
	Surface réelle de filtration :	0.150 m ² (1.61 ft ²)
	Pression maximale de fonctionnement :	1.58 Bar (23 PSI)
	Pression de fonctionnement du filtre à sable :	<0.56 Bar (8 PSI)
	Température maximale de l'eau :	35°C
	Sable :	Non compris
	Dimensions du sable :	#20 sable siliceux, 0.45-0.85 mm
	Capacité de sable :	Approximativement 45 kg

VUE D'ENSEMBLE DES PIÈCES

Avant de monter le filtre à sable, prenez quelques minutes pour vous familiariser avec toutes ses pièces.

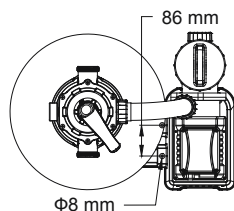


RÉF.N°	PIÈCE DE RECHANGE N°.	A	B
1	P03850	1	1
2	P61138ASS16	1	1
3	P03832	2	2
4	P61209ASS16	1	1
5	P03848	1	1
6	P61206ASS16	1	1
7	P61211ASS16	1	1
8	P6581ASS16	1	1
9	P6580ASS16	1	1
10	P03847	1	1
11	P6614ASS16	1	1
12	P6029ASS16	5	5
13	P03830	1	1
14	P03849	1	1
15	P61214ASS16	1	1
16	P6561ASS16	1	1
17	P6562ASS16	1	1
18	P61210ASS16	8	8
19	P6563ASS16	1	1
20	P00578	1	1
21	P6916ASS16	2	0
22	P6124ASS16	2	0
23	P6028FRASS16	2	2
24	P61322ASS16	1	0
	P61318ASS16	1	0
25	P03829	1	1

Montage (Vous aurez besoin d'un tournevis.)

1. Enlevez tous les composants de l'emballage et contrôlez que rien ne soit endommagé. Si l'appareil est endommagé, avertissez immédiatement le revendeur chez lequel vous avez acheté l'appareil.

2. Le filtre à sable doit être placé sur un sol solide et à niveau, de préférence une dalle en béton. Placez le filtre à sable pour que les orifices et la



soupape de réglage soient accessibles pour le fonctionnement, l'entretien et l'hivernage.

3. Le standard TEST EN60335-2-41 demande que le filtre à sable soit fixé en verticale sur le sol ou sur un support en bois ou en béton avant de l'utiliser, afin d'éviter qu'il ne tombe accidentellement. Le filtre à sable complètement monté dépasse les 18 kg. Les trous de montage doivent avoir 8 mm de diamètre et être espacés de 86 mm. Utilisez deux écrous avec un diamètre maximal de 8 mm pour fixer le filtre à sable sur le support.

Remplissez de sable de filtration de qualité pour piscine/polysphères Flowclear™.

REMARQUE : Utilisez uniquement du sable pour filtre de piscine, sans calcaire ou argile : #20 sable siliceux 0,45-0,85 mm, un sac de 45 kg environ devrait suffire. Si vous n'utilisez pas la taille recommandée de sable de filtration, les performances de filtration seront réduites et le filtre à sable peut être endommagé, annulant ainsi la garantie.

IMPORTANT : Nous vous recommandons d'utiliser du sable de silice (#20) avec votre filtre à sable pour piscine. Il est spécialement traité pour capturer les particules comprises entre 20 et 100 microns. Certains petits débris peuvent passer à travers le sable et retourner dans la piscine. Il s'agit d'un phénomène normal surtout si les débris sont fins ou ressemblent à du limon.

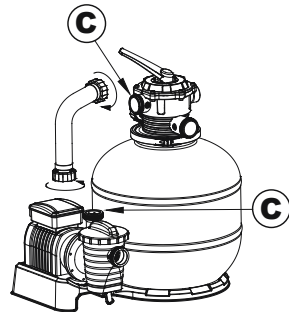
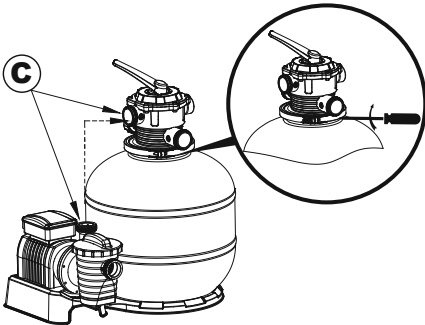
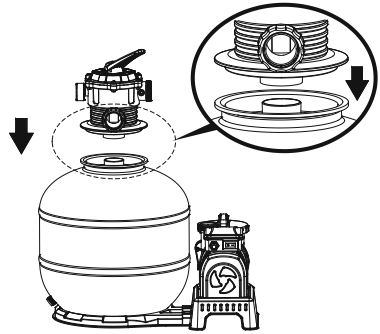
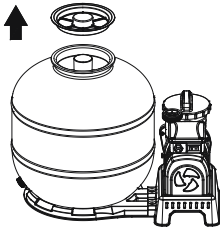
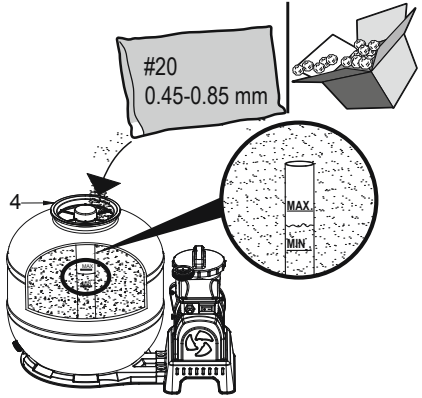
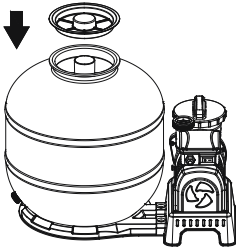
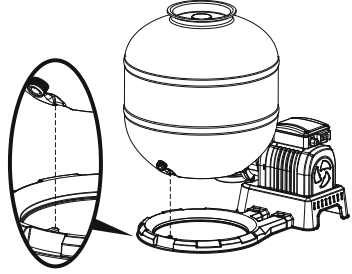
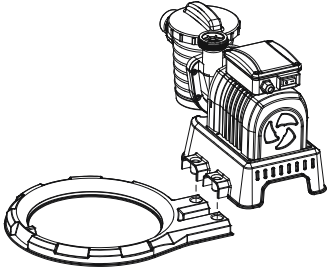
Pour le limiter, il est recommandé de suivre les instructions de maintenance, et de procéder au lavage à contre-courant et au rinçage si nécessaire. Nous vous recommandons également de contacter votre concessionnaire de piscines pour qu'il vous conseille le produit chimique conçu spécialement pour nettoyer le sable. Un entretien correct du sable optimisera l'efficacité de nettoyage et évitera l'accumulation d'huiles ou de tartre. Si vous aspirez le fond de la piscine qui présente une quantité de débris, nous vous recommandons de laver le sable à contre-courant lorsque vous avez terminé de laver la moitié de la piscine.

N'oubliez pas de laver à contre-courant et de rincer le sable à chaque fois que vous avez fini d'aspirer le fond de la piscine.

REMARQUE : Pour éviter d'endommager le dépollueur quand on ajoute le sable, versez un peu d'eau dans le réservoir pour immerger le dépollueur dans le collet de raccord.

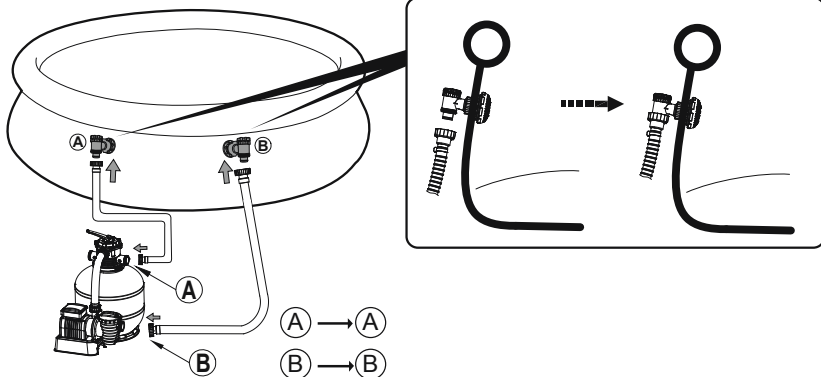
REMARQUE : le sable/les polysphères Flowclear™ ne sont pas inclus.

REMARQUE : utilisez 28 g (0,06 lbs) de polysphères Flowclear™ pour remplacer 1 kg (2,20 lbs) de sable.

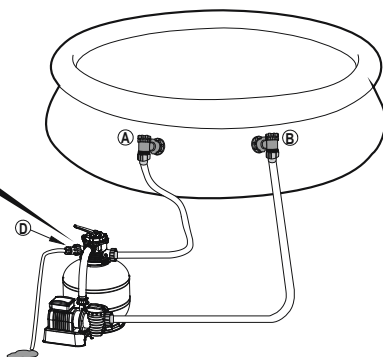
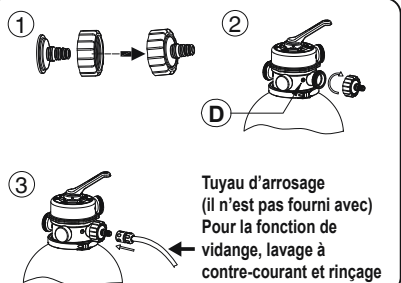


Raccordez à la piscine

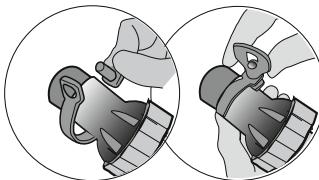
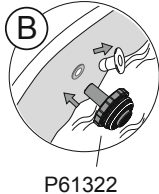
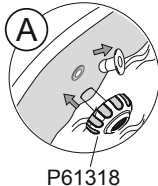
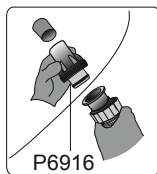
1



2



Pour piscine avec vanne de 32 mm (1,25 po).

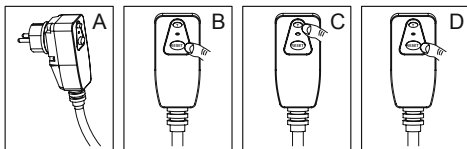


STOP

Avant d'allumer, veuillez lire attentivement la notice.

RCD Test

A. Introduire la fiche dans la prise de courant.



B. Appuyer sur la touche

“RESET”. Le témoin lumineux doit passer au rouge.

REMARQUE : Si le voyant ne s’allume pas, le test a échoué.

C. Appuyer sur le bouton “T” et l’indicateur s’éteint.

REMARQUE : Si le voyant ne s’éteint pas, le test a échoué.

D. Appuyer sur la touche “RESET”, lorsque le témoin lumineux passe de nouveau au rouge.

E. Débranchez la pompe, et la pompe est prête à l’emploi.

ATTENTION : DANGER D’ÉLECTROCUTION. La prise DDR doit être testée avant chaque usage.

ATTENTION : N’utilisez pas la pompe si ce test s’est soldé par un échec. Veuillez contacter le service après-vente Bestway le plus proche.

ATTENTION : Enfillez la prise DDR dans un dispositif différentiel à courant résiduel (DDR) dont le courant différentiel résiduel de fonctionnement ne dépasse pas 30 mA.

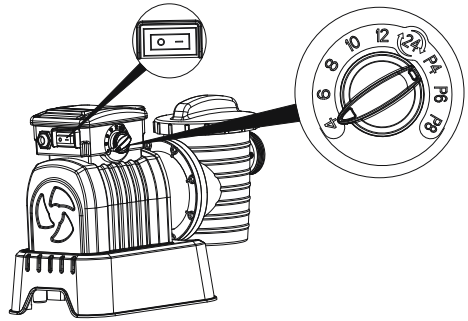
ATTENTION : Avant de brancher la fiche dans la prise de courant, vérifiez que l’intensité du courant dans la prise soit adaptée à la pompe.

FONCTIONNEMENT

Minuterie

1. Branchez sur la source de courant, réglez l’interrupteur sur la position “ON” (-). Le filtre à sable commence à fonctionner immédiatement.
2. Réglez l’interrupteur sur la position “OFF” (0). Le filtre à sable cesse de fonctionner immédiatement.
3. Après l’avoir allumé, vous pouvez régler la durée de fonctionnement, le temps de repos et la durée du cycle en tournant le bouton sur la position souhaitée. Consultez le tableau ci-dessous pour de plus amples détails.

4. Quand le bouton de la minuterie bascule sur une nouvelle position, le cycle précédent du filtre s'efface automatiquement afin que le nouveau cycle puisse commencer.



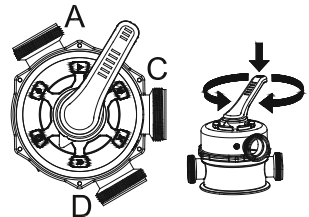
5. Chaque fois qu'on allume ou redémarre le filtre, un nouveau cycle basé sur la position du bouton commence.

REMARQUE : si le bouton est réglé sur la position 24 heures (24), le filtre à sable fonctionnera continuellement sans aucune période de repos.

Position du bouton	Durée de fonctionnement (H)	Temps de repos (H)	Durée du cycle (H)
4	4	20	24
6	6	18	24
8	8	16	24
10	10	14	24
12	12	12	24
24	24	0	24
P4	4	4	8
P6	6	6	12
P8	8	8	16

VUE D'ENSEMBLE DE LA SOUPAPE DE RÉGLAGE

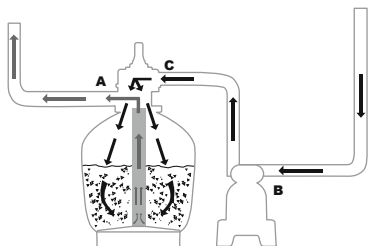
ATTENTION : Pour éviter des dommages à l'appareil et de possibles blessures, débranchez chaque fois la pompe du filtre à sable avant de changer la fonction de la soupape de réglage. Le changement de position de la soupape quand la pompe est en marche peut endommager la soupape de réglage, ce qui peut provoquer des blessures ou des dommages à l'appareil.



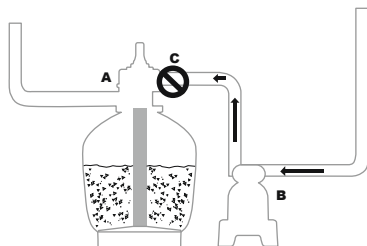
Comment utiliser la soupape de réglage

Appuyez sur la poignée de la soupape de réglage et tournez-la sur la fonction souhaitée.

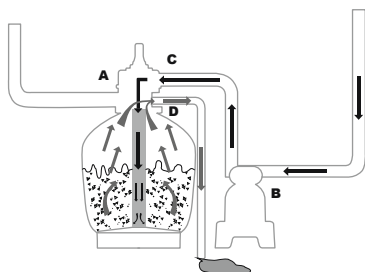
Filtration : Cette fonction est utilisée pour filtrer l'eau et de la piscine et la soupape est sur ce réglage 99% des fois. L'eau est pompée à travers le filtre à sable où elle est nettoyée et puis renvoyée dans la piscine.



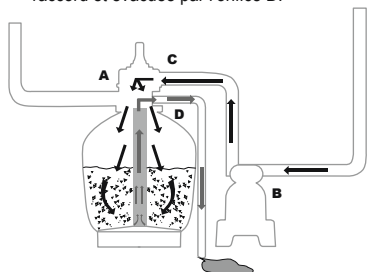
Fermeture : Cette fonction arrête le passage de l'eau entre le filtre à sable et la piscine.



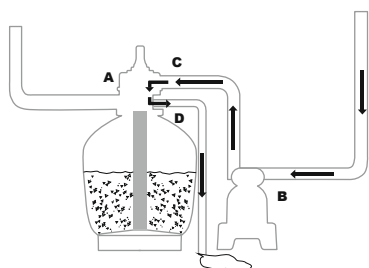
Lavage à contre-courant : Cette fonction est utilisée pour nettoyer la couche de sable ; l'eau est aspirée à travers le collet de raccord, pompée à travers la couche de sable et évacuée par l'orifice D.



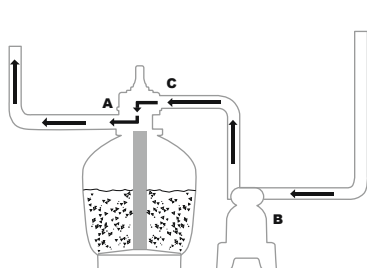
Rinçage : Cette fonction est utilisée pour la mise en marche initiale, le nettoyage et la mise à niveau de la couche de sable après le lavage à contre-courant ; l'eau est aspirée à travers la couche de sable, pompée à travers le collet de raccord et évacuée par l'orifice D.



Drainage : Cette fonction draine l'eau provenant de la piscine ; c'est un autre réglage de by-pass du filtre, l'eau est pompée et déposée en dehors de l'orifice D, au lieu de retourner dans la piscine.



Circulation : Cette fonction fait circuler l'eau de la piscine en by-passant le filtre à sable ; utilisez cette fonction si le filtre est cassé pour recueillir les débris dans la grille de protection.



REMARQUE :

- Contrôlez que toutes les dispositions d'évacuation des eaux usées suivent les réglementations locales ou nationales. N'éliminez pas l'eau là où elle pourrait provoquer une inondation ou des dégâts.

- Quand la soupape de réglage est réglée sur la position Lavage à contre-courant, Rinçage ou Drainage, l'eau est évacuée par l'orifice D de la soupape de réglage.
- Ne branchez pas ou ne faites pas fonctionner le filtre à sable avec la soupape de réglage en position Fermeture car cela pourrait endommager le filtre à sable.
- Ne réglez pas la soupape de réglage entre deux fonctions car elle commencera à fuir.
- Pour éviter les fuites d'eau, vissez le capuchon de l'orifice D sur l'orifice D de la vanne de commande avant de faire fonctionner le filtre ou d'utiliser la fonction de circulation.

Évacuation de l'air

Appuyez sur la poignée de la vanne de commande et attendez que l'eau s'écoule par l'orifice D pour évacuer l'air.

REMARQUE : il est fondamental de répéter cette opération à chaque fois que vous démarrez la pompe après l'hivernage, l'entretien et le lavage à contre-courant du lit de sable.



INSTRUCTIONS POUR LA PREMIÈRE UTILISATION

Il faut effectuer le lavage à contre-courant et le rinçage pour préparer la pompe à sa première utilisation et pour laver le sable.

ATTENTION : NE FAITES PAS FONCTIONNER LE FILTRE À SABLE À SEC

1. Appuyez sur la poignée de la vanne de commande et tournez-la jusqu'à la fonction de lavage à contre-courant.
2. Branchez et faites fonctionner le filtre à sable pendant 3 à 5 minutes ou jusqu'à ce que l'eau soit claire.
3. Éteignez le filtre à sable et réglez la vanne de commande sur la fonction de rinçage.
4. Allumez le filtre à sable et faites-le fonctionner pendant 1 min. Cela fait repasser l'eau à travers le filtre à sable et vidange l'eau par l'orifice D.
5. Éteignez le filtre à sable. Réglez la vanne de commande sur la fonction Fermé.
6. Ajoutez de l'eau dans la piscine si cela s'avère nécessaire.

IMPORTANT : cette procédure enlève l'eau de la piscine, il faut donc que vous la remplaciez.

Éteignez le filtre à sable immédiatement si le niveau de l'eau descend près des vannes d'entrée et de sortie de la piscine.

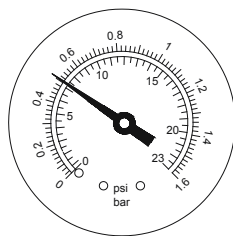
1. Le filtre à sable est prêt pour l'utilisation. Réglez la soupape de réglage sur la fonction Filtration.

REMARQUE : Pour éviter les risques d'électrocution, séchez l'eau sur vous-même et sur le filtre à sable.

IMPORTANT : Avant l'utilisation, assurez-vous que le réservoir est placé debout sur sa base et qu'il est branché correctement sur la pompe.

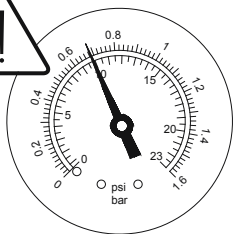
2. Allumez le filtre à sable pour le faire fonctionner.

REMARQUE : Le filtre à sable commence son cycle de filtration. Contrôlez que l'eau retourne dans la piscine et prenez note de la pression sur le manomètre. Généralement, la pression recommandée du filtre à sable est inférieure à 0.56 Bar (8.0 PSI) pendant le fonctionnement.



Entretien du filtre à sable

ATTENTION : vous devez vérifier que le filtre à sable est coupé et débranché avant de commencer l'entretien car il existe un risque de blessure grave voire mortelle. Au fur et à mesure que la saleté s'accumule à l'intérieur du filtre à sable, la pression augmente sur le manomètre. Quand le manomètre indique 0,62 Bar (9,0 PSI) ou plus, ou que le débit d'eau s'écoulant dans la piscine est trop faible, il est temps de nettoyer le sable. Pour nettoyer le lit de sable, suivez toutes les instructions indiquées précédemment dans le chapitre : **Contre-courant et Rinçage.**



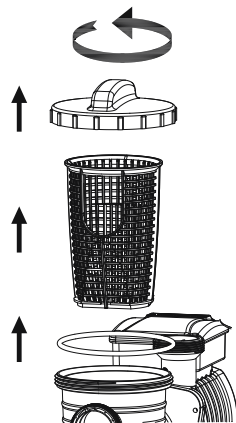
REMARQUE :

1. Le manomètre n'est prévu que pour la maintenance et la valeur du manomètre sert uniquement de référence, il ne faut pas l'utiliser comme instrument de précision.
2. Nous vous conseillons de nettoyer le lit de sable une fois par mois ou moins souvent en fonction de la fréquence d'utilisation de la piscine. Ne nettoyez pas trop souvent le sable.

Nettoyage du tamis

1. Débranchez le filtre à sable et réglez la soupape de réglage sur la fonction Fermée.
2. Remplacez les grilles par des bouchons d'obturation pour éviter que l'eau s'échappe.
3. Enlevez le couvercle du tamis en le dévissant.
4. Retirez le tamis et éliminez tous les déchets.
5. Remettez le tamis en place.
Assurez-vous que le tamis soit aligné.
6. Assurez-vous que la bague d'étanchéité soit en place. Vissez le couvercle du tamis.
7. Enlevez les bouchons d'obturation et insérez les grilles.

REMARQUE : Le tamis doit être vidé et nettoyé périodiquement. Un tamis sale ou obstrué réduit les performances du filtre à sable.



Diminution ou drainage de l'eau de la piscine

1. Débranchez le filtre à sable et réglez la soupape de réglage sur la fonction Drainage.
2. Débranchez le flexible de l'entrée A de la piscine et de l'orifice A du filtre à sable, et branchez-le à l'orifice D.
3. Allumez le filtre à sable et appuyez sur le bouton "RESET" pour faire fonctionner le filtre et évacuer l'eau de la piscine.

ATTENTION : NE FAITES PAS FONCTIONNER A SEC LE FILTRE A SABLE

Remisage et rangement de longue durée

Dans les zones où les températures hivernales sont très basses, les équipements de la piscine doivent être préparés pour l'hiver afin de les protéger contre des dommages. Laisser geler l'eau endommage le filtre à sable et annule la garantie.

1. Lavez à contre-courant le filtre à sable.
2. Videz la piscine en suivant le manuel de la piscine.
3. Ouvrez l'écrou d'évacuation au bas du réservoir et faites écouler l'eau restante.
4. Débranchez les deux tuyaux de la piscine et du filtre à sable.
5. Retirez complètement le sable du réservoir et séchez tous les composants.
6. Retirez le filtre à sable de la zone de la piscine, stockez le filtre à sable dans un endroit sec en intérieur hors de la porté d'enfant.

DÉPANNAGE		
Problèmes	Éventuelles causes	Solutions
Le sable s'écoule dans la piscine	<ul style="list-style-type: none"> - Le sable est trop petit - Déplacez la vanne de commande de la fonction contre-courant à celle de filtration sans arrêter le filtre à sable - Le niveau du sable est trop élevé - Le skimmer était cassé 	<ul style="list-style-type: none"> - Sable de silice n° 20 de 0,45 à 0,85 mm recommandé - Arrêtez le filtre à sable chaque fois que vous réglez la vanne de commande - Vérifiez si le niveau du sable se trouve entre les indications "MAX" et " MIN" sur l'emboîtement - Remplacez le skimmer
L'eau ne s'écoule pas	<ul style="list-style-type: none"> - Les bouchons d'obturation n'ont pas été enlevés - L'air n'a pas été libéré - La vanne de commande a été réglée sur Fermée - La crépine était bloquée - Le filtre à sable est cassé 	<ul style="list-style-type: none"> - Enlevez les bouchons d'obturation et insérez les grilles - Libérez l'air - Réglez sur la fonction de filtration - Nettoyez la crépine - Appelez le service d'assistance
Pression excessive du filtre	<ul style="list-style-type: none"> - Filtre sale - Lit de sable calcifié - Contre-courant insuffisant - Le manomètre était cassé 	<ul style="list-style-type: none"> - Contre-courant - Inspectez le sable et changez-le si cela s'avère nécessaire - Contre-courant jusqu'à ce que l'effluent soit propre - Remplacez le manomètre
La vanne de commande fuit au niveau de l'orifice D	<ul style="list-style-type: none"> - La vanne de commande a été réglée entre deux fonctions - Le joint était cassé 	<ul style="list-style-type: none"> - Réglez sur une fonction - Remplacez le joint
Fuites au niveau des raccords	<ul style="list-style-type: none"> - La rondelle des raccords n'est pas à sa place - La rondelle des raccords est cassée - Tuyaux desserrés 	<ul style="list-style-type: none"> - Repositionnez la rondelle - Remplacez la rondelle - Serrez-les



For support please visit us at:
bestwaycorp.com/support

©2020 Bestway Inflatables & Material Corp.

All rights reserved/Tous droits réservés/Todos los derechos reservados/Alle Rechte vorbehalten/Tutti i diritti riservati

®™ Trademarks used in some countries under license to/

Marques ®™ utilisées dans certains pays sous la licence de/

Marcas comerciales ®™ utilizadas en algunos países bajo la licencia de/

®™ Die Warenzeichen werden in einigen Ländern verwendet unter Lizenz der/

®™ Marchi utilizzati in alcuni paesi concessi in licenza a

Bestway Inflatables & Material Corp., No.3065 Cao An Road, Shanghai, 201812, China.

Manufactured, distributed and represented in the European Union by/

Fabriqués, distribués et représentés dans l'Union Européenne par/Fabricado, distribuido y representado en la Unión Europea por/

Hergestellt, vertrieben und in der Europäischen Union vertreten von/Prodotto, distribuito e rappresentato nell'Unione Europea da

Bestway (Europe) S.r.l., Via Resistenza, 5, 20098 San Giuliano Milanese (Milano), Italy

Distributed in North America by/Distribués en Amérique du Nord par/Distribuido en Norteamérica por

Bestway (USA) Inc., 3411 E. Harbour Drive, Phoenix, Arizona 85034, United States of America

Tel: +86 21 69135588 (For U.S. and Canada)

Distributed in Latin America by/Distribué en Amérique latine par/Distribuido en Latinoamérica por/Distribuido en América Latina por

Bestway Central & South America Ltda, Salar Ascotan 1282, Parque Enea, Pudahuel, Santiago, Chile

Distributed in Australia & New Zealand by **Bestway Australia Pty Ltd, Unit 2/98-104 Carnarvon St Silverwater, NSW 2128, Australia**

Tel: Australia: (+61) 29 0371 388; New Zealand: 0800 142 101

Exported by/Exporté par/Exportado por/Exportiert von/Esportato da

Bestway (Hong Kong) International Ltd./Bestway Enterprise Company Limited

Suite 713, 7/Floor, East Wing, Tsim Sha Tsui Centre, 66 Mody Road, Kowloon, Hong Kong

www.bestwaycorp.com