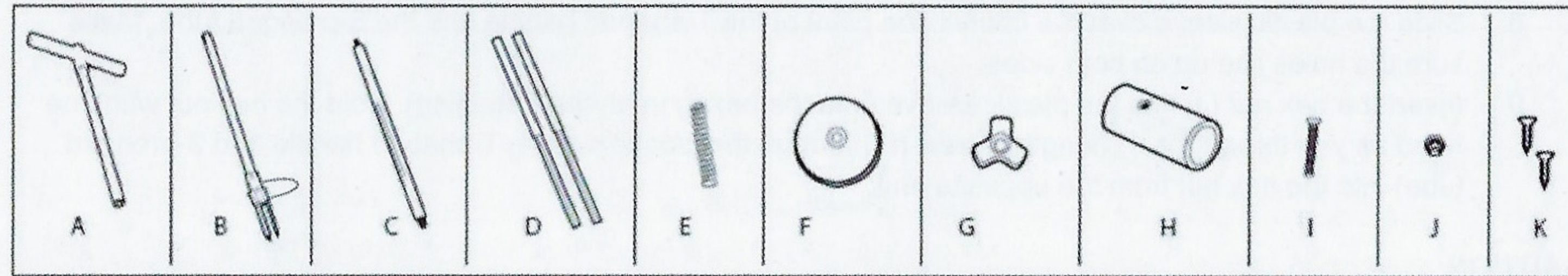


[UK] WEED REMOVER Item: 871125212237

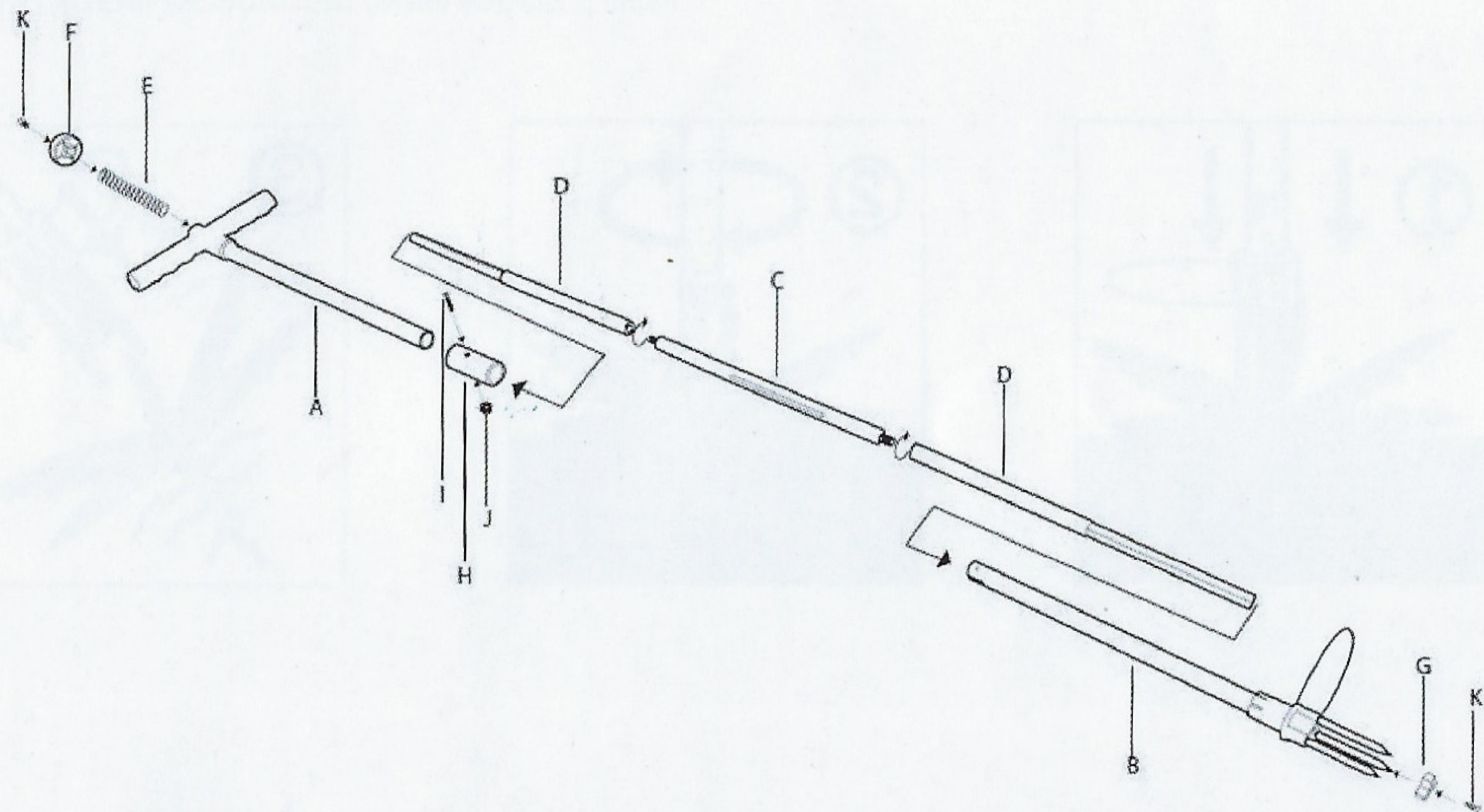
PARTS: (Phillips screwdriver required for assembly.)



- A: T-shaped handle
- B: 3-pronged tube
- C: Slotted ejector tube
- D: X2 ejector tubes
- E: Spring
- F: Rounded cap

- G: Ejector cap
- H: Plastic sleeve
- I: 1" (length) screw
- J: Hex nut
- K: (x2) 3/4" (length) screws

ASSEMBLY INSTRUCTIONS: (Reference illustration below.)



1. Thread an ejector tube (D) into each end of the slotted ejector tube (C). Make sure the arrows embossed on the ends line up with each other.
2. The slotted ejector tube (C) has letters embossed on each end (A & B). Insert the ejector tubes into the T-shaped handle (A) with the letter B going in first. Make sure the slot on the slotted ejector tube (C) is facing in the same direction as the screw holes on the end of the T-shaped handle tube.
3. Slide the spring (E) over the top part of the ejector tube (T-shaped handle end).
4. Slide the rounded cap (F) over the top part of the ejector tube. Secure the rounded cap by threading a 3/4" (length) screw (K) through the centre of the rounded cap into the ejector tube.
5. Slide the plastic sleeve (H) over the ejector tube (opposite end to the rounded cap) onto the T-shaped handle. Make sure the end with the wider slots (inside sleeve) is inserted first.
6. Slide the 3-pronged tube (B) over the ejector tube and the connection point of the T-shaped handle. Make sure the slots (opposite end to prongs) on the 3-pronged tube line up with the compressed tubing sides on

the connection point of the T-shaped handle. You may need to push firmly to ensure all four holes line up (2 in front and 2 behind).

7. Place the ejector cap (G) with the flat surface facing outward over the ejector tube (between the prongs) and secure it by threading in a 3/4" (length) screw (K) through the ejector cap into the ejector tube.
8. Slide the plastic sleeve over the connection point of the T-shaped handle and the 3-pronged tube. Make sure the holes line up on both sides.
9. Insert the hex nut (J) into the plastic sleeve (into the hexagon-shaped opening). Hold the hex nut with one hand as you thread the 1" (length) screw (I) (through the plastic sleeve, T-shaped handle and 3-pronged tube) into the hex nut from the opposite end.

CAUTION:

- **THIS ITEM IS NOT A TOY; KEEP IT AWAY FROM CHILDREN.**
- **EXERCISE CARE TO PREVENT INJURY WHEN USING THE NO-BEND WEED REMOVER. USE FOR REMOVING WEEDS ONLY.**
- **DO NOT USE THE ITEM TO LOOSEN DIRT.**

INSTRUCTIONS FOR USE:

For best results, wet the soil before using the No-Bend Weed Remover.

