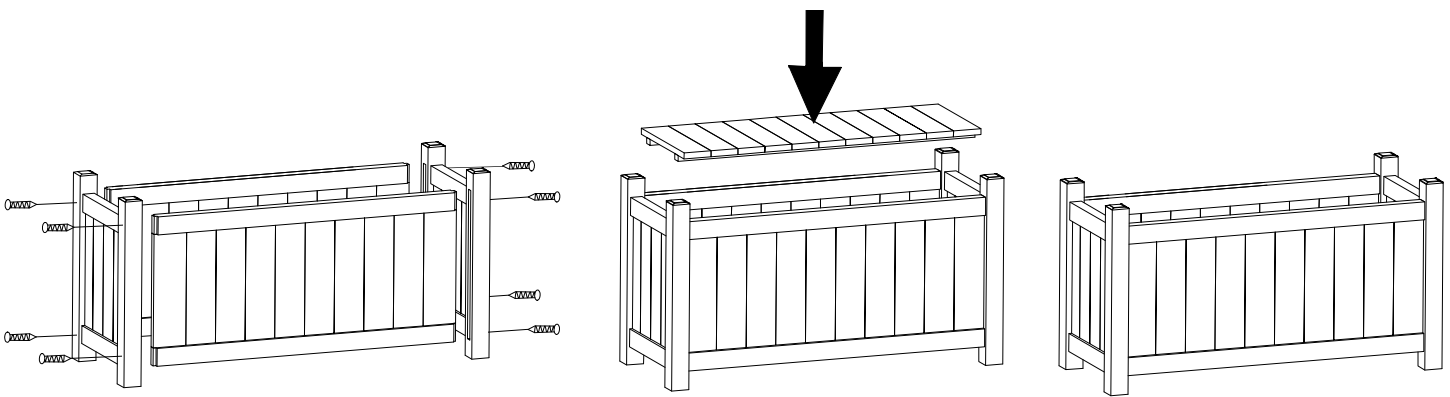


gO EASY

WOODEN PLANTER

ASSEMBLY INSTRUCTIONS

Tools required: Cross headed screwdriver



Assembly:

- Offer the sides panels of the planter to the front and rear panels (as shown) and align the upper edges.
- Insert the screws (provided) into the predrilled holes and secure.
- Position the base into the bottom of the planter.

Care and maintenance:

To prolong the life of your planter

- Line the inside with polythene but ensure that a few holes are made in the polythene for drainage.
- Preserve the wood using a proprietary timber treatment, following directions on the can after first checking that it is not harmful to plants.

Item ID: JL11005



The Magic Toy Shop Ltd, Unit 6, TN8 5EA, UK

www.ukbuyzone.co.uk