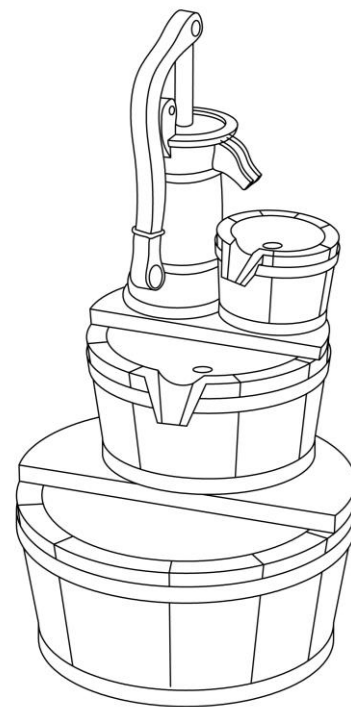
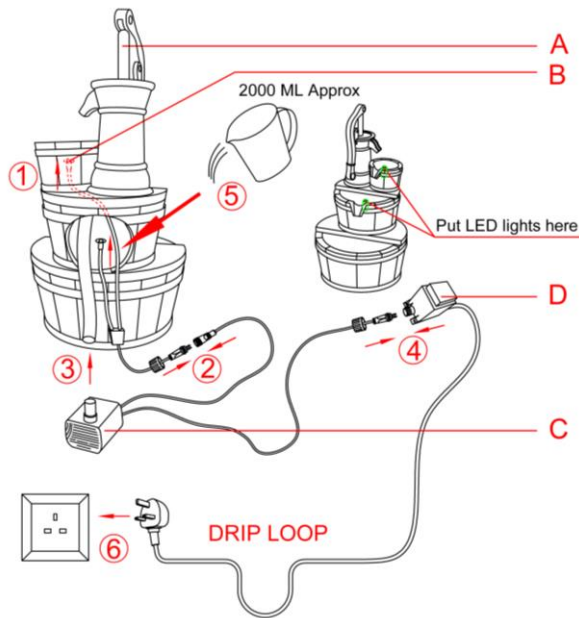


GEEZY®

Assembly Instructions for the Water fountain w/ LED Light Item: SS3170150

- Take the fountain out of the box.
- Take the LED light and place it in the holes on the fountain (Step 1)
- Plug the LED light into the adapter that is connected to the pump (Step. 2)
- Connect the pump to the tubing in the fountain (Step 3)
- Connect the adaptor to the pump cable. (Step 4)
- Put water (2000ML approx.) in the basin of the fountain (about ½ way full) take all cords and pump and place it in the water, be sure to make sure there is enough water in the bottom of the fountain so that the pump will be completely submersed. (Step 5)
- Plug the pump in and enjoy. (Step 6)



Part	Description	Quantity	Part	Description	Quantity
A	Fountain	1 pc	C	Water pump	1 pc
B	LED light	1 pc	D	Adaptor	1 pc



NOTE: Allow the pump power cord to hang at a lower level than the wall outlet to form a “drip loop”. This will help prevent water from dripping down the power cord and getting into the wall outlet. Be careful not to spill water onto the plug of the pump. DO NOT allow the pump to run dry!

WASTE BATTERIES AND ELECTRICAL PRODUCTS SHOULD NOT BE DISPOSED OF WITH HOUSEHOLD WASTE. PLS RECYCLE WHERE FACILITIES EXIST. CHECK WITH YOU LOCAL AUTHORITY OR RETAILER FOR RECYCLING ADVICE.



MADE IN CHINA