

Innovation goes Portable



Artemide®

Bontà
Gople portable/plug
Come together
Curiosity

Innovation goes Portable



Artemide portable collection share the technological core while interpreting light's freedom with different performances and materials. The portable collection is dedicated to different situations and it allows new possibilities to create light scenarios in all the private or public realms.



Bontà

Davide Oldani & Attila Veress

↪ 2020

A portable lamp explores the connection between light, food and conviviality.

It's a portable lamp that interacts with objects on the table.

A body made from white textured milk glass, diffuses the light, creating a relaxed atmosphere, while the upper recess is home to a glass bowl designed to hold food for sharing.

This can be combined or alternated with a taller bowl and wider one – almost a plate – at the top.

The bowls – and the lamp itself – are made from hand-worked glass, making them unique pieces whose texture, transparency and colour generate a special dialogue between light and food, blurring the boundaries between them.

Maximum attention to detail has been shown in order to do justice to the object itself and the other elements with which it interacts.

Light plays a key role in creating the perfect atmosphere, interacting with other elements on the table and promoting sharing and conviviality



“Simplicity is at the heart of my philosophy when it comes to setting a table. This lamp is not a decorative element. Instead, it reveals its multiple functions through use: it creates an atmosphere, supports and enhances food and can be combined with various types of plates.”

Davide Oldani





↗ Venetian Blown Glass

The special processing of Bontà glass, handmade in the Artemide glassworks, makes each lamp a unique piece.

It is the result of a reinterpretation of the traditional Venetian "balloton" technique. With a double processing, small square-based pyramids are first impressed into the hot glass and in a second phase the final shape is given to the piece.

Hand blowing transforms the three-dimensional pattern into a texture of different transparencies that, thanks to the light, comes to life.





↗ Variety

→ 1 Wooden base

→ 1 White Light diffuser

○ White

→ 2 Plates sizes

○ Bowl - Ø 18cm

○ Plates - Ø 26cm

→ 4 Plates colours

● Grey

● Red

● Topaz

● Turquoise



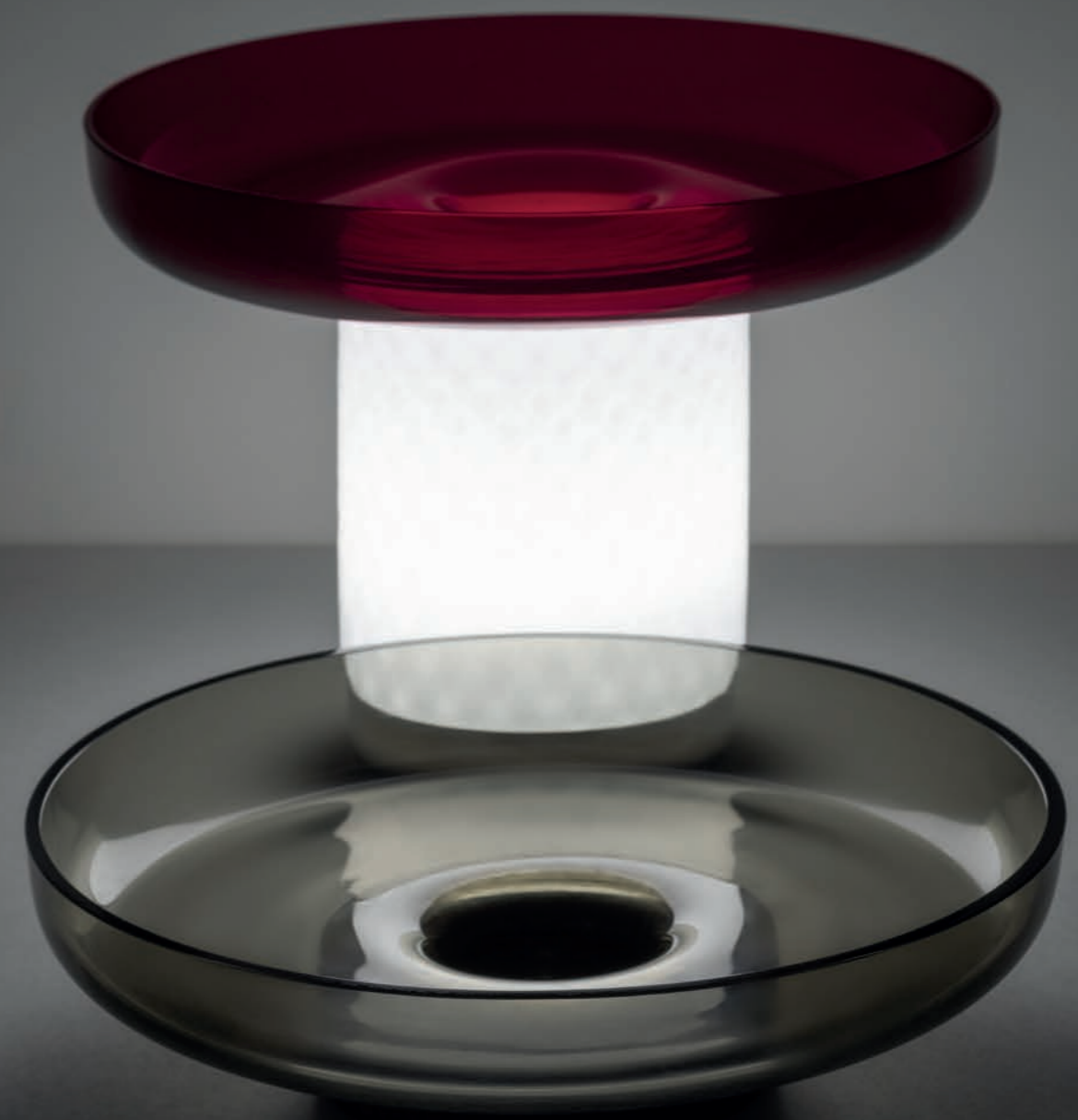
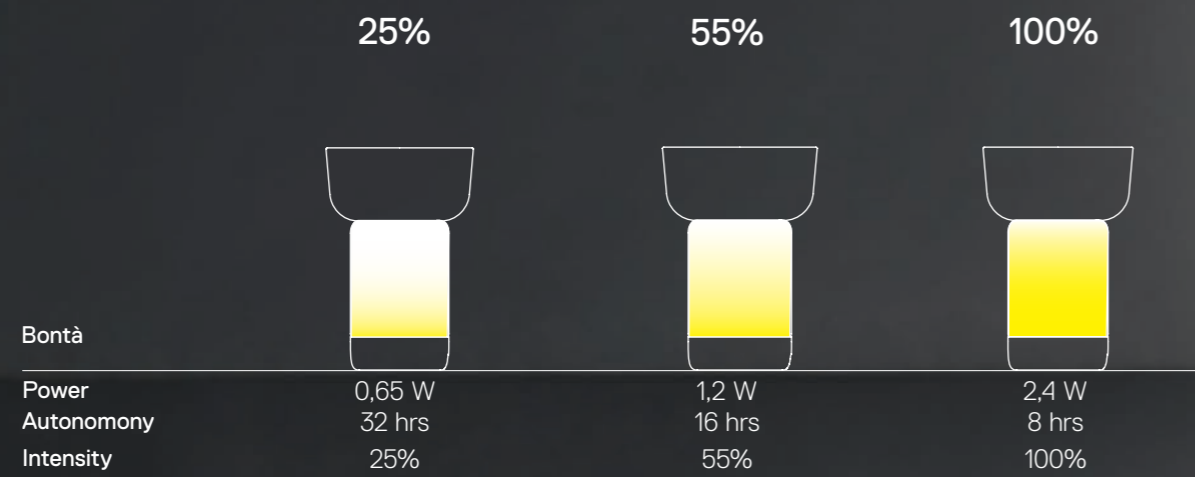
“It reveals its secrets when you bring it to the table – you see the magic of this lamp when it combines with food.”

Davide Oldani



↗ Light Technology

- USB-C Port
- 3 Intensity levels
- up to 32 hours autonomy
- up to 2,4 W
- 3 hours fast charge





Gople Portable

BIG - Bjarke Ingles Group

↪ 2020

The Gople family keeps growing, with new versions dedicated to different lighting design languages.

It also becomes a portable lamp that offers an impressive 32-hours of running time without mains electricity. Thus, everyone can be the architect of light in their own space, wherever it may be.

Gople's characteristic diffuser is made of plastic in order to withstand use across a wide spectrum of spaces and situations.

Every element is designed to guarantee excellent light quality with high efficiency and low energy consumption. Long running times unplugged go hand-in-hand with rapid recharging times.

The soft, diffused light emission can be adjusted to 3 different brightness settings to create different ambiances.

It is perfect for everyday lighting scenarios in personal spaces, but also for more social moments.

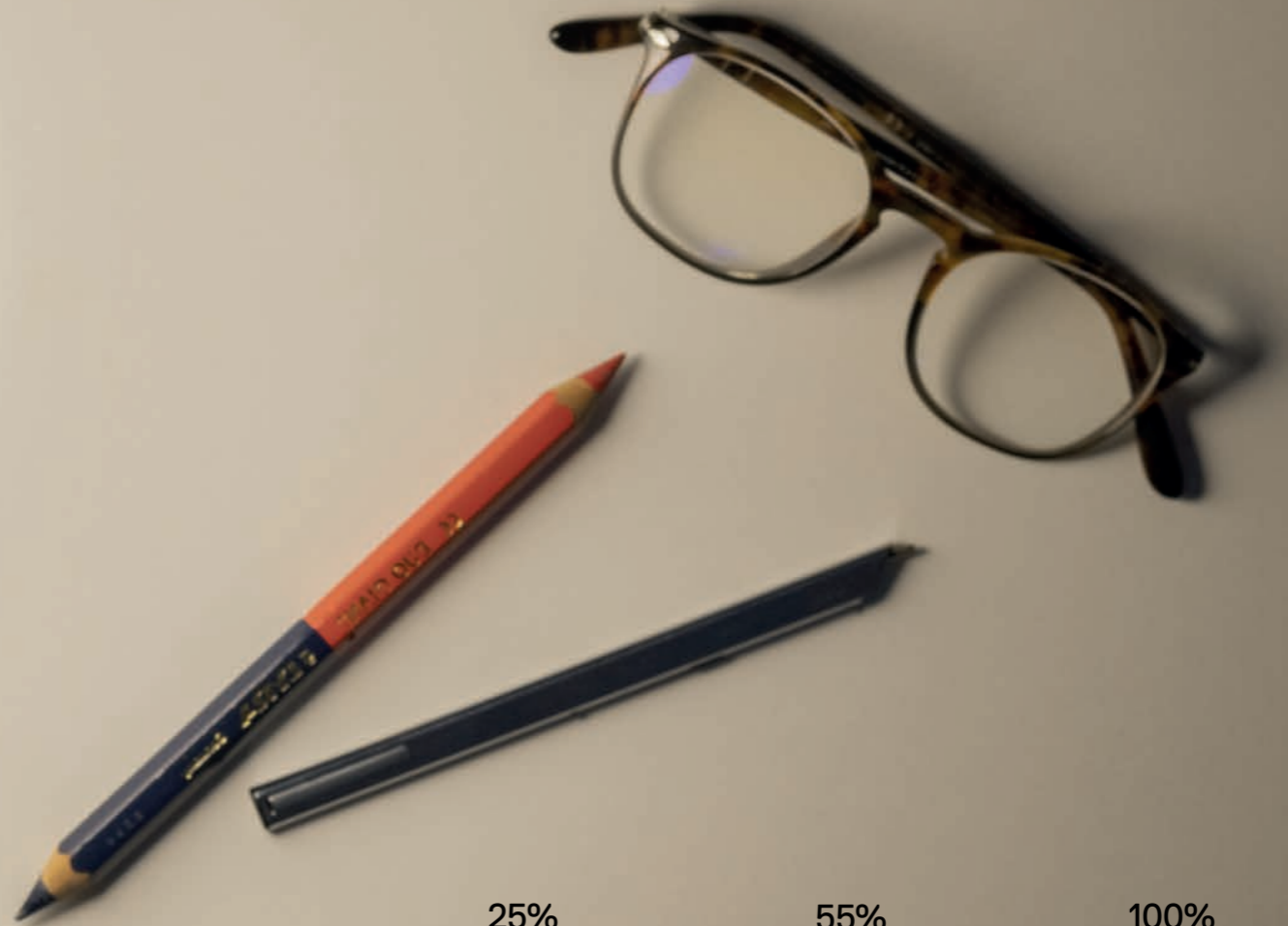
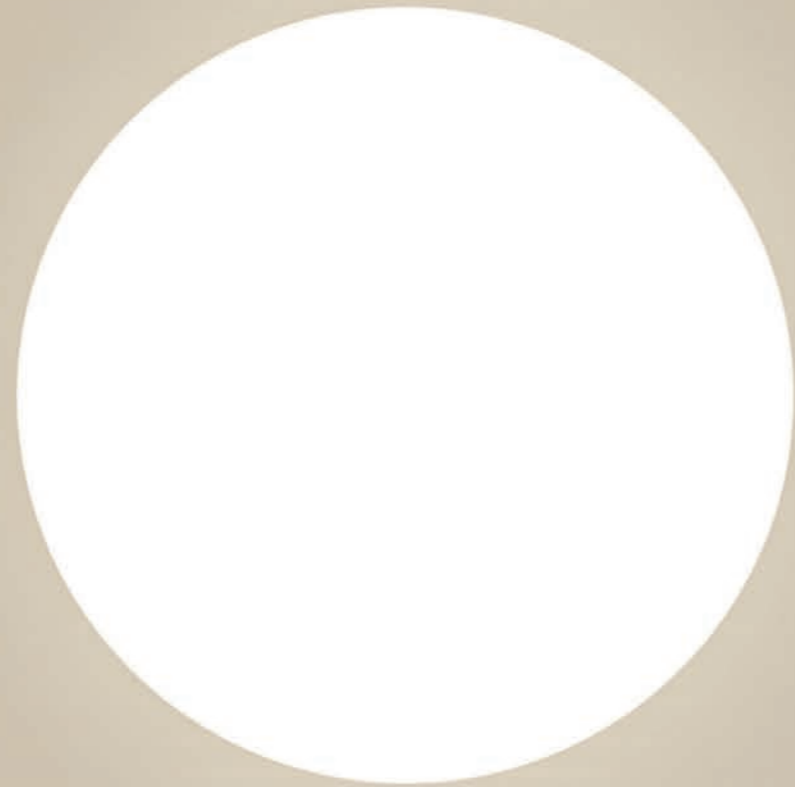


↗ Gople portable

Minimalist and simple in its elegant shape, it becomes an ideal, flexible element for lighting bars and restaurants, where it enables an unconstrained vision for lighting scenarios and ambiances that can change freely in line with organisation of spaces.

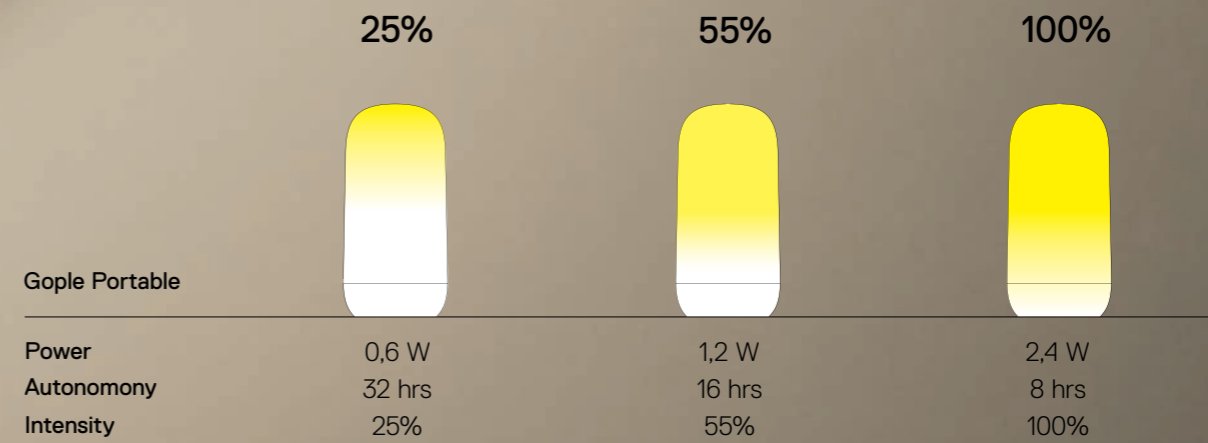






Light Technology

- USB-C Port
- 3 Intesity levels
- up to 32 hours Autonomy
- up to 2,4 W
- 3 hours fast charge





Gople is also plug





Gople portable has no protection against contact with water but its lightweight and durable design means it can accompany us outdoors too.



Come Together

Carlotta de Bevilacqua

↪ 2018

1999 Sui: "18 portable and rechargeable LEDs. It's a revolution"

2018 Come together: "A perfect light and up to 32 hours of operation without mains power. A new 2.0 revolution."

- Carlotta de Bevilacqua

"Artemide sets light free" in 1999 with Sui. Today we can all create our own light in our space, wherever it is, with high lighting performances comparable to traditionally powered lamps, as well as long-term independence from mains power.

For optical and grabbing purposes, the profile of Come together is shaped like an instrument capable to accompany man through space.

The body is a transparent optical device with gradients to carry and distribute light: it works as an "empty" light pipe for lightness and optical intelligence.



↗ Smart Portability

Come Together is lightweight (400gr) and is shaped to fit perfectly in hand to accompany man through space and provide lighting on demand in any environment, indoor or outdoor.

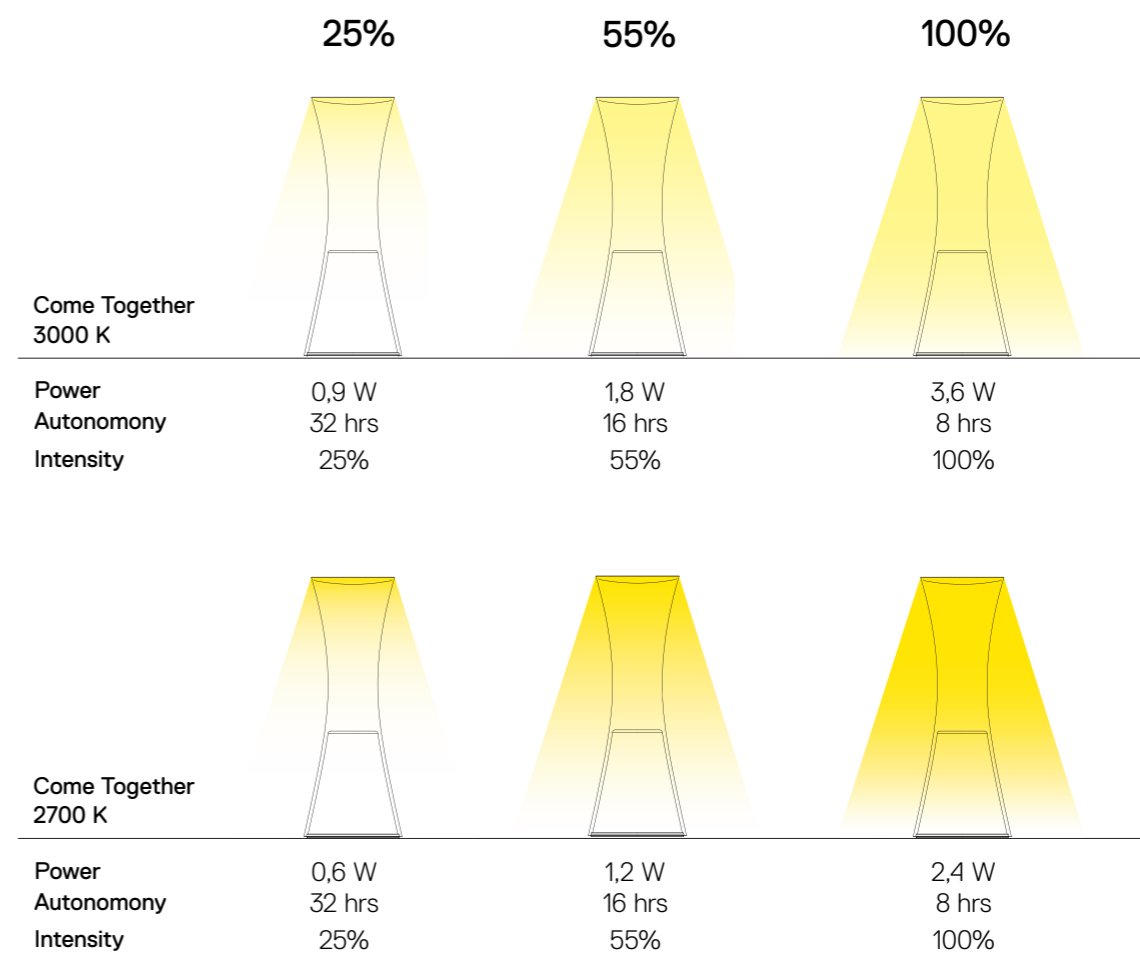






↗ Innovative Technology

- High efficiency)
- USB-C Port
- 3 Intensity levels
- up to 32 hours autonomy
- up to 2,5 W
- 3 hours fast charge
- 3 light intensities



↗ Two Light Temperatures



↗ Three Finishes

→ White



→ Aluminium



→ Copper





↗ Perfect Light



Curiosity

Davide Oppizzi

↪ 2019

Curiosity is a portable lamp whose shape reveals its natural vocation for showcasing, but at the same time for relations. It highlights spaces where people gather or the objects it can accommodate within the footprint of its base. Neutral and essential in its light structure, it becomes functional by enhancing the content.

It is a frame for displaying objects, with its base providing the element that accommodates whatever items you wish to display, illuminated by the small spotlight on the top.

Curiosity brings its illuminated space anywhere, and thanks to its long running time it allows you to reinvent everyday lightscapes.

It designs freedom dedicated to the individual, adapting to the domestic space, but above all it enables original new scenarios in public spaces.

Curiosity creates flexible and mobile displays, it is also a perfect tool for retail spaces, for exhibitions or for restaurants, where it creates an intimate and elegant atmosphere able to follow the changing organisation of spaces.



↗ Curiosity

Curiosity Focus concentrates a precise light beam on the base, putting the chosen object in the spotlight.
Curiosity Ambience offers a more diffused light emission, for softer mood lighting.

The 36 version is available also with a white glass sphere. Curiosity Sphere has a diffuse light that recreates a cosier and more intimate atmosphere.



Curiosity
Ambience



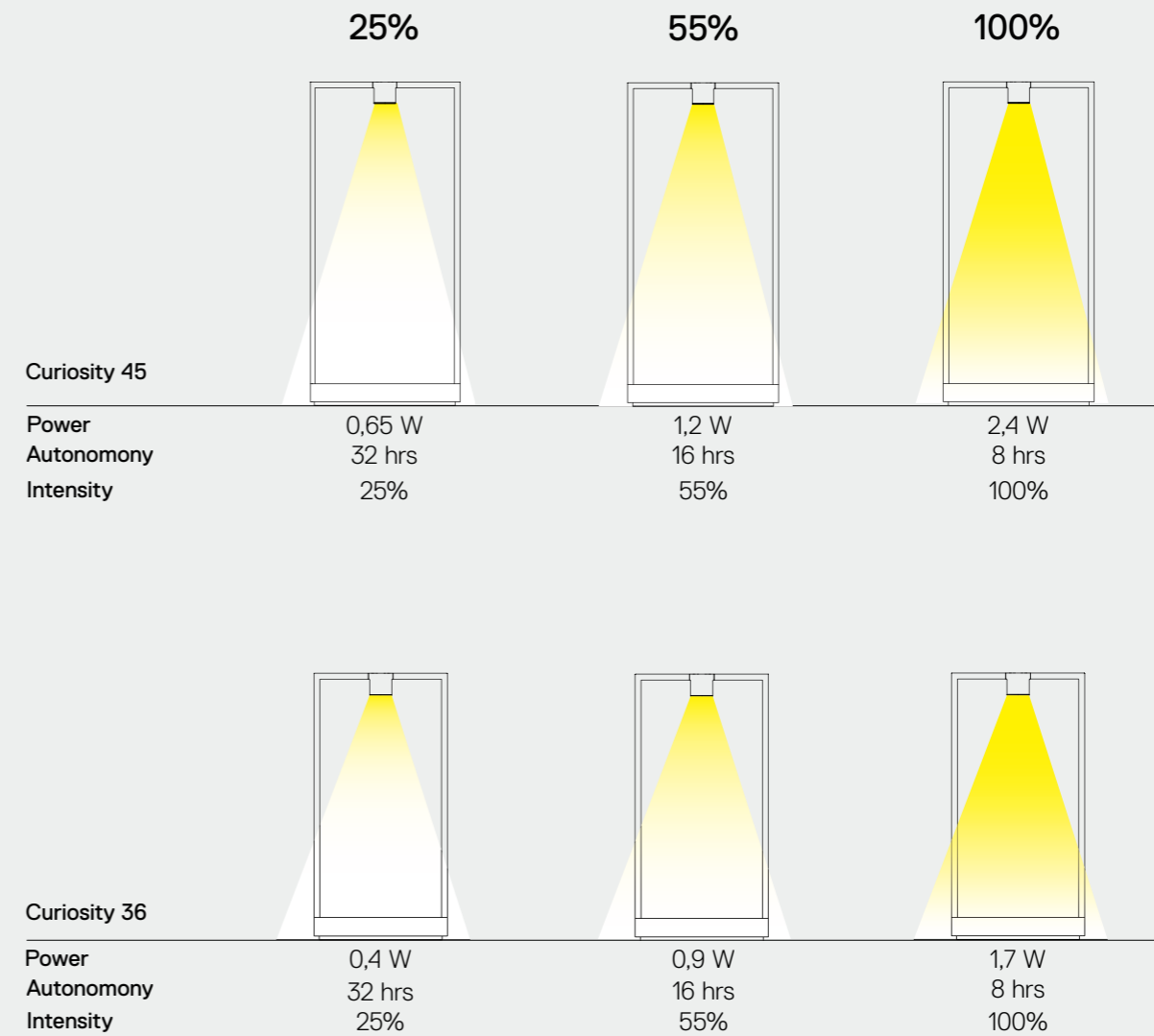
Curiosity
Focus





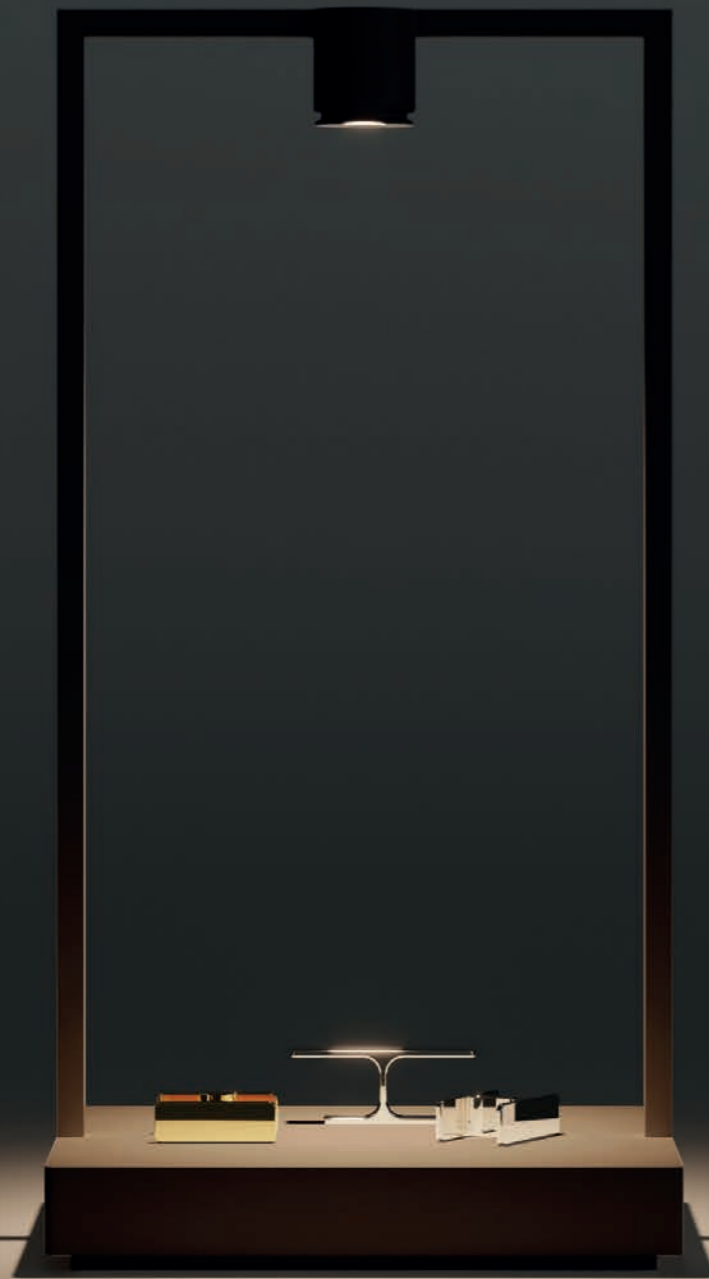
Light technology

- USB-C Port
- 3 Intensity levels
- up to 32 hours Autonomy
- up to 2,4 W
- 4 hours fast charge
- Touch dimmer



“By nature, it is intended for all sectors, both private and professional: museums, the display of private collections or of objects on restaurant tables. Thanks to its battery, it is nomadic by nature and easy to move around, finding a place anywhere in any interior living space.”

Davide Oppizzi



↗ Curiosity 36 Sphere



↗ Two Sizes

Curiosity 36: 360 mm x 180mm x 150 mm
Curiosity 45: 450mm x 210mm x 180 mm



↗ Two Finishes

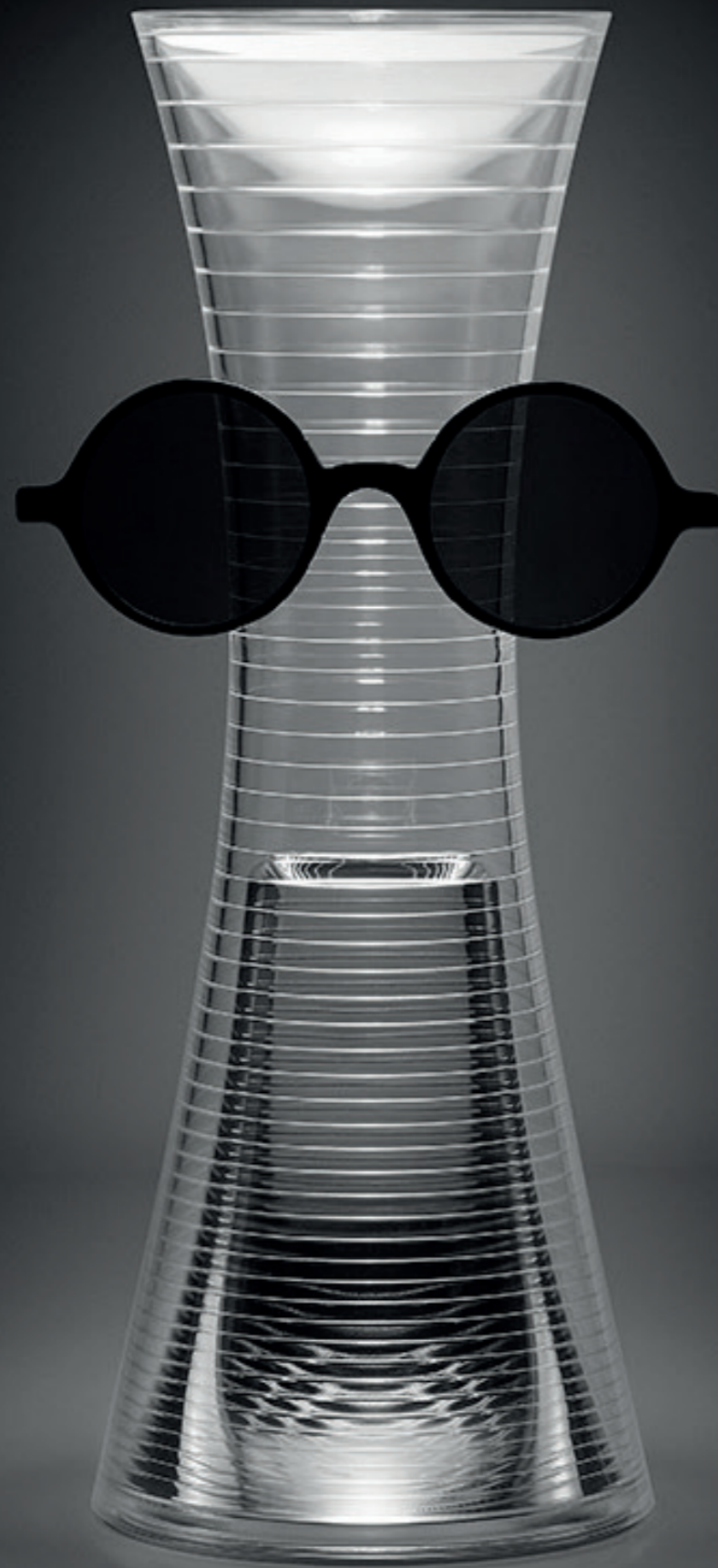
● Black
○ White



“We all have that one object that tells the story of a life, of a journey, or of a collection of objects that we would like to underline with light. Curiosity, inspired by the universe of the “cabinet of curiosities”, stems from the desire to offer a small display to all those who wish to showcase an object under its light. Everyone is free to imagine their own presentation on the stage created by the lamp. Who said curiosity is an undesirable character flaw?”

Daide Oppizzi





Portable Lights

→ Comparison chart

	Gople Portable	Bontà	Curiosity 36	Curiosity 45	Come Together
Power (W)	2,4 W	2,4 W	1,7 W	2,5 W	3,6 W 2,4 W
Lumens (Lm)	215 lm	225 lm	165 lm	235 lm	360 lm 240 lm
Battery autonomy (h)	32 h	32 h	32 h	32 h	16 h 32 h
Battery recharge time (h)	3 h	3 h	4 h	6 h	3 h
Colour Temperature (K)	2700 K	2700 K	3000 K	3000 K	3000 K 2700 K
CRI	CRI=80	CRI=80	CRI=90	CRI=90	CRI=80

Bontà

Materials:

Aluminium, blown glass, wood

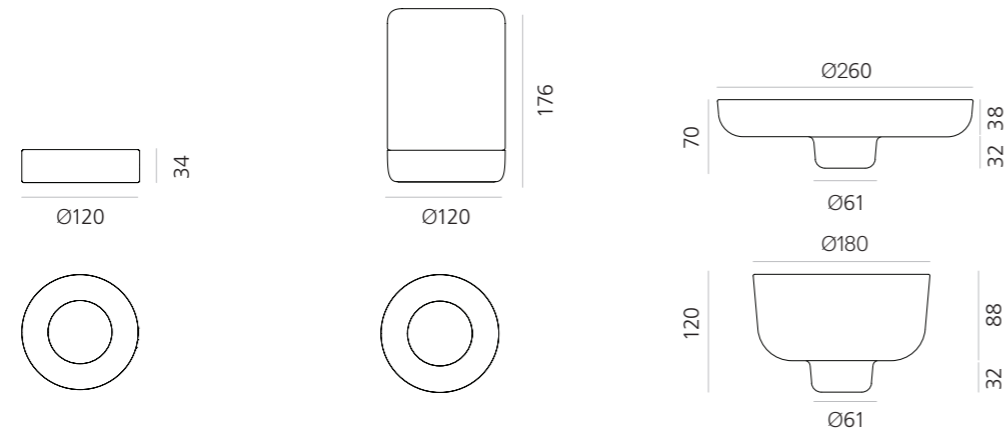
Colours:

White, Topaz, Red, Grey, Torquoise

Total Power: 2,4 W **CRI=** 80

Colour Temperature: 2700K USB C recharge, Dimmer (Slider)

Delivered Luminous Flux: 225 lm



LIGHT DIFFUSER + PLATE

W	lm	CCT	RED Code	TOPAZ Code	TORQUOISE Code	GREY Code
2,4 W	225	2700K	0150140A	0150150A	0150160A	0150170A

LIGHT DIFFUSER + BOWL

W	lm	CCT	RED Code	TOPAZ Code	TORQUOISE Code	GREY Code
2,4 W	225	2700K	0150240A	0150250A	0150260A	0150270A

WOODEN BASE + PLATE

W	lm	CCT	RED Code	TOPAZ Code	TORQUOISE Code	GREY Code
-	-	-	0150340A	0150350A	0150360A	0150370A

WOODEN BASE + BOWL

W	lm	CCT	RED Code	TOPAZ Code	TORQUOISE Code	GREY Code
-	-	-	0150440A	0150450A	0150460A	0176020A

Gople portable

Materials:

Materials: aluminium, diffused blown glass, methacrylate

Colours: White diffuser

Gople Portable:

Total Power: 2,4 W

Colour temperature: 2700 K

Delivered Luminous Flux: 215lm,

CRI=80

USB recharge, Dimmer(slider)

Gople Plug:

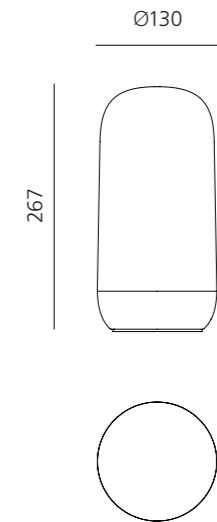
E14 (1 x 5,5 W)

GOPLE PORTABLE

W	lm	CCT	Code
2,4 W	215	2700K	0181020A

GOPLE PLUG

Code
0180020A



Come Together

Materials:

Aluminium, methacrylate.

Colours:

White, Aluminium, Copper

USB recharge, Dimmer (Slider)

Come Together 2700K:

Total Power: 2.4 W

Delivered Luminous Flux: 240 lm

CRI=80

Come Together 3000K:

Total Power: 3.6 W

Delivered Luminous Flux: 360 lm

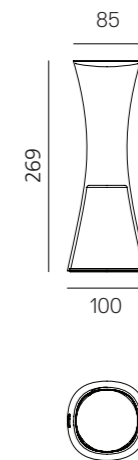
CRI=90

COME TOGETHER 3000 K

W	lm	CCT	WHITE Code	ALUMINIUM Code	COPPER Code
3,6 W	360	3000K	0165010A	0165020A	0165030A

COME TOGETHER 2700 K

W	lm	CCT	WHITE Code	ALUMINIUM Code	COPPER Code
2,4 W	240	2700K	0165W10A	0165W20A	0165W30A



Curiosity

Materials:

Aluminium body, blown glass diffusing sphere.

Colours:

Powered coated body in black and white. Diffuser sphere in white opal glass.

Curiosity 36:

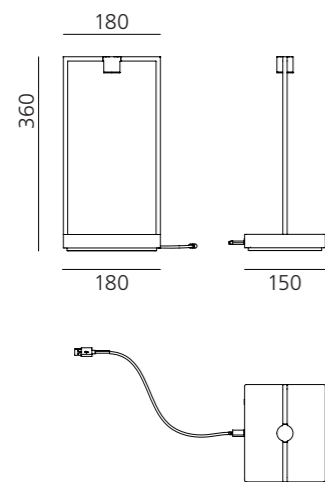
Total Power: 1,7W LED
Delivered Luminous Flux: 165lm
CRI=90

Curiosity 45:

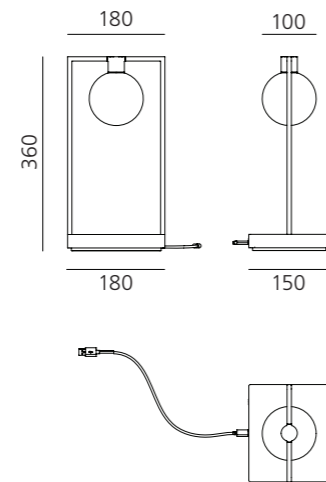
Total Power: 2,5W LED
Delivered Luminous Flux: 235lm
CRI=90

USB C recharge
Touch Dimmer

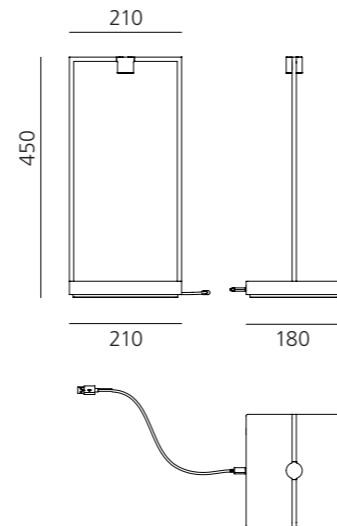
Curiosity 36



Curiosity 36 Sphere



Curiosity 45



CURIOSITY 36

W	lm	CCT	BLACK Code	WHITE Code
1,7 W	165	3000K	0174010A	0174020A

CURIOSITY 36 FOCUS

W	lm	CCT	BLACK Code	WHITE Code
1,7 W	165	3000K	0174110A	0174120A

CURIOSITY 36 WITH SPHERE

W	lm	CCT	BLACK Code	WHITE Code
1,7 W	165	3000K	0175010A	0175020A

CURIOSITY 45

W	lm	CCT	BLACK Code	WHITE Code
2,5 W	235	3000K	0176010A	0176020A

CURIOSITY 45 FOCUS

W	lm	CCT	BLACK Code	WHITE Code
2,5 W	235	3000K	0176110A	0176120A

Artemide®

Headquarters

Artemide S.p.A.
Via Bergamo, 18
20010 Pregnana Milanese (MI), Italy
Tel. +39 02 93518.1
Tel. +39 02 93526.1
Numero verde 800 834 093
(from Italy only)
info@artemide.com
artemide.com

Communication and Marketing Department

Via Canova, 34
20145 Milan (MI), Italy
Tel. +39 02.349611
marketing@artemide.com
artemide.com

Artemide S.p.A.

si riserva la facoltà di modificare, in qualunque momento e senza preavviso, le caratteristiche tecniche degli elementi illustrati nel presente catalogo.

Artemide S.p.A.

reserves the right to change, at any time and without prior warning, the technical specifications of any product illustrated in this catalogue.

Artemide S.p.A.

se réserve le droit de modifier, à n'importe quel moment et sans préavis, les caractéristiques techniques des éléments illustrés dans ce catalogue.

Artemide S.p.A.

behält sich das Recht vor jederzeit und ohne Ankündigung die technischen Daten der im Katalog abgebildeten Produkte zu ändern.

Artemide S.p.A.

se reserva la facultad de modificar, en cualquier y sin aviso previo, las características técnicas de los elementos ilustrados en el presente catálogo.

For information regarding distributors and points of sale, please visit our website artemide.com or email: info@artemide.com



ISO 9001:2015



ISO 14001:2015



ISO 45001:2018



CTF STAGE2
ISO 17025

Artemide[®]