

TRT Crane Pads evenly distribute outrigger crane loads. Quality engineering ensures all TRT Crane Pads adhere to the CICA industry standards.

PAD-082-T

PAD WEIGHT: 2125kg

MINIMUM FOOT SIZE: 590mm x 590mm

MAXIMUM SPAN: 1000mm

MAXIMUM LOAD: 225T

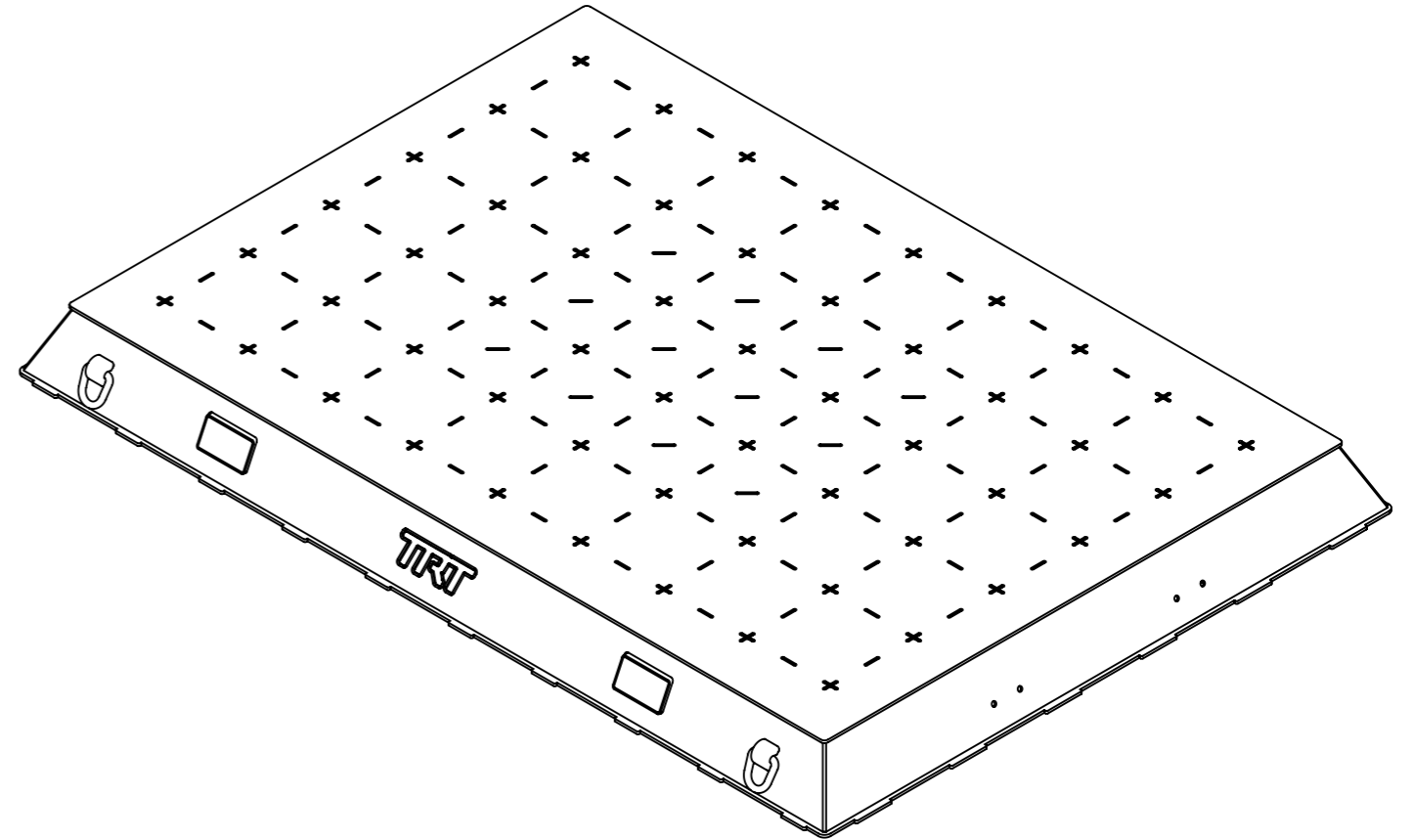
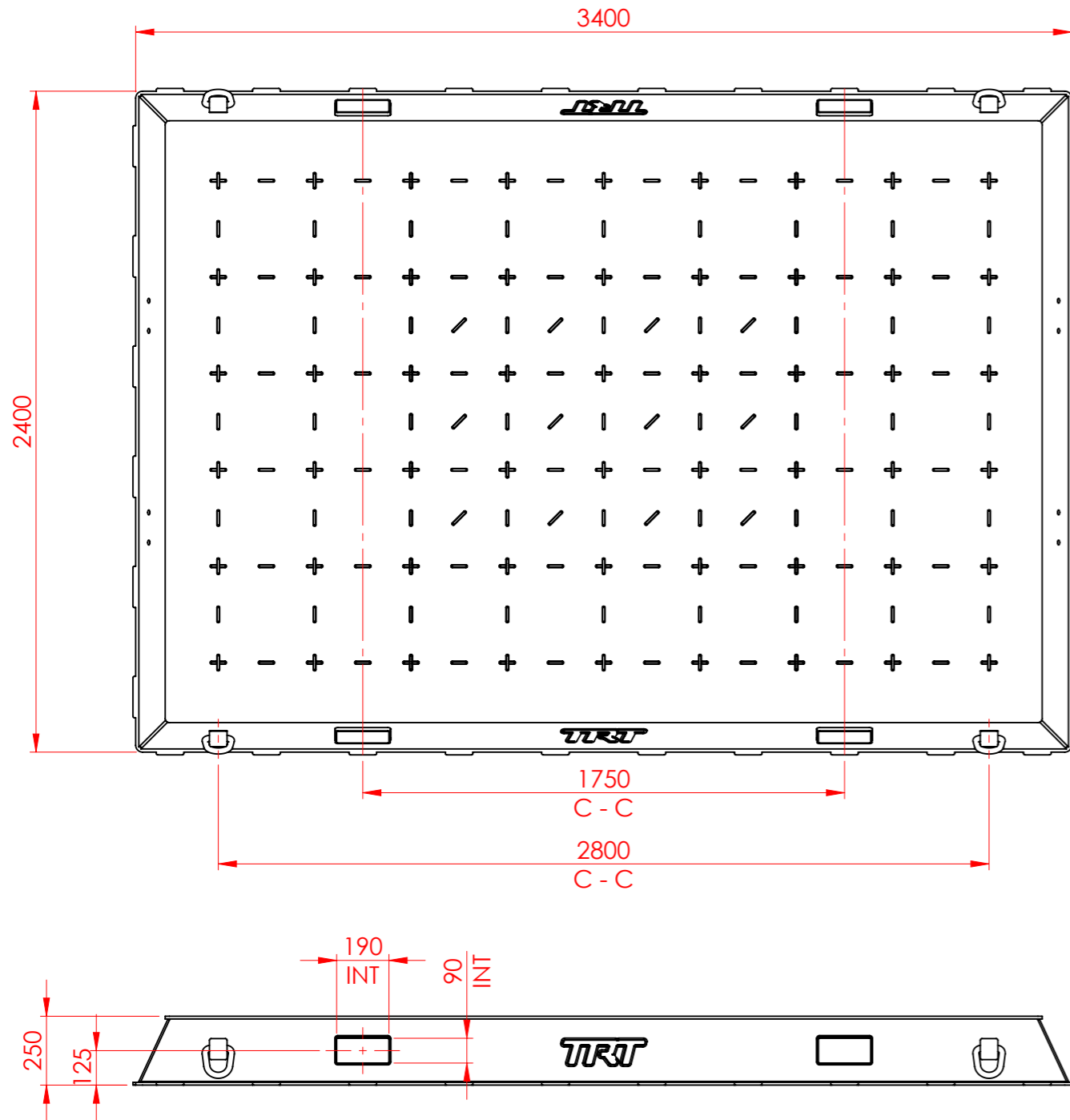
GROUND PRESSURE RATING		
WIDTH (mm)		3400
LENGTH (mm)		2400
CONTACT AREA (m ²)		8.2
GROUND PRESSURE	kg / m ²	kPa
25 TONNE	3064	30
50 TONNE	6127	60
100 TONNE	12255	120
150 TONNE	18382	180
200 TONNE	24510	240
225 TONNE	27574	270

UNLESS OTHERWISE STATED		WELDING: ALL INFORMATION SHALL COMPLY WITH NZ/AS 1554:2000 PT 1 CATEGORY SP UNLESS OTHERWISE STATED AND SHALL BE WELDED TO A QUALIFIED PROCEDURE, BY A WELDER QUALIFIED FOR THE APPROPRIATE POSITION AND SUPERVISED BY A WELDING SUPERVISOR	
GENERAL TOLERANCES	0.00 = ± 0.05 0.0 = ± 0.2 0 = ± 0.5	THIRD ANGLE PROJECTION	
ANGLES	0 = ± 0.5°	SURFACE FINISH (µm)	1.6
THIS DRAWING IS © COPYRIGHT AND IS THE PROPERTY OF TIDD ROSS TODD LTD. IT IS FURNISHED TO YOU FOR CONFIDENTIAL INFORMATION PURPOSES ONLY AND IS NOT TO BE DISCLOSED TO ANYONE ELSE OR USED FOR MANUFACTURING PURPOSES WITHOUT THE EXPRESS WRITTEN PERMISSION OF TIDD ROSS TODD LTD.		REV	NAME
C	1/03/21	INCREASED POCKET SIZE TO 200X100X5 RHS	JH
B	24/02/21	ADDED PAD-082-DP1750 ASSY DRAWINGS	JH
A	10/06/20	FIRST ISSUE	JH



TIDD ROSS TODD LTD
 48 Maui Street, Hamilton,
 New Zealand
 Phone: +64 7 849 4839
 Email: trt@trt.co.nz
 Website: trt.co.nz
 ISO9001:2015

NAME	DATE	TITLE:
DRAWN	JH	10/06/20
CHK'D	-	-
APPV'D	-	-
DO NOT SCALE DRAWINGS IN mm's		STATUS - M
SHEET 3 OF 6		DWG NO. PAD-082
SCALE: 1:22		REVISION C



TRT Crane Pads evenly distribute outrigger crane loads. Quality engineering ensures all TRT Crane Pads adhere to the CICA industry standards.

PAD-082-DP1750

PAD WEIGHT: 2215kg

MINIMUM FOOT SIZE: 590mm x 590mm

MAXIMUM SPAN: 1000mm

MAXIMUM LOAD: 225T

GROUND PRESSURE RATING

WIDTH (mm)		3400
LENGTH (mm)		2400
CONTACT AREA (m ²)		8.2
GROUND PRESSURE	kg / m ²	kPa
25 TONNE	3064	30
50 TONNE	6127	60
100 TONNE	12255	120
150 TONNE	18382	180
200 TONNE	24510	240
225 TONNE	27574	270

UNLESS OTHERWISE STATED

GENERAL TOLERANCES	0.00 = ± 0.05 0.0 = ± 0.2 0 = ± 0.5	THIRD ANGLE PROJECTION
ANGLES	0 = ± 0.5°	SURFACE FINISH (µm)

THIS DRAWING IS © COPYRIGHT AND IS THE PROPERTY OF TIDD ROSS TODD LTD. IT IS FURNISHED TO YOU FOR CONFIDENTIAL INFORMATION PURPOSES ONLY AND IS NOT TO BE DISCLOSED TO ANYONE ELSE OR USED FOR MANUFACTURING PURPOSES WITHOUT THE EXPRESS WRITTEN PERMISSION OF TIDD ROSS TODD LTD.

WELDING: ALL INFORMATION SHALL COMPLY WITH NZ/AS 1554:2000 PT 1 CATEGORY SP UNLESS OTHERWISE STATED AND SHALL BE WELDED TO A QUALIFIED PROCEDURE, BY A WELDER QUALIFIED FOR THE APPROPRIATE POSITION AND SUPERVISED BY A WELDING SUPERVISOR

REV	DATE	COMMENT	NAME
C	1/03/21	INCREASED POCKET SIZE TO 200X100X5 RHS	JH
B	24/02/21	ADDED PAD-082-DP1750 ASSY DRAWINGS	JH
A	10/06/20	FIRST ISSUE	JH



TIDD ROSS TODD LTD
 48 Maui Street, Hamilton,
 New Zealand
 Phone: +64 7 849 4839
 Email: trt@trt.co.nz
 Website: trt.co.nz
 ISO9001:2015

NAME	DATE	TITLE:	CRANE PAD 3400 X 2400 ASSY
DRAWN	JH	10/06/20	
CHK'D	-	-	
APPV'D	-	-	
DO NOT SCALE DRAWINGS IN mm's	STATUS - M	SHEET 6 OF 6	DWG NO. PAD-082
		SCALE:1:22	REVISION C