

SCALE 1:55

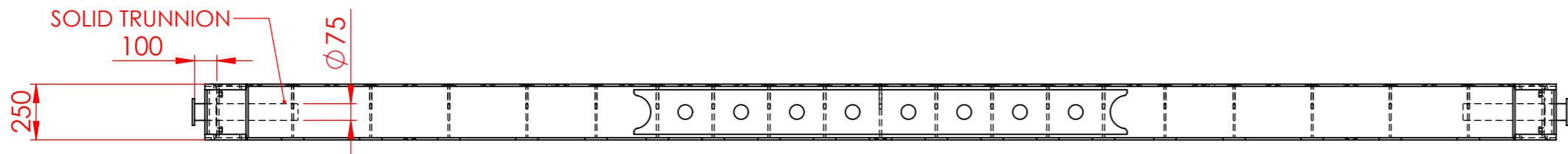
PAD-143-T

PAD WEIGHT: 4130kg

MINIMUM FOOT SIZE: Ø600mm(NON PLASTIC)

MAXIMUM SPAN: 1000mm (Standard)

MAXIMUM LOAD: 250T



Ground Pressure Rating		
WIDTH (mm)		2400
LENGTH (mm)		5970
CONTACT AREA (m ²)		14.3
GROUND PRESSURE	kg / m ²	kPa
25 TONNE	1745	17
50 TONNE	3490	34
100 TONNE	6979	68
150 TONNE	10469	103
200 TONNE	13959	137
250 TONNE	17448	171

TRT Crane Pads evenly distribute outrigger crane loads.
Quality engineering ensures all TRT Crane Pads adhere to the CICA industry standards.

UNLESS OTHERWISE STATED	
GENERAL TOLERANCES	0.00 = ± 0.05 0.0 = ± 0.2 0 = ± 0.5
ANGLES	0 = ± 0.5°
	THIRD ANGLE PROJECTION
	SURFACE FINISH (µm)

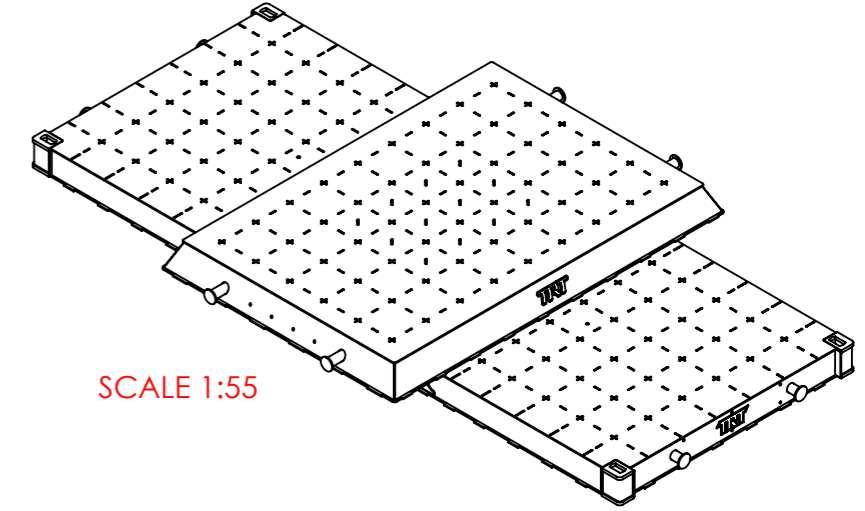
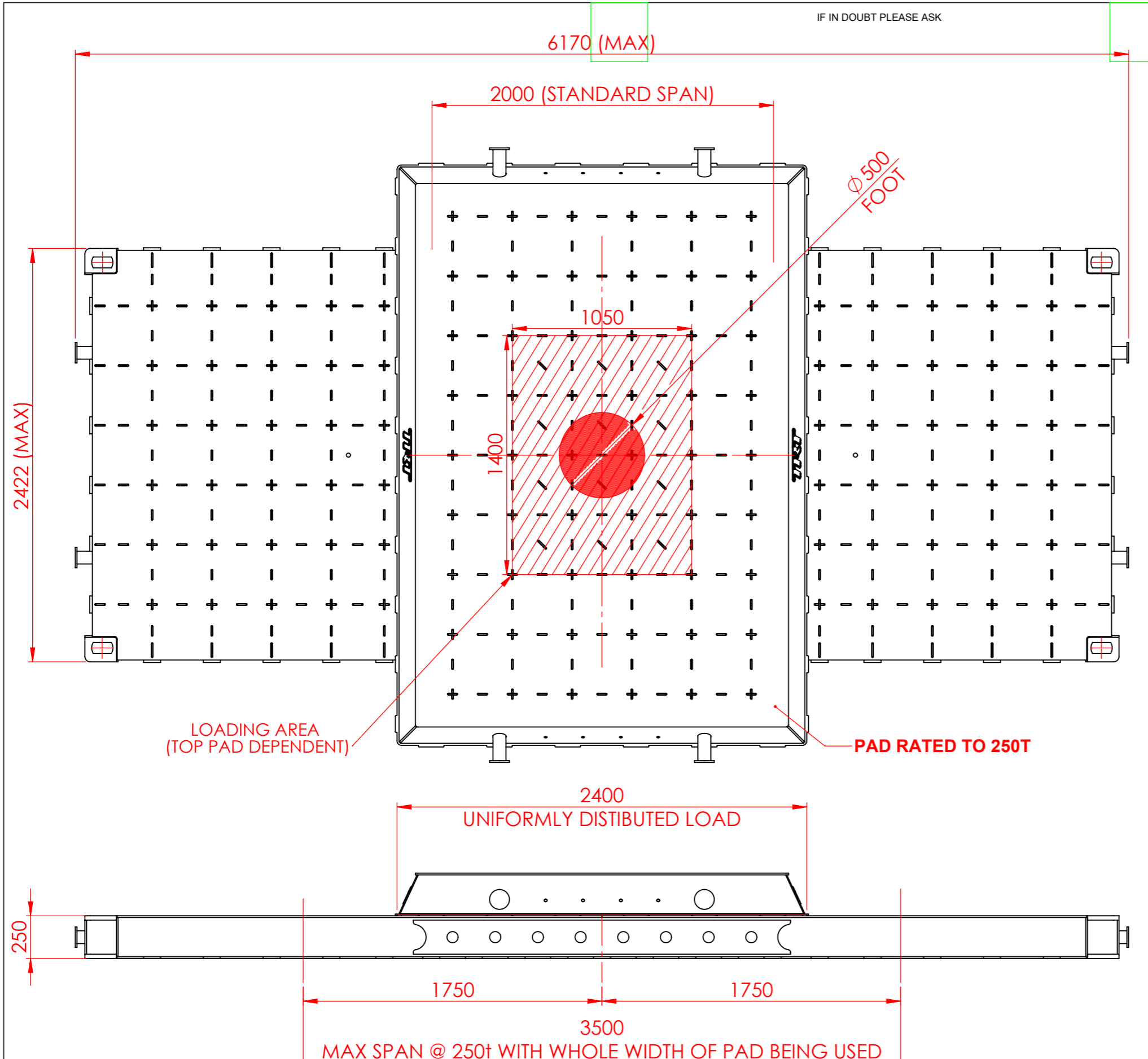
WELDING: ALL INFORMATION SHALL COMPLY WITH NZ/AS 1554:2000 PT 1 CATEGORY SP UNLESS OTHERWISE STATED AND SHALL BE WELDED TO A QUALIFIED PROCEDURE, BY A WELDER QUALIFIED FOR THE APPROPRIATE POSITION AND SUPERVISED BY A WELDING SUPERVISOR			
REV	DATE	COMMENT	NAME
C	27/07/2023	CHANGED MIN FOOT SIZE	JC
B	06/09/2022	TRT LOGO UPDATED	MJ
A	19/11/19	FIRST ISSUE	BGB



TIDD ROSS TODD LTD
48 Maui Street, Hamilton,
New Zealand
Phone: +64 7 849 4839
Email: trt@trt.co.nz
Website: trt.co.nz
ISO9001:2015

NAME	DATE	TITLE:
DRAWN	BGB	19/11/19
CHK'D	DT	19/11/19
APPV'D	DT	17/06/21
DO NOT SCALE DRAWINGS IN mm's		STATUS - M
SHEET 4 OF 5		DWG NO. PAD-143
SCALE:1:25		REVISION C

IF IN DOUBT PLEASE ASK



PAD-143-T ALTERNATE LOADING

40t @ 5.5 M SPAN
Ø 500 FOOT IN LOADING AREA
35MM DEFLECTION

250t @ 1.15M
Ø 500 FOOT IN LOADING AREA
2MM DEFLECTION

250t @ 3.5M
2.4X2.4M LOADING AREA IN CENTER
WITH 250t CAPABLE PAD
20MM DEFLECTION

UNLESS OTHERWISE STATED

GENERAL TOLERANCES	0.00 = ± 0.05 0.0 = ± 0.2 0 = ± 0.5	THIRD ANGLE PROJECTION
ANGLES	0 = ± 0.5°	SURFACE FINISH (µm)

THIS DRAWING IS © COPYRIGHT AND IS THE PROPERTY OF TIDD ROSS TODD LTD.
IT IS FURNISHED TO YOU FOR CONFIDENTIAL INFORMATION PURPOSES ONLY AND IS NOT TO BE DISCLOSED TO ANYONE ELSE OR USED FOR MANUFACTURING PURPOSES WITHOUT THE EXPRESS WRITTEN PERMISSION OF TIDD ROSS TODD LTD.

WELDING: ALL INFORMATION SHALL COMPLY WITH NZ/AS 1554:2000 PT 1 CATEGORY SP UNLESS OTHERWISE STATED AND SHALL BE WELDED TO A QUALIFIED PROCEDURE, BY A WELDER QUALIFIED FOR THE APPROPRIATE POSITION AND SUPERVISED BY A WELDING SUPERVISOR

REV	DATE	COMMENT	NAME
C	27/07/2023	CHANGED MIN FOOT SIZE	JC
B	06/09/2022	TRT LOGO UPDATED	MJ
A	19/11/19	FIRST ISSUE	BGB



TIDD ROSS TODD LTD
48 Maui Street, Hamilton,
New Zealand
Phone: +64 7 849 4839
Email: trt@trt.co.nz
Website: trt.co.nz
ISO9001:2015

NAME	DATE	TITLE:	
DRAWN	BGB	19/11/19	CRANE PAD 5970 X 2400
CHK'D	DT	19/11/19	
APPV'D	DT	17/06/21	
DO NOT SCALE DRAWINGS IN mm's	STATUS - M	SHEET 5 OF 5	DWG NO. PAD-143
		SCALE:1:25	REVISION C