

SCALE 1:55

PAD-143-T

PAD WEIGHT: 4130kg

MINIMUM FOOT SIZE: Ø500mm

MAXIMUM SPAN: 1000mm (Standard)

MAXIMUM LOAD: 250T

Ground Pressure Rating

WIDTH (mm)		2400
LENGTH (mm)		5970
CONTACT AREA (m ²)		14.3
GROUND PRESSURE	kg / m ²	kPa
25 TONNE	1745	17
50 TONNE	3490	34
100 TONNE	6979	68
150 TONNE	10469	103
200 TONNE	13959	137
250 TONNE	17448	171

TRT Crane Pads evenly distribute outrigger crane loads.
Quality engineering ensures all TRT Crane Pads adhere to the CICA industry standards.

UNLESS OTHERWISE STATED

GENERAL TOLERANCES
0.00 = ±0.05
0.0 = ±0.2
0 = ±0.5
ANGLES 0 = ±0.5°

THIRD ANGLE PROJECTION
1.6 SURFACE FINISH (µm)

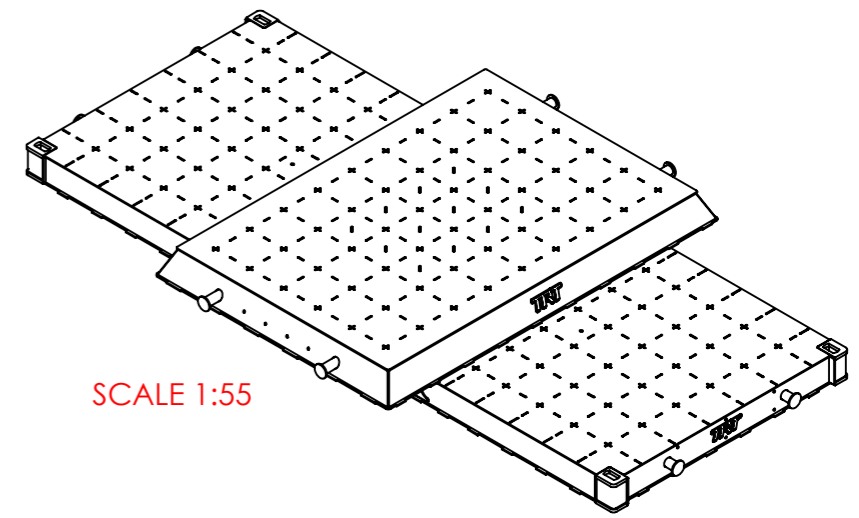
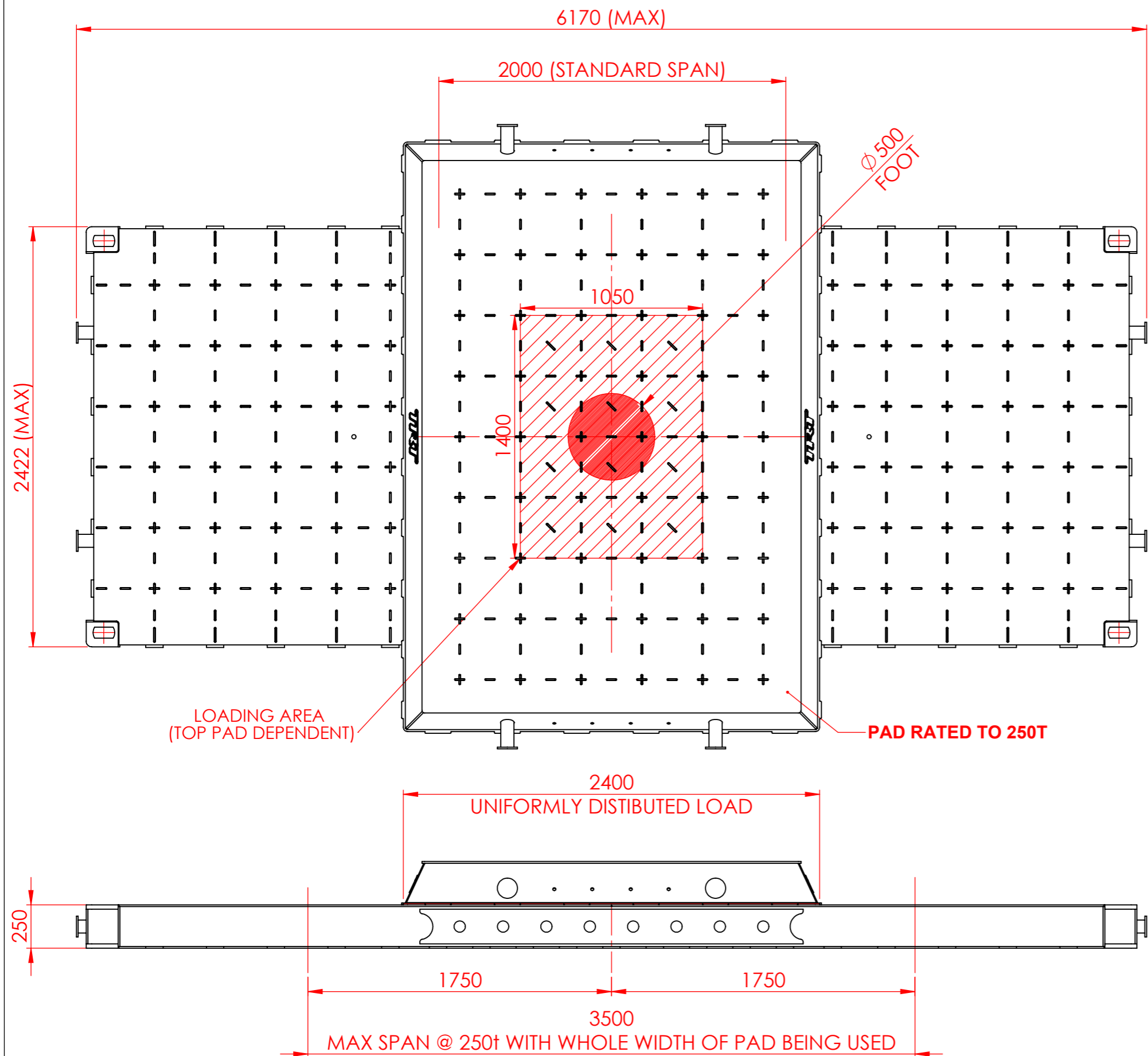
THIS DRAWING IS © COPYRIGHT AND IS THE PROPERTY OF TIDD ROSS TODD LTD. IT IS FURNISHED TO YOU FOR CONFIDENTIAL INFORMATION PURPOSES ONLY AND IS NOT TO BE DISCLOSED TO ANYONE ELSE OR USED FOR MANUFACTURING PURPOSES WITHOUT THE EXPRESS WRITTEN PERMISSION OF TIDD ROSS TODD LTD.

WELDING: ALL INFORMATION SHALL COMPLY WITH NZ/AS 1554:2000 PT 1 CATEGORY SP UNLESS OTHERWISE STATED AND SHALL BE WELDED TO A QUALIFIED PROCEDURE, BY A WELDER QUALIFIED FOR THE APPROPRIATE POSITION AND SUPERVISED BY A WELDING SUPERVISOR. WIRE BUFF ALL STEEL COMPONENTS PRIOR TO WELDING



48 Maui Street
Hamilton
New Zealand
Ph: +64 7 849 4839
Email: trt@trt.co.nz
ISO 9001:2015

NAME	DATE	TITLE:	CRANE PAD 5970 X 2400
DRAWN	JH	06/07/20	
CHK'D	-	-	SHEET 4 OF 5
APPV'D	-	-	
DO NOT SCALE DRAWINGS IN mm's	STATUS - M	SCALE:1:25	DWG NO. PAD-143
			REVISION A



SCALE 1:55

PAD-143-T ALTERNATE LOADING

40t @ 5.5 M SPAN
 Ø 500 FOOT IN LOADING AREA
 35MM DEFLECTION

250t @ 1.15M
 Ø 500 FOOT IN LOADING AREA
 2MM DEFLECTION

250t @ 3.5M
 2.4X2.4M LOADING AREA IN CENTER
 WITH 250t CAPABLE PAD
 20MM DEFLECTION

UNLESS OTHERWISE STATED

GENERAL TOLERANCES	0.00 = ±0.05 0.0 = ±0.2 0 = ±0.5	THIRD ANGLE PROJECTION
ANGLES	0 = ±0.5°	SURFACE FINISH (µm)

THIS DRAWING IS © COPYRIGHT AND IS THE PROPERTY OF TIDD ROSS TODD LTD. IT IS FURNISHED TO YOU FOR CONFIDENTIAL INFORMATION PURPOSES ONLY AND IS NOT TO BE DISCLOSED TO ANYONE ELSE OR USED FOR MANUFACTURING PURPOSES WITHOUT THE EXPRESS WRITTEN PERMISSION OF TIDD ROSS TODD LTD.

WELDING: ALL INFORMATION SHALL COMPLY WITH NZ/AS 1554:2000 PT 1 CATEGORY SP UNLESS OTHERWISE STATED AND SHALL BE WELDED TO A QUALIFIED PROCEDURE, BY A WELDER QUALIFIED FOR THE APPROPRIATE POSITION AND SUPERVISED BY A WELDING SUPERVISOR. WIRE BUFF ALL STEEL COMPONENTS PRIOR TO WELDING

REV	DATE	COMMENT	NAME



48 Maui Street
 Hamilton
 New Zealand
 Ph: +64 7 849 4839
 Email: trt@trt.co.nz
 ISO 9001:2015

NAME	DATE	TITLE:	REVISION
DRAWN	JH	06/07/20	CRANE PAD 5970 X 2400
CHK'D	-	-	
APPV'D	-	-	
DO NOT SCALE DRAWINGS IN mm's		STATUS - M	SCALE:1:25
		SHEET 5 OF 5	DWG NO. PAD-143
			REVISION A