

Impact Series Rower

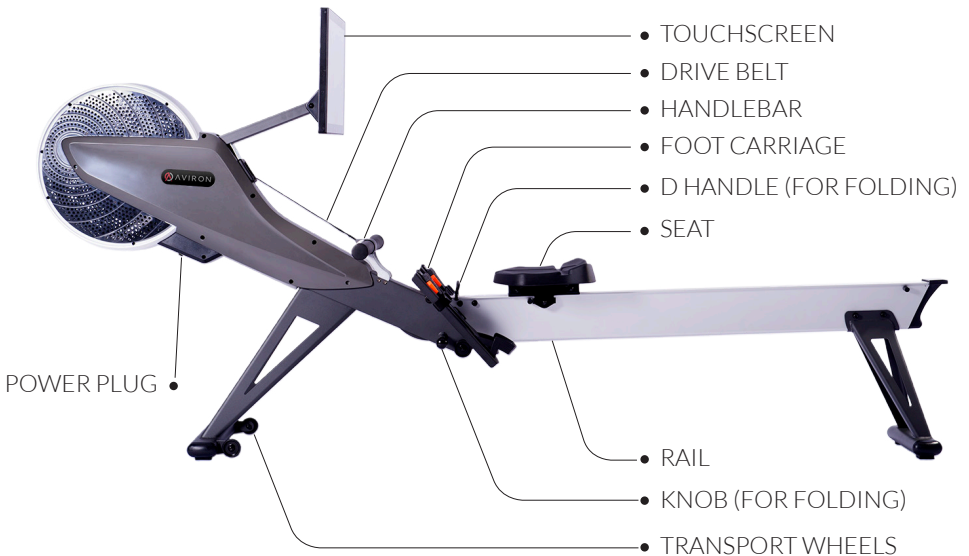
User Manual

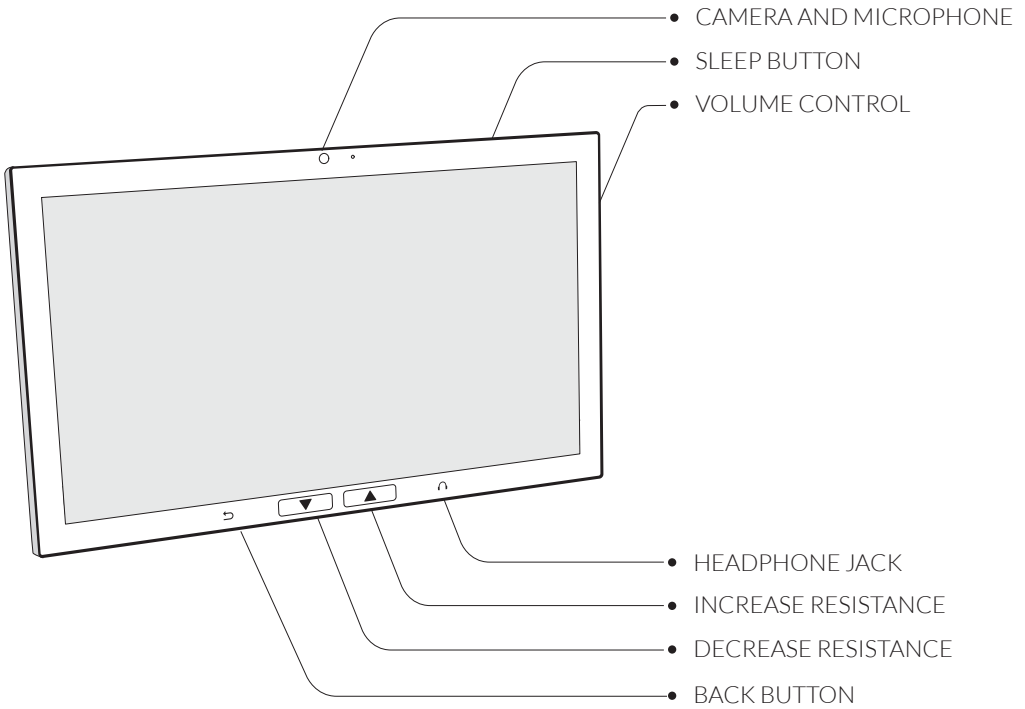
AVIRON INTERACTIVE

End Boring Workouts

This guide will help you safely setup the equipment and get you started. You can find additional help and tutorials in the Aviron application help menu or on our website www.avironactive.com

🕒 We are excited to get you started!





ETHERNET PORT LOCATED AT REAR

CAUTION: Any changes or modifications to this equipment could void the equipment warranty. Any service other than cleaning or user maintenance must be performed by an authorized service representative.

WORKOUT SCREEN

1. LEADERBOARD

Your position highlighted in red in relation to other players

2. PLAYERS

See other players and their position

3. WATTS

Watts per stroke

4. TOTAL OUTPUT (KJ)

5. STROKE RATE

Strokes per minute

6. CALORIES BURNED

7. SPLIT TIME

Projected minutes to travel 500 meters

8. RESISTANCE LEVEL

9. TIME REMAINING/ELAPSED

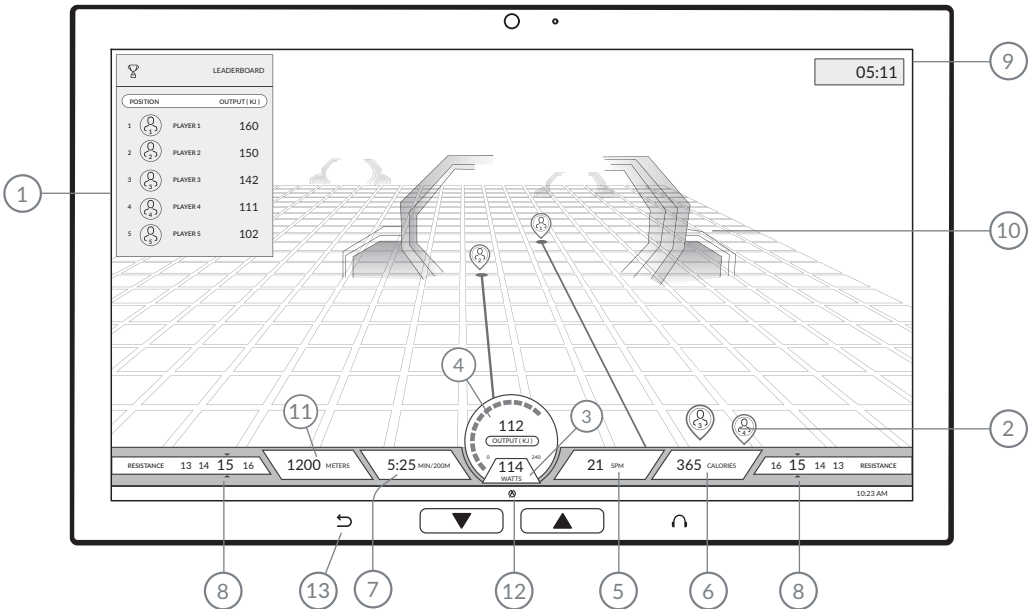
10. CHECKPOINT

11. METERS TRAVELED

12. EXIT

13. BACK

Go back to the previous menu



SPECIFICATIONS

ROWER

FRAME

High strength aluminum

RESISTANCE

16 level dual air & magnetic system

BELT

Industrial Whisper Belt

SEAT

Ergonomic seat with extra rear support

DIMENSIONS

246 x 53 x 108 cm

FOLDED DIMENSIONS

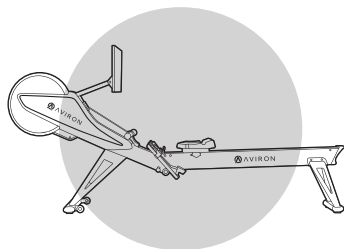
136 x 53 x 158 cm

WEIGHT

93LBS / 42KG

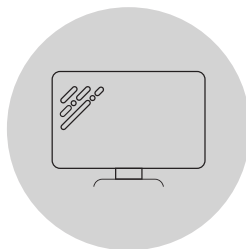
MAX USER WEIGHT

397LBS / 180KG



SPECIFICATIONS

TOUCHSCREEN



SCREEN

21.5" 1080P touchscreen

PROCESSORS

ARM 2.0Ghz dual core & 1.5Ghz quad core

GRAPHICS

ARM Mali-T864 GPU

MEMORY

4GB RAM

STORAGE

32GB eMMC flash

OS

Android 7.0

WIFI

802.11 b/g/n/ac

ETHERNET

10/100Mbps

BLUETOOTH

4.1

CAMERA

2 megapixel front-facing

SPEAKERS

2x2 watt stereo

CERTIFICATIONS

FCC, CE & IC

⦿ Safety Instructions

Read all instructions before assembling and using the equipment. These instructions are for your safety and to protect the equipment.

If at any time you feel faint, dizzy or are experiencing pain, stop and consult your physician immediately. It is recommended that you consult a fitness professional on the correct use of this equipment.

The equipment is not recommended for children under the age of 10 years.

⦿ FCC Radiation Exposure Statement

The transmitter must not be collocated or operation in conjunction with any other antenna or transmitter. This equipment complies with the FCC RF radiation exposure limits set forth for an uncontrolled environment. This equipment should be installed and operated with a minimum distance of 20cm between the radiator and any part of the body.

⦿ Location

Assemble and operate the equipment on a solid, level surface. A clear space of at least 100cm (39in) should be maintained on all sides. Do not use this equipment outdoors, near swimming pools, or in areas of high humidity.

⦿ Weight Capacity

The maximum recommended weight capacity for the equipment is 397lbs (180kg).

⦿ Electrical Shock

To reduce the risk of burns, fire, electric shock, or injury, it is imperative to connect the equipment to a properly grounded electrical outlet. Always disconnect the equipment from the electrical outlet immediately before cleaning or attempting any maintenance activity.

⦿ Inspection

Inspect your equipment prior to exercising to ensure that all nuts and bolts are fully tightened. Do not use the equipment if it is unsafe.

☉ Warm-up

Stretch for 5 to 10 minutes prior to exercising.
Warm-up for 5 to 10 minutes prior to exercising.

The warm-up should gently prepare the body for exercises by gradually increasing the heart rate and circulation; this will loosen the joints and increase blood flow to the muscles. Stretching the muscles prepares them for physical activity and prevents injuries.

Remove all jewelry, including rings, chains and pins before exercising. Always wear suitable clothing and footwear while exercising. Do not wear loose fitting clothing that could become caught in the moving parts of your equipment.
Tie back long hair.

☉ Assembly

For safety, and to save time and effort, read these instructions completely before beginning assembly.

Do not plug the power supply to the outlet before the equipment is fully assembled. Input power supply specification depends on local electricity supply, and a proper transformer may be needed.

DC transformer spec.: Input: 100-240V ~1.5A (50-60Hz)
Output: 19V 3.42A

Tools required for assembly



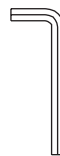
Screw driver



Wrench



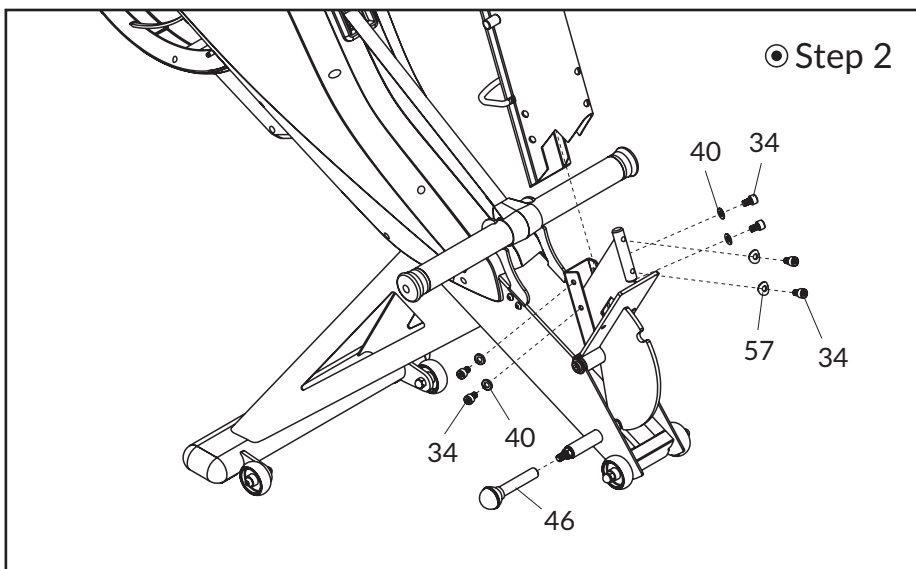
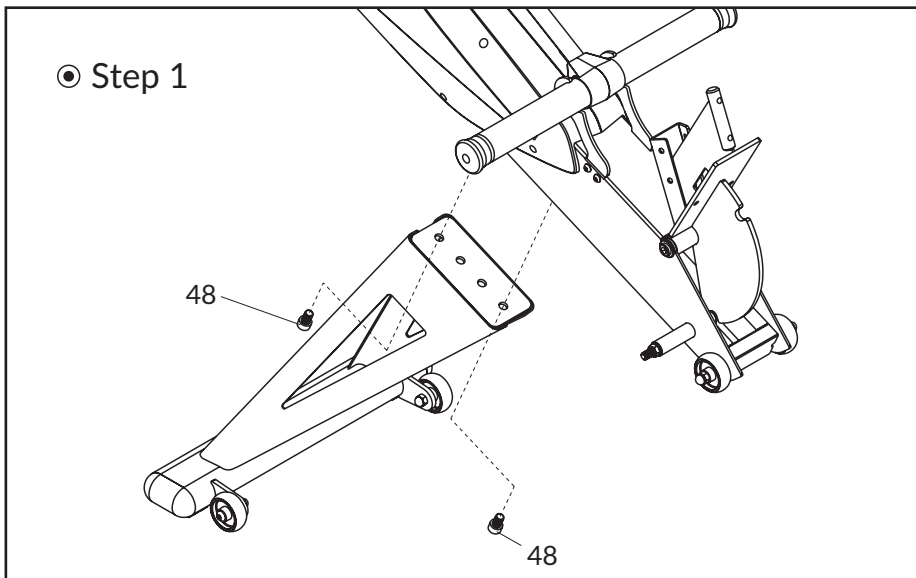
6mm



8mm

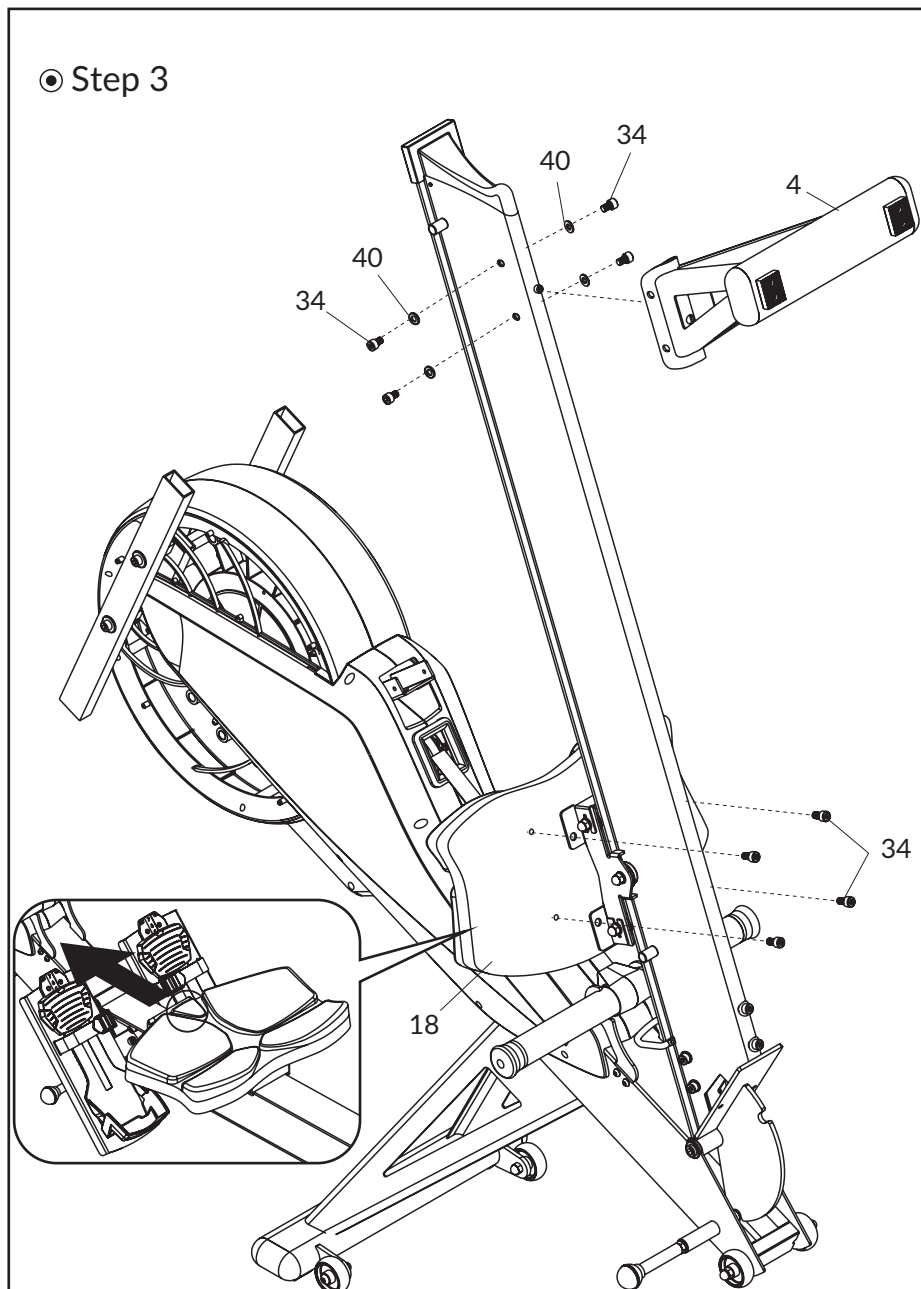
Allen wrench

ASSEMBLY INSTRUCTIONS

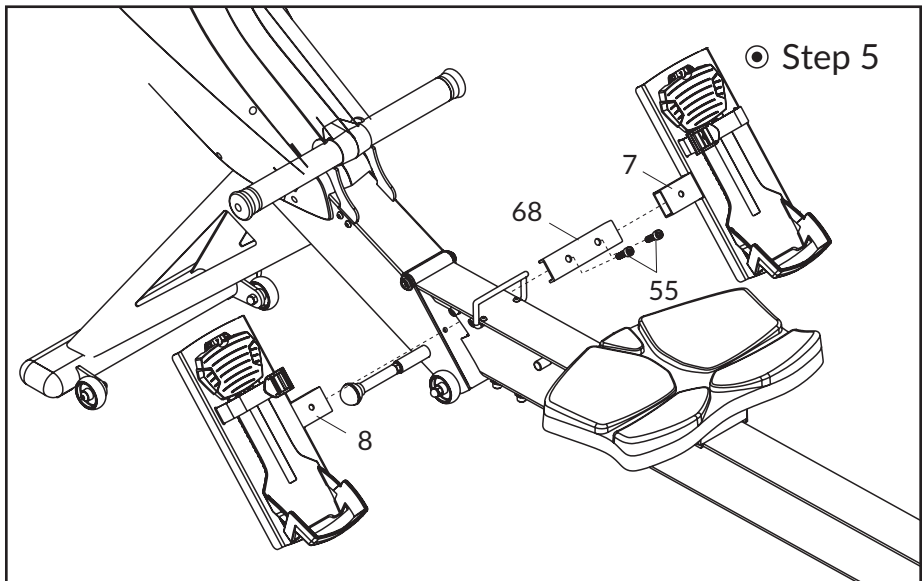
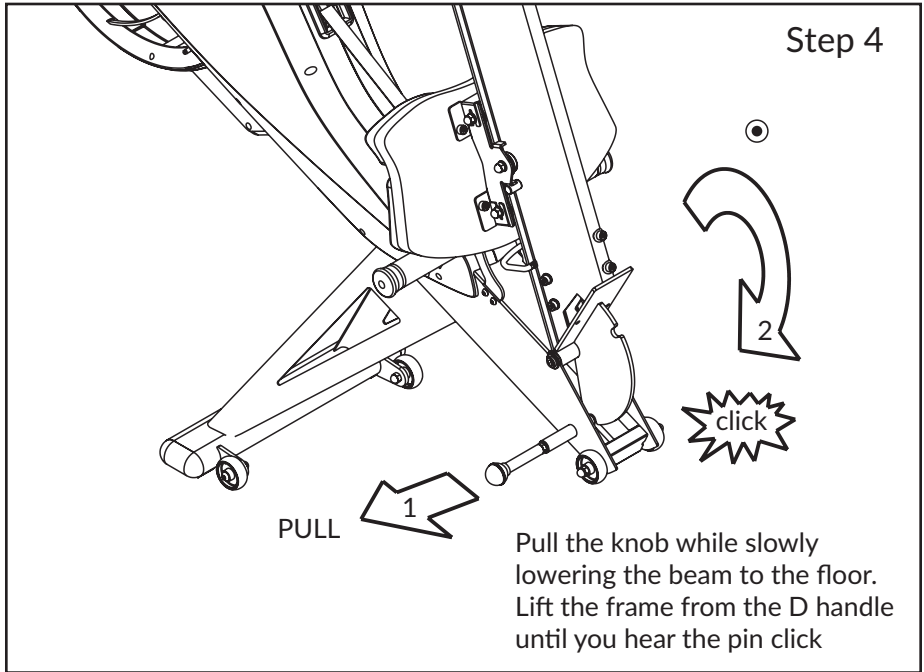


ASSEMBLY INSTRUCTIONS

Step 3

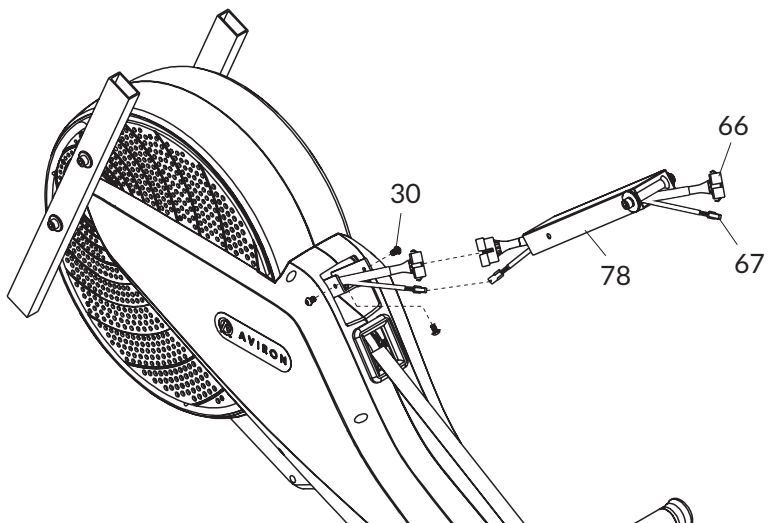


ASSEMBLY INSTRUCTIONS

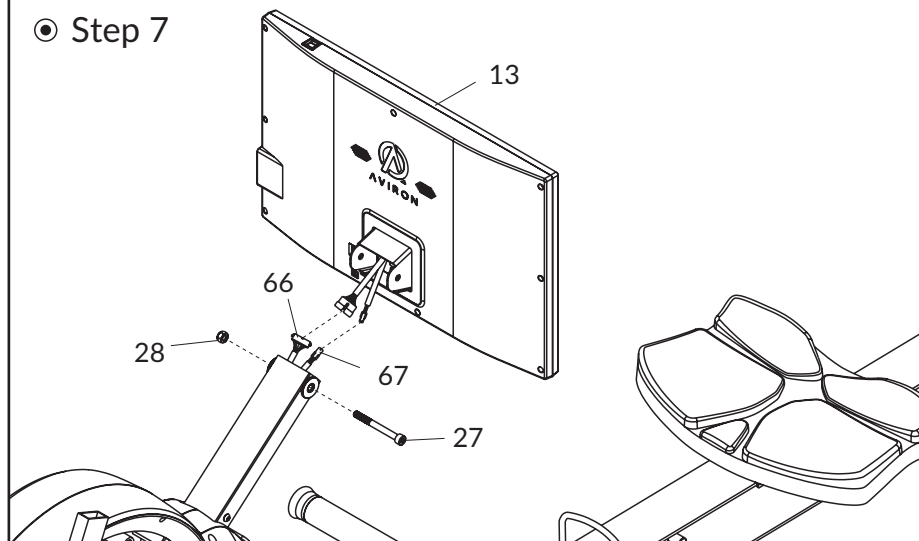


ASSEMBLY INSTRUCTIONS

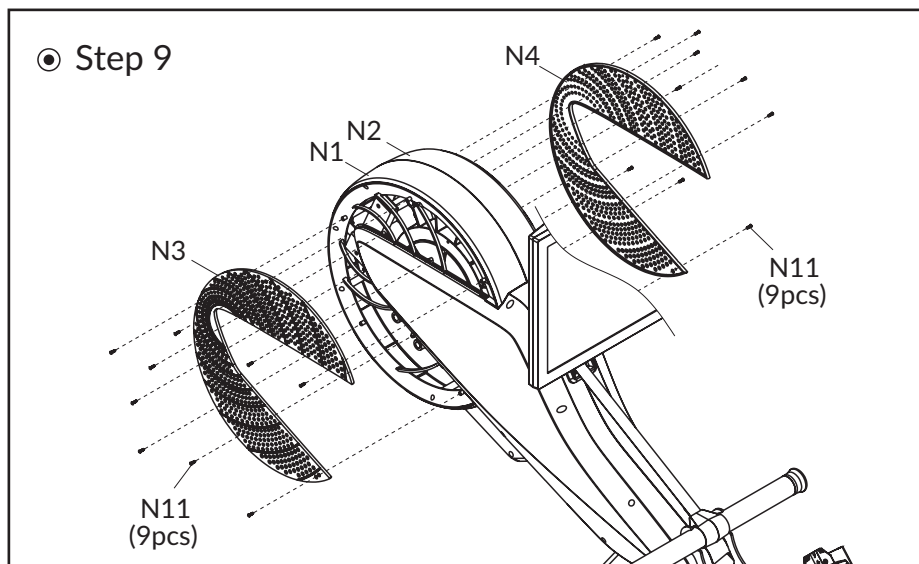
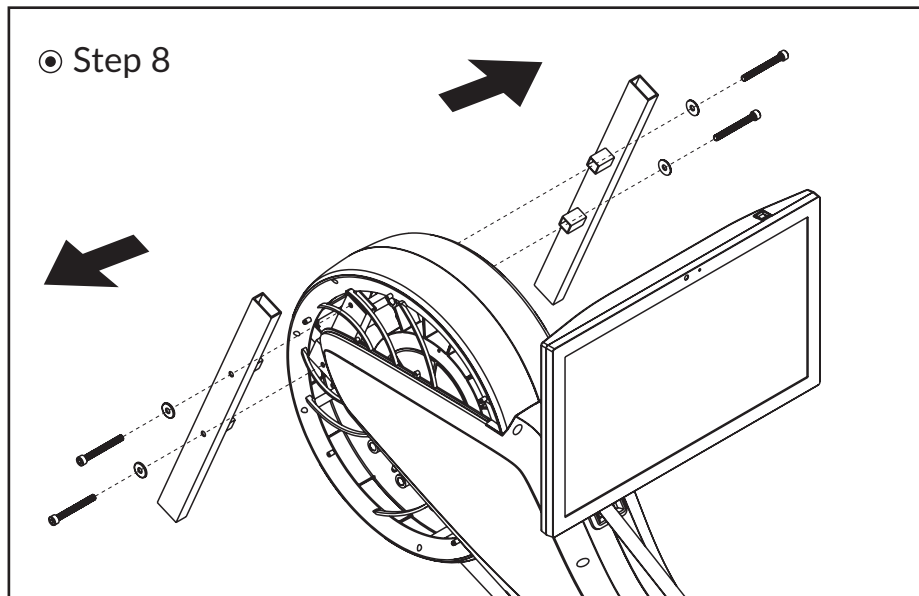
Step 6



Step 7



ASSEMBLY INSTRUCTIONS



PART LIST

NO.	DESCRIPTION	QTY
1	Main frame	1
2	Central beam	1
3	Front stabilizer	1
4	Rear stabilizer	1
5	Handlebar holder	2
6	Folding rotatably supporter	1
7	Pedal base - R	1
8	Pedal base - L	1
10	Rear stabilizer holding bracket	1
12	Handlebar	1
13	Console	1
15	Console washer	2
17	End cap for handlebar	2
18	Saddle	1
19	End cap for stabilizer	4
20	Transportation wheel	4
21	Foot pad	4
22	End cap for central beam	1
23	Pedal A	2
24	Pedal adjustment bottom	2
25	Pedal strap	2
26	Pedal B	2
27	Socket head bolt M8 x 80mm	1
28	Nylon nut M8	1
30	Round head screw M6 x 10mm	4
31	Socket head bolt M10 x 16mm	2
32	Washer Ø1/2" x Ø23 x 2T	2
33	Spacer	2
34	Socket head bolt M8 x 12mm	14
35	Cover - R	1
36	Cover - L	1
37	Foam grip	2
39	Round head self-tapping screw M3 x 6mm	2
40	Washer Ø8 x Ø16 x 2T	16
42	Spring	1
44	Pop pin	1

PART LIST

NO.	DESCRIPTION	QTY
45	Nut 3/8"-16	1
46	Pop pin knob connector	1
47	Knob for pop pin	1
48	Socket head bolt M10 x 16mm	2
49	Round head bolt M8 x 40mm	2
50	Domed nut M8	10
51	Round head screw 5/32 x 1/2"	8
52	Round head self-tapping screw M4 x 8mm	8
53	Pan head screw M5 x 15mm	4
54	Pedal adjustment bottom holder	2
55	Socket head bolt M8 x 25mm	2
56	End cap for decoration	1
57	Arc washer M8 x 2T x Ø19	2
58A	Roller assembly	6
60	Powder metal sleeve (12 x 8 x 2mm)	6
65	Socket head screw M6 x 10mm	1
66	Wire upper	1
67	Pulse wire	1
68	Pedal base bracket	1
69	Logo for AVIRON	2
71	D handle	1
72	Round head screw M5 x 10mm	2
77	Strap protected pad	1
78	Console tube	1
91	Round head screw M6 x 10mm	3
98	Stopper	4
99	Stud bolt Ø5.25 x 85	2
100	Stud bolt Ø10 x 121	2
106A	Sliding support side plate	2
107	Sliding support baffle plate	2
108	Socket head bolt M8 x 20	2
N1	Shroud - L	1
N2	Shroud - R	1
N3	Fan cover - L	1
N4	Fan cover - R	1
N11	Screw 1/8 x 1/2"	18

CONNECTING TO A NETWORK

After assembling the rower, to connect to a network using an ethernet cable, simply plug in the ethernet cable into the ethernet port located at the rear of the touchscreen. To connect to a network using Wi-Fi, follow the instructions below:

- 1. Connect the rower to the power cable via the power plug located underneath the plastic of the flywheel. The touchscreen will power on automatically.**



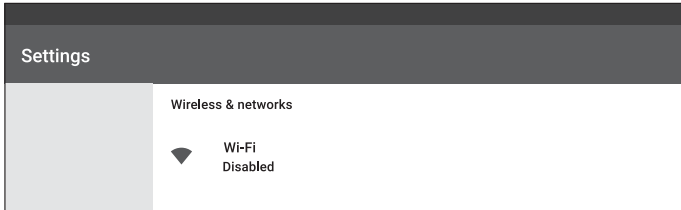
- 2 Select the gear icon located at the bottom left of the screen.**



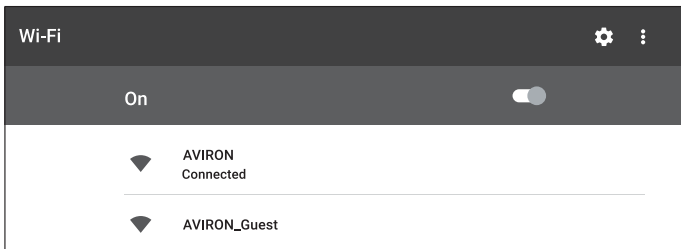
- 3. Select "SYSTEM SETTINGS"**



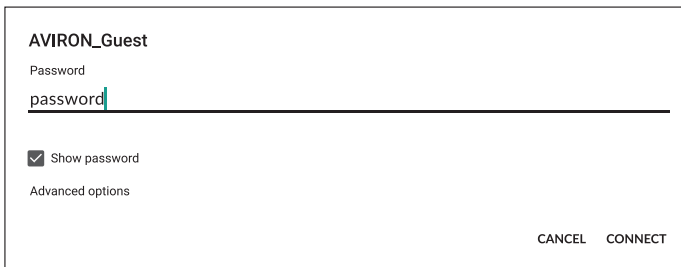
4. Select “Wi-Fi”



5. Enable Wi-Fi by switching the icon to the ON position.



6. Select your preferred Wi-Fi network and enter in the password.



ACCESSING ADMIN SETTINGS

To access admin settings, follow the instructions below:

1. **Select the gear icon located at the bottom left of the screen.**



2. **Select "ADMIN SETTINGS"**



● General Maintenance

After each workout or day of working out:

1. Turn off the equipment and wipe it down with a damp cloth.
2. Wipe down the beam with a damp cloth.

Every six months:

1. Inspect the poly-v drive belt for any damage. Trim any fraying at the edges of the belt with a sharp knife or scissors. The belt does not need to be replaced as minor fraying is normal.
2. Check to ensure all frame screws are tight and secured.
3. Turn off and unplug the equipment. Remove the shroud and vacuum any dust that may be trapped. Use a can of compressed air and blow out dust from hard to reach areas. Be careful not to damage any of the components.

● Aviron Terms and Conditions

General Policies

Aviron Interactive Inc. (“Aviron”) aims to satisfy you (the “customer”) completely. Plans and specifications are interpreted as required, but Aviron takes no responsibility that the information provided is suitable for the intended purpose. Aviron has a policy of equipment improvement and reserves the right to accept or refuse any order. All information supplied by Aviron is believed to be accurate, but Aviron is not liable for errors or misinterpretations.

Exclusion of Incidental, Consequential and Certain Other Damages

To the maximum extent permitted by applicable law, in no event shall Aviron or its suppliers nor anyone else involved in the production or delivery of this equipment be liable for any indirect, special, consequential, punitive or incidental damages whatsoever (including, but not limited to, damages for loss of profits or loss of data or confidential or other information, for business interruption, loss of business information, and the like) arising out of or related to this agreement or the use or inability to use such equipment, the provision of or failure to provide support or other services, information, software and related content through the Aviron equipment or otherwise arising out of the use of the Aviron equipment, or otherwise under or in connection with any provision of this license, even in the event of the fault, tort (including negligence), misrepresentation, strict liability, breach of contract or breach of warranty of Aviron or any supplier, even if Aviron has been advised of the possibility of such damages. In no event shall Aviron’s liability hereunder, if any, exceed the purchase price paid by the customer for the Aviron equipment.

● Limited Warranty

Aviron warrants that the equipment will perform substantially as specified by Aviron for the period below parts and labor.

Series	IMPACT SERIES
Frame	10 Years
Touchscreen	2 Years
Limited Parts	2 Years

Warranty is applicable to factory and certified dealer repairs unless approved by Aviron. All equipment and parts in need of servicing must be repaired by a certified dealer or be shipped back to Aviron at the customer's expense to comply with the Aviron Limited Warranty unless approved by Aviron. Aviron is not obligated to provide the customer with a substitute during the warranty period or at any time. The equipment is automatically registered after activating it on the Aviron network. Aviron will not be responsible for dismantling, reassembly or reinstallation charges.

To obtain service you must:

- Contact our support department if you are having trouble with your equipment. Aviron equipment or parts may not be returned without written permission from Aviron.
- Arrange for delivery of your Aviron equipment or parts to Aviron's premises.
- All shipments must be shipped prepaid, insured and properly packaged, preferably in the original packaging and accompanied by a letter outlining the defect.

● Terms and Conditions

1. The warranty applies to the Aviron equipment only while it remains in the possession of the original customer or company who has registered the equipment.
2. The warranty applies to the Aviron equipment only while the serial number is clearly identifiable and has not been altered.
3. The warranty does not cover damage, failure, operational noise or irregular performance caused by electrical wiring not in compliance with electrical codes, user manual specifications, accident, misuse, abuse, improper installation, improper service, alignment or calibration or unapproved modification, failure to perform general maintenance.

4. This warranty does not cover general wear on parts such as belts, seat coverings and wheels.

5. This warranty does not cover general wear on consumables and cosmetic items, including but not limited to the following: foot rails, grips, stickers, and labels.

6. If the customer believes that the equipment is defective in material or workmanship, then written notice with an explanation of the claim shall be given promptly by customer to Aviron but all claims for warranty service must be made within the warranty period. No repair or replacement of any equipment or part thereof shall extend the warranty period as to the entire equipment. The specific warranty on the repaired part only shall be in effect for a period of ninety (90) days following the repair or replacement of that part or the remaining period of the equipment parts warranty, whichever is greater.

7. The customer's exclusive remedy and Aviron's sole obligation is to supply (or pay for) all labor necessary to repair any equipment found to be defective within the warranty period and to supply, at no extra charge, new or rebuilt replacements for defective parts. If repair or replacement fails to remedy the defect, then, and only in such event, shall Aviron refund to the customer the purchase price for such equipment. The customer's failure to make a claim as provided in paragraph 1 above or continued use of the equipment shall constitute an unqualified acceptance of such equipment and a waiver by the customer of all.

8. The customer's dated bill of sale must be retained as evidence of the date of purchase and to establish warranty eligibility.

Contact Information

Aviron Interactive Inc.

780 Birchmount Rd. Unit 16
Toronto, Ontario
M1K 5H4, Canada

Phone: 877.955.4222

General Email: info@avironactive.com

Support Email: support@avironactive.com

www.avironactive.com