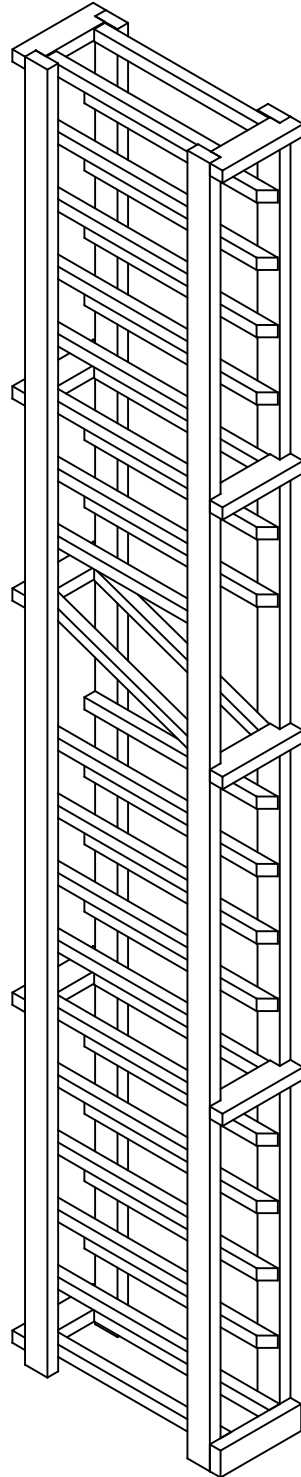


Designer Series

Rev.5/27/08

Individual 1 Column Display



Wine Cellar Innovations
4575 Eastern Avenue
Cincinnati, Ohio 45226

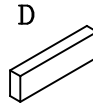
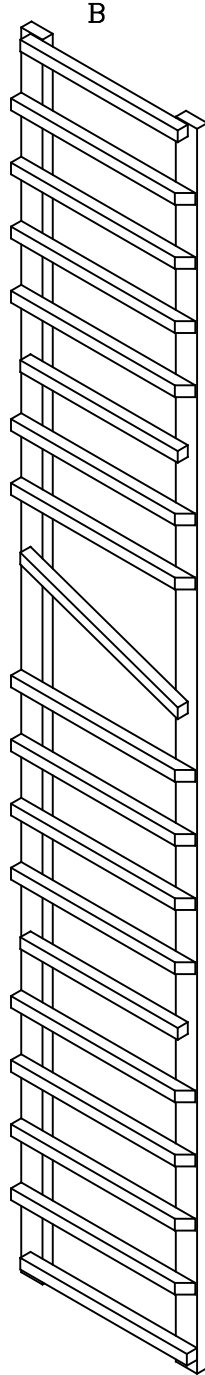
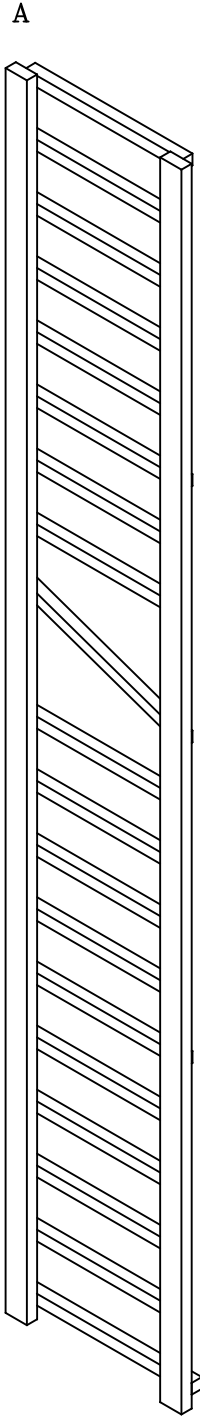
Phone: (800) 229-9813
Fax: (513) 979-5280
www.winecellarinnovations.com

Individual 1 Column Display

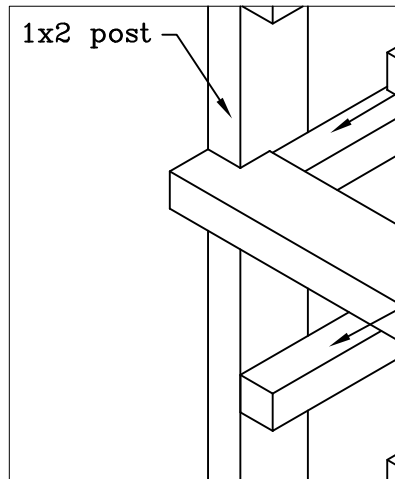
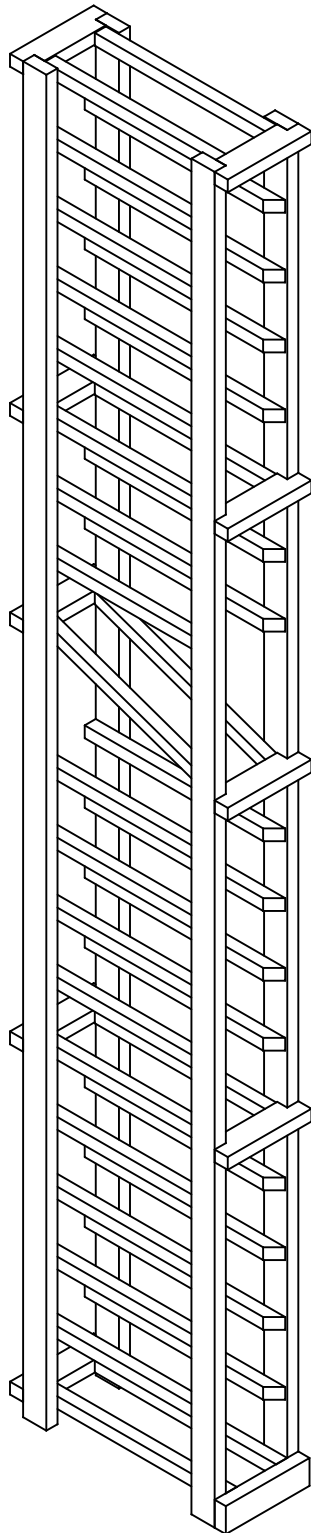
Rev. 5/27/08

Parts List

#	qty.	description
A	1	Left
B	1	Right
C	9	Spacer Bars
D	1	Sq. Cut Base
*	1	Bag of Nails
*	1	Hardware Pack containing 1 angle bracket 1 plastic anchor 1 1" #8 screws 1 5/8" #6 screws



1. Attach (9) spacer bars to racks with nails
This can be done with the provided nails or with a brad nailer.



1x2 post

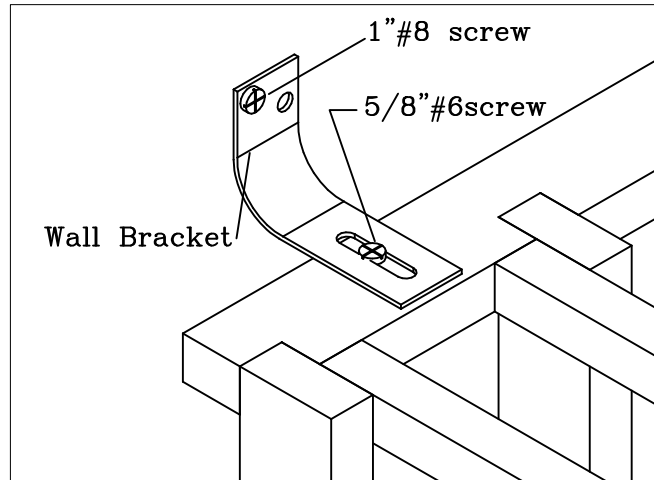
1x1 rails recessed to accept spacer bars.

1x1 rails between spacer bars are not recessed.

Attach sq. cut base

Note: sq. cut base will not be used if additional base kit is purchased

2.



Secure rack to wall by attaching wall bracket to top back spacer bar.

Individual 1 column display assembly complete.

always remove bottles before moving racks.