



Attaching the Caster Kit to the Island Display Rack (IDR)

Wine Master Cellars • 10645 E 47th Ave, Denver, CO 80239 • phone: 866.650.1500 • fax: 866.650.1501
Please feel free to contact us regarding the assembly of this product.

Each Caster kit contains:

- 4 Lock Washers
- 3 Nuts & Bolts
- 14 Washers
- 2 Caster Kit X-Brace Pieces
- 8 Self-Drilling Screws
- 4 Casters

Before starting, open all Packaging for the Caster Kit and take inventory to make sure you have everything.

Tools Needed:

- Adjustable Wrench or Open End Wrench
- Phillips Head Power Screwdriver

Caster Installation Instructions

1. Attach Casters to the IDR Upright

1.1 Lay the fully assembled IDR on its side with one of the IDR Uprights to the ground.

1.2 Place a lock washer over the stud on the caster and thread the caster stud into the bottom of the IDR Upright through the reinforcement plate and fully tighten it with an open end wrench.

1.3 Repeat step 1.2 for the remaining 3 corners of the IDR Uprights.

NOTE: It is critical to install the X-Brace to the IDR before loading or rolling the IDR once the Casters have been attached.

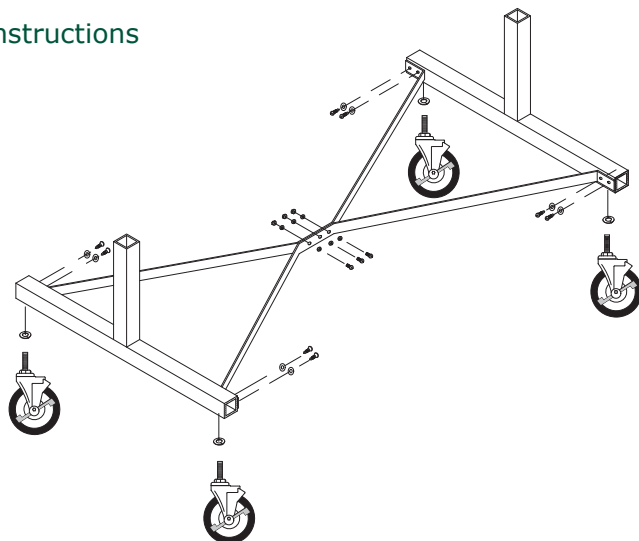
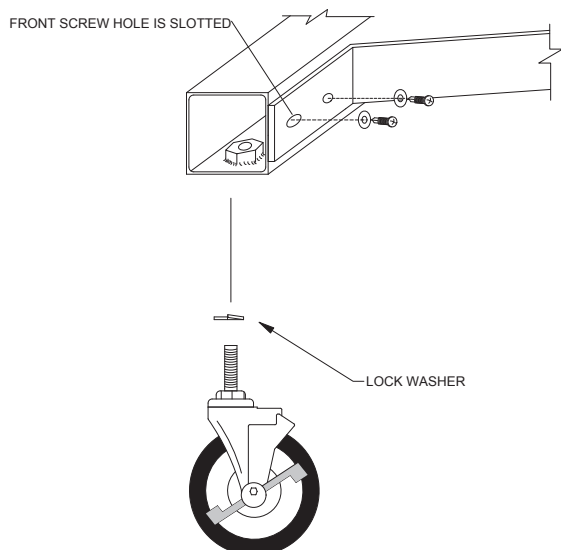
2. Create the X-Brace Assembly

2.1 Align the 3 holes at the center of the 2 X Brace Pieces so that they form an "X".

2.2 Place a Washer onto a Bolt and insert through both X-Brace Pieces in the center X-Brace hole. Then place a washer and thread a nut to the bolt from the other side. Do Not Fully Tighten.

2.3 Repeat 1.2 for the other 2 holes in the X-Brace Assembly.

2.4 Fully tighten all three bolts with a Wrench and Phillips Head Screwdriver.



3. Attach the X-Brace Assembly to the Base of the IDR

3.1 Hold the X-Brace Assembly between the IDR Uprights, as shown above. Align the outside ends of the X-Brace with the outside end of the Upright, centered vertically on the cross bar, as shown to the left.

3.2 Thread a Washer onto a Self-Drilling Screw and insert the Screw into one of the elongated holes on the end of the X-Brace and screw it into the Upright. Do Not Fully Tighten.

NOTE: There are not pre-drilled holes in the upright, so the self-drilling screws will drill through the side of the upright leg.

3.3 Repeat Step 3.2 on the opposite corner and then the remaining 2 corners.

3.4 Make sure the ends of the X-Brace are flush with the ends of the Upright and fully tighten the Self-Drilling Screws in the elongated holes.

3.5 Thread a washer onto a Self-Drilling Screw and insert the Screw into a round hole on an X-Brace end and Screw it into the Upright. Fully tighten.

3.6 Repeat step 3.5 for the 3 remaining round holes in the X-Brace.

3.7 Stand the IDR with the installed Caster Kit upright as it is ready to use.

NOTE: There is a brake on each Caster with an on/off switch. Engage the brake by pushing the lever with the word "ON" down. To disengage the brake, push the lever with the word "OFF" down.

Periodic Maintenance: The casters must be regularly inspected for signs of wear and to ensure they remain tightly threaded into the uprights. Immediately tighten any casters found to be loose, as failure to do so may result in catastrophic failure of the caster and damage to or loss of contents on the rack.