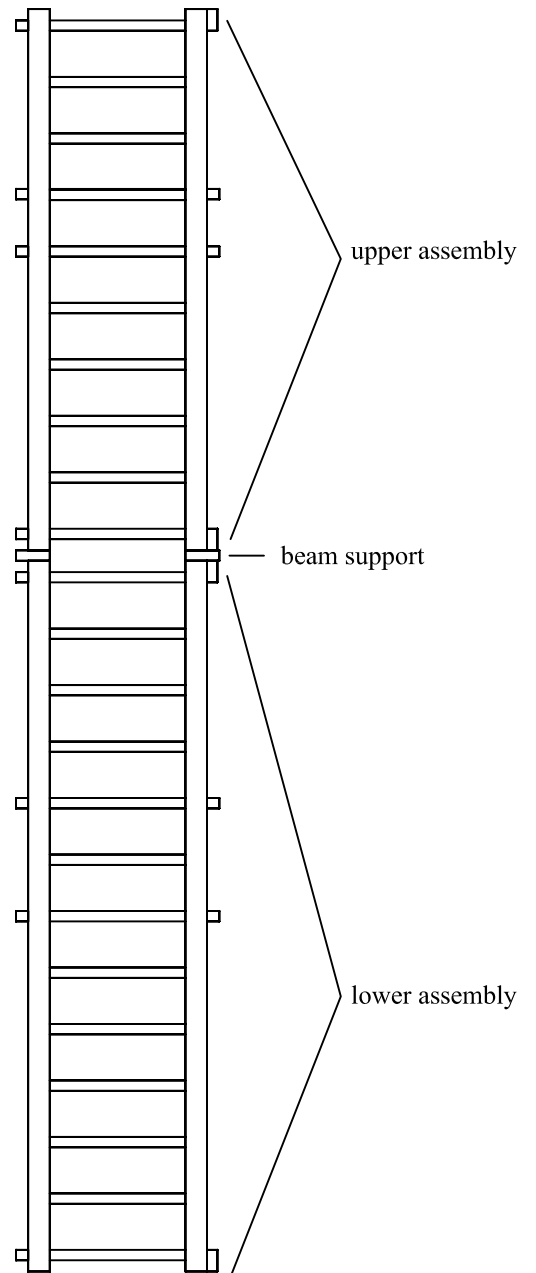
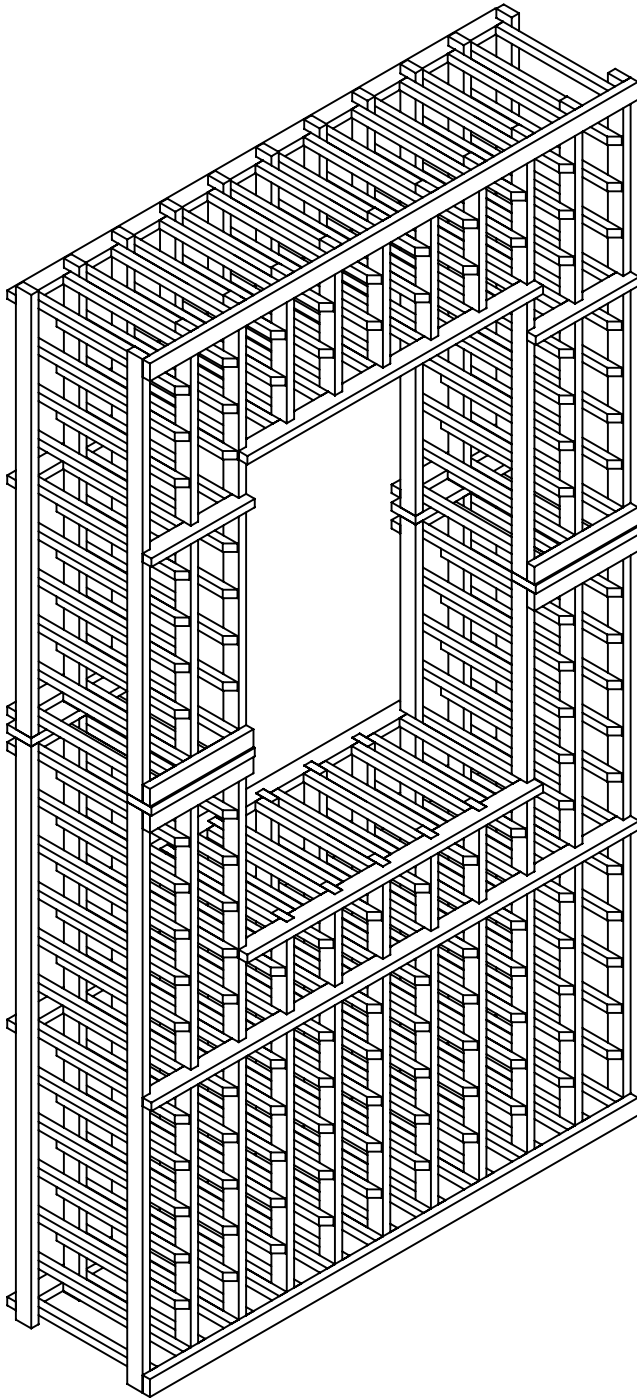


Vintner Series

Rev.6/13/08

VIN7-INDGT



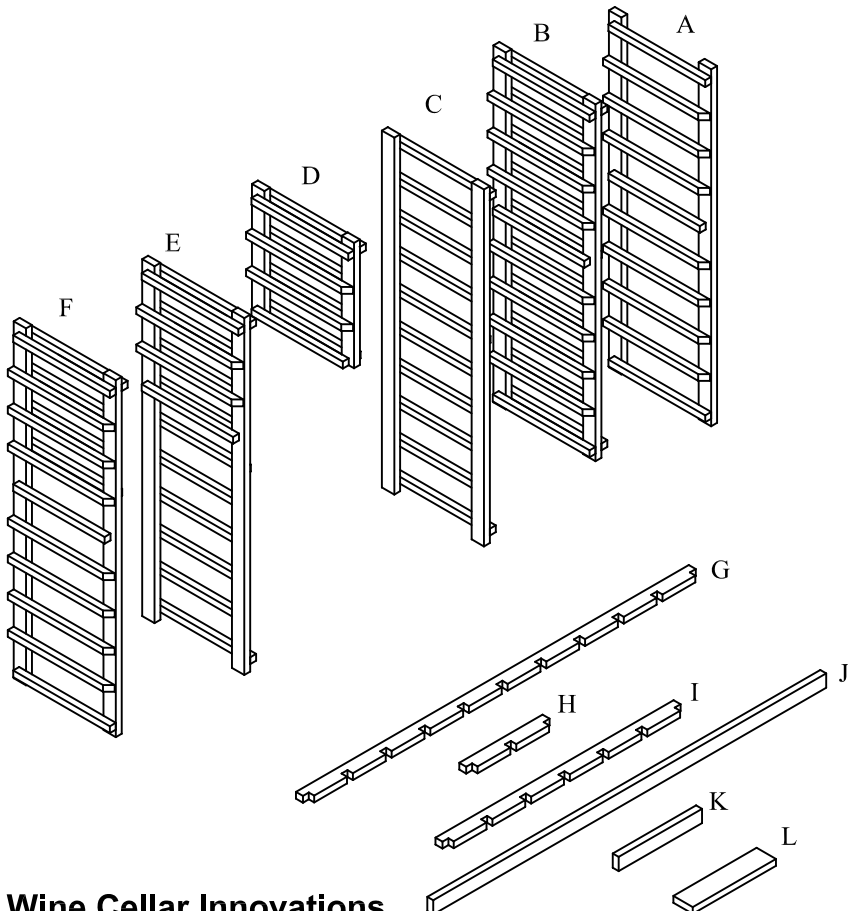
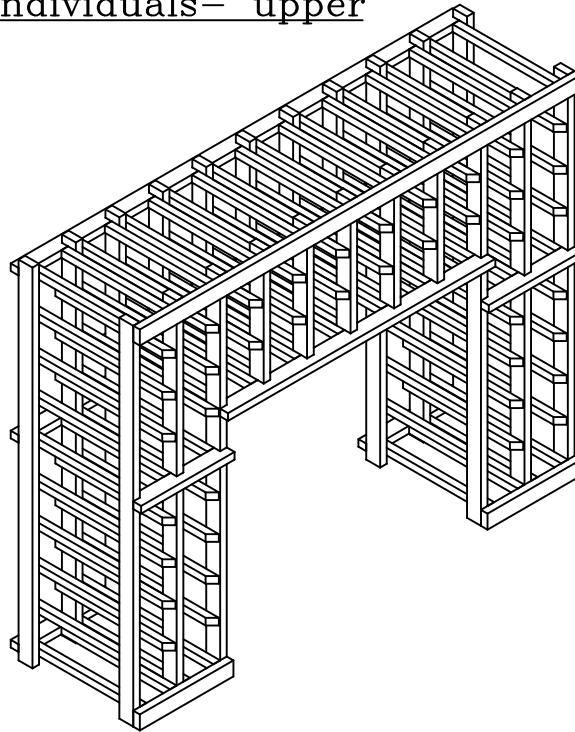
Wine Cellar Innovations
4575 Eastern Avenue
Cincinnati, Ohio 45226

Phone: (800) 229-9813
Fax: (513) 979-5280
www.winecellarinnovations.com

Vintner Series

Rev: 1/21/09

Individuals- upper



Parts List

#	qty.	description
A	1	Right Rack
B	2	Double #1 Racks
C	1	Left Rack
D	5	Double #2 racks
E	1	Common#1 Rack
F	1	Common#2 Rack
G	1	11 Notch spacer bars
H	6	3 Notch spacer bars
I	2	7 Notch spacer bars
J	1	Top Trim
K	2	Bottom Trim
L	4	Stackable Beam Supports
*	1	Bag of nails
*	1	Hardware Pack containing 2 1" Corner Brace 2 plastic anchors 2 1" #8 screws 2 5/8" #6 screws

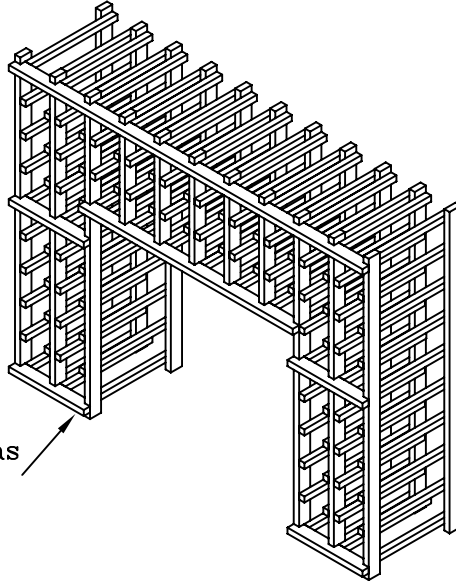
Wine Cellar Innovations
4575 Eastern Avenue
Cincinnati, Ohio 45226

Phone: (800) 229-9813
Fax: (513) 979-5280
www.winecellarinnovations.com

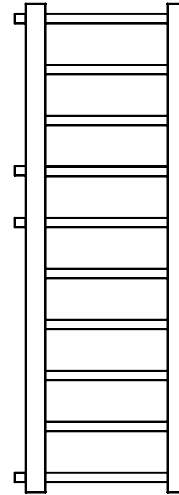
1. Attach (6) spacer bars to the back of the racks with nails.

The top spacer bar should have a nail through each spacer bar notch. The 7-notch spacer bar only needs nails through the end and one middle notch. The remaining spacer bars only need a nail through the end notches. This can be done with the provided nails or with a brad nailer.

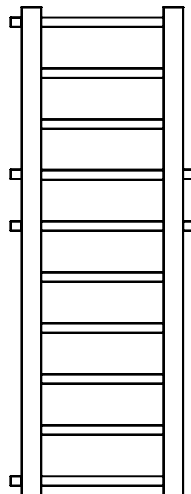
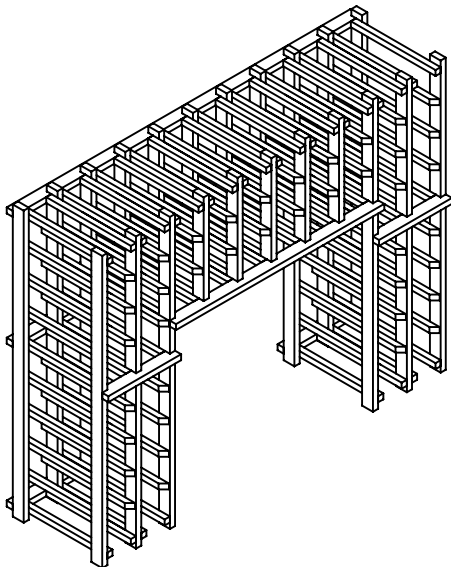
This spacer bar only should receive nails in every notch.



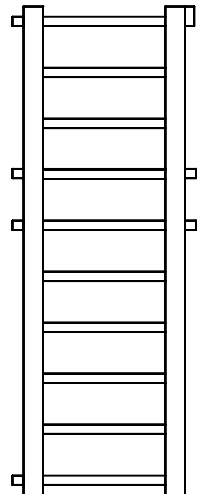
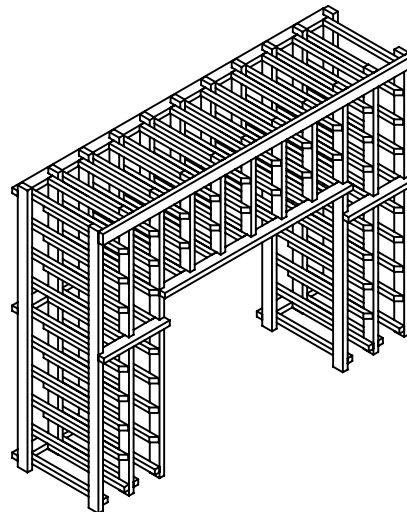
The back of the rack has all square cut rails, the front will be beveled. Rails are recessed where spacer bars are to be placed.



2. Attach 7-notch spacer bar to the front of the racks by nailing through each end and middle notch. Remaining spacer bars only need nails through end notches.



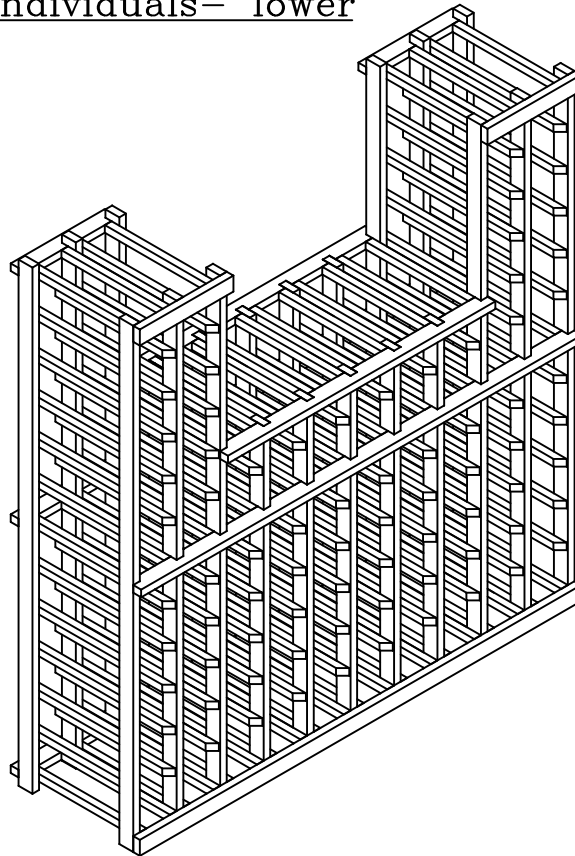
3. Attach top trim to front of racks with nails provided.



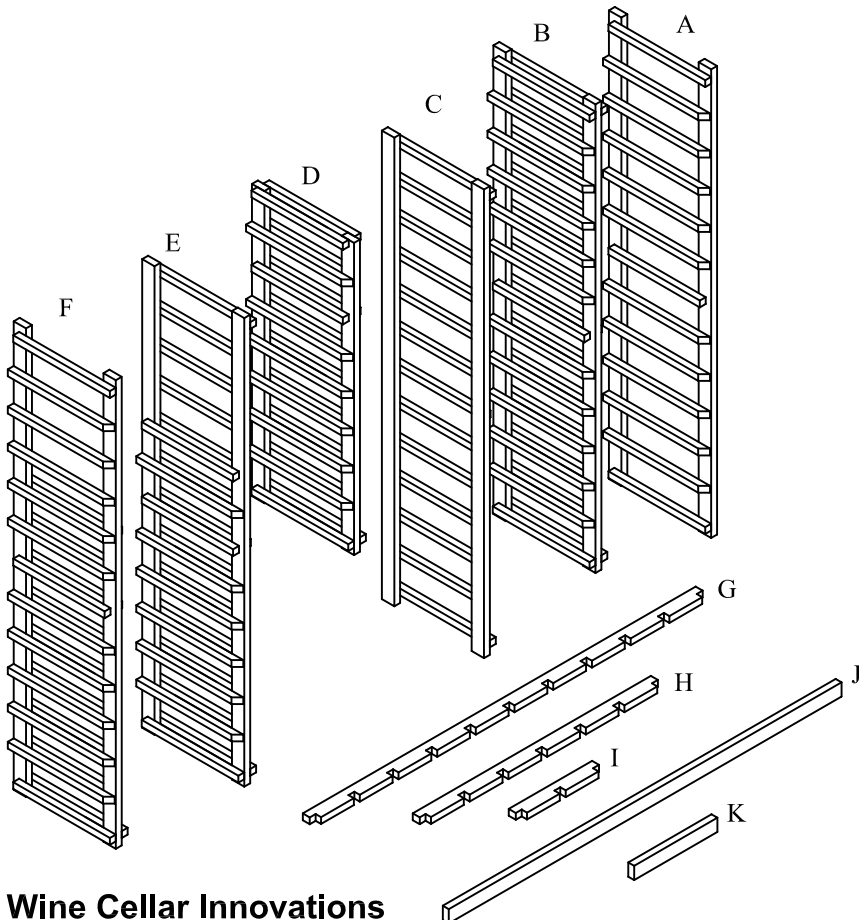
Vintner Series

Rev: 4/8/08

Individuals- lower



Parts List



#	qty.	description
A	1	Right Rack
B	2	Double #1 Racks
C	1	Left Rack
D	5	Double #2 racks
E	1	Common#1 Rack
F	1	Common#2 Rack
G	3	11 Notch spacer bars
H	2	7 Notch spacer bars
I	2	3 Notch spacer bars
J	1	Bottom Trim
K	2	Top Trim
*	1	Bag of nails
*	1	Hardware Pack containing 2 1"Corner Brace 2 plastic anchors 2 1"#8 screws 2 5/8"#6 screws

Wine Cellar Innovations
4575 Eastern Avenue
Cincinnati, Ohio 45226

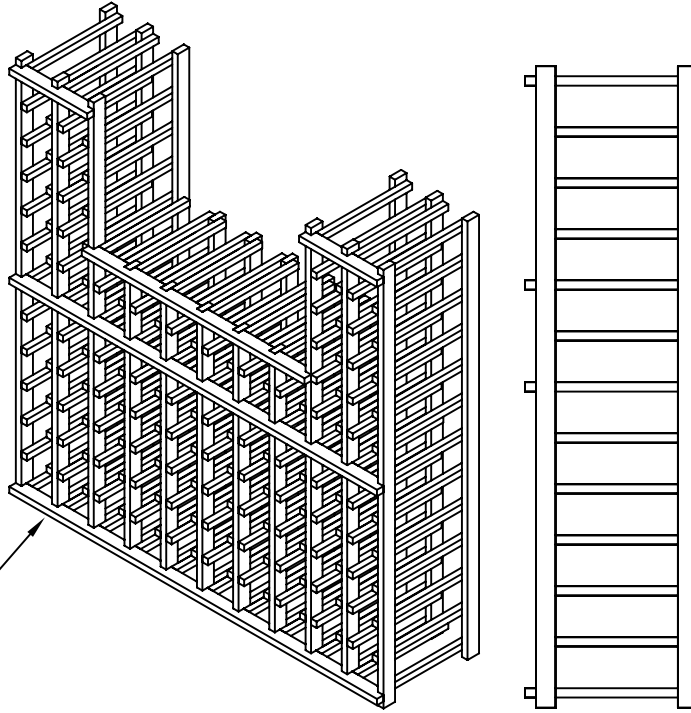
Phone: (800) 229-9813
Fax: (513) 979-5280
www.winecellarinnovations.com

1. Attach (5) spacer bars to the back of the racks with nails.

The bottom spacer bar should have a nail just on each end and the middle notch, the middle 11 notch spacer bar gets a nail in each notch, the 3 and 7 notch spacer bars should have a nail in each end notch. This can be done with the provided nails or with a brad nailer.

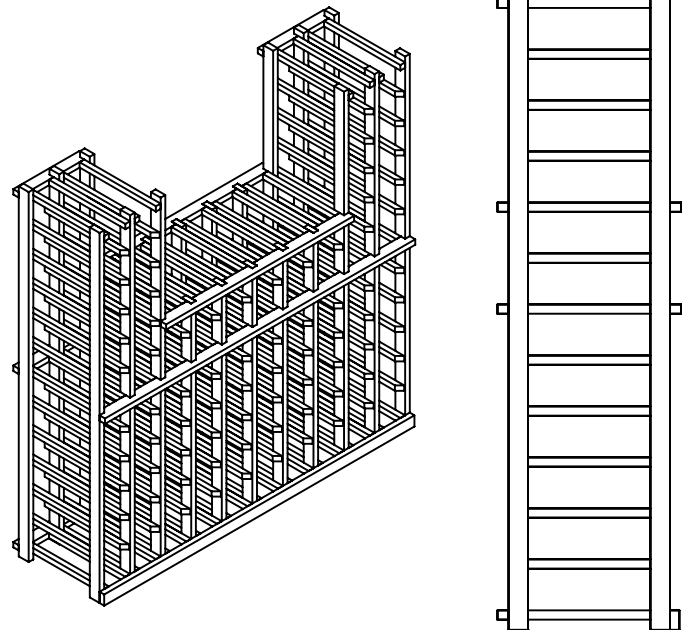
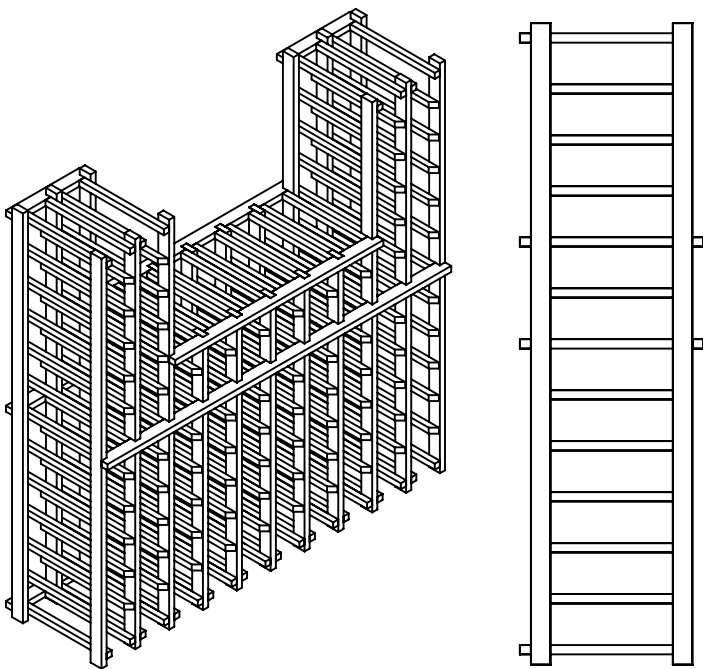
This spacer bar only should receive nails in every notch.

The back of the rack has all square cut rails, the front will be beveled. Rails are recessed where spacer bars are to be placed.



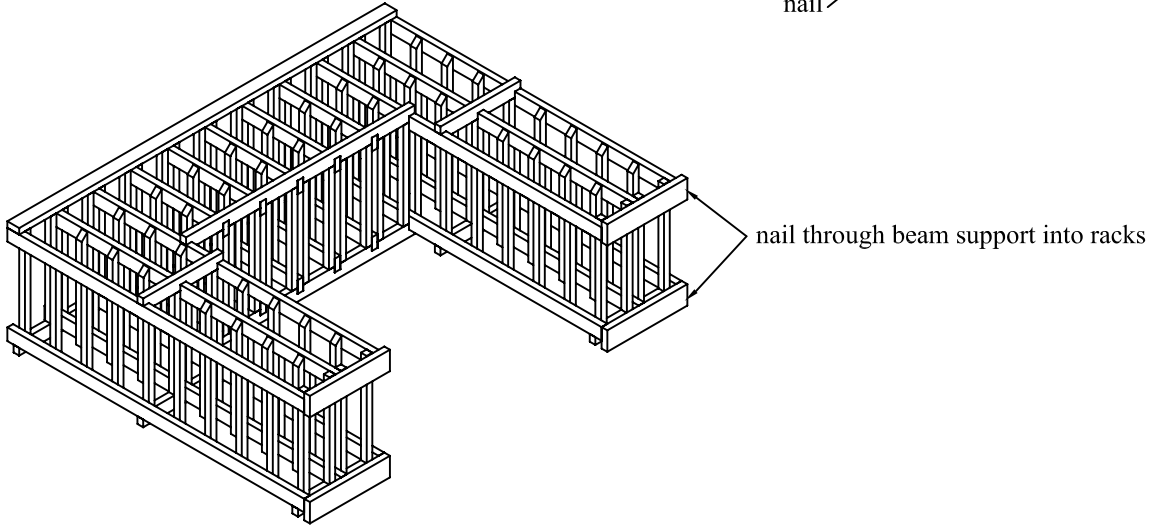
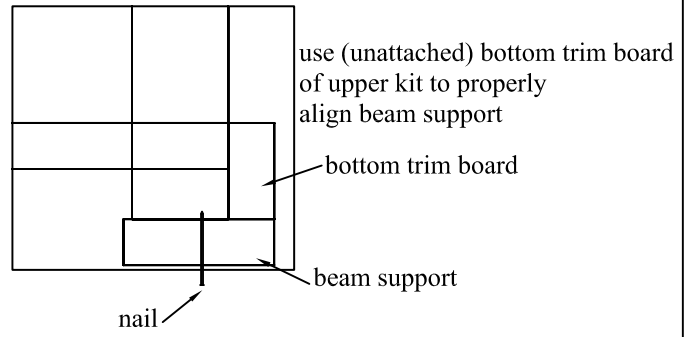
2. Attach 2 spacer bars to the front of the racks by nailing on the ends as well as the middle notch for the 11 notch spacer bar.

3. Attach bottom trim to front of racks with nails provided.



4.

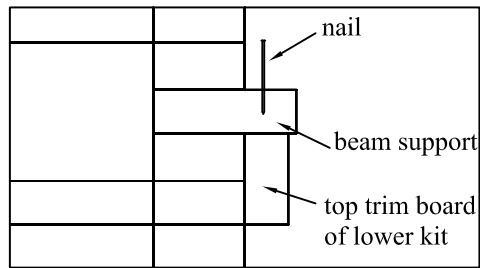
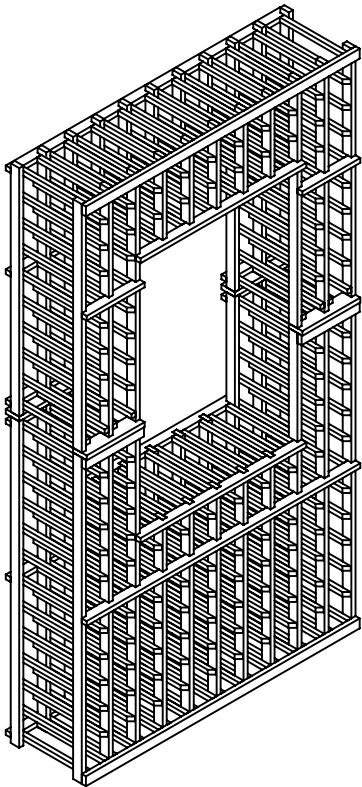
Attach stackable beam supports to bottom of upper kit.



5.

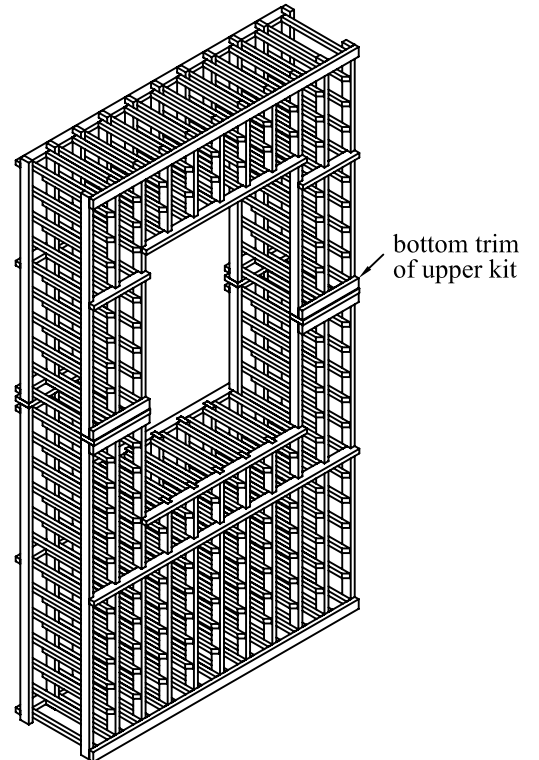
Place upper kit on top of lower kit.

Nail through front beam support into top trim of lower kit. Note: you do not need to nail through back beam support.



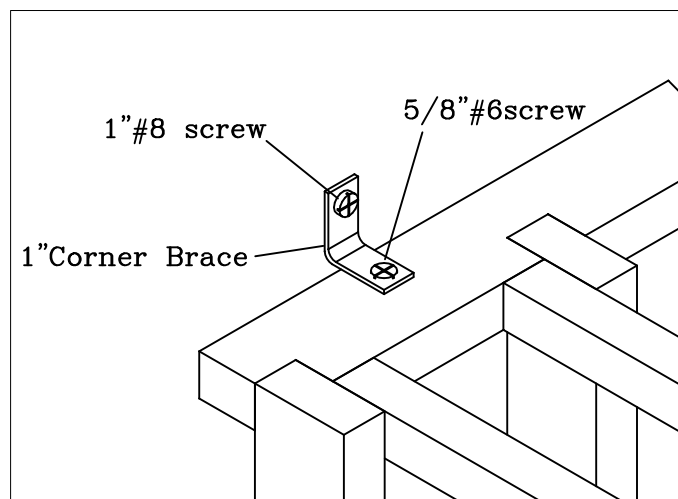
6.

Attach bottom trim of upper kit to racks with nails provided.



Final Step

Securing to wall



Note: due to ceiling height restrictions it may be necessary to attach Corner brace on under side of Spacer bar.

Secure rack to wall by attaching 1" corner brace to top back spacer bar (or solid top) of unit. You will have 1 brace on the left and 1 on the right.

If you are securing a kit that is stacked on top of another unit follow the instructions for installing trim kit before attaching to wall.

Attach the corner braces to one of the middle spacer bars, if you have a bin unit or diamond cube unit that will have other racks stacked on top of it.