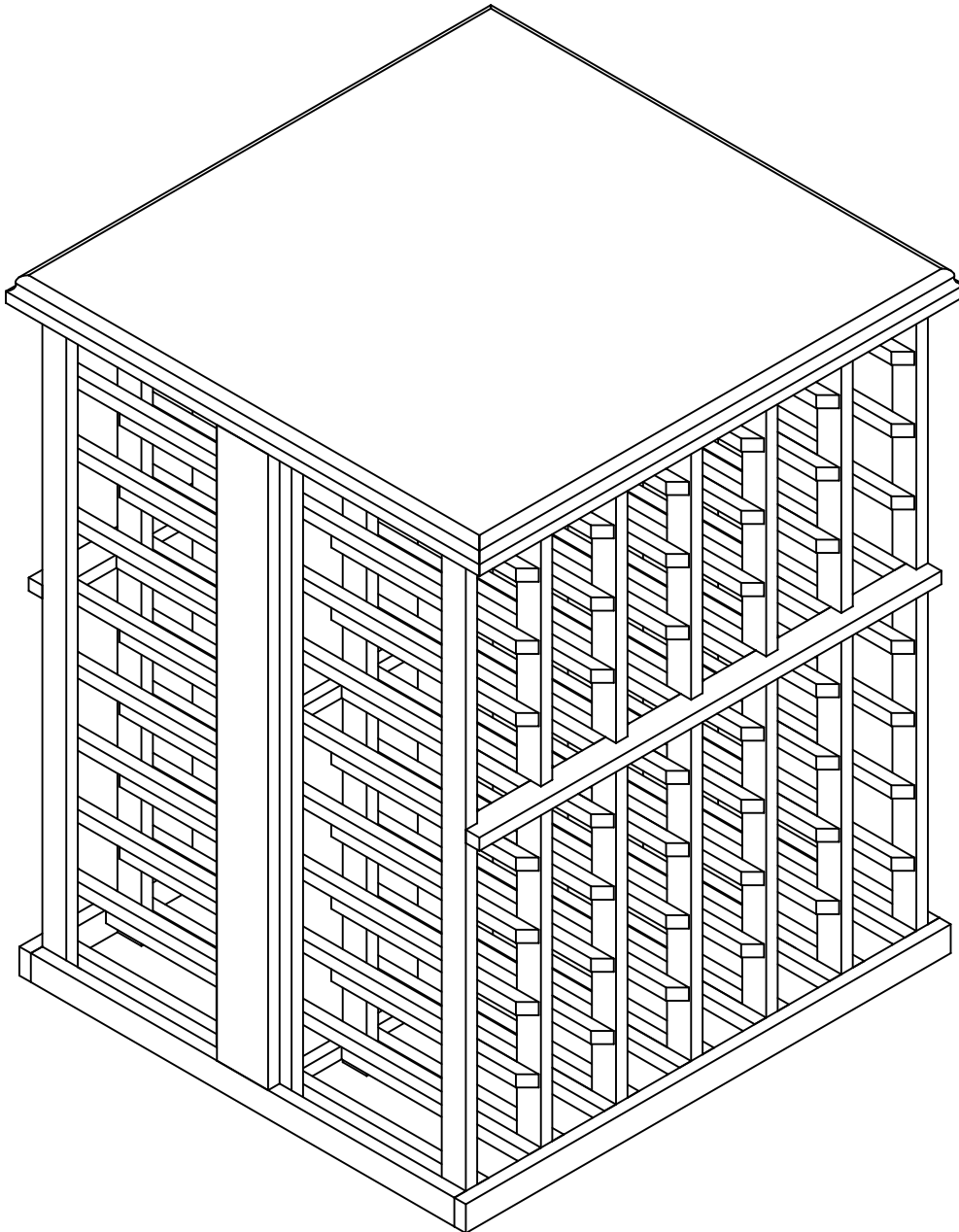


# Designer Series

Rev. 5/29/08

DR/DM/D0108 Bottle Table



**Wine Cellar Innovations**  
4575 Eastern Avenue  
Cincinnati, Ohio 45226

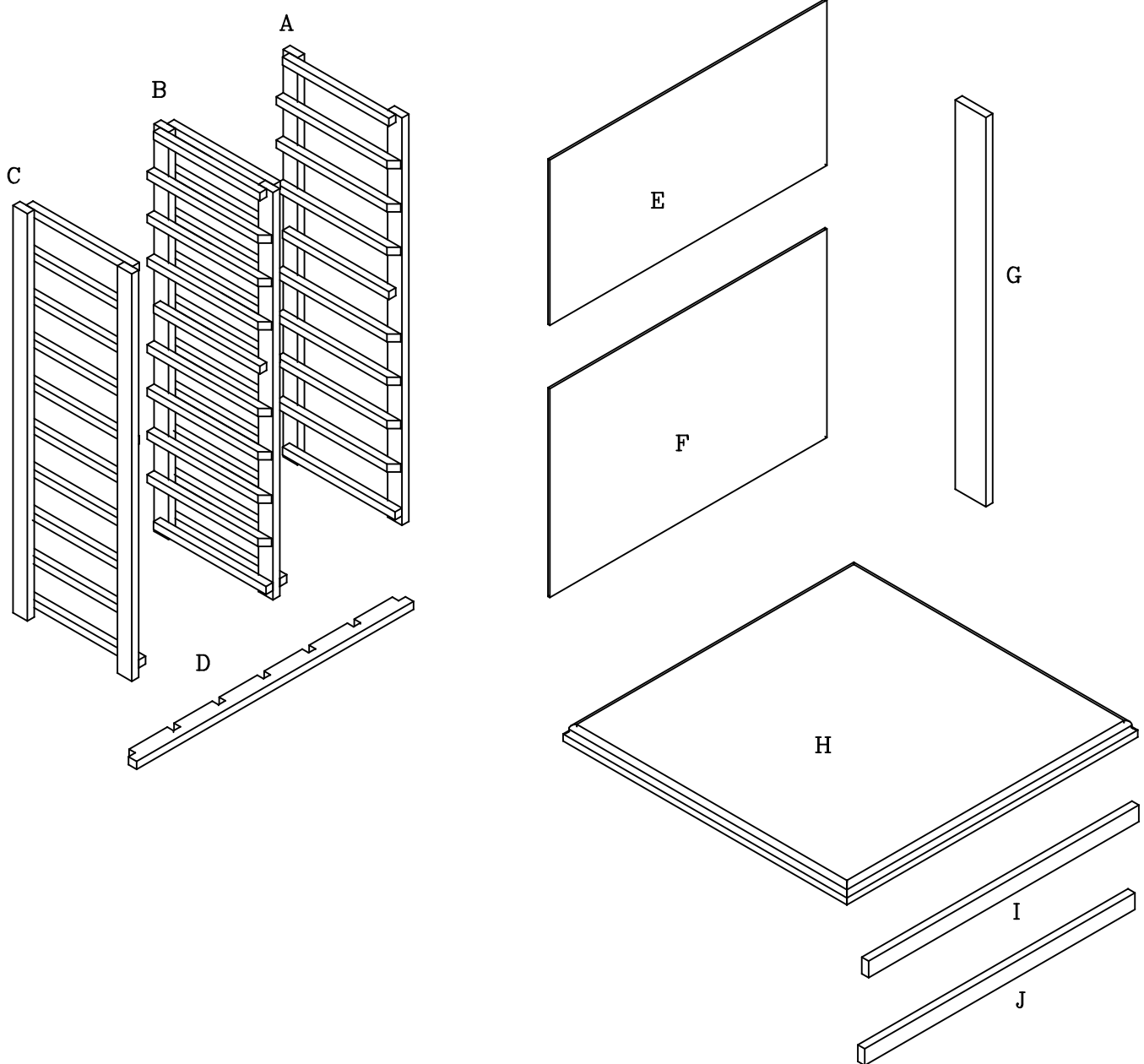
Phone: (800) 229-9813  
Fax: (513) 979-5280  
[www.winecellarinnovations.com](http://www.winecellarinnovations.com)

# 108 Bottle Table

Rev. 5/29/08

## Parts List

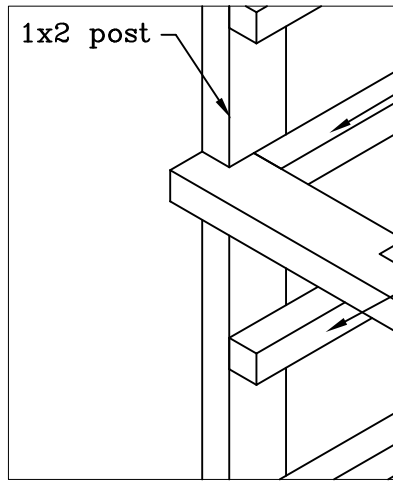
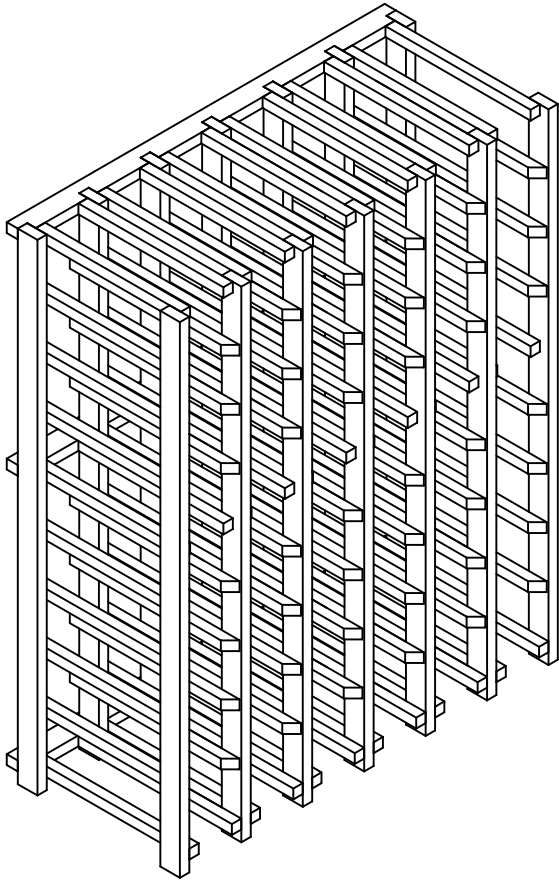
#	qty.	description
A	2	Lefts
B	10	Doubles
C	2	Rights
D	10	Spacer Bars
E	2	1/4" Ply Back
F	2	1/4" Ply Back
G	2	Side Panel
H	1	Table Top
I	2	Side Trim
J	2	Front Trim
*	6	1" #8 Screws
*	1	Bag of Nails



1.

Attach (3) spacer bars to the back of the racks with nails.

Top & bottom spacer bars should have a nail just on each end, the middle spacer bar should have a nail in each notch. This can be done with the provided nails or with a brad nailer.

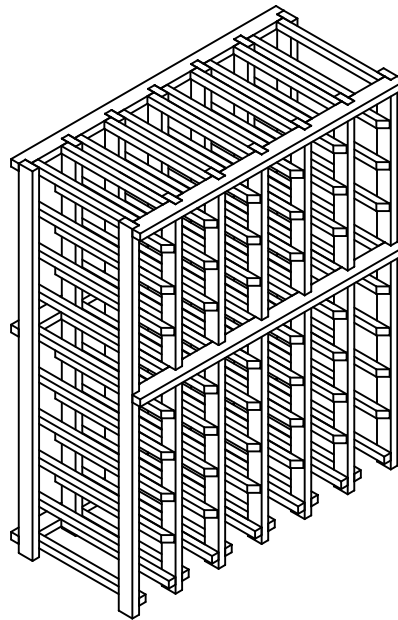


1x2 post

1x1 rails recessed to accept spacer bars.

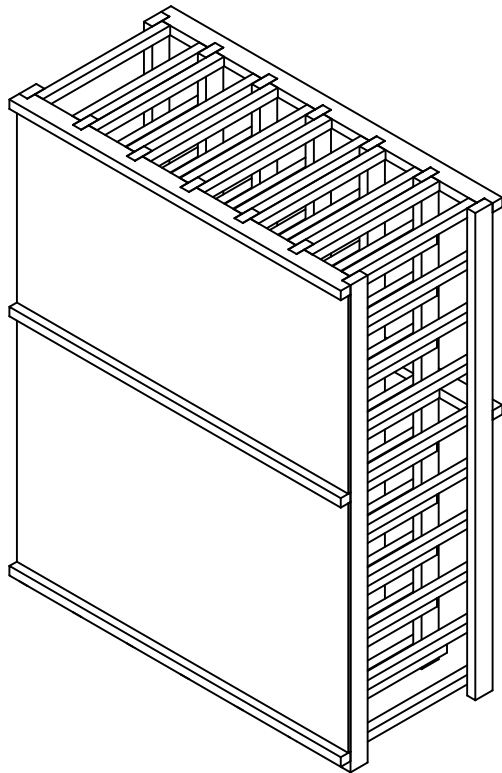
1x1 rails between spacer bars are not recessed.

2. Attach 2 spacer bars to the front of the racks. Nail through end notches into post.

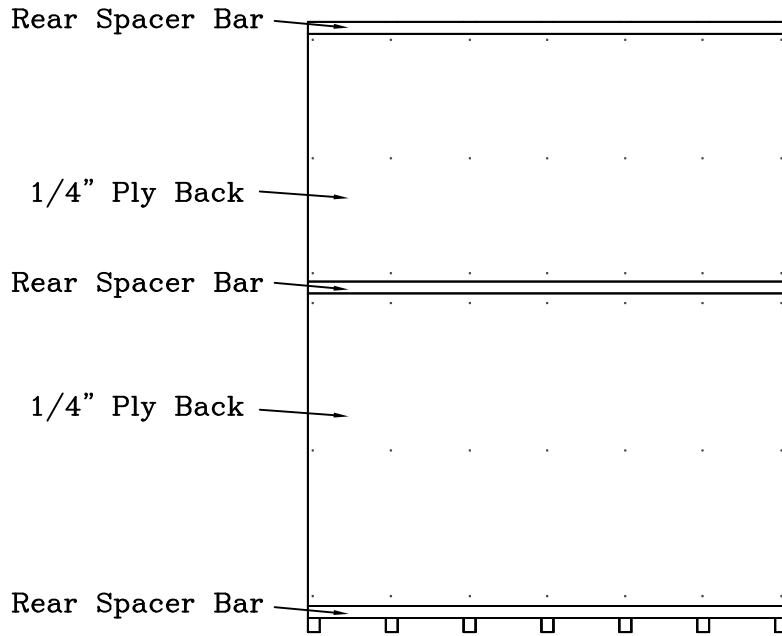


3.

Attach (2) 1/4" Ply backs to rear of racks.  
Top ply back is slightly shorter than bottom  
ply back.



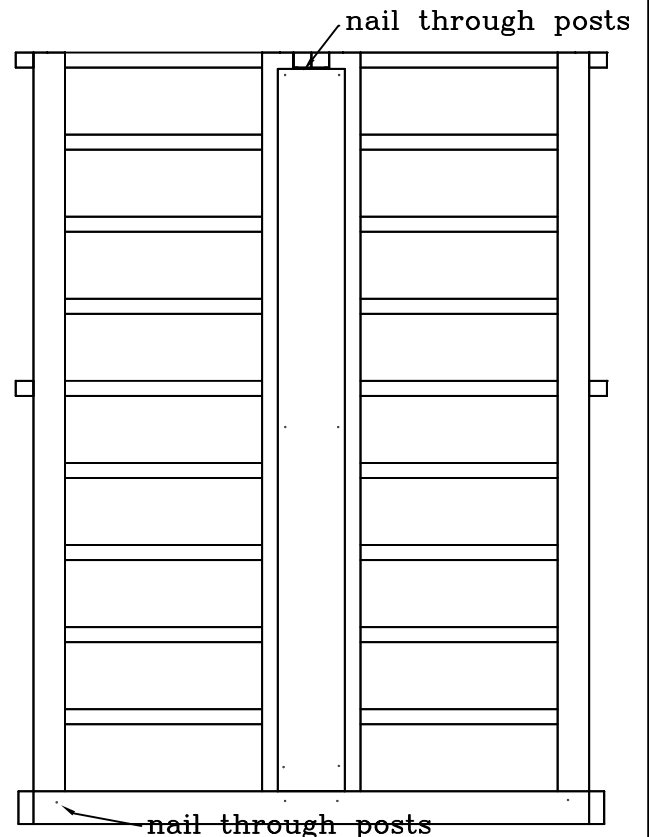
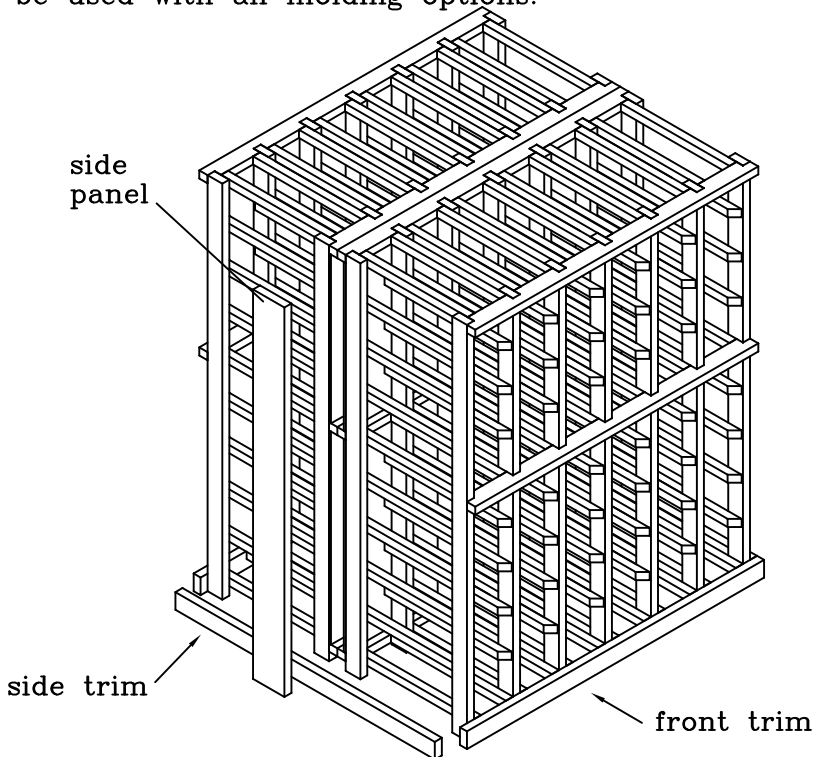
Backs fit in between rear spacer bars.  
Nail into racks (3) nails per post.



**\*\* Repeat Steps 1-3 for Remaining half of kit \*\***

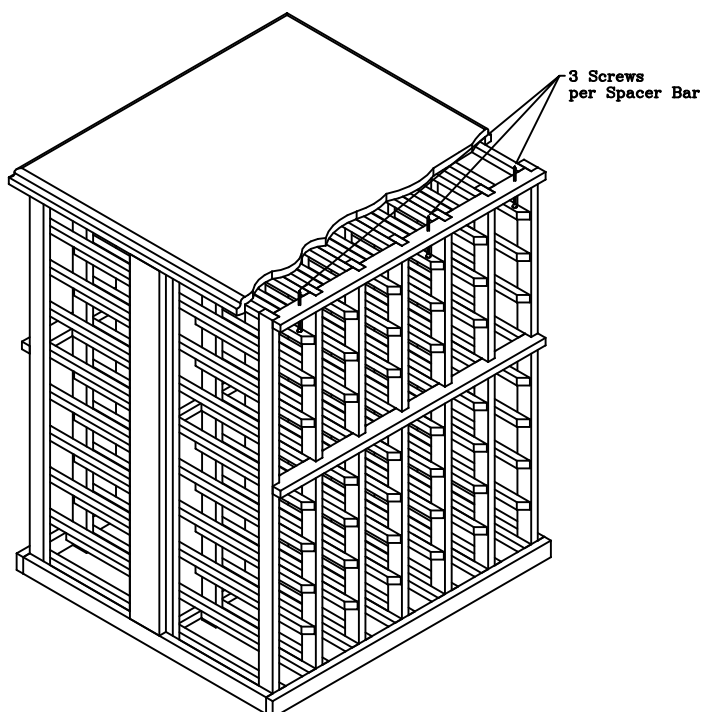
- 4. a. Attach side trim to bottom of racks by nailing through vertical posts.
- b. Attach side panels to racks by nailing through vertical posts.
- c. Attach front trim to racks by nailing through vertical posts.

NOTE: Front trim will not be used if additional moldings are purchased. Side trim and panel will be used with all molding options.



5.

Attach table top to kit by screwing up through top spacer bars with (6) 1" #8 black screws into table top.



Note: predrill spacer bar with a 1/8" drill bit to reduce risk of splitting wood.

108 Bottle Table Assembly complete.  
Always remove all bottles before moving  
kit.

Phone: (800) 229-9813  
Fax: (513) 979-5280  
[www.winecellarinnovations.com](http://www.winecellarinnovations.com)