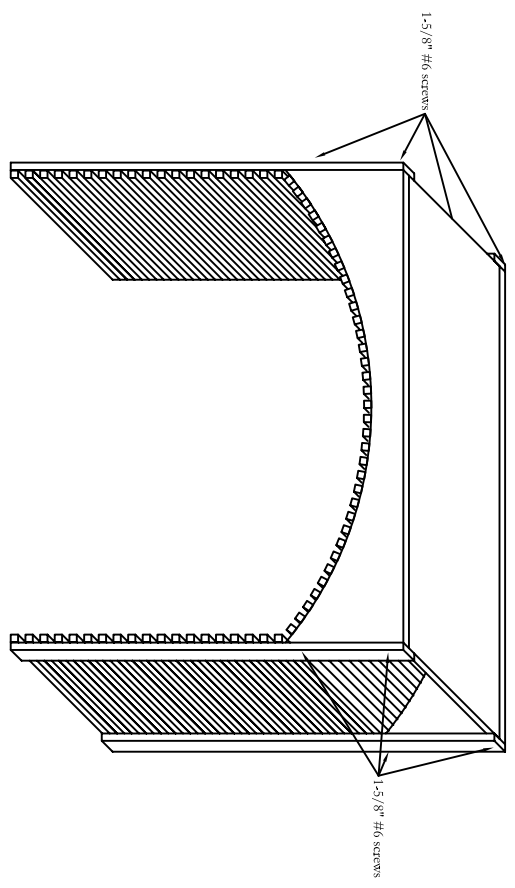


Vintner Series

1.

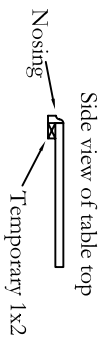
Attach sides to top with (4) 1 5/8" #6 screws per side



- 1 Archway
- 1 Table Top
- 12 1 5/8#6 screws

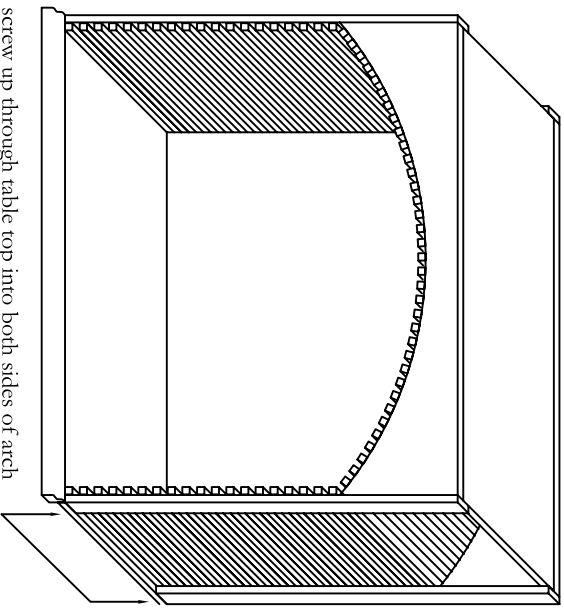
2.

Remove temporary 1x2 from backside of nosing.



3.

Secure archway to table top with (2) 1 5/8" #6 screws per side



screw up through table top into both sides of arch
place arch and table top onto assembled racking.

Wine Cellar Innovations

4575 Eastern Avenue
Cincinnati, Ohio 45226
Phone: (800) 229-9813
Fax: (513) 979-5280
www.winecellarinnovations.com