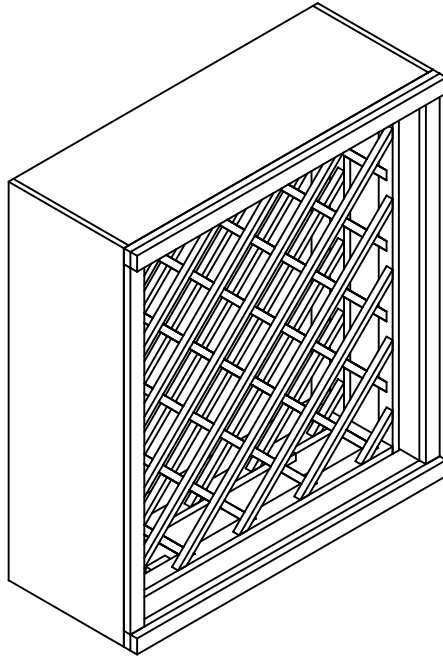


Vintner Series

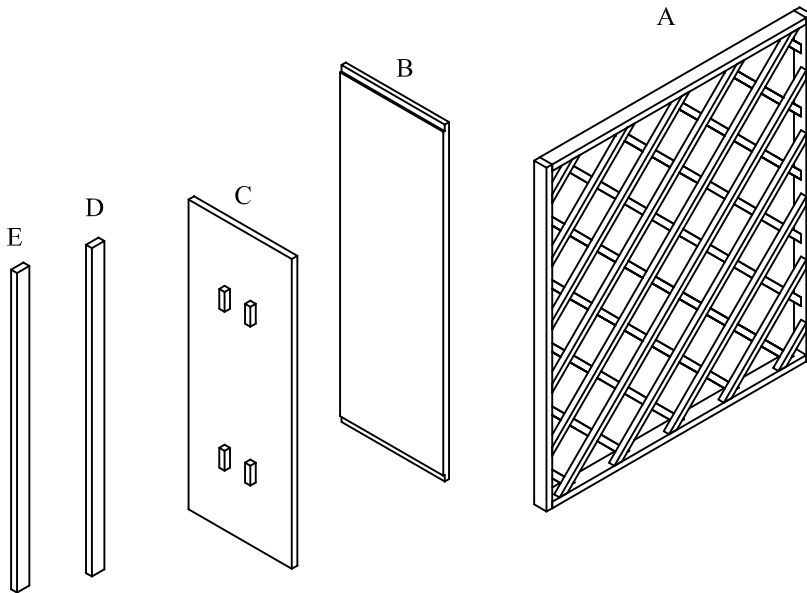
Rev. 6/12/08

Individual Diamond Bin

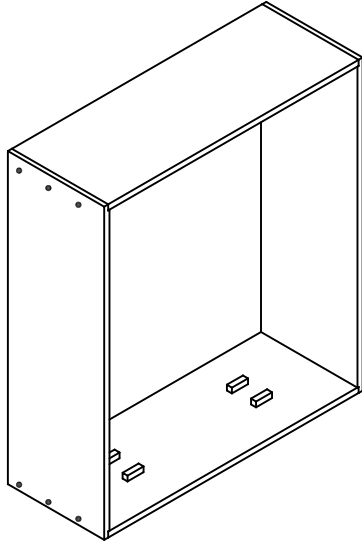


Parts List

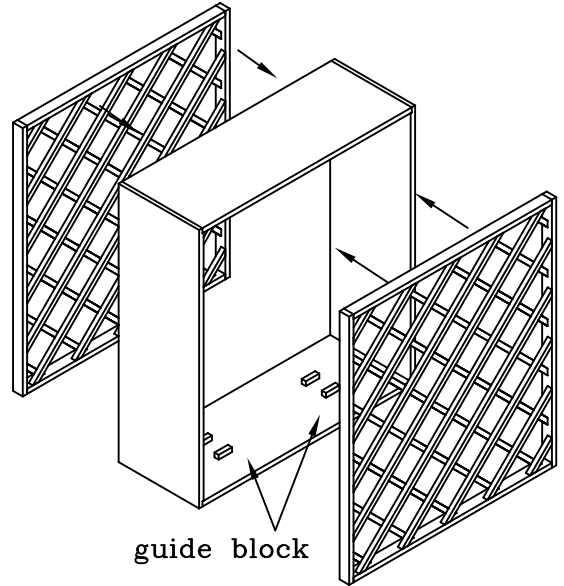
#	qty.	description
A	2	Diamond Grids
B	2	Sides
C	2	Top/ Bottom
D	2	Side Trim
E	4	(2 each)Top/ Bottom Trim
*	1	Screw driver bit
*	12	1 5/8" #6 Screws
*	12	1 1/4" #8 Screws
*	1	Bag of nails
*	1	Hardware Pack containing 2 1" Corner Brace 2 plastic anchors 2 1" #8 screws 2 5/8" #6 screws



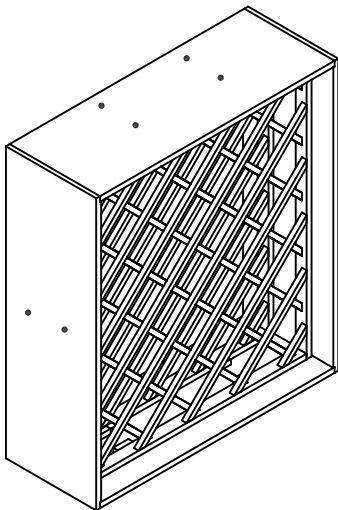
1. Attach top, bottom and sides together with 1 5/8" #6 Screws.



2. Insert diamond grids into front and back openings. Press into guide blocks.

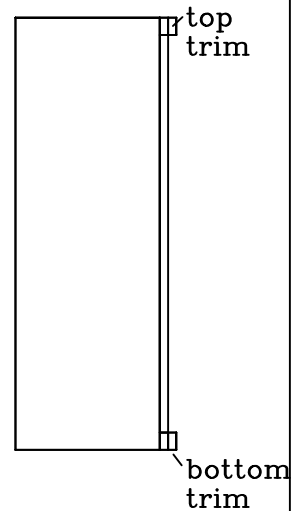
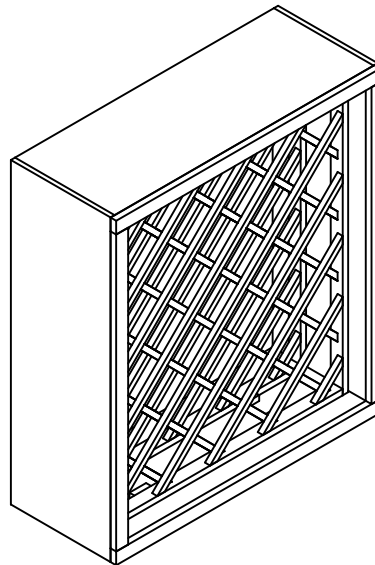


3. Secure diamond grids to top, bottom and sides with 1 1/4" #8 screws.



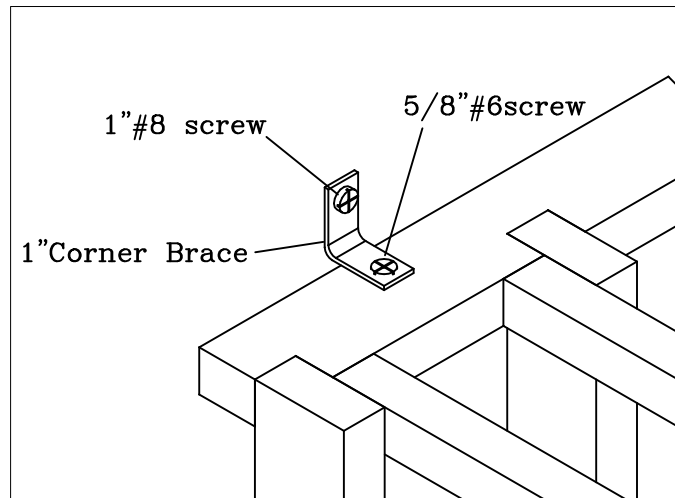
4. Attach top, bottom and side trim to unit. attach both sections of top trim with nails.

If kit is going to be stacked with another kit follow trim kit instructions before attaching second bottom trim piece. If not then attach second bottom trim piece with nails.



Final Step

Securing to wall



Note: due to ceiling height restrictions it may be necessary to attach Corner brace on under side of Spacer bar.

Secure rack to wall by attaching 1" corner brace to top back spacer bar (or solid top) of unit. You will have 1 brace on the left and 1 on the right.

If you are securing a kit that is stacked on top of another unit follow the instructions for installing trim kit before attaching to wall.

Attach the corner braces to one of the middle spacer bars, if you have a bin unit or diamond cube unit that will have other racks stacked on top of it.