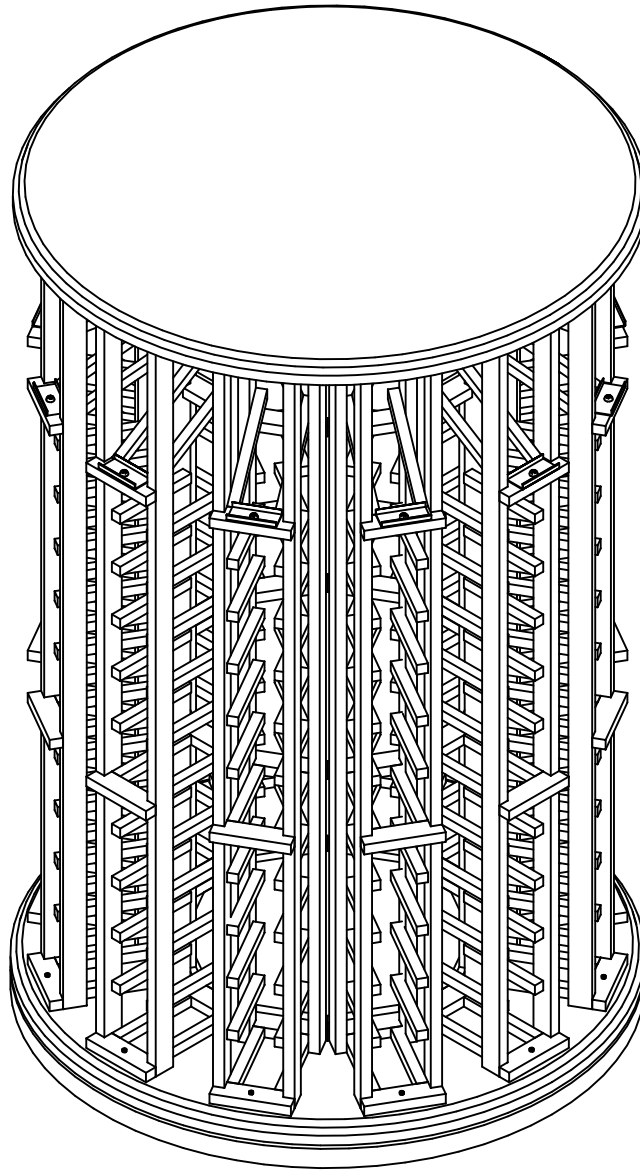


Commercial Display Racking

Wine Carousel

Rev. 4/16/10



Thank you for your purchase from Wine Cellar Innovations. In the manufacturing and packaging of your products numerous people have reviewed your order for accuracy and attention to detail. We believe this focus is what has made us the worldwide leader in wine storage products.

When assembling the products, please refer to the instructions provided and follow them closely. Always pre-drill pieces any time a screw will be used as a fastener. Redwood is a soft and beautiful wood species, but will split like all other wood types if placed under unusual stresses. The cellar has been engineered with the weight of the bottles factored into the layout, and will be capable of sustaining loads far greater than this when assembled correctly.

If you happen to break a piece during installation we will replace it for free. In such a situation, feel free to contact us Monday through Friday between 8am and 5pm Eastern time.

Wine Cellar Innovations
4575 Eastern Avenue
Cincinnati, Ohio 45226

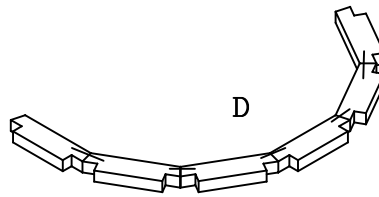
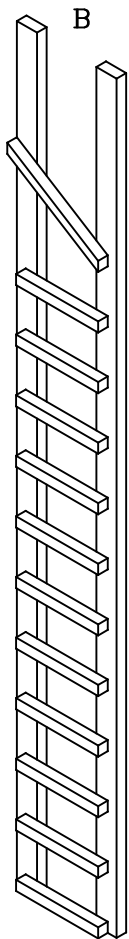
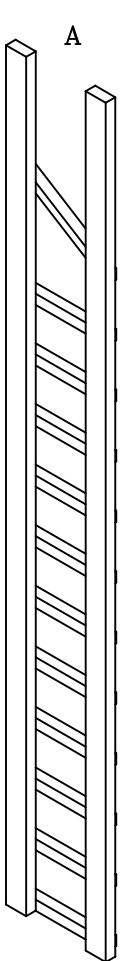
Phone: (800) 229-9813
Fax: (513) 979-5280
www.winecellarinnovations.com

Wine Carousel

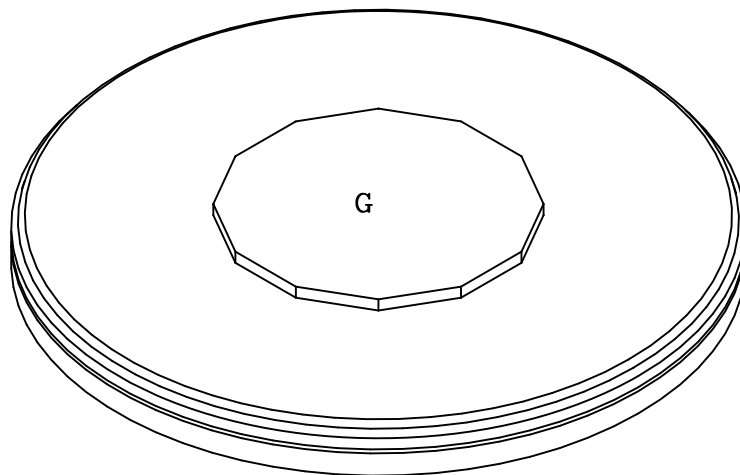
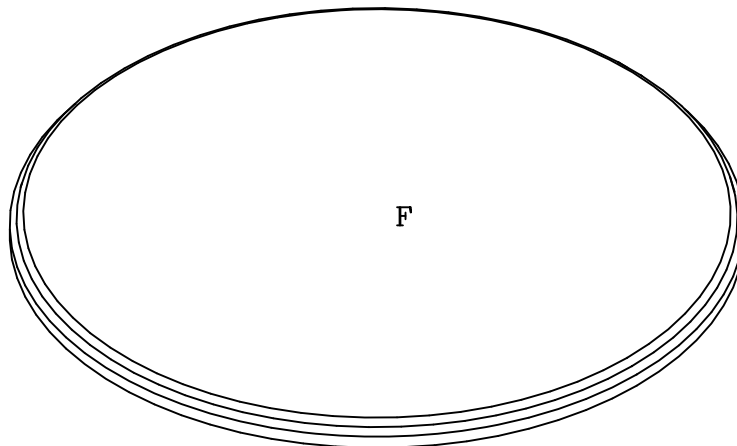
Rev. 4/16/10

Parts List

#	Qty.	Description
A	12	Racks- Left
B	12	Racks- Right
C	12	Slats
D	8	Rear Spacer Bars
E	48	Front Spacer Bars
F	1	Table Top
G	1	Carousel
*	1	screwdriver bit
*	26	1 5/8" #6 Screw
*	10	3/4" #6 Screw
*	4	2" Mending Plates
*	1	Bag of Nails

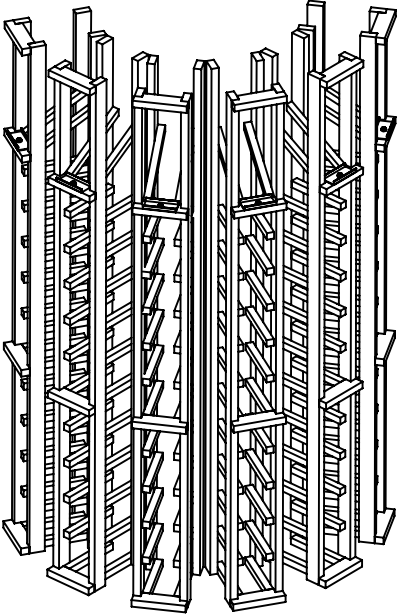


Note: 12 front spacer bars

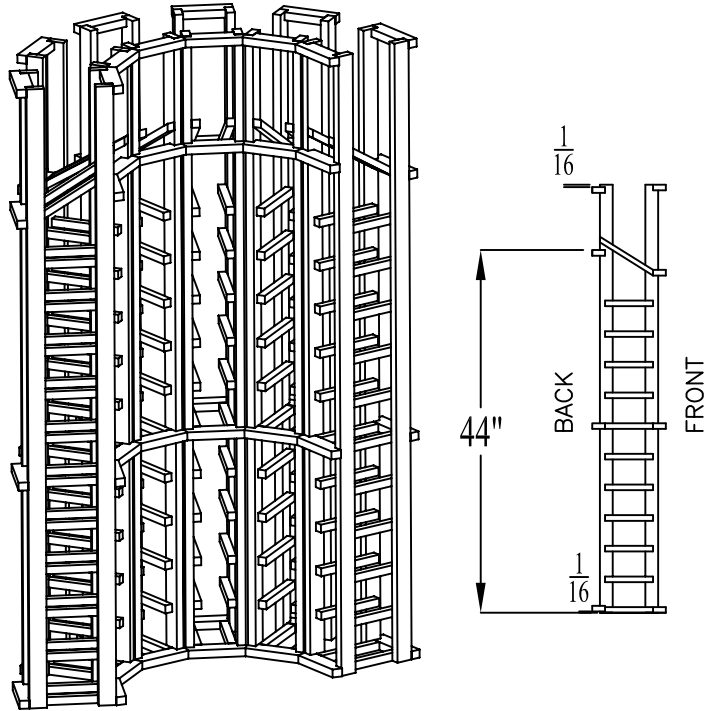


1. Attach (4) spacer bars to each column of racking with nails. Nail through each notch on spacer bars into posts with provided nails or with a brad nailer.

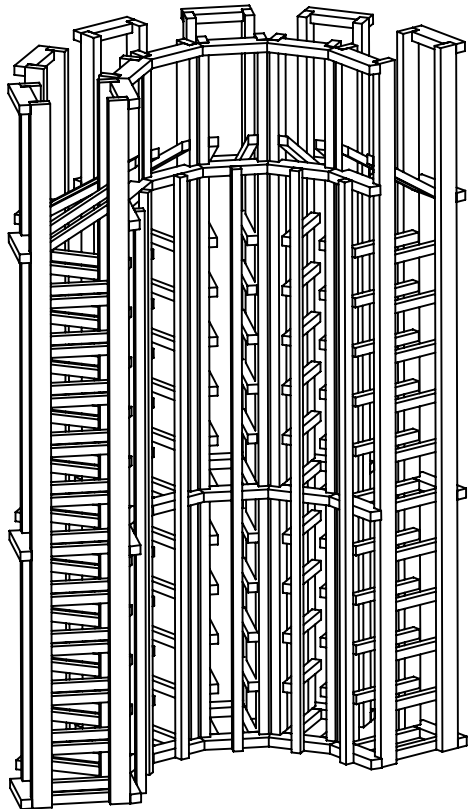
**** Optional pricetrack shown ****



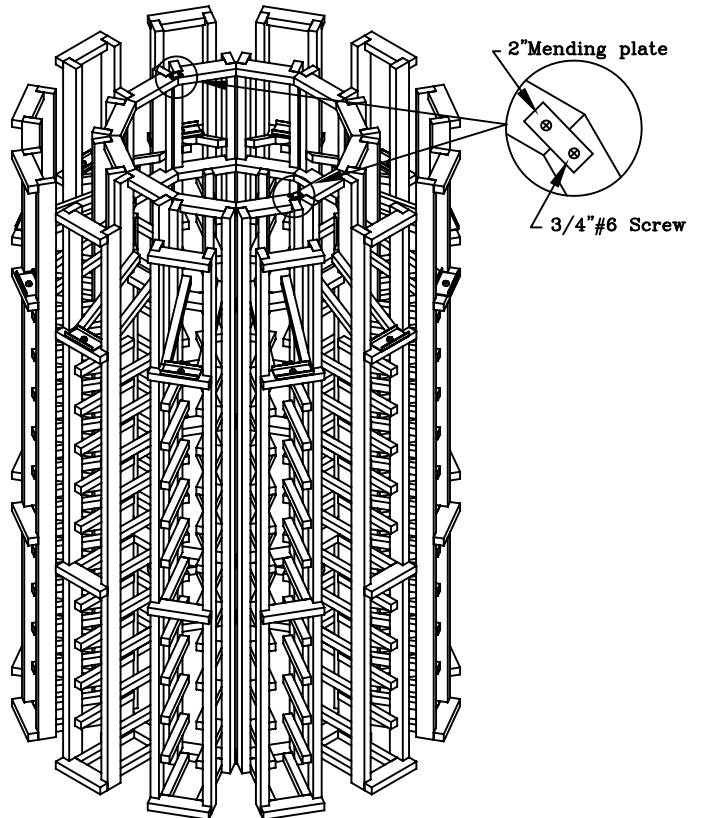
2. Attach (4) rear spacer bars to back of racks with nails.
NOTE: 2nd from top rear spacer bar must be attached 44" from ground to top of spacer bar.
NOTE: Top & bottom spacer bars should be attached 1/16" shy of the end of the post.



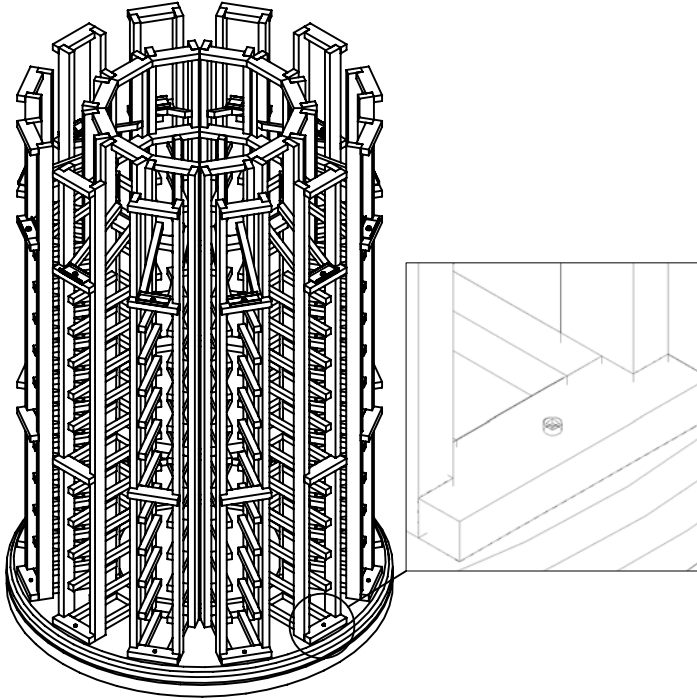
3. Nail (6) 44" slats (1 per column) to rear spacer bars.
Repeat steps 1-3 for remaining half of rack.



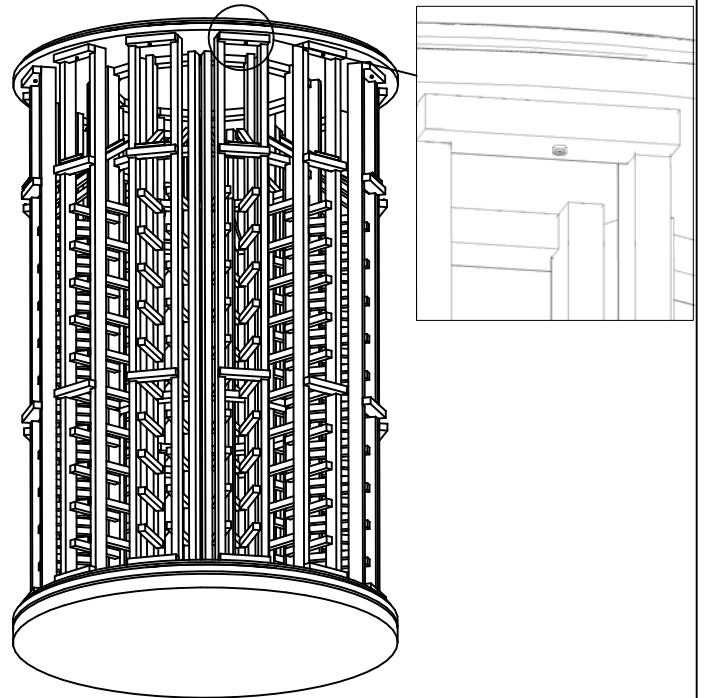
4. Connect the two halves together with 2" mending plates on the top & bottom spacer bars.



5. Lay carousel on floor and sit racking on top. Piece in center of carousel is permanent and used for centering the racking. Screw through each bottom, front spacer bar into the carousel with (1) 1 5/8" #6 screw.



6. Place Table top centered on top of racking. Screw through each top, front spacer bar into the table top with (1) 1 5/8" #6 screw in the same manner as step 5.



Wine Carousel
assembly now complete.

Always remove bottles before moving racks.