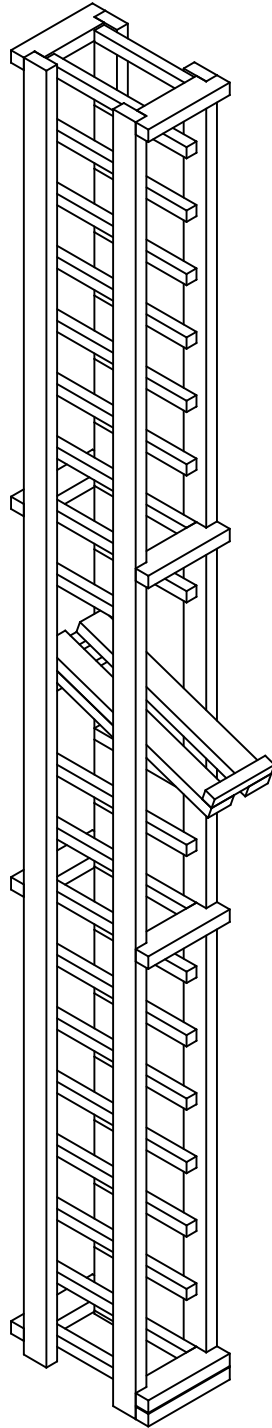


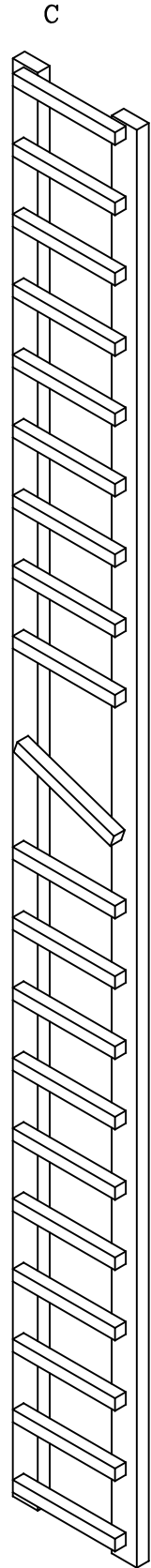
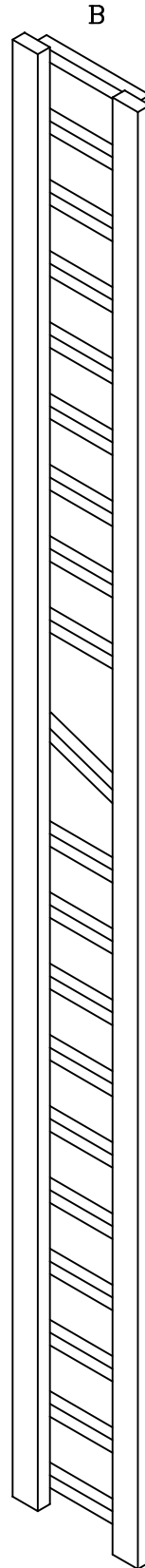
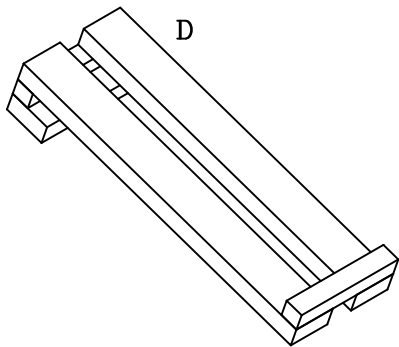
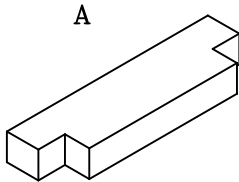
Manual refers to
R1DS & CP1DS



Wine Cellar Innovations
4575 Eastern Avenue
Cincinnati, Ohio 45226

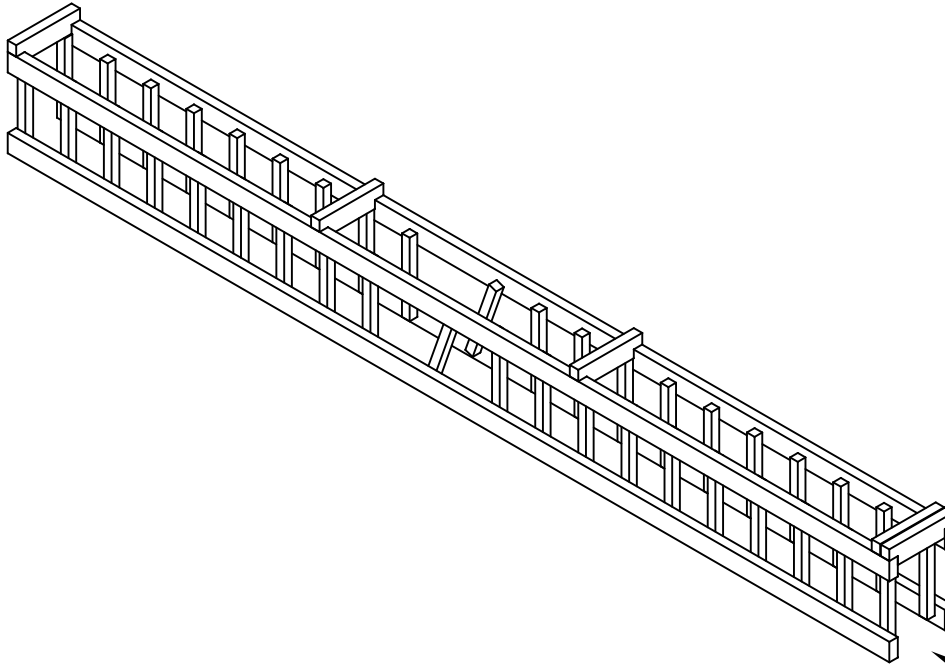
Phone: (800) 229-9813
Fax: (513) 979-5280
www.winecellarinnovations.com

#	Qty.	Description
A:	9	2 notch Spacer Bars
B:	1	Left Rack
C	1	Right Rack
D	1	Display Tray
*	1	Bag of nails
*	1	Hardware Pack containing 2 angle brackets 2 plastic anchors 2 1" #8 screws 2 3/4" #6 screws



Step 1:

Place 2 end racks on the ground facing up and attach 5 spacerbars to the racks with nails. This can be done with the provided nails or with a brad nailer.

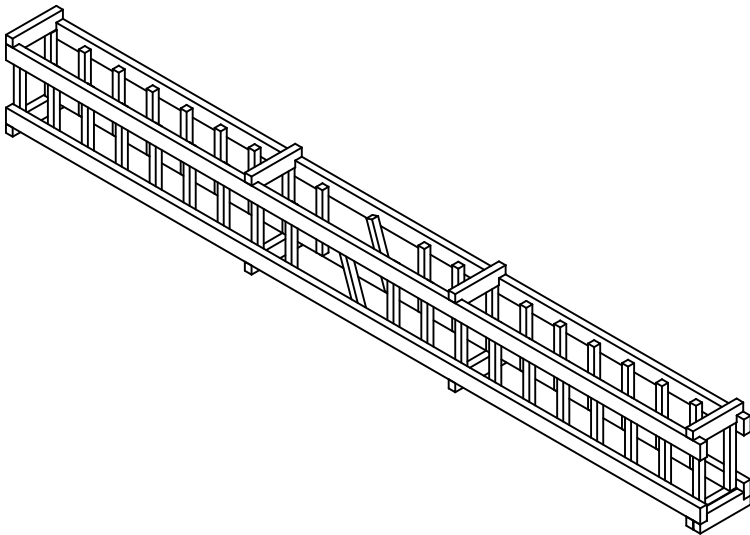


Note: 2 spacer bars are stacked on the bottom front.

Bottom has posts extending below the bottle rails.

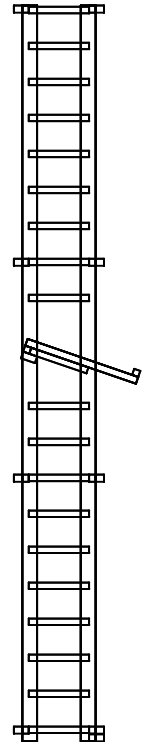
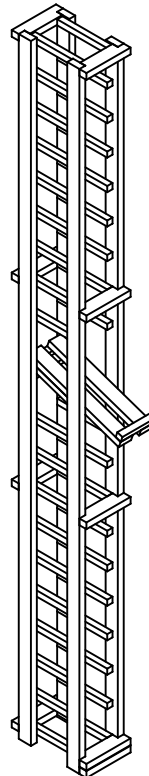
Step 2:

Flip rack over and nail the remaining 4 spacerbars to the racks in the same manner as step 1.



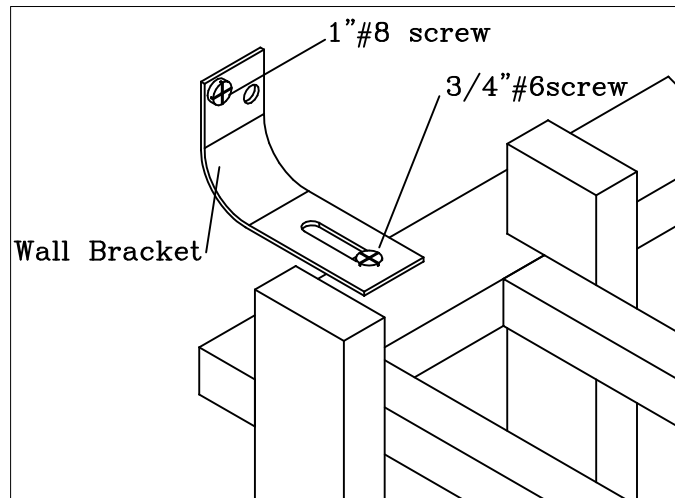
Step 3:

Insert display tray from the front of the rack. The back of the tray will slide over the back of the angled bottle rails attached to the racks.



Final Step

Securing to wall



Secure rack to wall by attaching wall brackets to top back spacer bar or solid top. You will have 1 bracket on the left and 1 on the right.

Wine Rack is Complete

Note: Always remove bottles before moving rack.